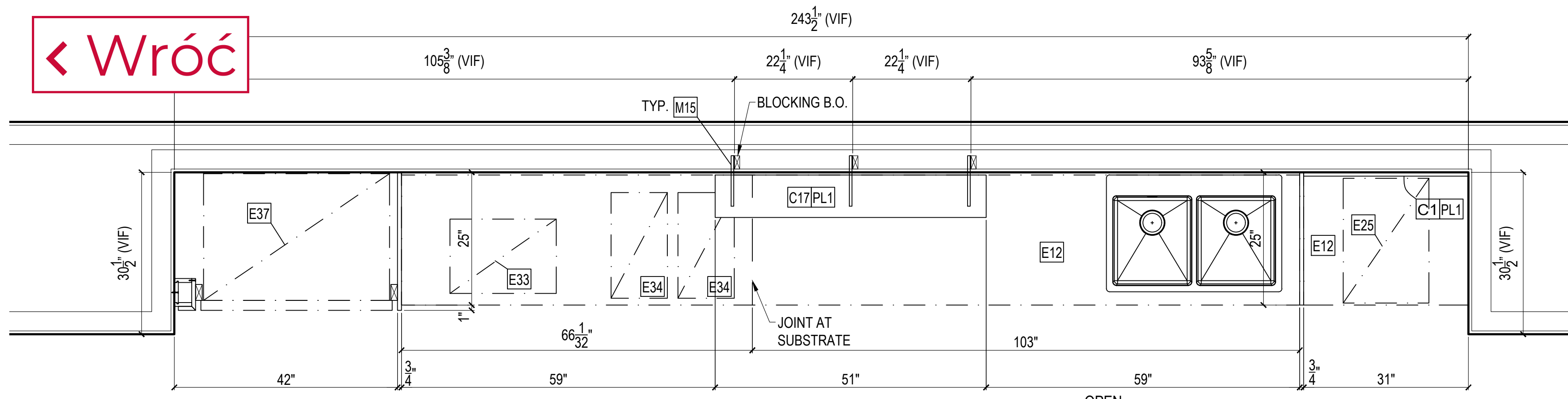
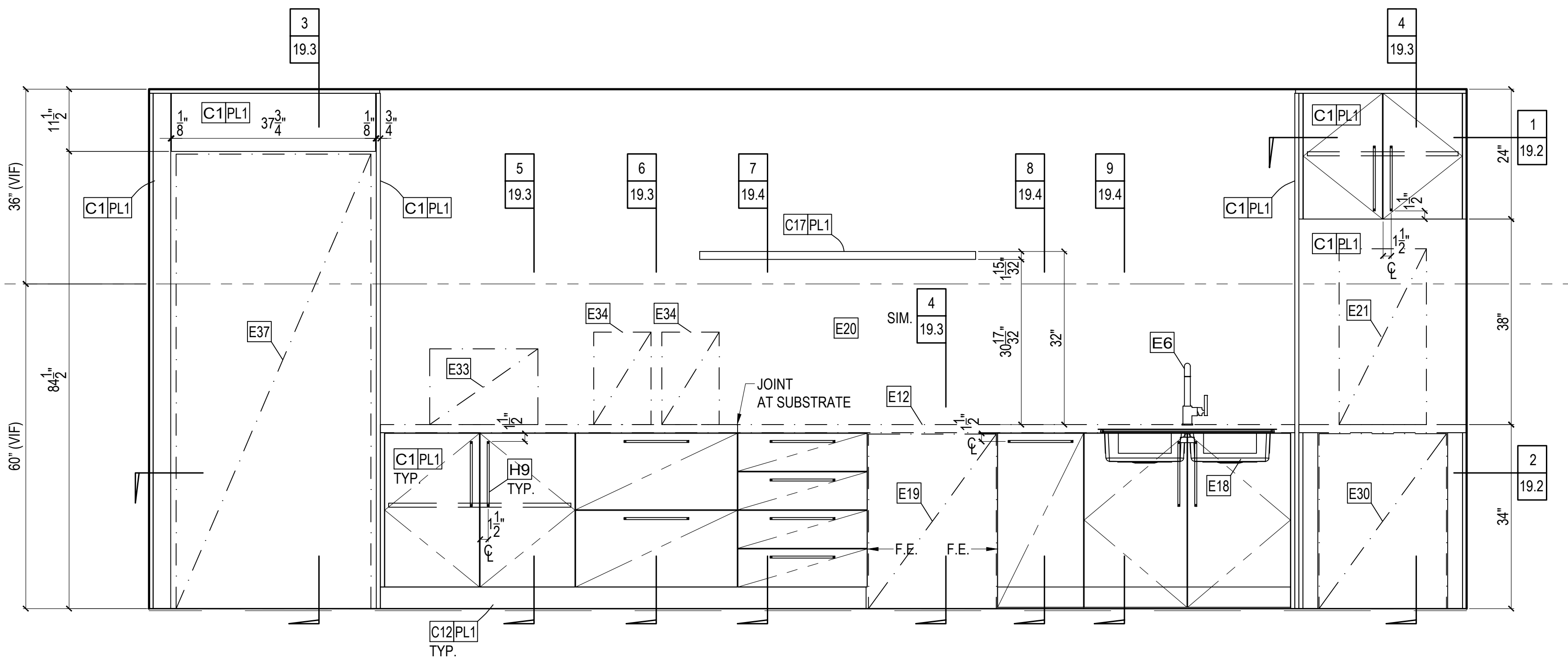


< Wróć



19 PLAN @ OPEN COLLABORATION #17G28
SCALE: 3/4"=1'-0" REF: A-217.00



A 19 ELEVATION @ OPEN COLLABORATION #17G28
SCALE: 3/4"=1'-0" REF: 1/A-861.00

ARCHITECT PLEASE VERIFY LOCATION OF PULLS

PLEASE VERIFY FINISH

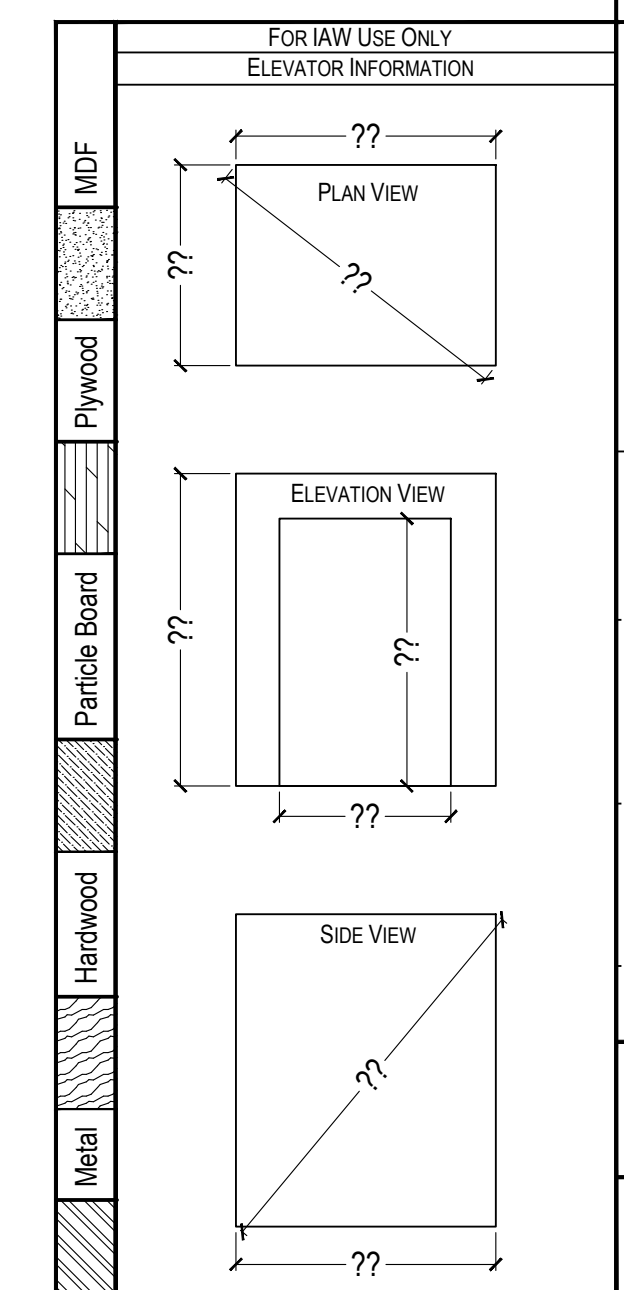
EQUIPMENT LIST:	
E6	Faucet MFR: Kohler MODEL# K-7505 FINISH: Polished Chrome D: _____ W: _____ H: 11-3/8"
E7	Waste Container MFR: Rubbermaid MODEL# 3540 Slim Jim FINISH: Gray D: 20" W: 11" H: 30"
E18	Double Undermount Sink MFR: Elkay MODEL# ECTSAD33226BG FINISH: D: 22" W: 33" H: 6"
E19	Undercounter Refrigerator-2 Drawer MFR: Summit Commercial MODEL# #SP6DS2D7ADA FINISH: Stainless Steel D: 23.88" W: 23.63" H: 32.25"
E21	Countertop Ice and Water Dispenser MFR: Follett MODEL# Symphony Plus 12 Series / C12C1425A-L FINISH: Stainless Steel D: 23.50" W: 16.12" H: 32.50"
E30	Undercounter Dishwasher MFR: Fisher Paykel MODEL# #DD24DAX9 FINISH: Stainless Steel D: 22 9/16" W: 23 9/16" H: 32 5/16" - 34 5/8"
E31	Waste Container MFR: MODEL# FINISH: D: _____ W: _____ H: _____
E33	Coffee Packet Dispenser MFR: The Coffee Shop Merchandiser MODEL# 3 Drawer Unit FINISH: D: _____ W: _____ H: _____
E34	Coffee Machine MFR: Flavia MODEL# C500 FINISH: D: 19.9" W: 10.6" H: 17.1"
E35	Light Fixture MFR: MODEL# FINISH: D: _____ W: _____ H: _____
E37	Refrigerator with Bottom Freezer MFR: GE Monogram MODEL# ZICS360NHLH FINISH: Stainless Steel D: 25 3/4" W: 36" H: 84"

ARCHITECT PLEASE PROVIDE APPROVED EQUIPMENT LIST FOR COORDINATION

ARCHITECT PLEASE VERIFY INTERIOR FINISH.

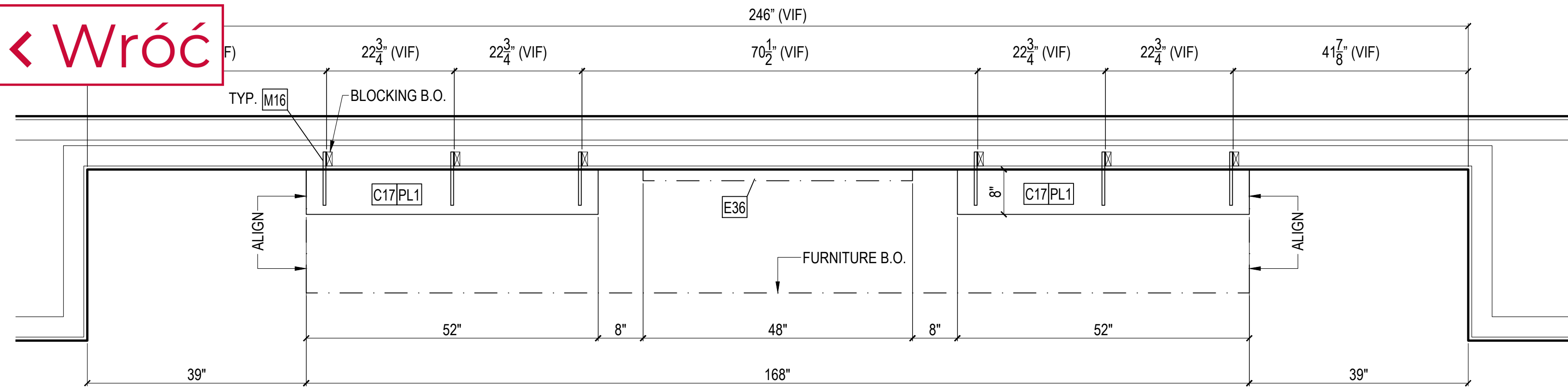
ARCHITECT PLEASE SPECIFY MODEL AND MANUFACTURER OF PULL.

MATERIAL DESCRIPTIONS:			
FINISH / WOOD SPECIES:			
WD1	-		
-	-		
-	-		
-	-		
-	-		
PLASTIC LAMINATE:			
PL1	Formica #2297-PX "Terri" Plex Finish		
-	-		
-	-		
CORES / SUBSTRATES:			
C1	1 1/2 PB		
C3	3 4/8 White Melamine		
C4	1 2/8 White Melamine		
C6	1 2/8 Plywood PF Maple		
C7	1 2/8 Medex		
C8	3 4/8 Medex		
C9	3 4/8 Plywood		
C12	1 4/8 Medex		
C13	3 4/8 Plywood PF Maple		
C17	1 2/8 PB		
-	-		
SOLID HARDWOOD:			
S1	-		
-	-		
-	-		
-	-		
-	-		
DOOR SLAB ASSEMBLY:			
DS1	-		
-	-		
-	-		
-	-		
-	-		
OTHER MATERIAL (PVC, GLASS, STONE, METAL):			
M1	Alum. Angle		
M3	PVC Edge To Match PL1 (EdgeCo if Available)		
M15	Shell Outrigger		
M16	Double Shell Outrigger		
-	-		
-	-		
HARDWARE:			
H1	Salice #C2R9A99 (120") S/C Hinge	FINISH:	QTY:
H2	Salice #C2R9A99 (94") S/C Hinge	-	10
H3	Salice #D2VX09 (Soft Close Adapter Plate)	-	2
H4	Salice #D0S8SNG (Soft Close Hinge Clip)	-	6
H5	Salice #BARGR0916 (Omni) Hinge Plate	-	6
H6	Accuride #3832 (20" Drawer Slide)	-	12
H7A	Accuride #3840 (22" Drawer Slide)	-	4 Pairs
H7B	5mm Dia. Shelf Pins US 26	-	4 Pairs
H8	5mm Dia. Shelf Pins US 26	-	8
H9	Cabinet Pull	-	13
H13	Small Waste Container	-	1
H99	Rev-A-Shelf RV-50-8 (50 Quart Trash Bin)	White	1
BY OTHERS / EXCLUSIONS:			
E1	Slab, Floor, Wall, Ceiling	E21	Ice and Water Dispenser
E6	Faucet	E30	UC Dishwasher
E7	Waste Container	E31	Waste Container
E12	Ice Stone	E33	Coffee Packet Dispenser
E18	Sink	E34	Coffee Machine
E19	UC Refrigerator	E35	Light Fixture
E20	Tiles	E37	Refrigerator w/ Bottom Freezer
STAMP:			
DATE:	ISSUED FOR:	BY:	
3.27.18	Approval		PD
-	-	-	-
-	-	-	-
-	-	-	-
-	-	-	-



ITEM NUMBER:	19
JOB NUMBER:	DRAWING NO. 19

< Wróć



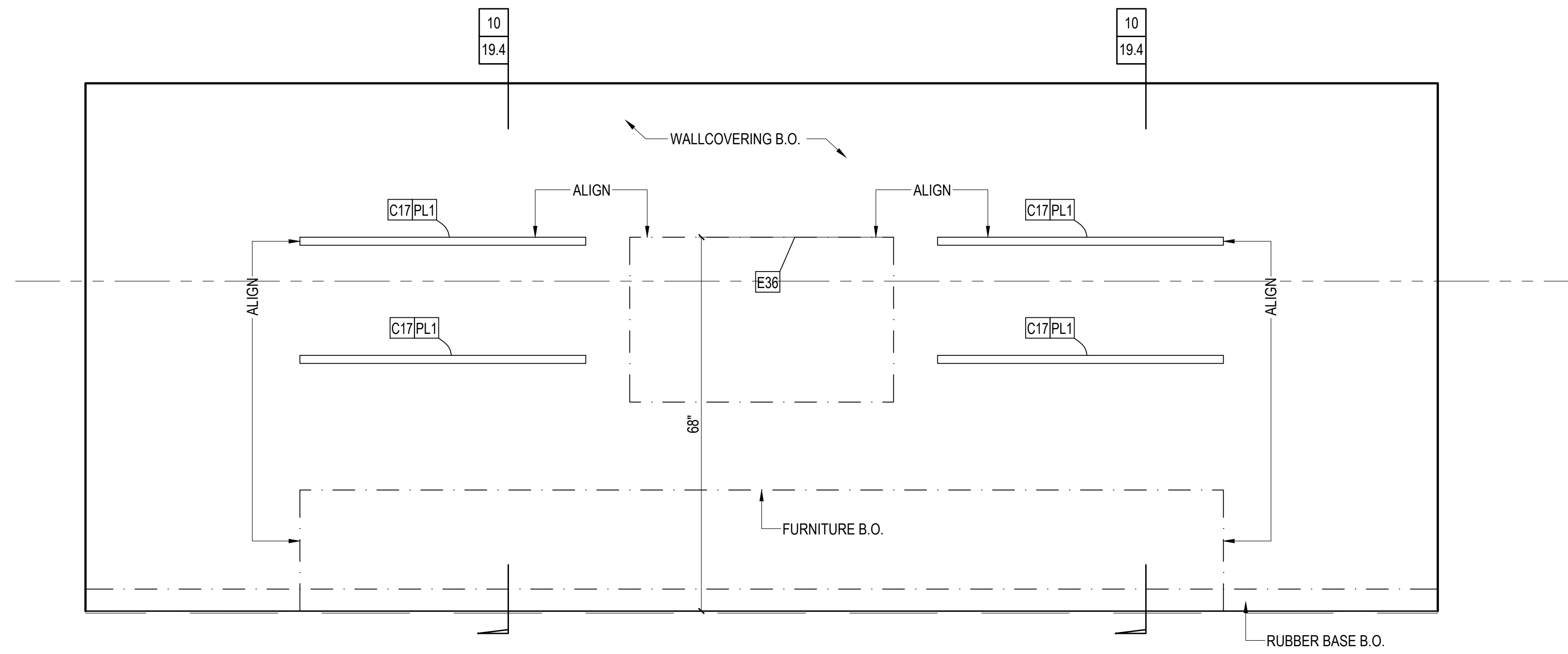
19A
19.1
PLAN @ OPEN COLLABORATION #17G28
 SCALE: 3/4"=1'-0" REF: A-217.00

B
 19.1

OPEN COLLABORATION
 17G28

ALL DIMENSIONS TO BE COORDINATED WITH MONITOR B.O. (E36) AND FURNITURE B.O. PRIOR TO FABRICATION

ARCHITECT/G.C. TO COORDINATE



B
19.1
ELEVATION @ OPEN COLLABORATION #17G28
 SCALE: 3/4"=1'-0" REF: 1/A-861.00

LEED FSC NAUF FIRE RATED

MATERIAL DESCRIPTIONS:

FINISH / WOOD SPECIES:

WD1	-
-	-
-	-
-	-
-	-
-	-

PLASTIC LAMINATE:

PL1	Formica #2297-PX "Terri" Plex Finish
-	-
-	-

CORES / SUBSTRATES:

C1	11_16PB
C3	3_4White Melamine
C4	1_2White Melamine
C6	1_2Plywood PF Maple
C7	1_2Medex
C8	3_4Medex
C9	3_4Plywood
C12	1_4Medex
C13	3_4Plywood PF Maple
C17	1_2PB
-	-
-	-

SOLID HARDWOOD:

S1	-
-	-
-	-
-	-
-	-

DOOR SLAB ASSEMBLY:

DS1	-
-	-
-	-
-	-

OTHER MATERIAL (PVC, GLASS, STONE, METAL):

M1	Alum. Angle
M3	PVC Edge To Match PL1 (EdgeCo if Available)
M15	Shelf Outrigger
M16	Double Shelf Outrigger
-	-
-	-

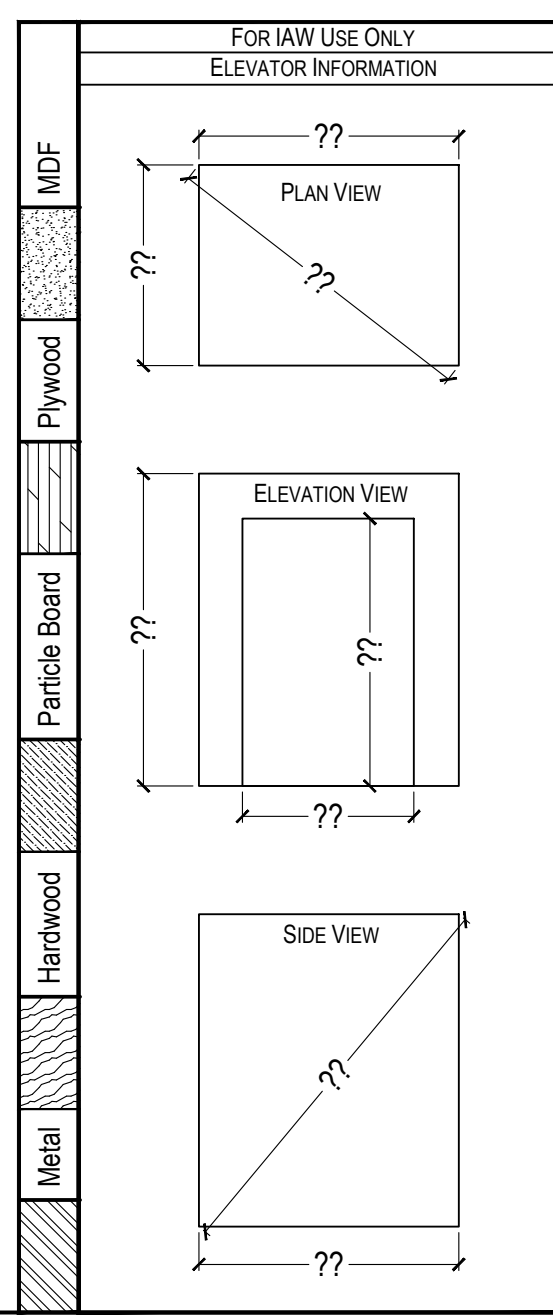
HARDWARE:		FINISH:	QTY:
H1	Salice #C2R9A99 (120") S/C Hinge	-	10
H2	Salice #C2RBA99 (94") S/C Hinge	-	2
H3	Salice #D2VX09 (Soft Close Adapter Plate)	-	6
H4	Salice #D0S8SNG (Soft Close Hinge Clip)	-	6
H5	Salice #BARGR0916 (Omm) Hinge Plate	-	12
H6	Accuride #3832 (20" Drawer Slide)	-	4 Pairs
H7A	Accuride #3840 (22" Drawer Slide)	-	4 Pairs
H8	5mm Dia. Shelf Pins, US 26	-	8
H9	Cabinet Pull	-	13
H13	Small Waste Container	-	1
H99	Rev-A-Shelf RV-50-8 (50 Quart Trash Bin)	White	1

BY OTHERS / EXCLUSIONS:

E1	Slab, Floor, Wall, Ceiling	E21	Ice and Water Dispenser
E6	Faucet	E30	UC Dishwasher
E7	Waste Container	E31	Waste Container
E12	Ice Stone	E33	Coffee Packet Dispenser
E18	Sink	E34	Coffee Machine
E19	UC Refrigerator	E35	Light Fixture
E20	Tiles	E37	Refrigerator w/ Bottom Freezer

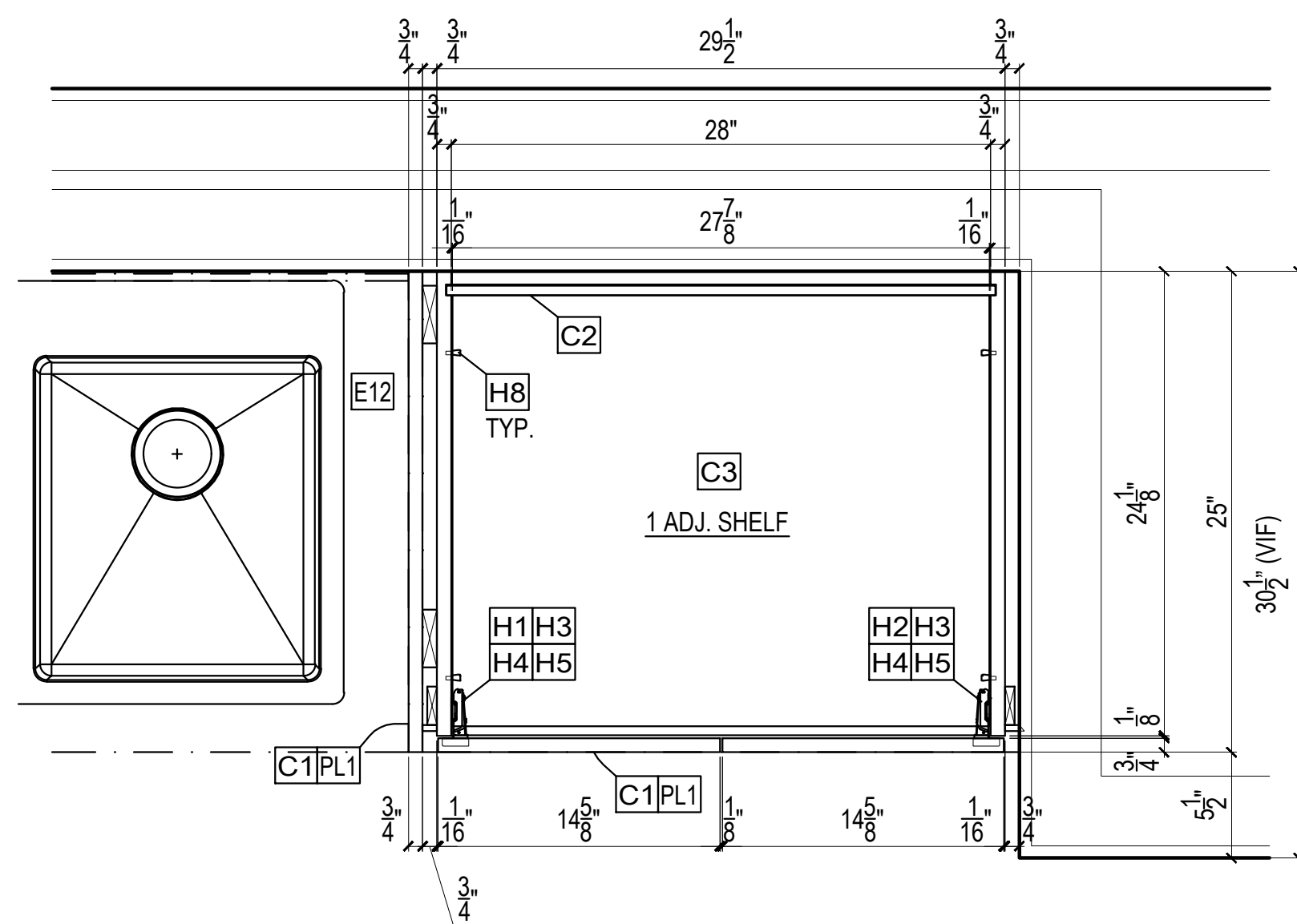
STAMP:

DATE:	ISSUED FOR:	BY:
3.27.18	Approval	PD
-	-	-
-	-	-
-	-	-



ITEM NUMBER:	
19	
JOB NUMBER:	DRAWING NO.
	19.1

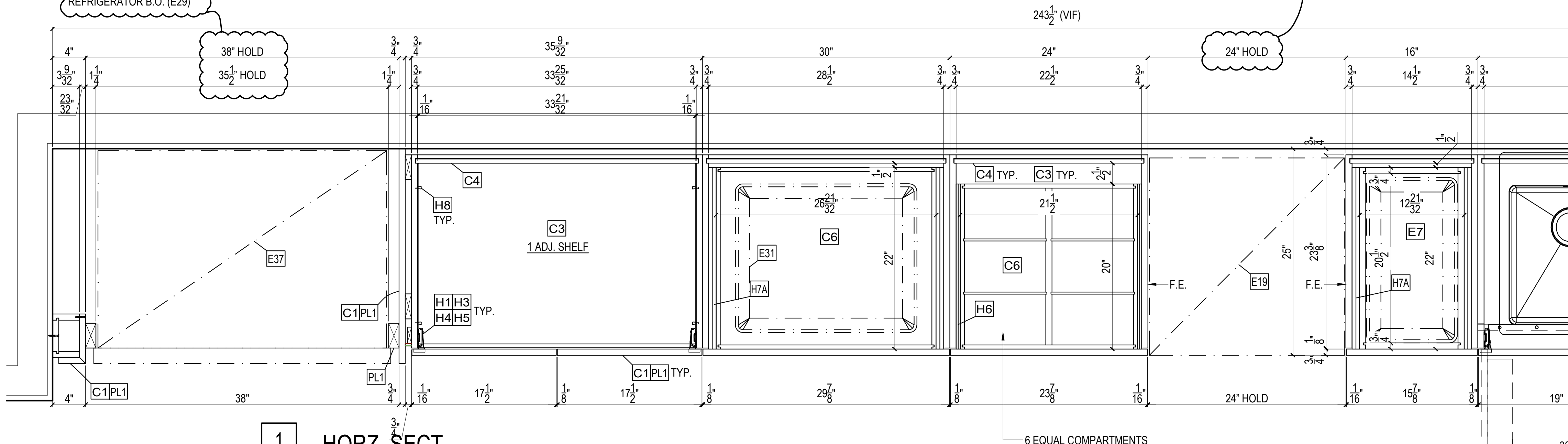
< Wróć



1
19.2
HORZ. SECT.
SCALE: 1-1/2"=1'-0" REF: N/A

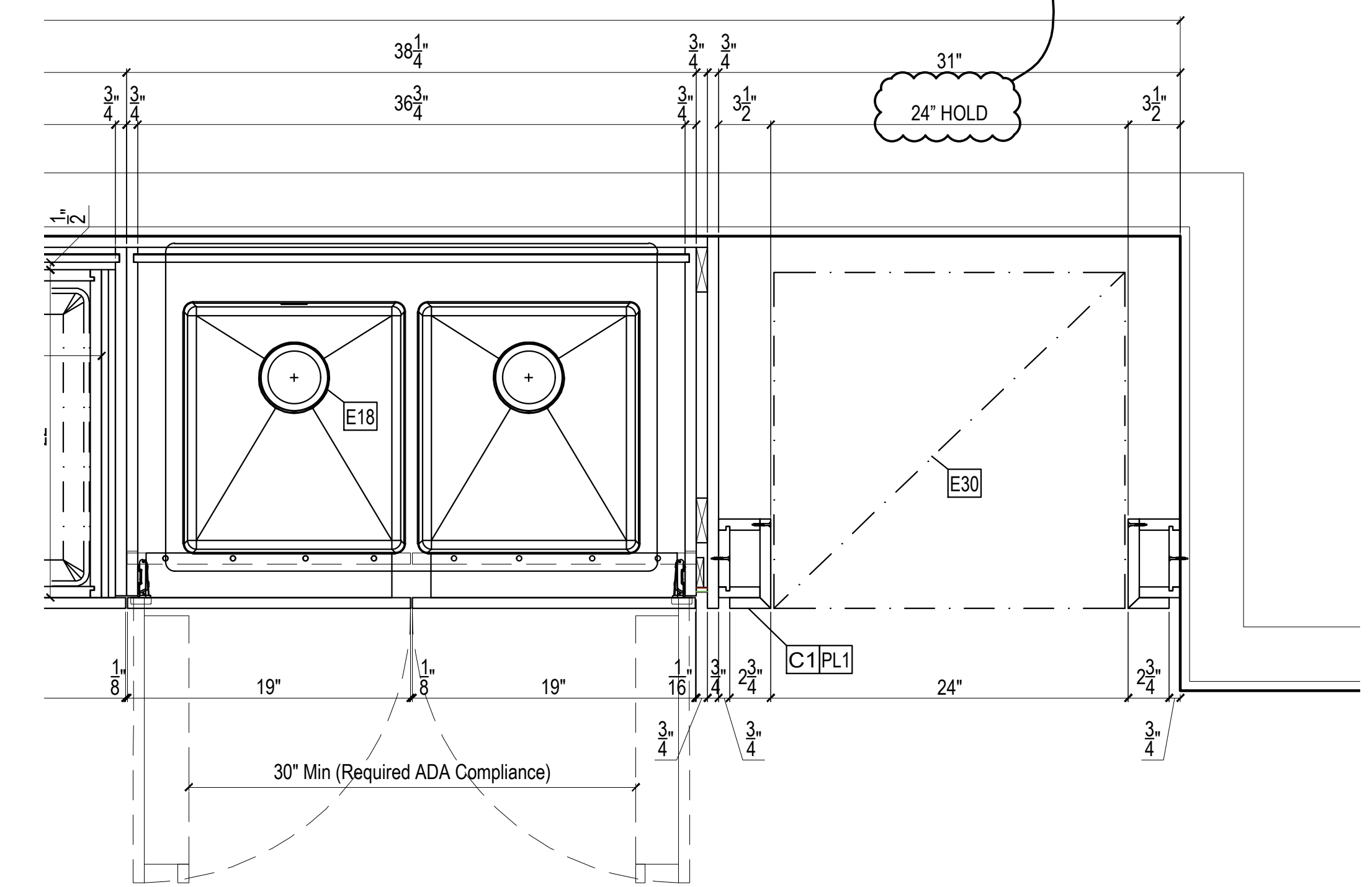
TO BE COORDINATED WITH REFRIGERATOR B.O. (E29)

TO BE COORDINATED WITH UC REFRIGERATOR B.O. (E19)

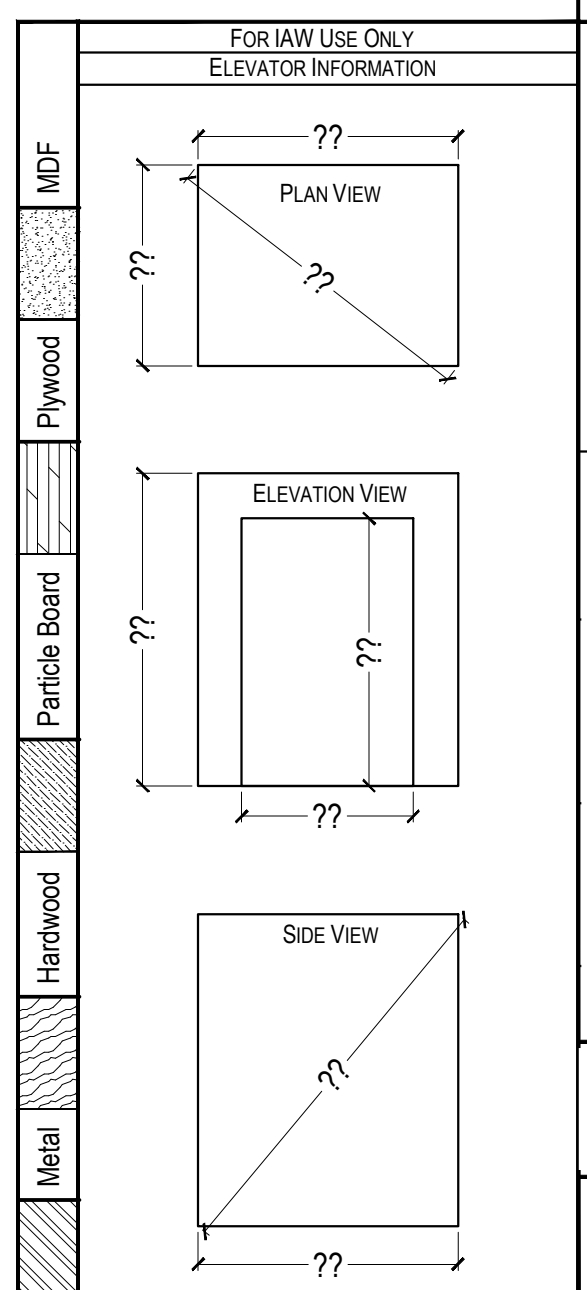


1
19.2
HORZ. SECT.
SCALE: 1-1/2"=1'-0" REF: N/A

TO BE COORDINATED WITH DISHWASHER B.O. (E30)

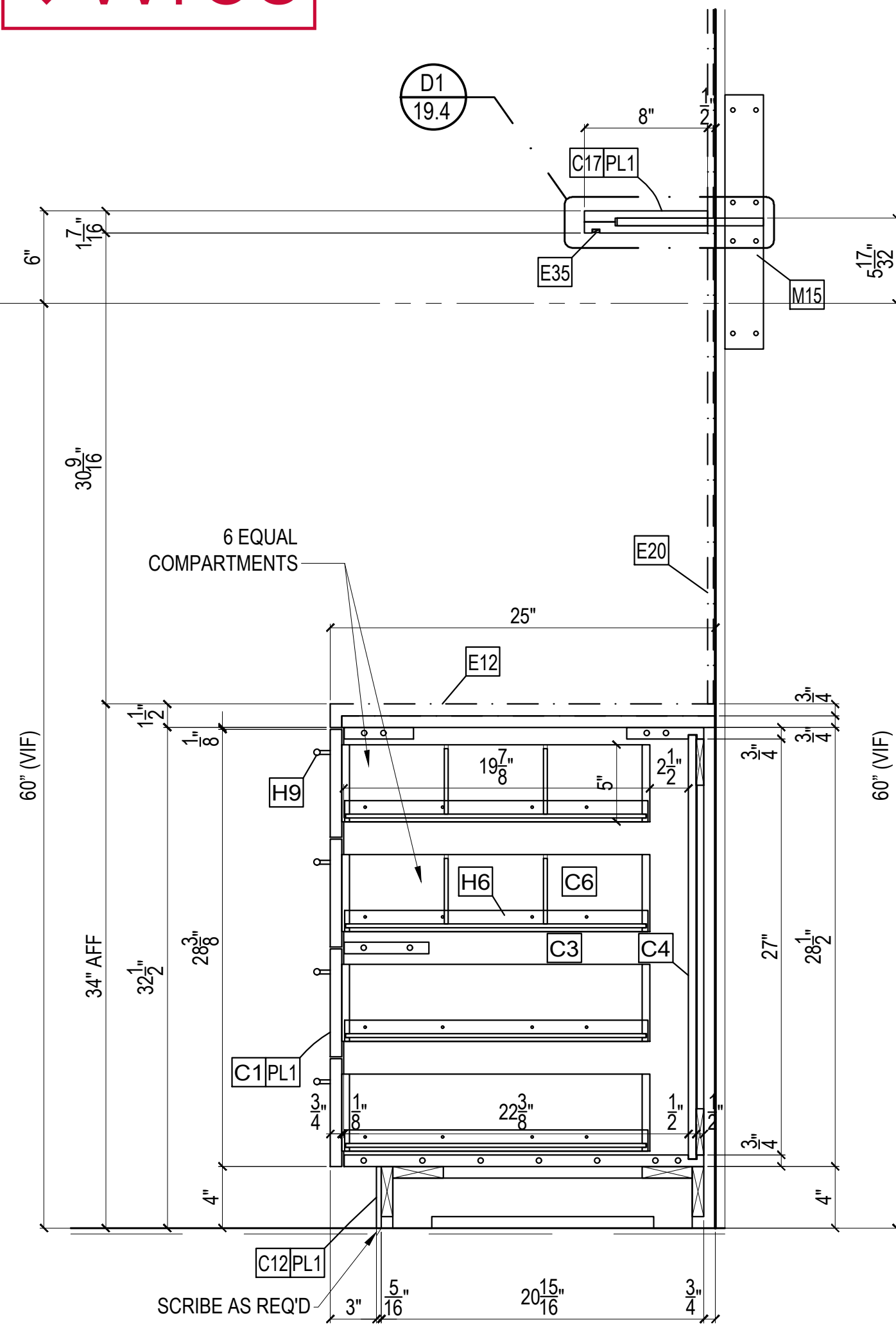


<input type="checkbox"/> LEED	<input type="checkbox"/> FSC	<input type="checkbox"/> NAUF	<input type="checkbox"/> FIRE RATED
MATERIAL DESCRIPTIONS:			
FINISH / WOOD SPECIES:			
WD1	-	-	-
-	-	-	-
-	-	-	-
-	-	-	-
-	-	-	-
PLASTIC LAMINATE:			
PL1	Formica #2297-PX "Terri" Plex Finish	-	-
-	-	-	-
CORES / SUBSTRATES:			
C1	1/2 PB	-	-
C3	3/4 White Melamine	-	-
C4	1/2 White Melamine	-	-
C6	1/2 Plywood PF Maple	-	-
C7	1/2 Medex	-	-
C8	3/4 Medex	-	-
C9	3/4 Plywood	-	-
C12	1/4 Medex	-	-
C13	3/4 Plywood PF Maple	-	-
C17	1/2 PB	-	-
-	-	-	-
SOLID HARDWOOD:			
S1	-	-	-
-	-	-	-
-	-	-	-
-	-	-	-
-	-	-	-
DOOR SLAB ASSEMBLY:			
DS1	-	-	-
-	-	-	-
-	-	-	-
-	-	-	-
OTHER MATERIAL (PVC, GLASS, STONE, METAL):			
M1	Alum. Angle	-	-
M3	PVC Edge To Match PL1 (EdgeCo if Available)	-	-
M15	Shelf Outtrigger	-	-
M16	Double Shelf Outtrigger	-	-
-	-	-	-
HARDWARE:			
H1	Salice #C2R9A99 (120°) S/C Hinge	-	10
H2	Salice #C2RBA99 (94°) S/C Hinge	-	2
H3	Salice #D2VX09 (Soft Close Adapter Plate)	-	6
H4	Salice #D0S8SNG (Soft Close Hinge Clip)	-	6
H5	Salice #BARGR0916 (Omm) Hinge Plate	-	12
H6	Accuride #3832 (20" Drawer Slide)	-	4 Pairs
H7A	Accuride #3840 (22" Drawer Slide)	-	4 Pairs
H8	5mm Dia. Shelf Pins, US 26	-	8
H9	Cabinet Pull	-	13
H13	Small Waste Container	-	1
H99	Rev-A-Shelf RV-50-8 (50 Quart Trash Bin)	White	1
BY OTHERS / EXCLUSIONS:			
E1	Slab, Floor, Wall, Ceiling	E21	Ice and Water Dispenser
E6	Faucet	E30	UC Dishwasher
E7	Waste Container	E31	Waste Container
E12	Ice Stone	E33	Coffee Packet Dispenser
E18	Sink	E34	Coffee Machine
E19	UC Refrigerator	E35	Light Fixture
E20	Tiles	E37	Refrigerator w/ Bottom Freezer
STAMP:			
DATE:	ISSUED FOR:	BY:	
3.27.18	Approval	PD	
-	-	-	-
-	-	-	-
-	-	-	-

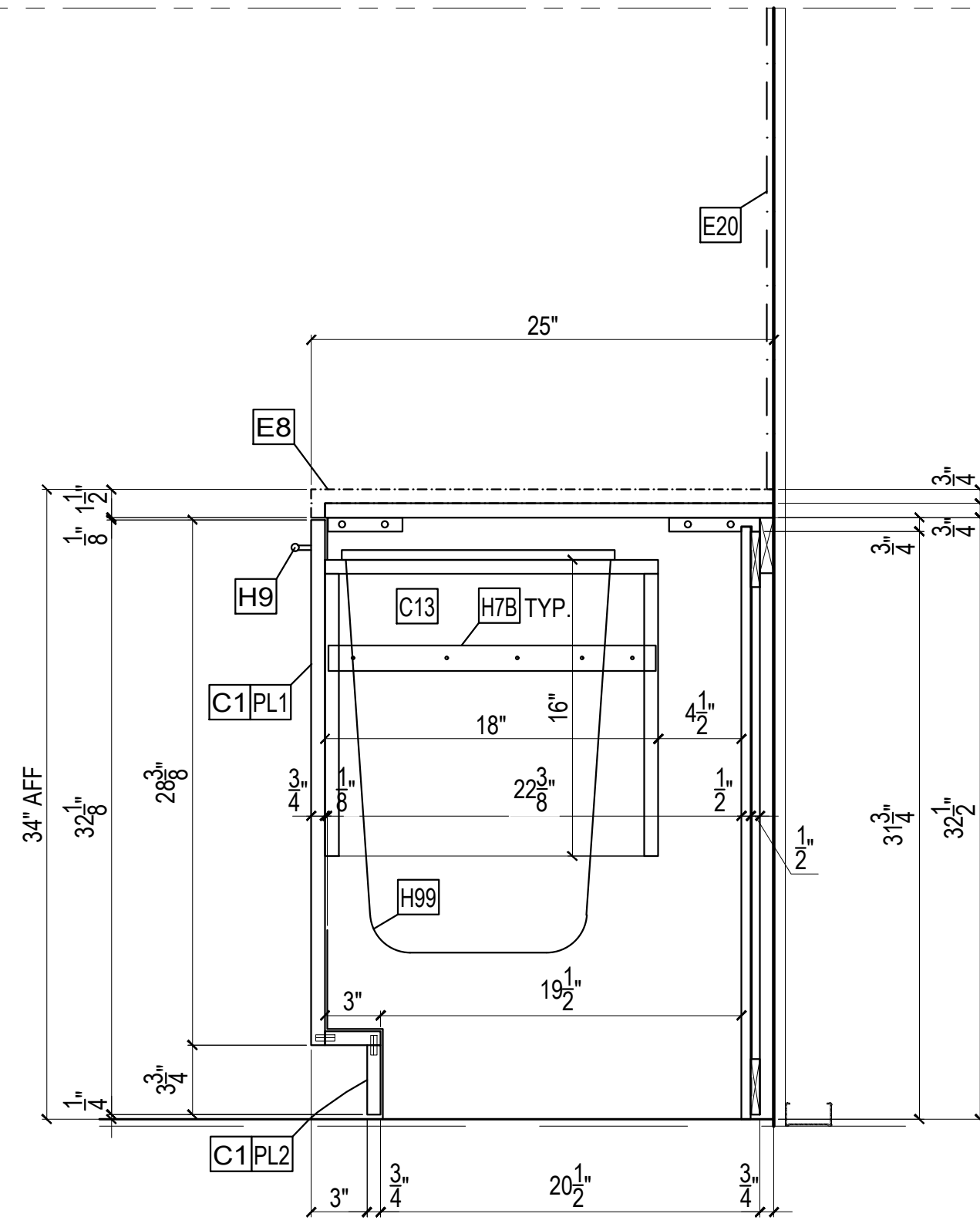


FOR LAW USE ONLY ELEVATOR INFORMATION	ITEM NUMBER: 19
JOB NUMBER:	DRAWING NO. 19.2

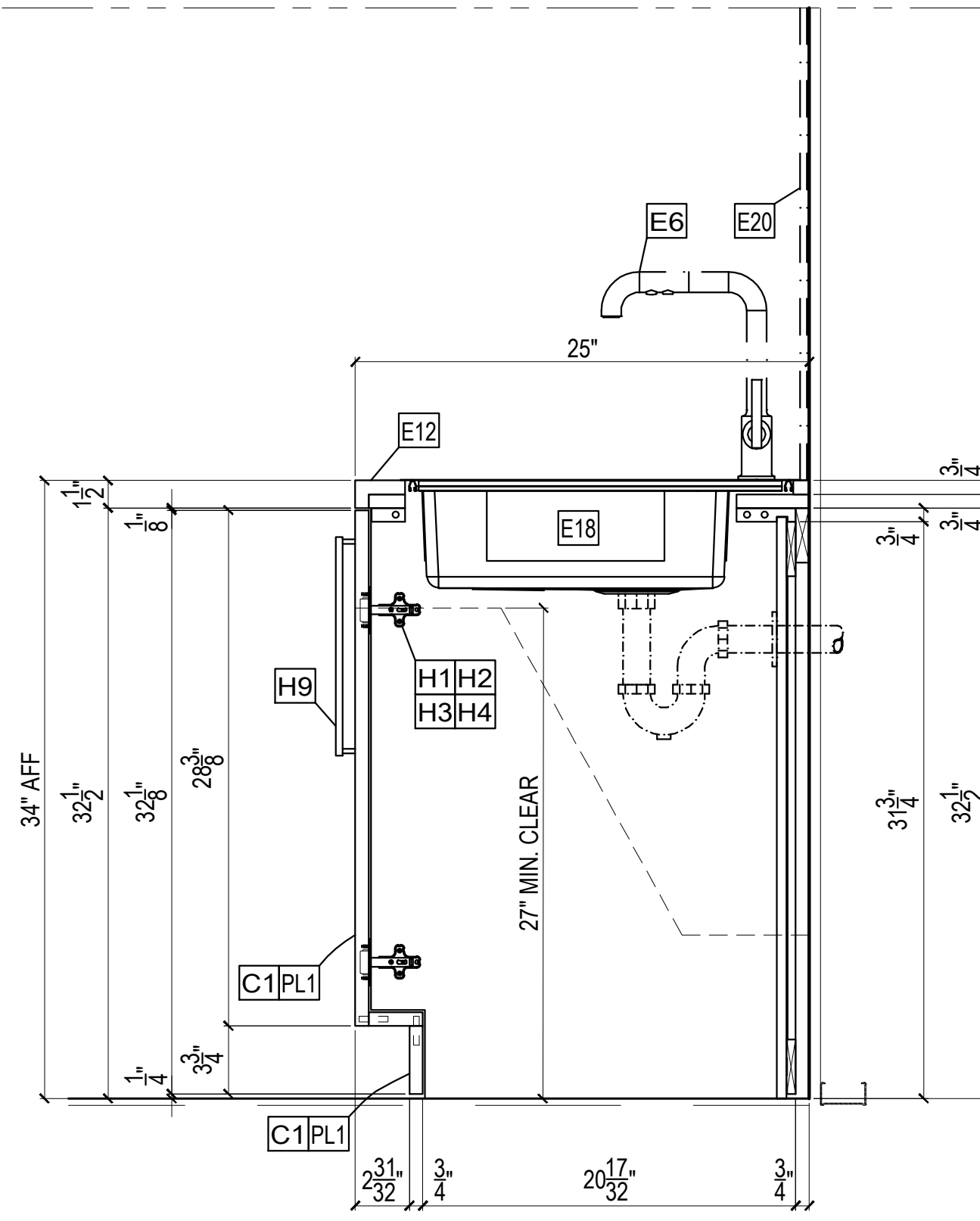
< Wróć



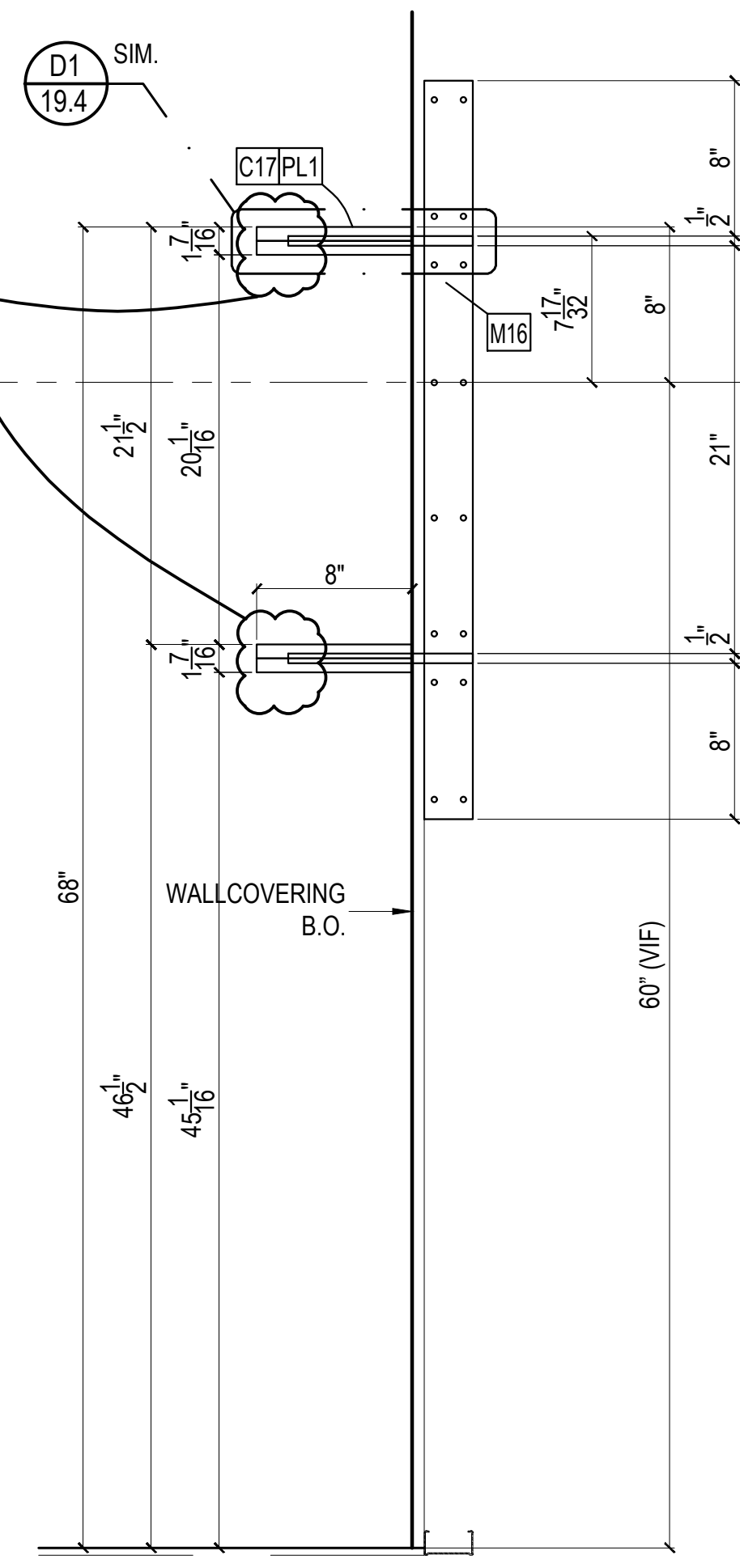
7 VERT. SECT.
19.4 SCALE: 1-1/2"=1'-0" REF: 3/A-961.00



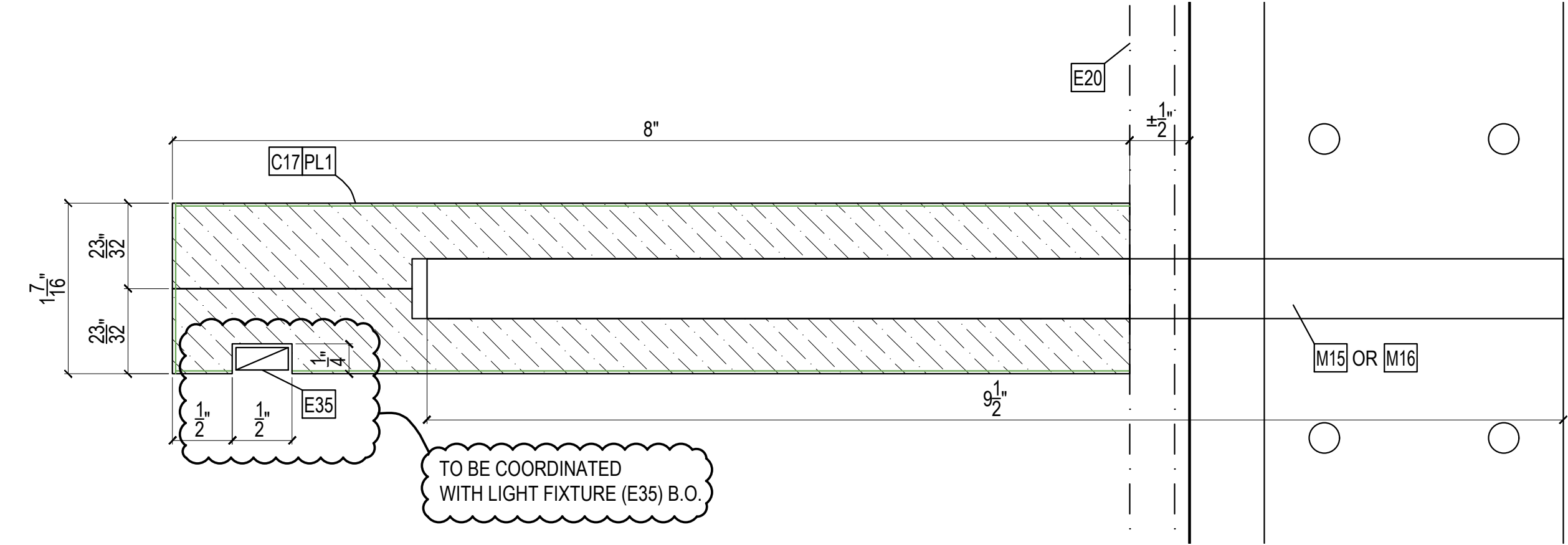
8 VERT. SECT.
19.4 SCALE: 1-1/2"=1'-0" REF: 4/A-961.00



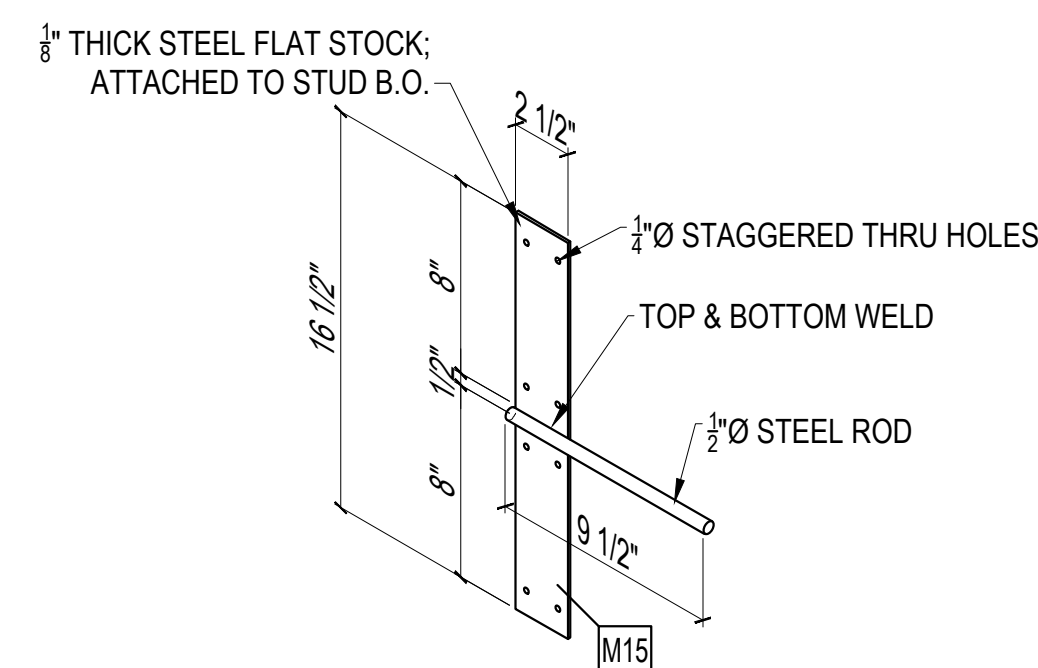
9 VERT. SECT.
19.4 SCALE: 1-1/2"=1'-0" REF: 5/A-961.00



10 VERT. SECT.
19.4 SCALE: 1-1/2"=1'-0" REF: 6/A-962.00

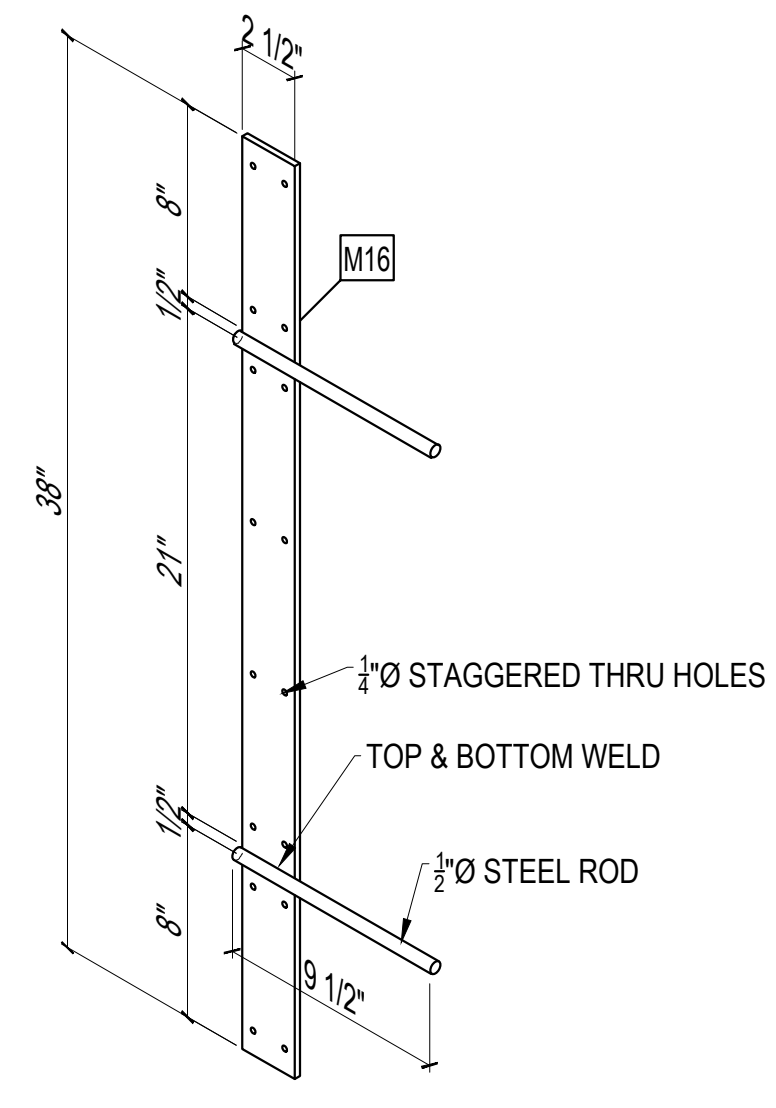


D1 DETAIL
19.4 SCALE: 1'-0"=1'-0" REF: N/A



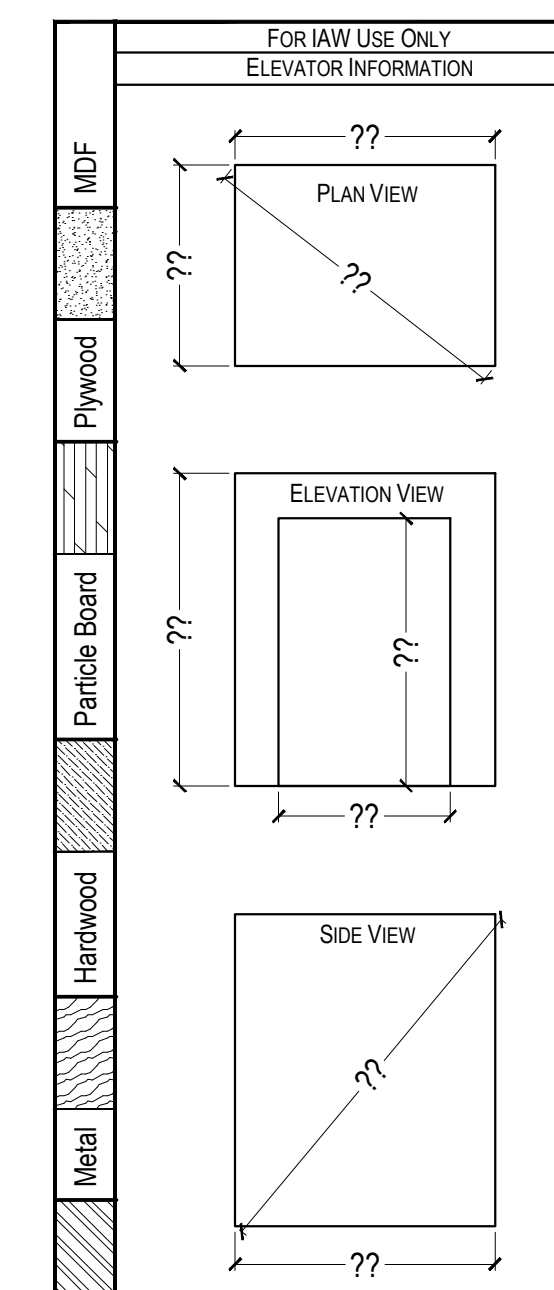
D2 ISO.
19.4 SCALE: 1'-0"=1'-0" REF: N/A

QTY = 3 AS SHOWN



D3 ISO.
19.4 SCALE: 1'-0"=1'-0" REF: N/A

QTY = 6 AS SHOWN



<input type="checkbox"/> LEED	<input type="checkbox"/> FSC	<input type="checkbox"/> NAUF	<input type="checkbox"/> FIRE RATED
MATERIAL DESCRIPTIONS:			
FINISH / WOOD SPECIES:			
WD1	-	-	-
-	-	-	-
-	-	-	-
-	-	-	-
-	-	-	-
PLASTIC LAMINATE:			
PL1	Formica #2297-PX "Terri" Plex Finish	-	-
-	-	-	-
CORES / SUBSTRATES:			
C1	1/4" PB	-	-
C3	3/4" White Melamine	-	-
C4	1/2" White Melamine	-	-
C6	1/2" Plywood PF Maple	-	-
C7	1/2" Medex	-	-
C8	3/4" Medex	-	-
C9	3/4" Plywood	-	-
C12	1/4" Medex	-	-
C13	3/4" Plywood PF Maple	-	-
C17	1/2" PB	-	-
-	-	-	-
SOLID HARDWOOD:			
S1	-	-	-
-	-	-	-
-	-	-	-
-	-	-	-
DOOR SLAB ASSEMBLY:			
DS1	-	-	-
-	-	-	-
-	-	-	-
-	-	-	-
OTHER MATERIAL (PVC, GLASS, STONE, METAL):			
M1	Alum. Angle	-	-
M3	PVC Edge To Match PL1 (EdgeCo if Available)	-	-
M15	Shell Outrigger	-	-
M16	Double Shell Outrigger	-	-
-	-	-	-
HARDWARE:			
H1	Salice #C2R9A99 (120") S/C Hinge	-	10
H2	Salice #C2RBA99 (94") S/C Hinge	-	2
H3	Salice #D2VX09 (Soft Close Adapter Plate)	-	6
H4	Salice #DOS8SNG (Soft Close Hinge Clip)	-	6
H5	Salice #BARGR0916 (0mm) Hinge Plate	-	12
H6	Accuride #3832 (20" Drawer Slide)	-	4 Pairs
H7A	Accuride #3840 (22" Drawer Slide)	-	4 Pairs
H8	5mm Dia. Shelf Pins, US 26	-	8
H9	Cabinet Pull	-	13
H13	Small Waste Container	-	1
H99	Rev-A-Shelf RV-50-8 (50 Quart Trash Bin)	White	1
BY OTHERS / EXCLUSIONS:			
E1	Slab, Floor, Wall, Ceiling	E21	Ice and Water Dispenser
E6	Faucet	E30	UC Dishwasher
E7	Waste Container	E31	Waste Container
E12	Ice Stone	E33	Coffee Packet Dispenser
E18	Sink	E34	Coffee Machine
E19	UC Refrigerator	E35	Light Fixture
E20	Tiles	E37	Refrigerator w/ Bottom Freezer
STAMP:			
DATE:	ISSUED FOR:	BY:	
3.27.18	Approval	PD	
-	-	-	-
-	-	-	-
-	-	-	-

DATE:	ISSUED FOR:	BY:
3.27.18	Approval	PD
-	-	-
-	-	-
-	-	-

FOR LAW USE ONLY ELEVATOR INFORMATION	
PLAN VIEW	??
ELEVATION VIEW	??
SIDE VIEW	??

ITEM NUMBER:	19
JOB NUMBER:	19.4