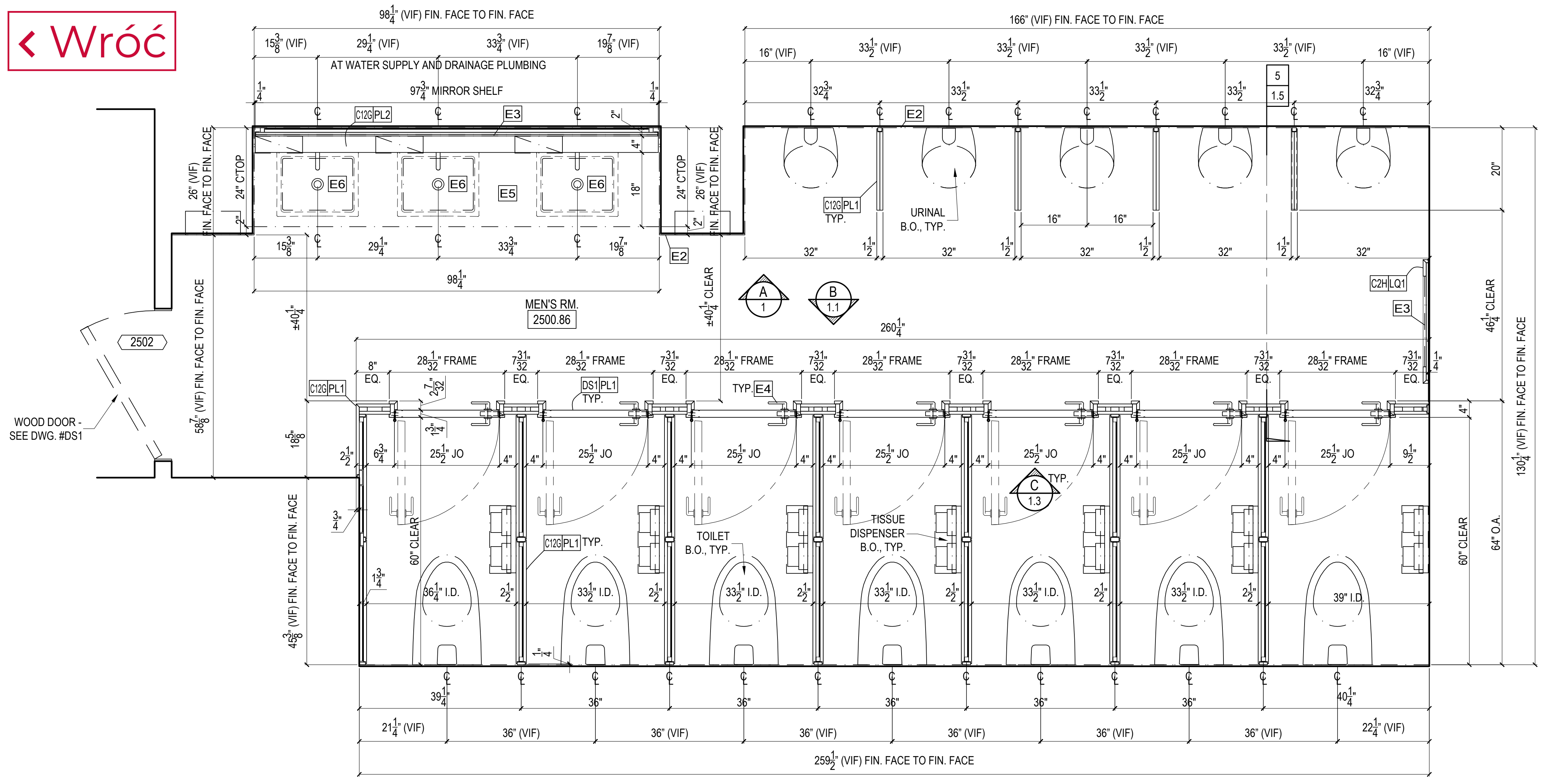


< Wróć

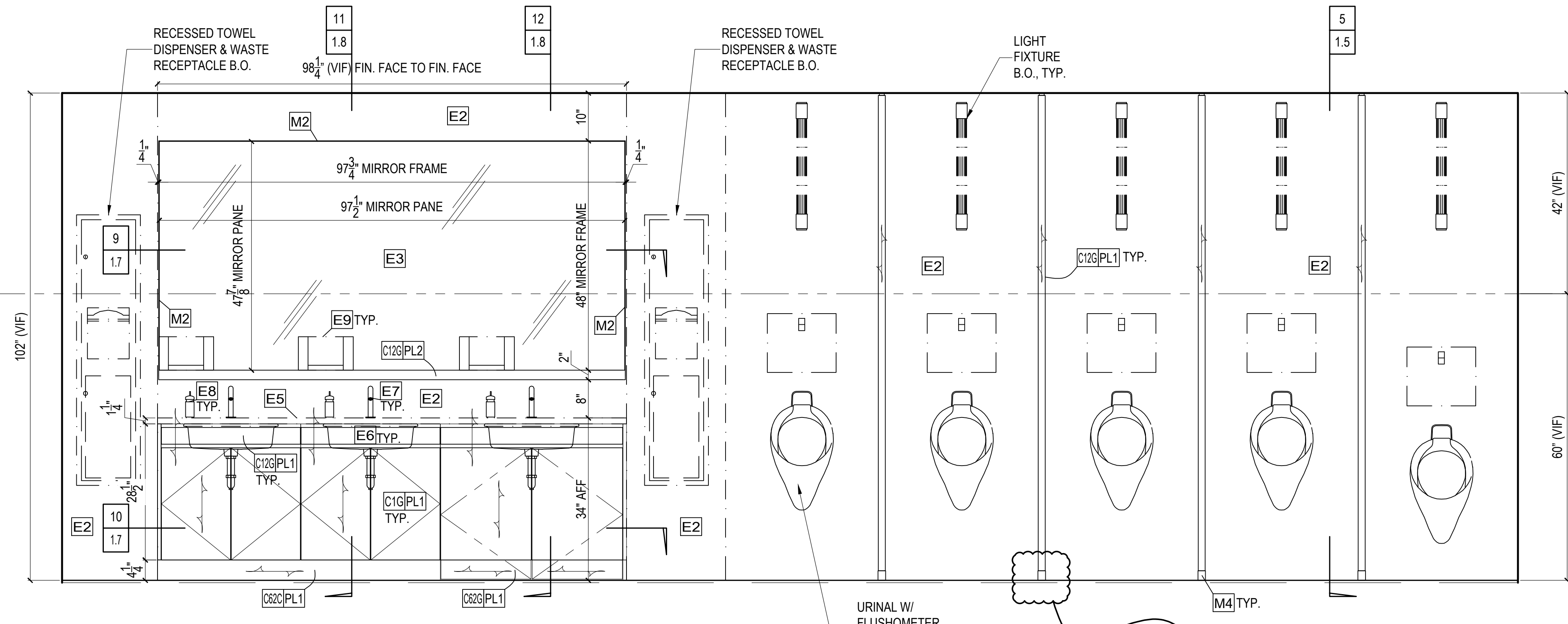


1
1
PLAN @ Men's Room #2500.86
SCALE: 3/4"=1'-0" REF: 1/A-801.00

ARCHITECT PLEASE VERIFY ALL WOOD GRAIN DIRECTIONS.

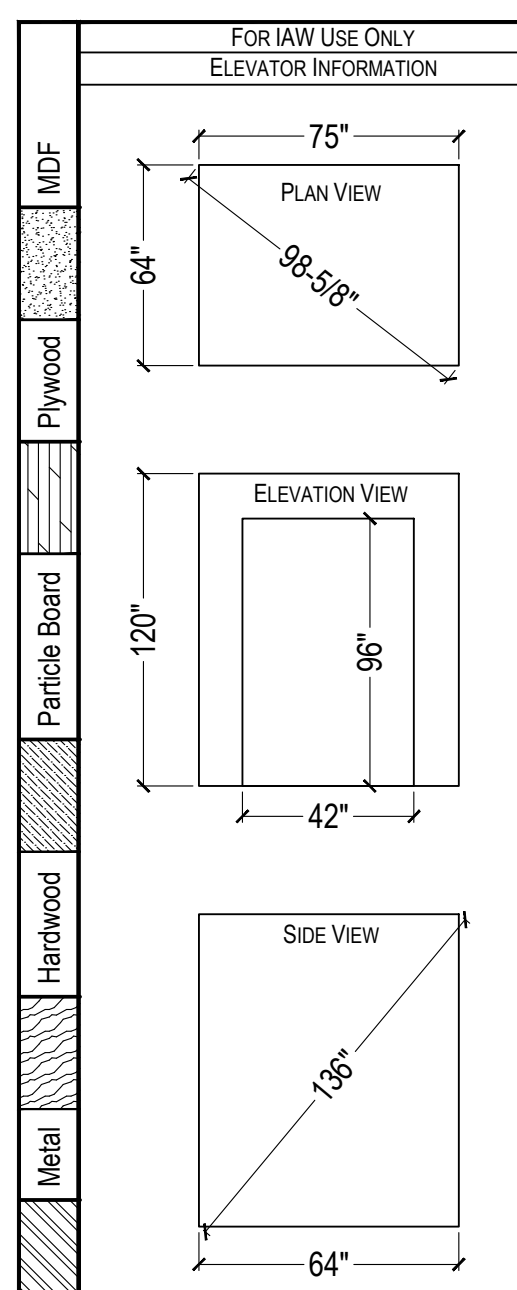
EQUIPMENT LIST:	
E6	LAVATORY MFR: KOHLER MODEL# K-2882 FINISH: WHITE D: 15 5/8" W: 19 13/16" H: 6 3/4"
E7	FAUCET MFR: TOTO MODEL# TEL115-D10ET FINISH: POLISHED CHROME D: _____ W: _____ H: 6 3/4"
E8	BOTTLE SOAP DISPENSER MFR: _____ MODEL# _____ FINISH: _____ D: _____ W: _____ H: _____
E9	PAPER TOWEL DISPENSER MFR: KANTEK MODEL# AH190 FINISH: CLEAR D: 4.1" W: 6.8" H: 11.5"

MATERIAL DESCRIPTIONS:			
FINISH / WOOD SPECIES:			
LQ1	SW 6790 - ADRIATIC SEA, FINISH OFF THE GUN HIGH GLOSS		
PLASTIC LAMINATE:			
PL1	FORMICA 728-58 GINGER ROOT MAPLE, MATTE		
PL2	FORMICA (TBD)		
CORES / SUBSTRATES:			
C12G	1 1/16" PARTICLEBOARD		
C1G	1 1/4" MDF		
C1C	1/4" MDF		
C36H	3/4" WHITE MELAMINE 2 Sided		
C39E	1/2" WHITE MELAMINE 1 sided		
C2H	3/4" MDF UV		
C62C	1/4" MADEX		
C62G	1 1/16" MADEX		
SOLID HARDWOOD:			
S1	Solid Poplar		
DOOR SLAB ASSEMBLY:			
DS1	(PL1) On 1-3/4" SC Door (1-1/16" PB Core, 2.3mm HDF Skin, Timberstrand & Solid WD Edge To Match Veneer)		
OTHER MATERIAL (PVC, GLASS, STONE, METAL):			
M1	Z-Clip, 3/8" Lift Off		
M2	Metal Angle Trim		
M3	Metal Angle		
M4	Stainless Steel Shoe Plate		
M5	Alum. Angle		
HARDWARE:			
H1	Salice #C2R8A99 (120") S/C Hinge	FINISH:	QTY:
H2	Salice #C2R8A99 (94") S/C Hinge	-	-
H3	Salice #BARGR09 (0mm) Hinge Plate	-	-
H4	Coat Hook - Bobrick B-6777	-	-
BY OTHERS / EXCLUSIONS:			
E1	Slab, Floor, Wall, Ceiling	E6	Lavatory
E2	Wall Ceramic Tiles	E7	Faucet
E3	3/8" Thk. Safety Mirror Glass	E8	Soap Dispenser
E4	Door Hardware	E9	Paper Towel Dispenser
E5	1-1/4" Thk. Stone (SS-1)	E10	Light Fixture



A
1
ELEVATION @ Men's Room #2500.86
SCALE: 3/4"=1'-0" REF: 4/A-801.00

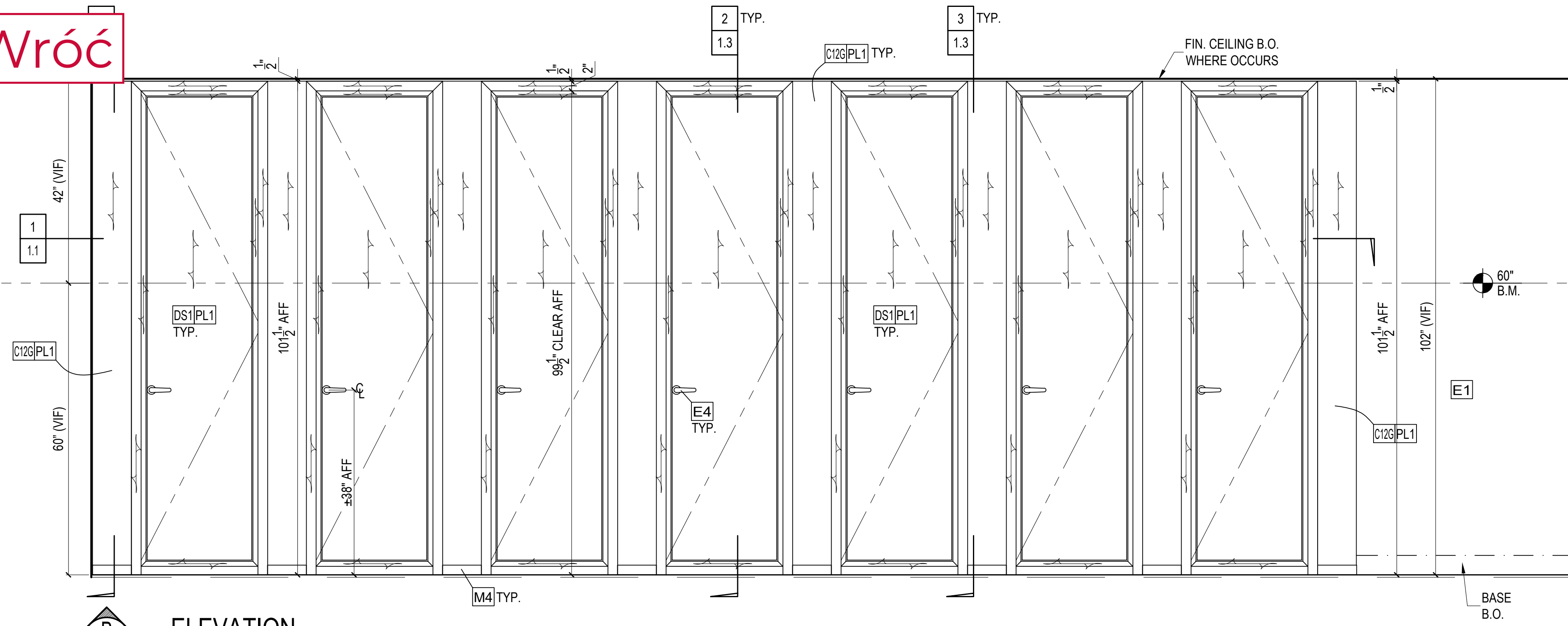
ARCHITECT PLEASE VERIFY METAL BASE AT DIVIDERS, TYP.



DATE:	ISSUED FOR:	BY:
7.9.19	Approval	PD
-	-	-
-	-	-
-	-	-

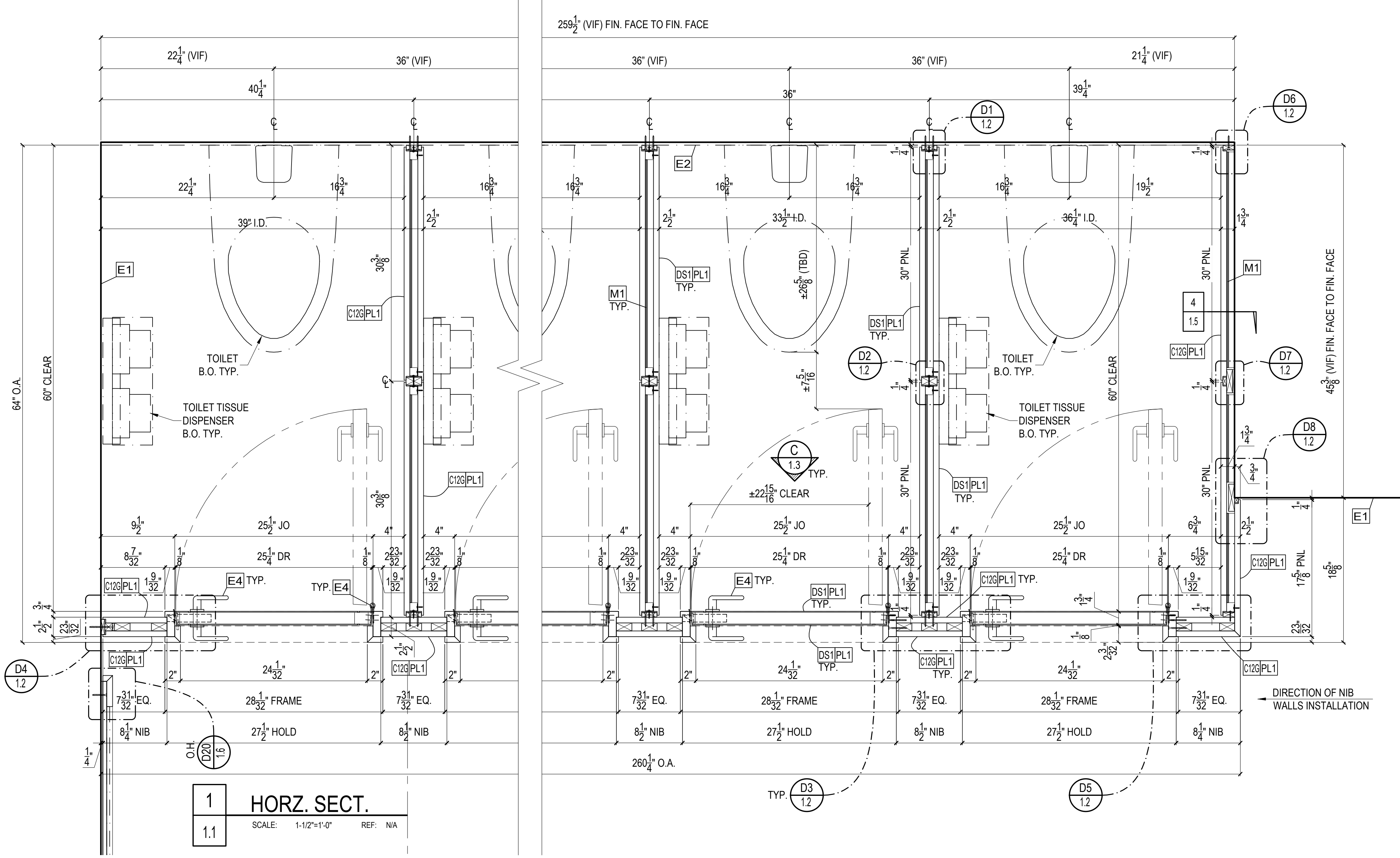
FOR LAW USE ONLY ELEVATOR INFORMATION	
PLAN VIEW	75" x 98-5/8"
ELEVATION VIEW	120" x 42" x 96"
SIDE VIEW	64" x 1.06"
ITEM NUMBER:	1
JOB NUMBER:	DRAWING NO. 1

← Wróć



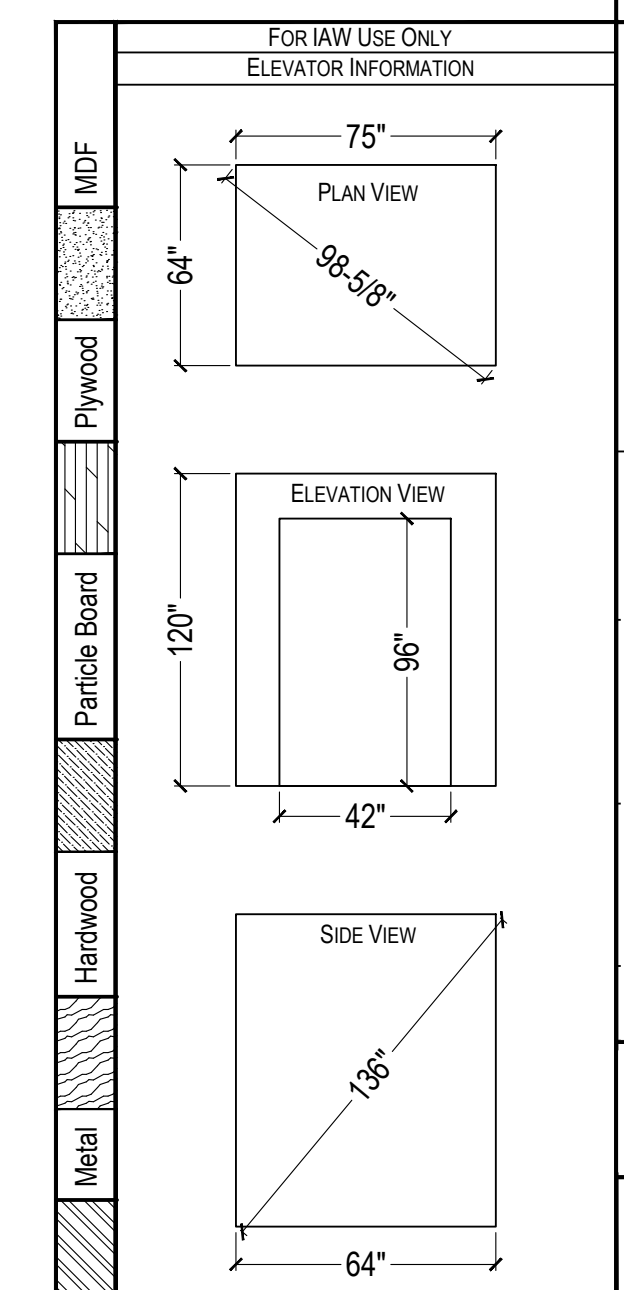
ELEVATION @ Men's Room #2500.86
SCALE: 3/4"=1'-0" REF: 2/A-801.00

ARCHITECT PLEASE VERIFY ALL WOOD GRAIN DIRECTIONS.

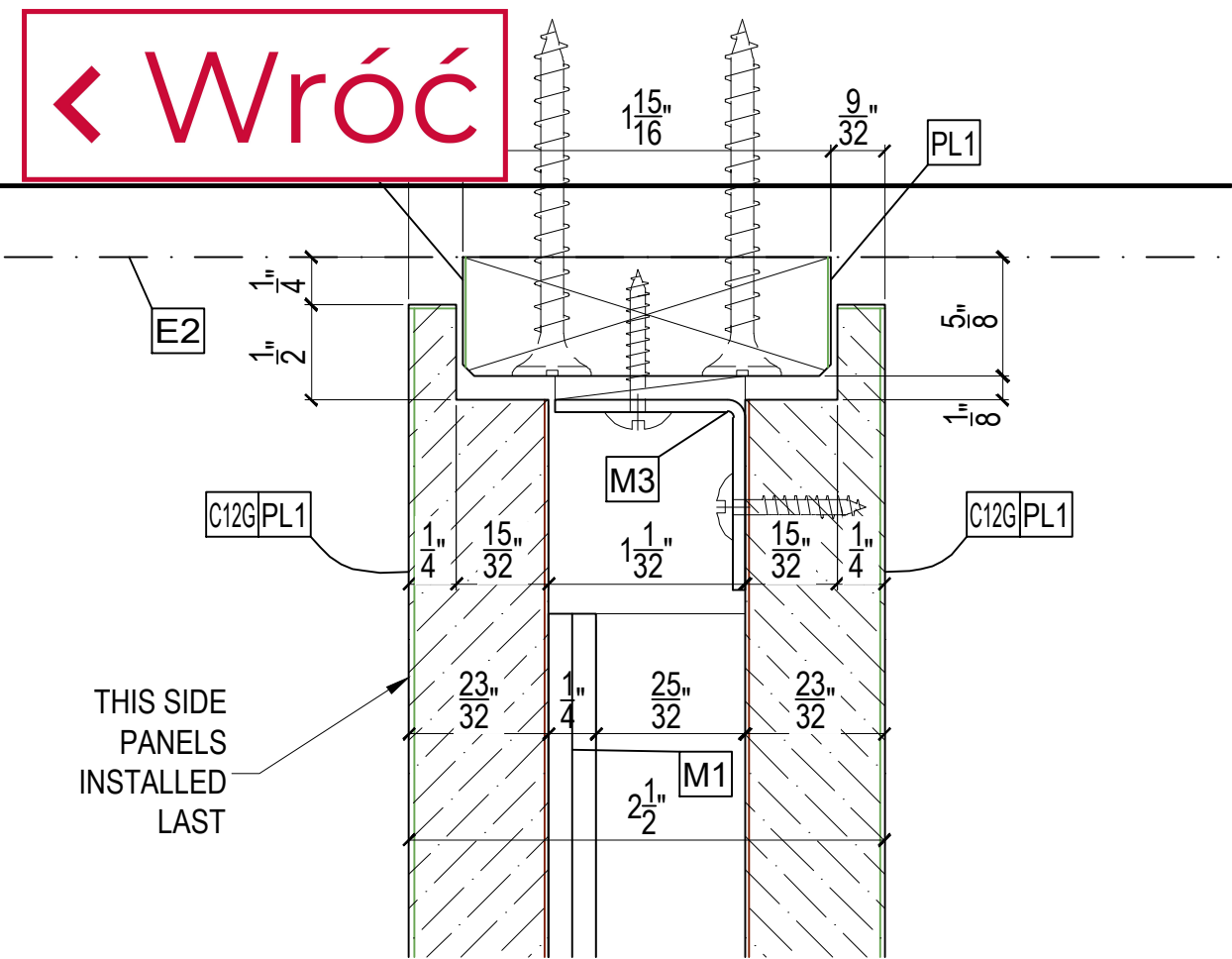


HORZ. SECT.
SCALE: 1-1/2"=1'-0" REF: NA

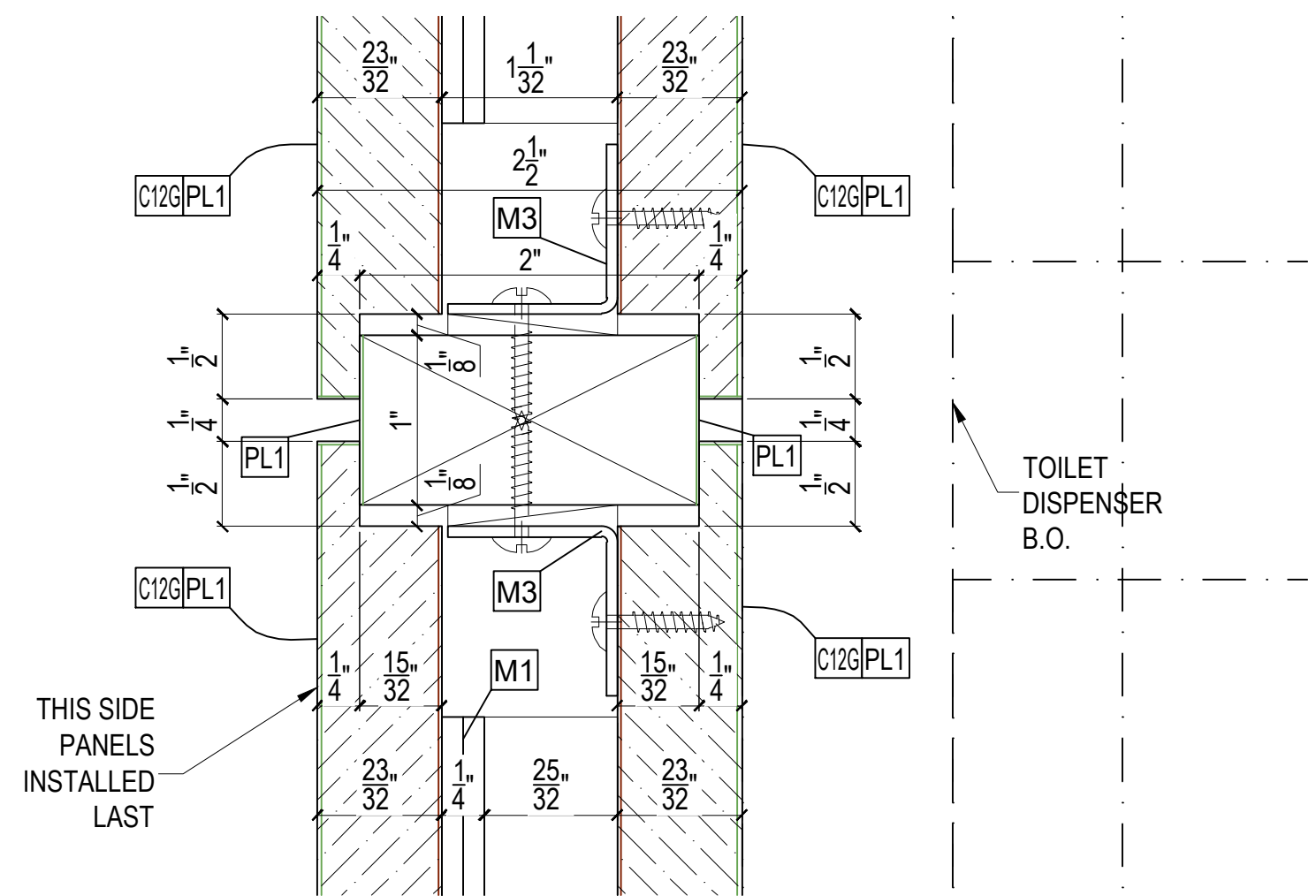
<input type="checkbox"/> LEED	<input type="checkbox"/> FSC	<input type="checkbox"/> NAUF	<input type="checkbox"/> FIRE RATED
MATERIAL DESCRIPTIONS:			
FINISH / WOOD SPECIES:			
LQ1	SW 6790 - ADRIATIC SEA, FINISH OFF THE GUN HIGH GLOSS	-	-
-	-	-	-
-	-	-	-
-	-	-	-
PLASTIC LAMINATE:			
PL1	FORMICA 7288-58 GINGER ROOT MAPLE, MATTE	-	-
PL2	FORMICA (TBD)	-	-
-	-	-	-
CORES / SUBSTRATES:			
C12G	11/16" PARTICLEBOARD	-	-
C1G	11/16" MDF	-	-
C1C	1/4" MDF	-	-
C36H	3/4" WHITE MELAMINE 2 Sided	-	-
C39E	1/2" WHITE MELAMINE 1 sided	-	-
C2H	3/4" MDF UV	-	-
C62C	1/4" MADEX	-	-
C62G	11/16" MADEX	-	-
-	-	-	-
-	-	-	-
SOLID HARDWOOD:			
S1	Solid Poplar	-	-
-	-	-	-
-	-	-	-
-	-	-	-
DOOR SLAB ASSEMBLY:			
DS1	(PL1) On 1-3/4" SC Door (1-11/16" PB Core, 2.3mm HDF Skin, Timberstrand & Solid WD Edge To Match Veneer)	-	-
-	-	-	-
-	-	-	-
OTHER MATERIAL (PVC, GLASS, STONE, METAL):			
M1	Z-Clip, 3/8" Lift Off	-	-
M2	Metal Angle Trim	-	-
M3	Metal Angle	-	-
M4	Stainless Steel Shoe Plate	-	-
M5	Alum. Angle	-	-
-	-	-	-
HARDWARE:			
H1	Salice #C2R8A99 (120") S/C Hinge	FINISH:	QTY:
H2	Salice #C2R8A99 (94") S/C Hinge	-	-
H3	Salice #BARGR09 (Omm) Hinge Plate	-	-
H4	Coat Hook - Bobrick B-6777	-	-
-	-	-	-
-	-	-	-
-	-	-	-
-	-	-	-
-	-	-	-
-	-	-	-
-	-	-	-
BY OTHERS / EXCLUSIONS:			
E1	Slab, Floor, Wall, Ceiling	E6	Lavatory
E2	Wall Ceramic Tiles	E7	Faucet
E3	3/8" Thk. Safety Mirror Glass	E8	Soap Dispenser
E4	Door Hardware	E9	Paper Towel Dispenser
E5	1-1/4" Thk. Stone (SS-1)	E10	Light Fixture
STAMP:			
DATE:	ISSUED FOR:	BY:	
7.9.19	Approval	PD	
-	-	-	-
-	-	-	-
-	-	-	-



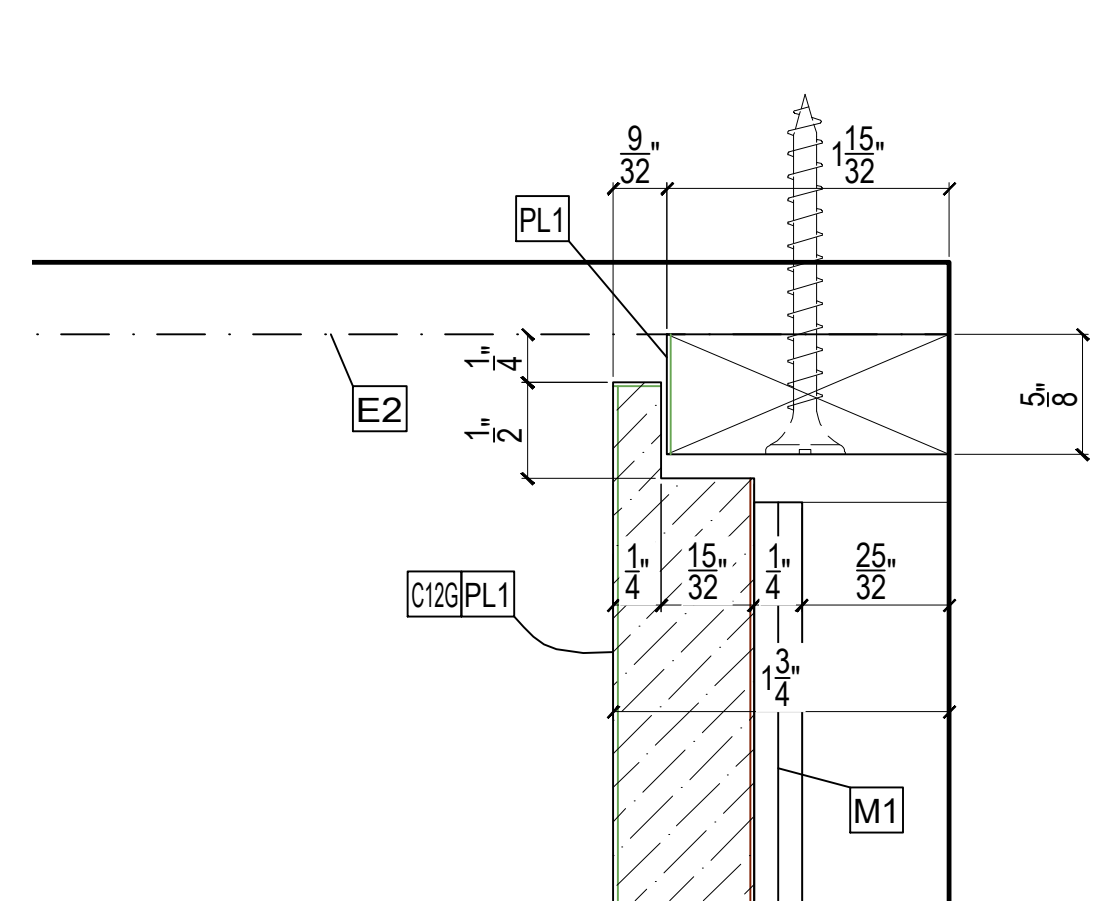
ITEM NUMBER:	1
JOB NUMBER:	DRAWING NO. 1.1



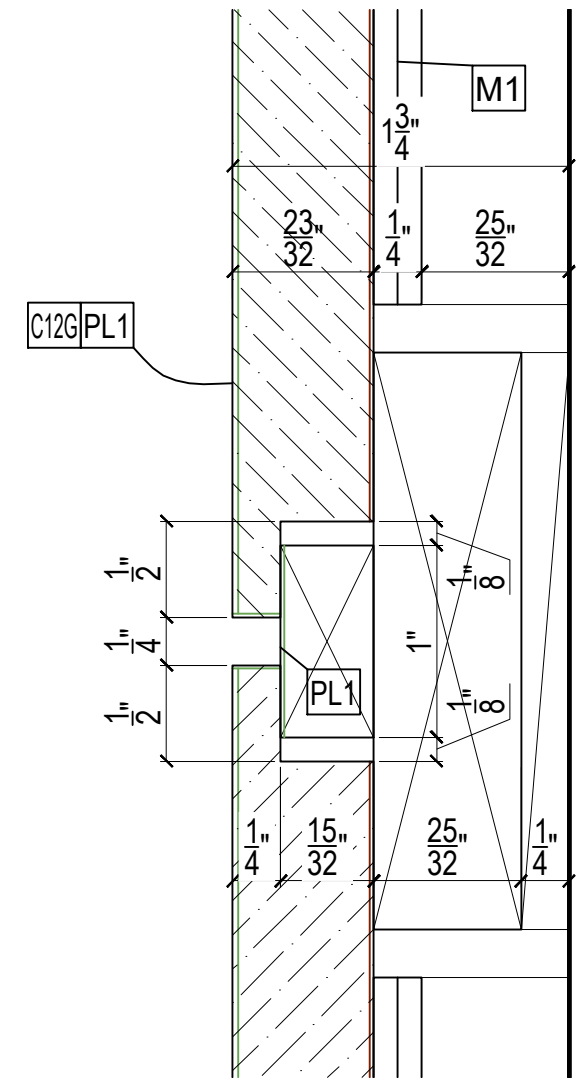
D1
1.2
SCALE: 1'-0"=1'-0" REF: 7/A-900.00 SIM.



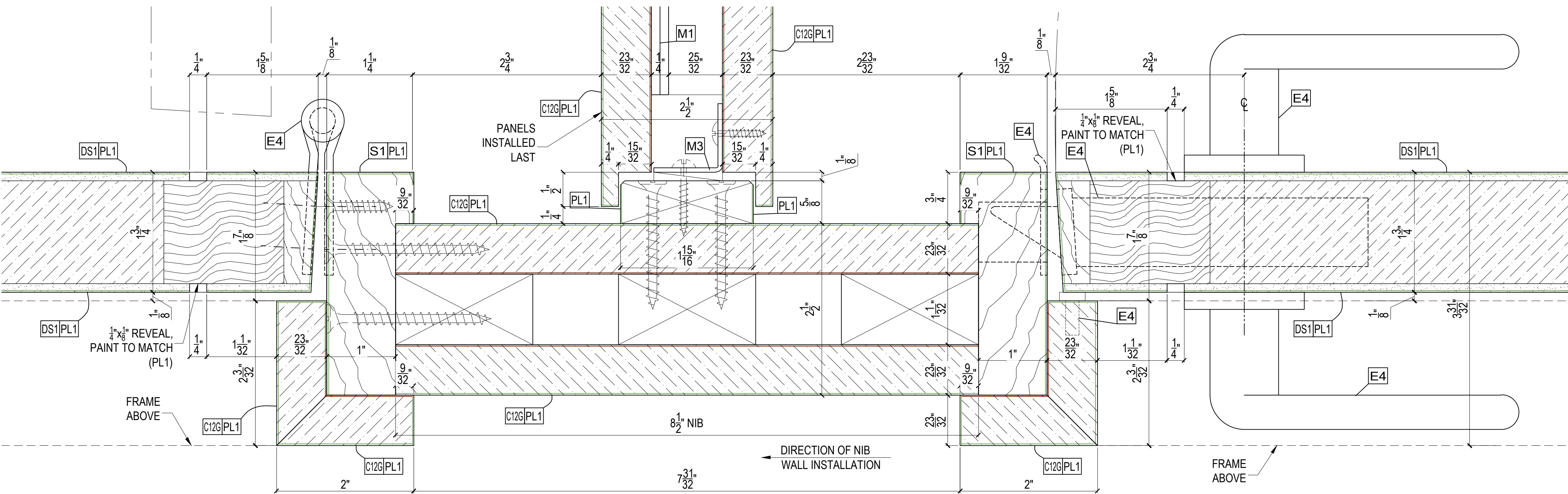
D2
1.2
SCALE: 1'-0"=1'-0" REF: N/A



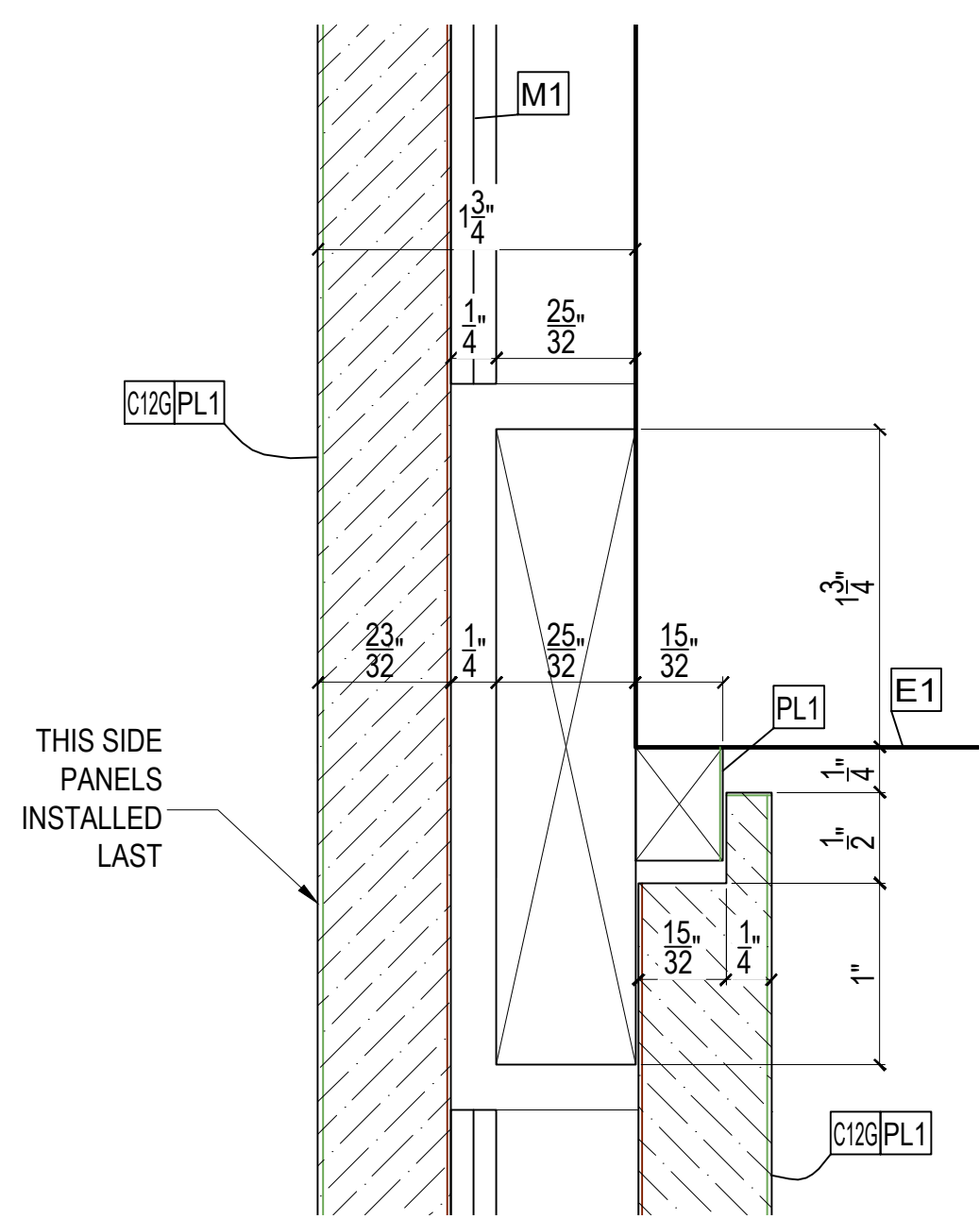
D6
1.2
SCALE: 1'-0"=1'-0" REF: N/A



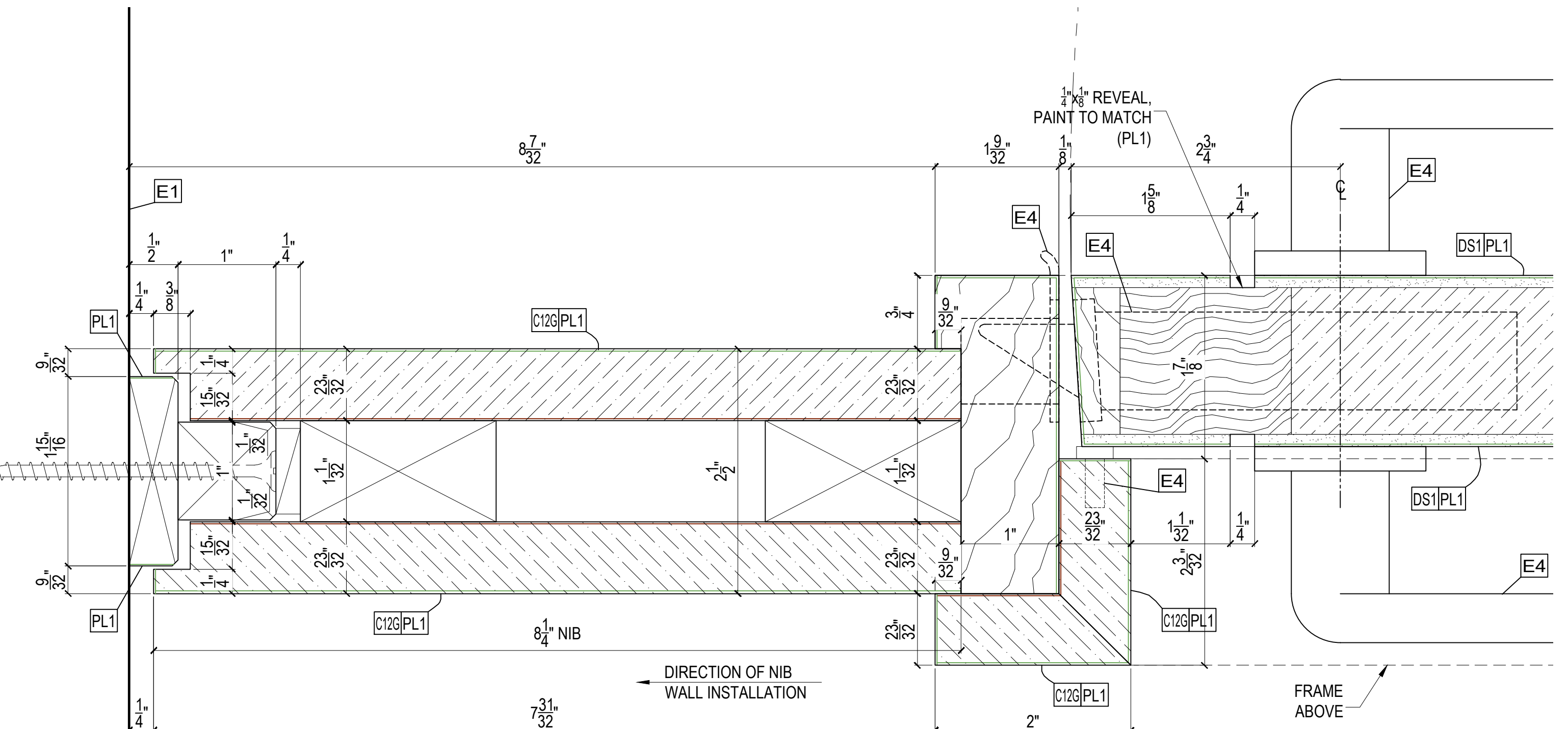
D7
1.2
SCALE: 1'-0"=1'-0" REF: N/A



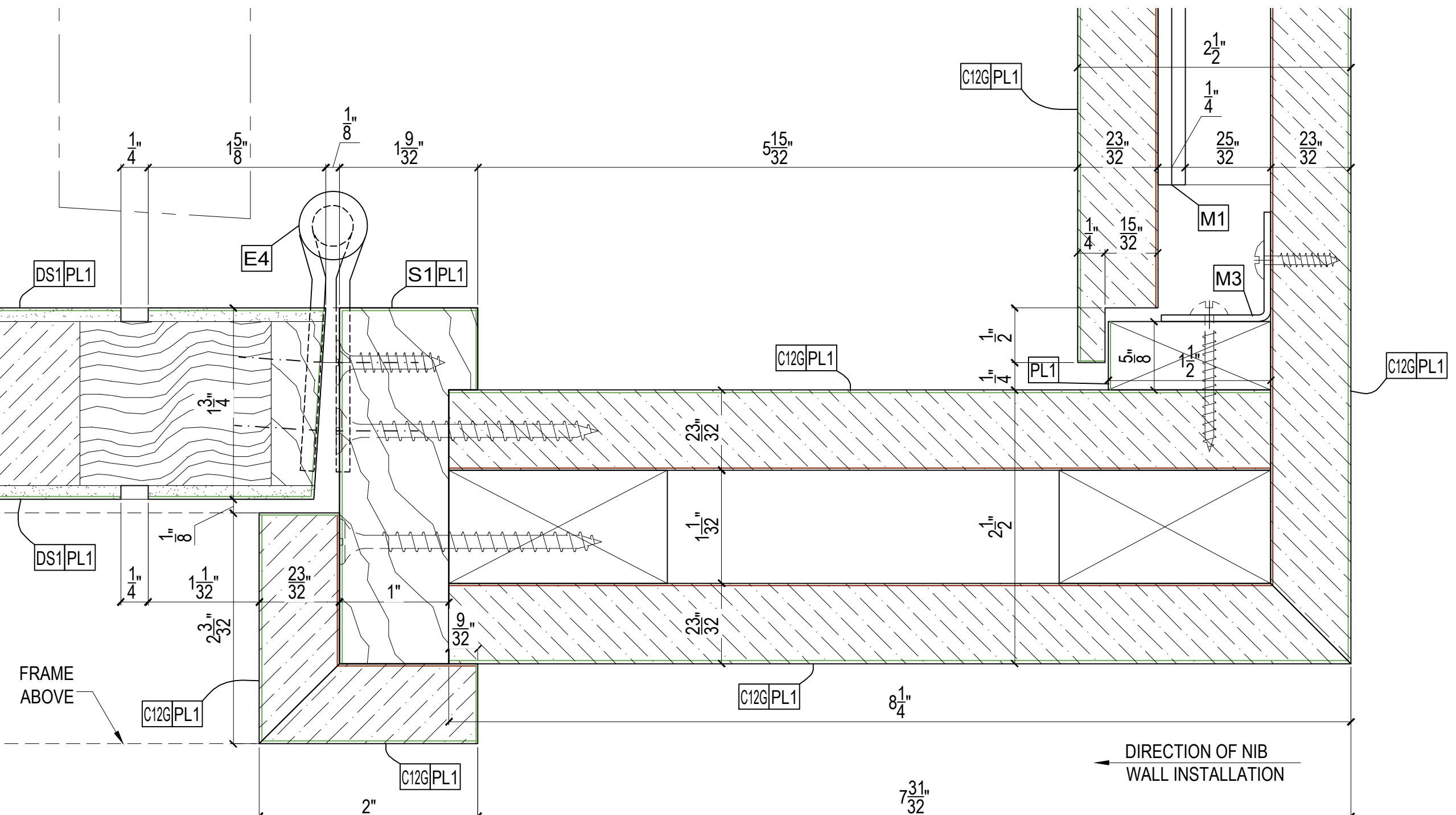
D3
1.2
SCALE: 1'-0"=1'-0" REF: 7/A-900.00 SIM.



D8
1.2
SCALE: 1'-0"=1'-0" REF: N/A



D4
1.2
SCALE: 1'-0"=1'-0" REF: 7/A-900.00 SIM.



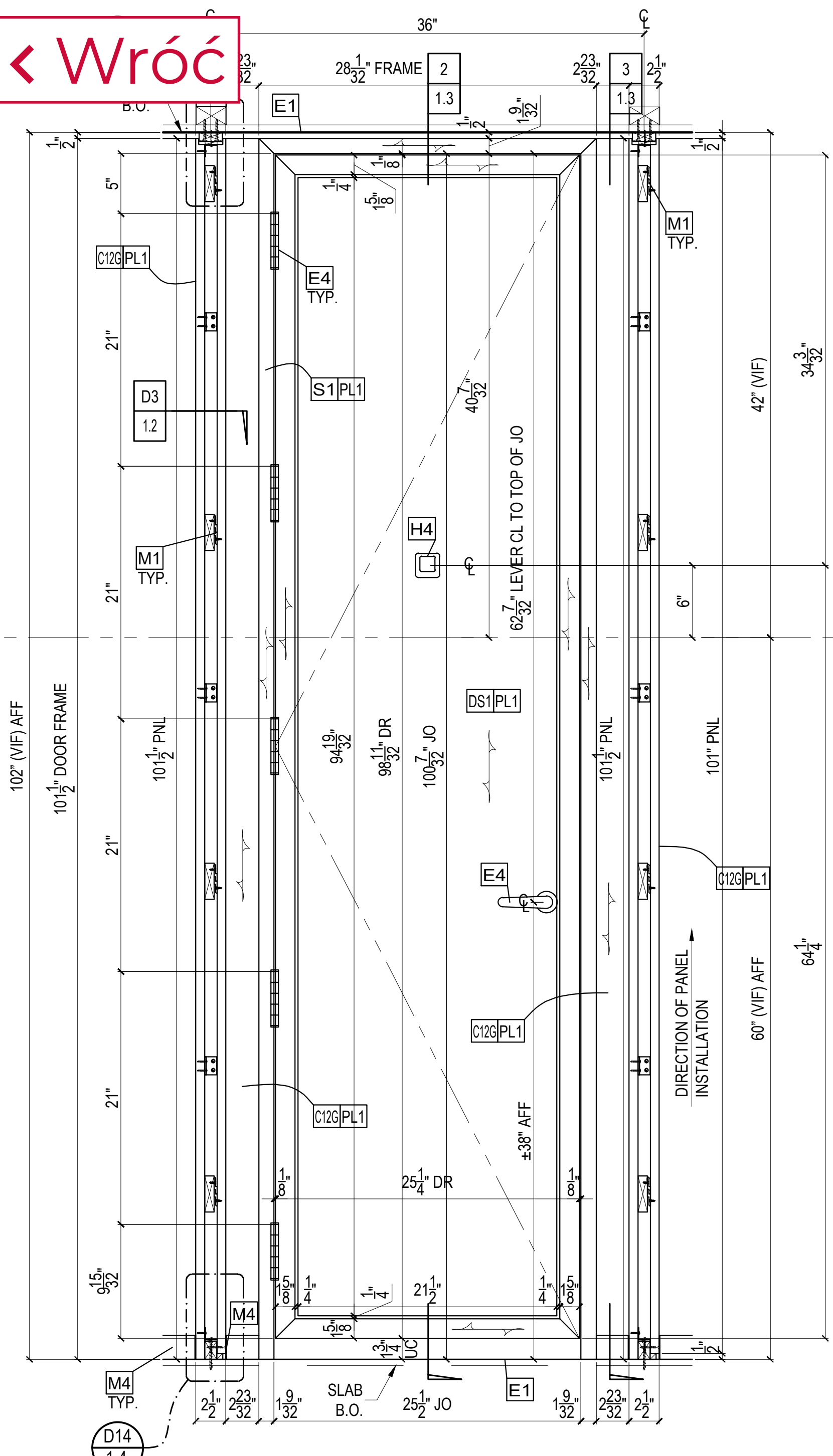
D5
1.2
SCALE: 1'-0"=1'-0" REF: 7/A-900.00 SIM.

<input type="checkbox"/> LEED	<input type="checkbox"/> FSC	<input type="checkbox"/> NAUF	<input type="checkbox"/> FIRE RATED
MATERIAL DESCRIPTIONS:			
FINISH / WOOD SPECIES:			
LQ1	SW 6790 - ADRIATIC SEA, FINISH OFF THE GUN HIGH GLOSS		
PL1	FORMICA 7288-58 GINGER ROOT MAPLE, MATTE		
PL2	FORMICA (TBD)		
CORES / SUBSTRATES:			
C12G	11/16" PARTICLEBOARD		
C1G	11/16" MDF		
C1C	1/4" MDF		
C36H	3/4" WHITE MELAMINE 2 Sided		
C39E	1/2" WHITE MELAMINE 1 sided		
C2H	3/4" MDF UV		
C82C	1/4" MADEX		
C82G	11/16" MADEX		
SOLID HARDWOOD:			
S1	Solid Poplar		
DOOR SLAB ASSEMBLY:			
DS1	(PL1) On 1-3/4" SC Door (1-11/16" PB Core, 2.3mm HDF Skin, Timberstrand & Solid WD Edge To Match Veneer)		
OTHER MATERIAL (PVC, GLASS, STONE, METAL):			
M1	Z-Clip, 3/8" Lift Off		
M2	Metal Angle Trim		
M3	Metal Angle		
M4	Stainless Steel Shoe Plate		
M5	Alum. Angle		
HARDWARE:			
	FINISH:	QTY:	
H1	Salice #C2R9A99 (120°) S/C Hinge	-	-
H2	Salice #C2R9A99 (94°) S/C Hinge	-	-
H3	Salice #BAR909 (9mm) Hinge Plate	-	-
H4	Coat Hook - Bobrick B-6777	-	-
-	-	-	-
-	-	-	-
-	-	-	-
-	-	-	-
-	-	-	-
-	-	-	-
-	-	-	-
-	-	-	-
BY OTHERS / EXCLUSIONS:			
E1	Slab, Floor, Wall, Ceiling	E6	Lavatory
E2	Wall Ceramic Tiles	E7	Faucet
E3	3/8" Thk. Safety Mirror Glass	E8	Soap Dispenser
E4	Door Hardware	E9	Paper Towel Dispenser
E5	1-1/4" Thk. Stone (SS-1)	E10	Light Fixture

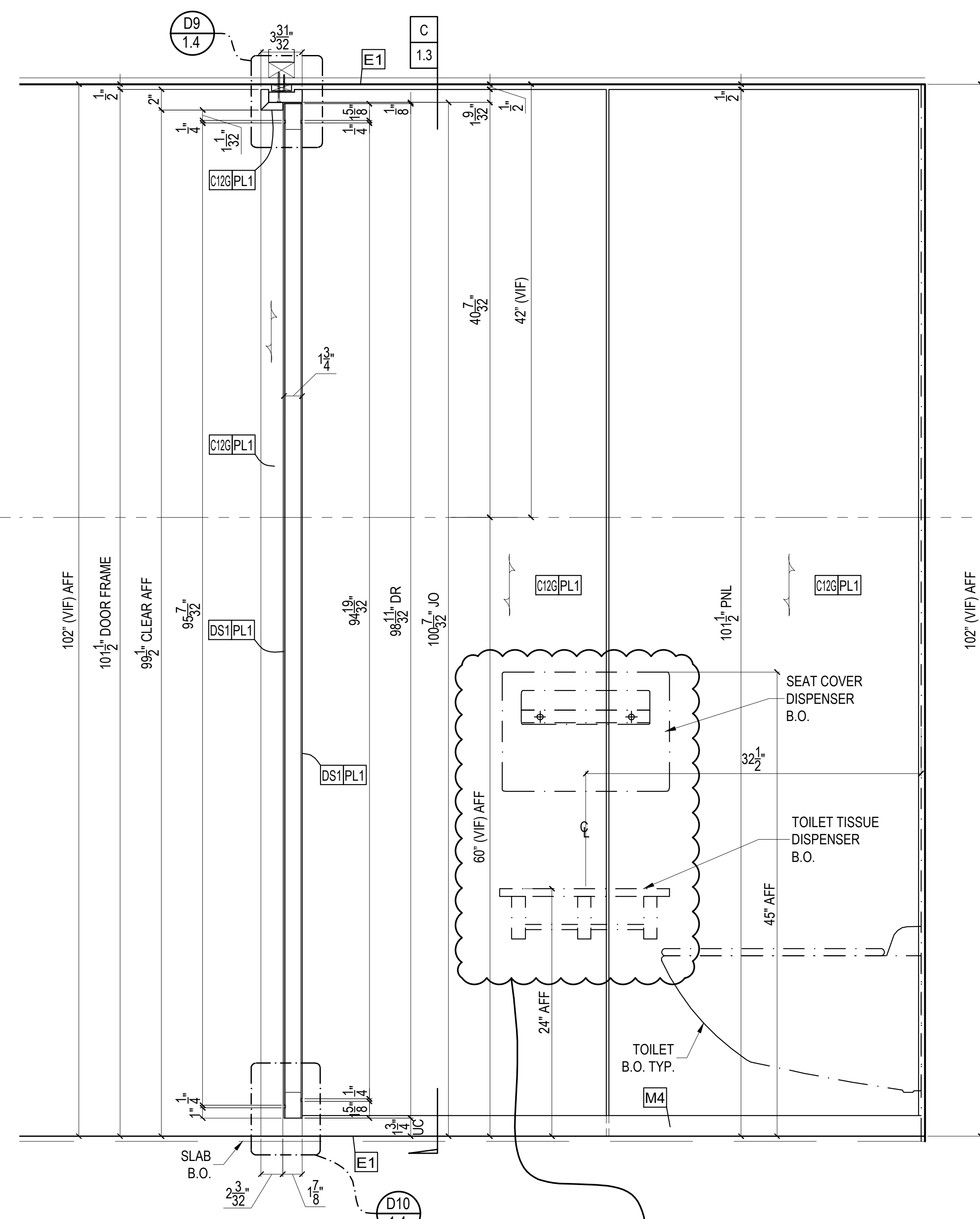
DATE:	ISSUED FOR:	BY:
7.9.19	Approval	PD
-	-	-
-	-	-
-	-	-

JOB NUMBER:	ITEM NUMBER: 1
	DRAWING NO. 1.2

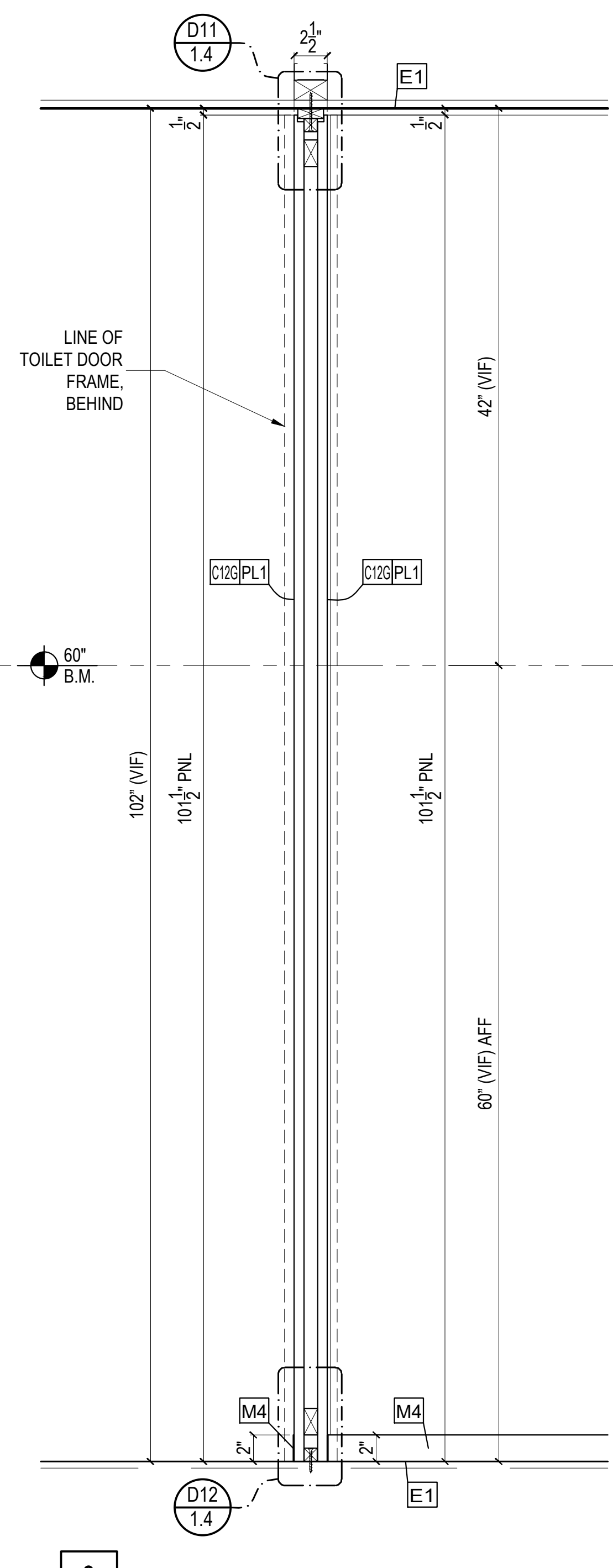
< Wróć



ELEVATION @ Typ. Toilet Cabin
SCALE: 3/4"=1'-0" REF: 4/A-900.00



2 VERT. SECT.
SCALE: 1-1/2"=1'-0" REF: 6/A-900.00

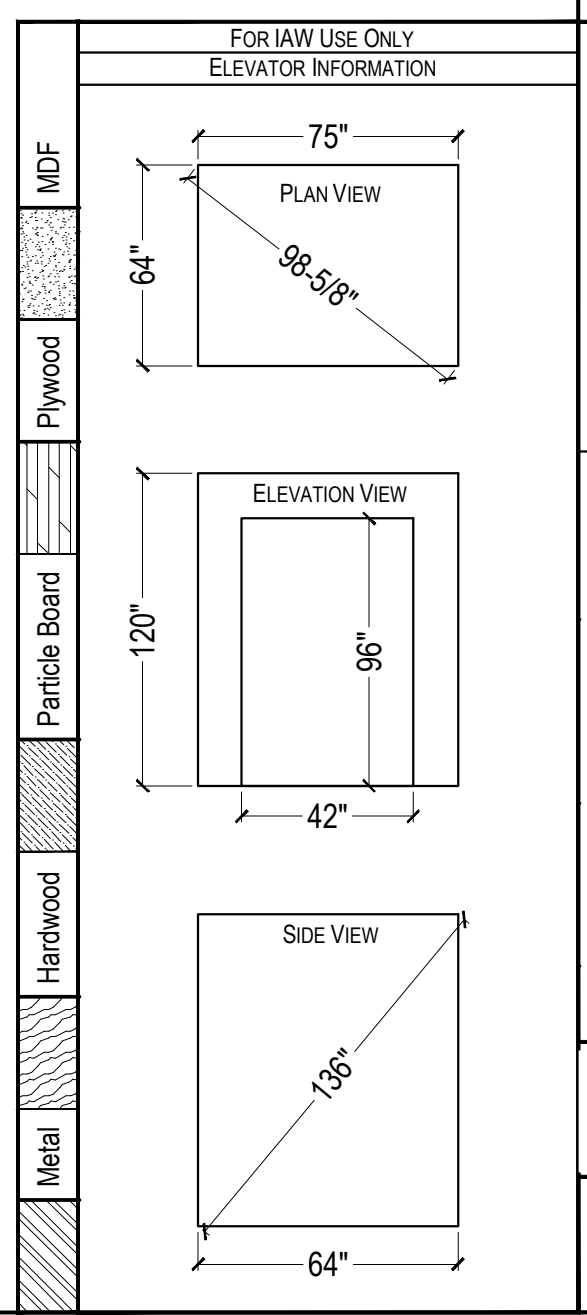


3 VERT. SECT.
SCALE: 1-1/2"=1'-0" REF: 7/A-900.00 SIM.

<input type="checkbox"/> LEED	<input type="checkbox"/> FSC	<input type="checkbox"/> NAUF	<input type="checkbox"/> FIRE RATED
MATERIAL DESCRIPTIONS:			
FINISH / WOOD SPECIES:			
L01	SW 6790 - ADRIATIC SEA, FINISH OFF THE GUN HIGH GLOSS		
PLASTIC LAMINATE:			
PL1	FORMICA 7288-58 GINGER ROOT MAPLE, MATTE		
PL2	FORMICA (TBD)		
CORES / SUBSTRATES:			
C12G	11/16" PARTICLEBOARD		
C1G	11/16" MDF		
C1C	1/4" MDF		
C36H	3/4" WHITE MELAMINE 2 Sided		
C39E	1/2" WHITE MELAMINE 1 sided		
C2H	3/4" MDF UV		
C62C	1/4" MADEX		
C62G	11/16" MADEX		
SOLID HARDWOOD:			
S1	Solid Poplar		
DOOR SLAB ASSEMBLY:			
DS1	(PL1) On 1-3/4" SC Door (1-11/16" PB Core, 2.3mm HDF Skin, Timberstrand & Solid WD Edge To Match Veneer)		
OTHER MATERIAL (PVC, GLASS, STONE, METAL):			
M1	Z-Clip, 3/8" Lift Off		
M2	Metal Angle Trim		
M3	Metal Angle		
M4	Stainless Steel Shoe Plate		
M5	Alum. Angle		
HARDWARE:			
H1	Salice #C2RBA99 (120") S/C Hinge	FINISH:	QTY:
H2	Salice #C2RBA99 (94") S/C Hinge	-	-
H3	Salice #BARGR09 (Omm) Hinge Plate	-	-
H4	Coat Hook - Bobrick B-6777	-	-
BY OTHERS / EXCLUSIONS:			
E1	Slab, Floor, Wall, Ceiling	E6	Lavatory
E2	Wall Ceramic Tiles	E7	Faucet
E3	3/8" Thk. Safety Mirror Glass	E8	Soap Dispenser
E4	Door Hardware	E9	Paper Towel Dispenser
E5	1-1/4" Thk. Stone (SS-1)	E10	Light Fixture
STAMP:			
DATE:	ISSUED FOR:	BY:	
7.9.19	Approval	PD	

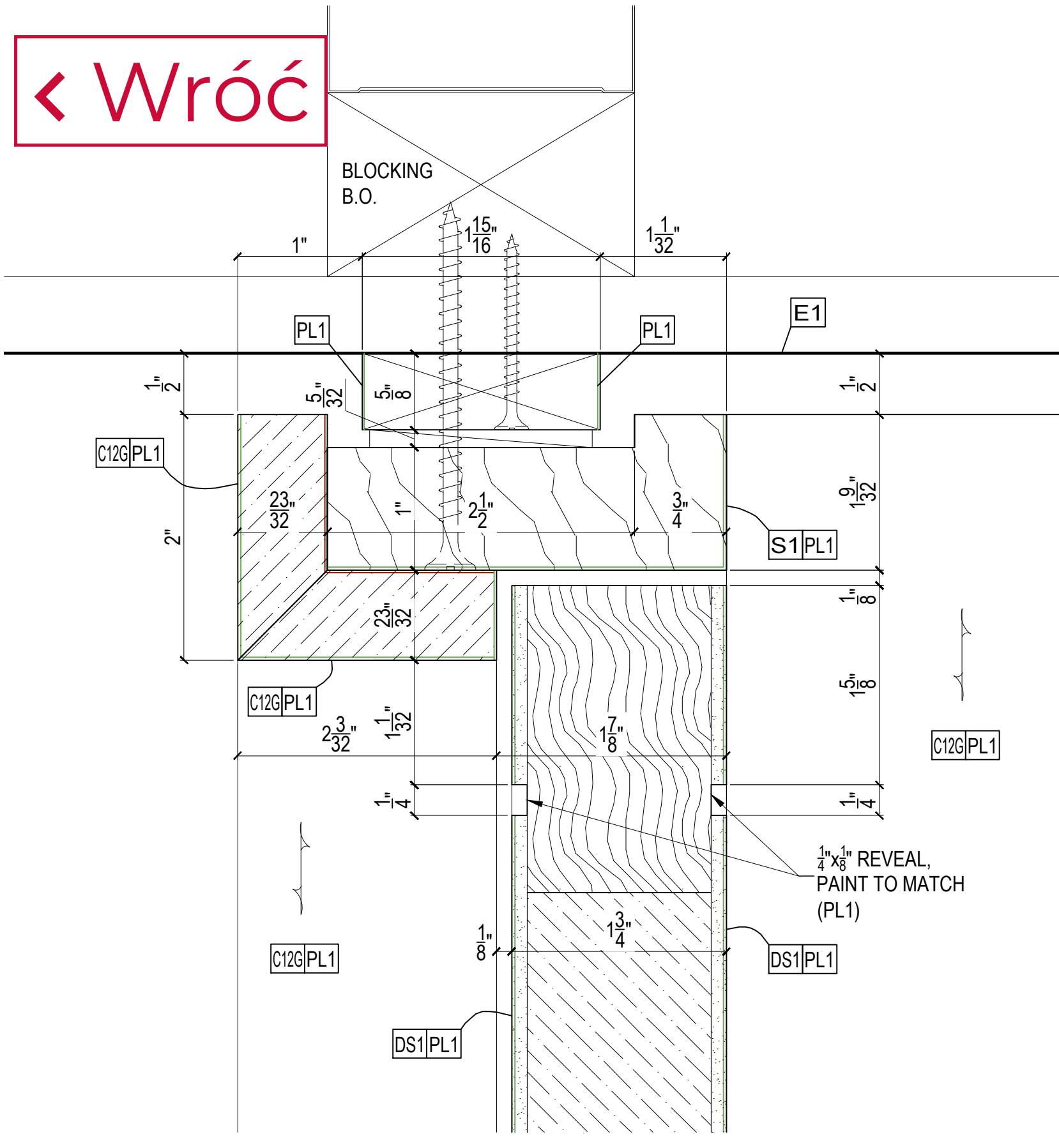
Hardware Info						
Hardware Set #	Description	Manufacturer	Part #	Finish	Qty	Notes
Men's Toilet Stall Door	Butt Hinge	Stanley	FBB-199	Satin St. Steel	2 Per Leaf	
	Self Closing Butt Hinge	Stanley	422330	Satin St. Steel	3 Per Leaf	
	Privacy Lockset W/ Indicator	Accurate/Schlage	8839 Bathroom Privacy Lock, Lever Set: Danmark 615 W/ A-Wrought Rose	626 Satin Chrome	1 Set	
	Door Stop	Rockwood	446	US26D W/ Black Rubber	1	
	Rubber door Silencer	Glynn Johnson	SR65	Grey	3 Per Leaf	

ARCHITECT PLEASE PROVIDE APPROVED DOOR HARDWARE LIST FOR COORDINATION.

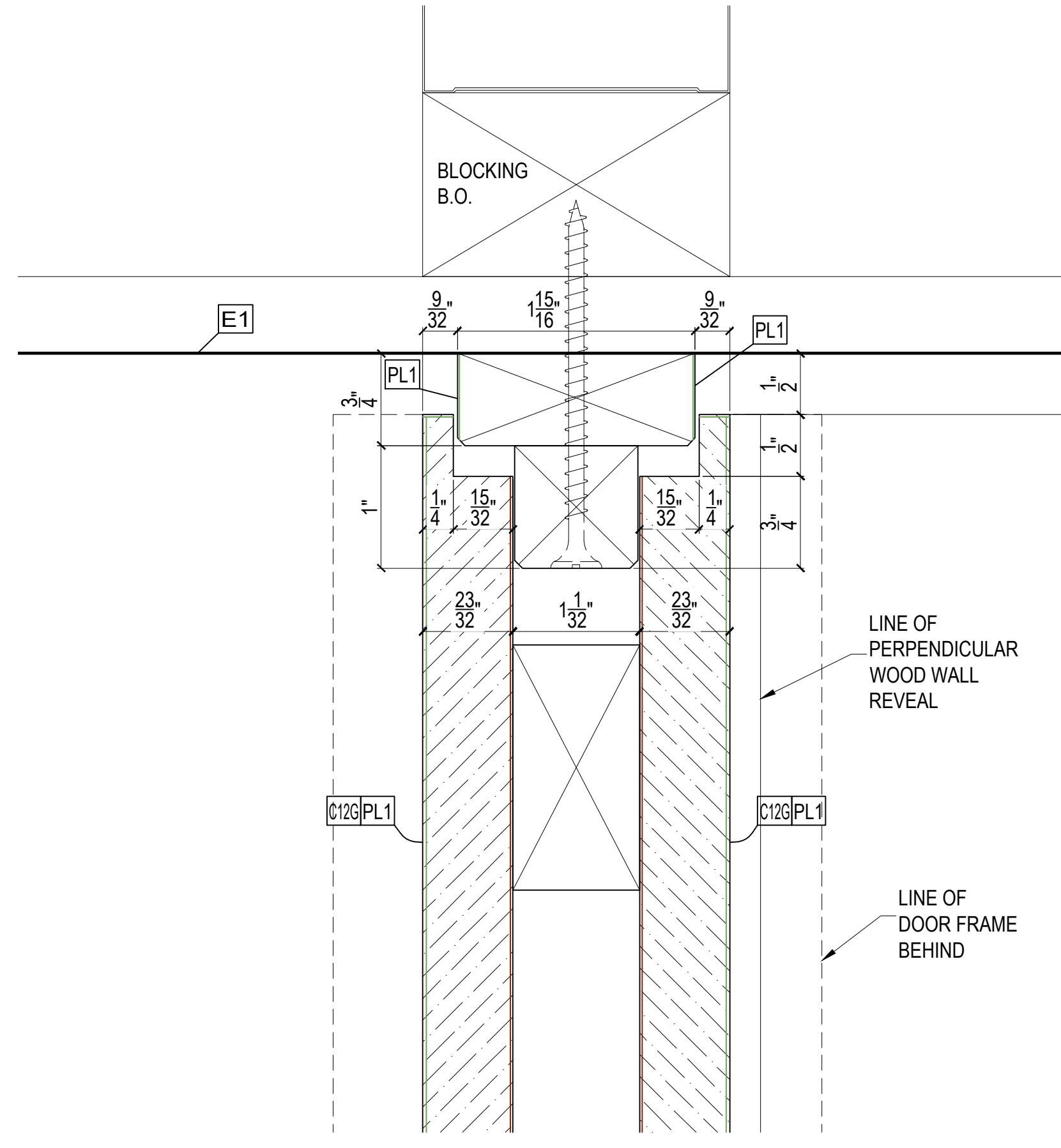


JOB NUMBER:	ITEM NUMBER: 1
	DRAWING NO. 1.3

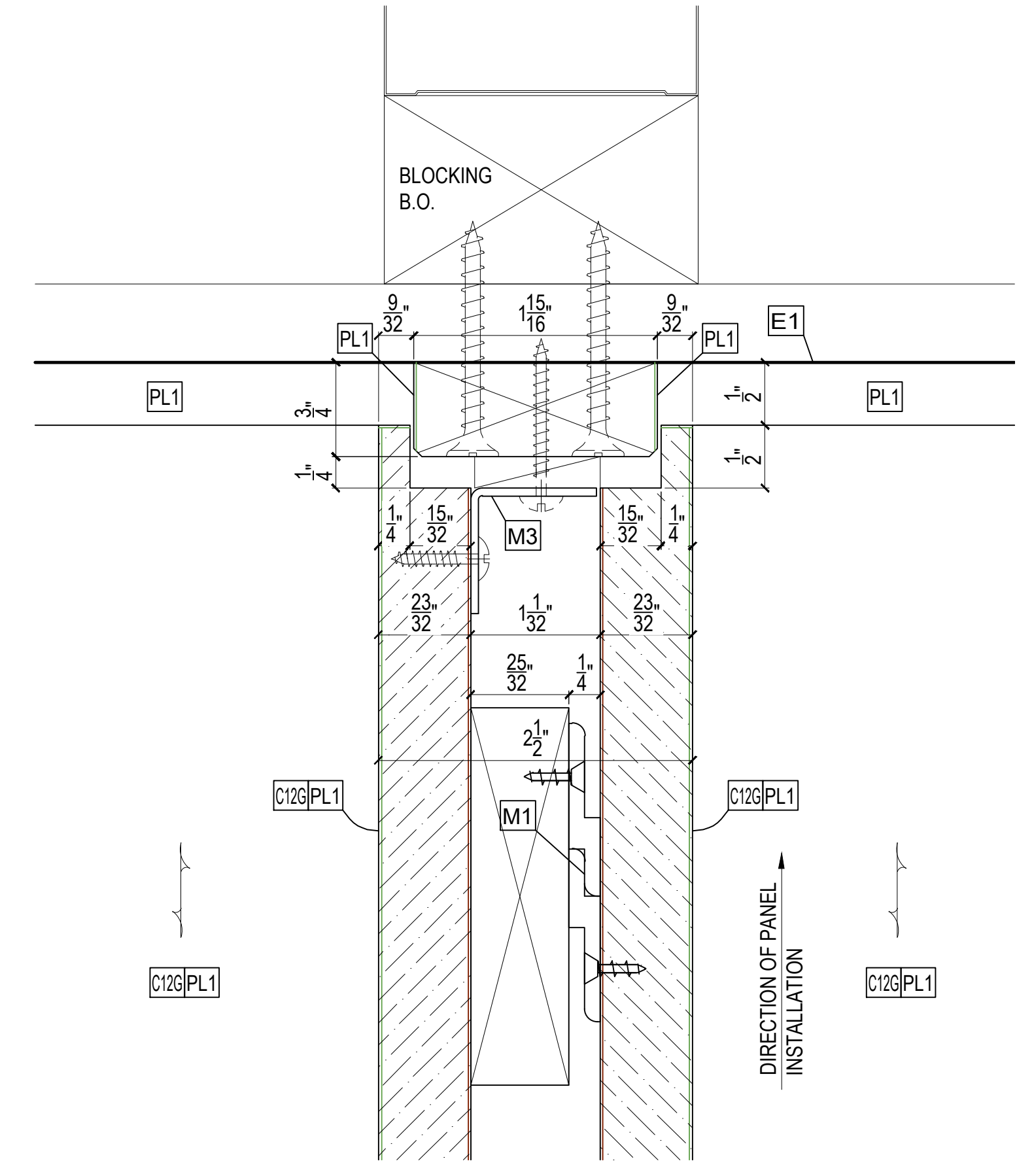
< Wróć



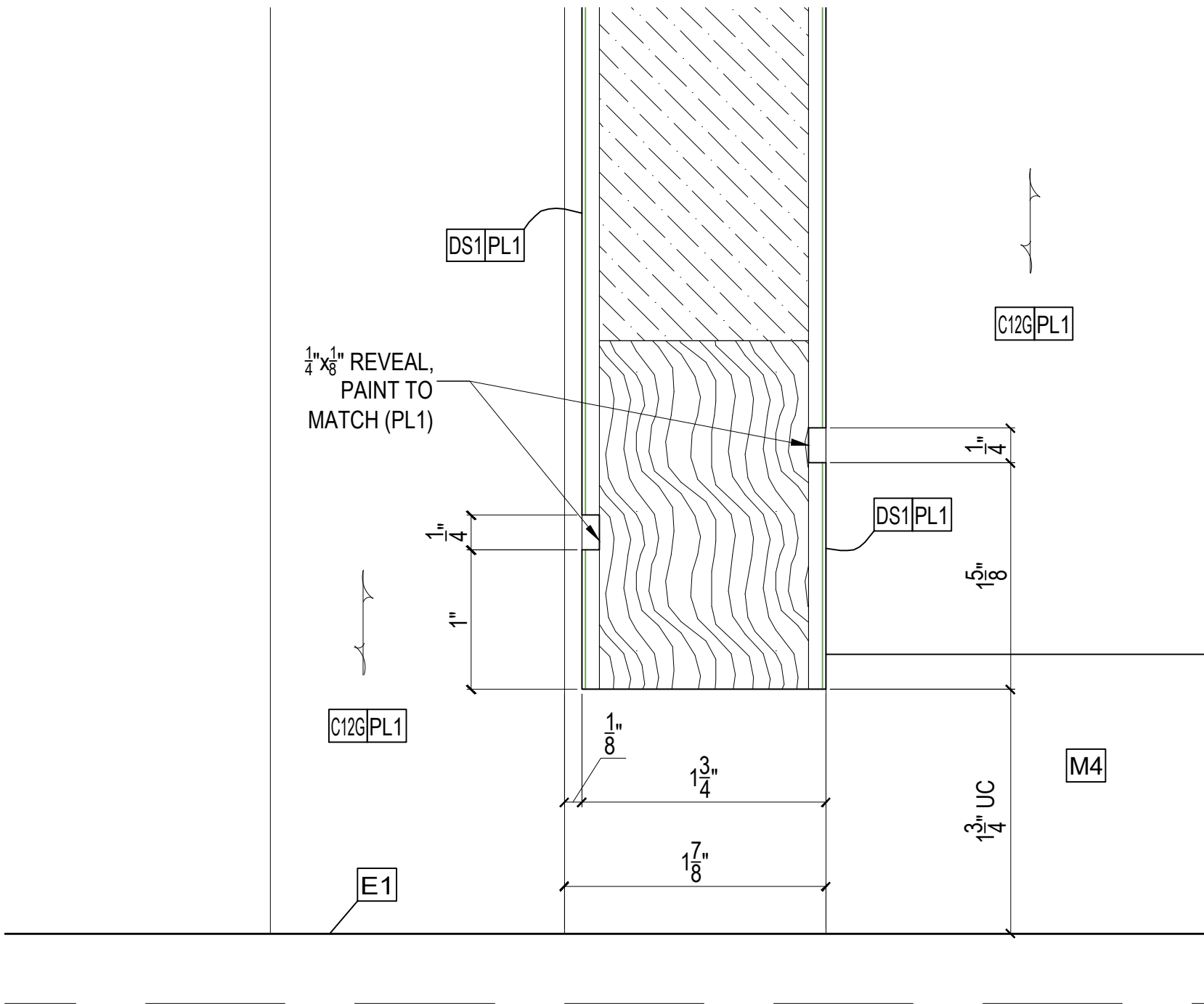
D9 1.4 DETAIL SCALE: 1/4"=1'-0" REF: 6/A-900.00



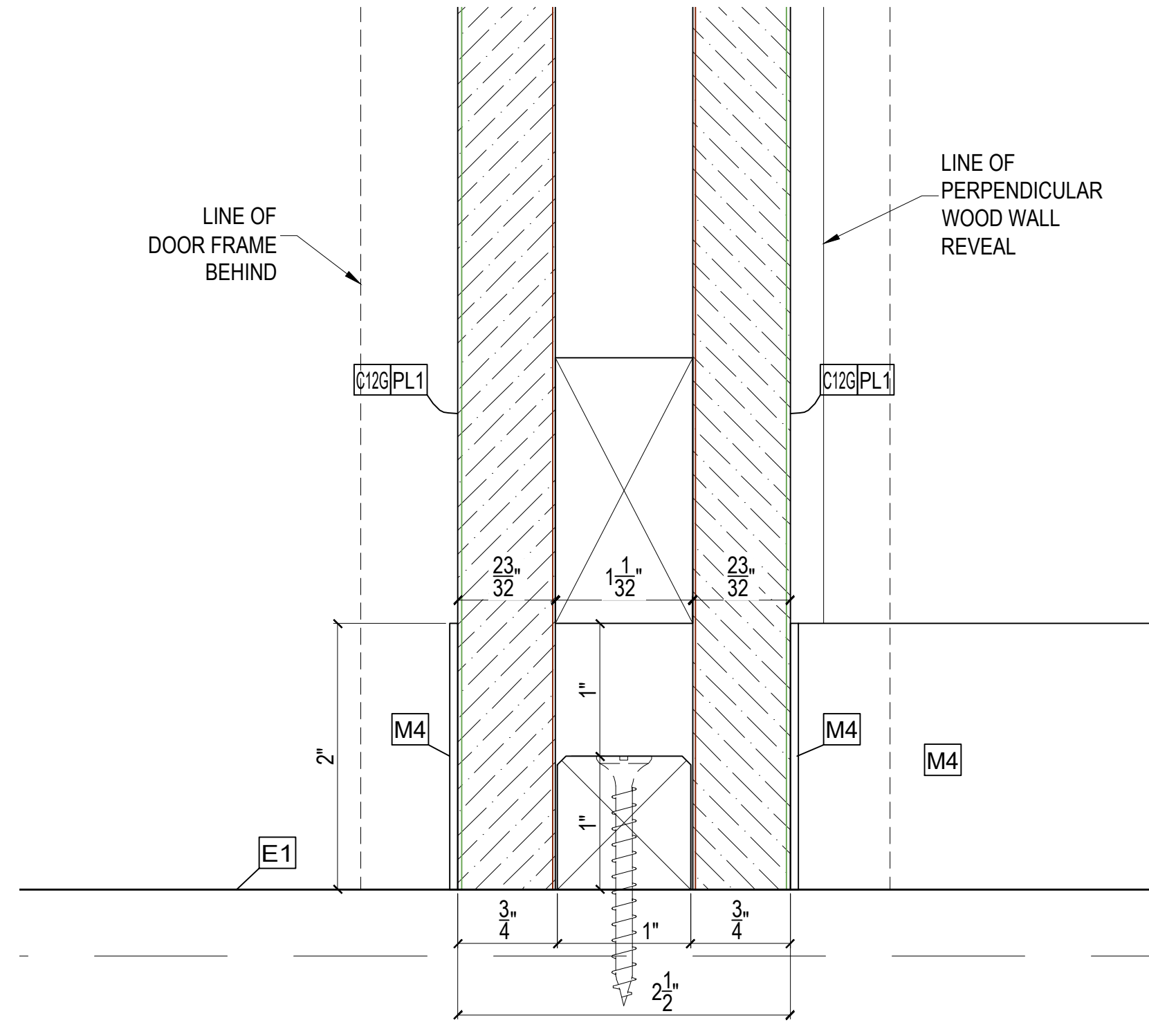
D11 1.4 DETAIL SCALE: 1/4"=1'-0" REF: 7/A-900.00 SIM.



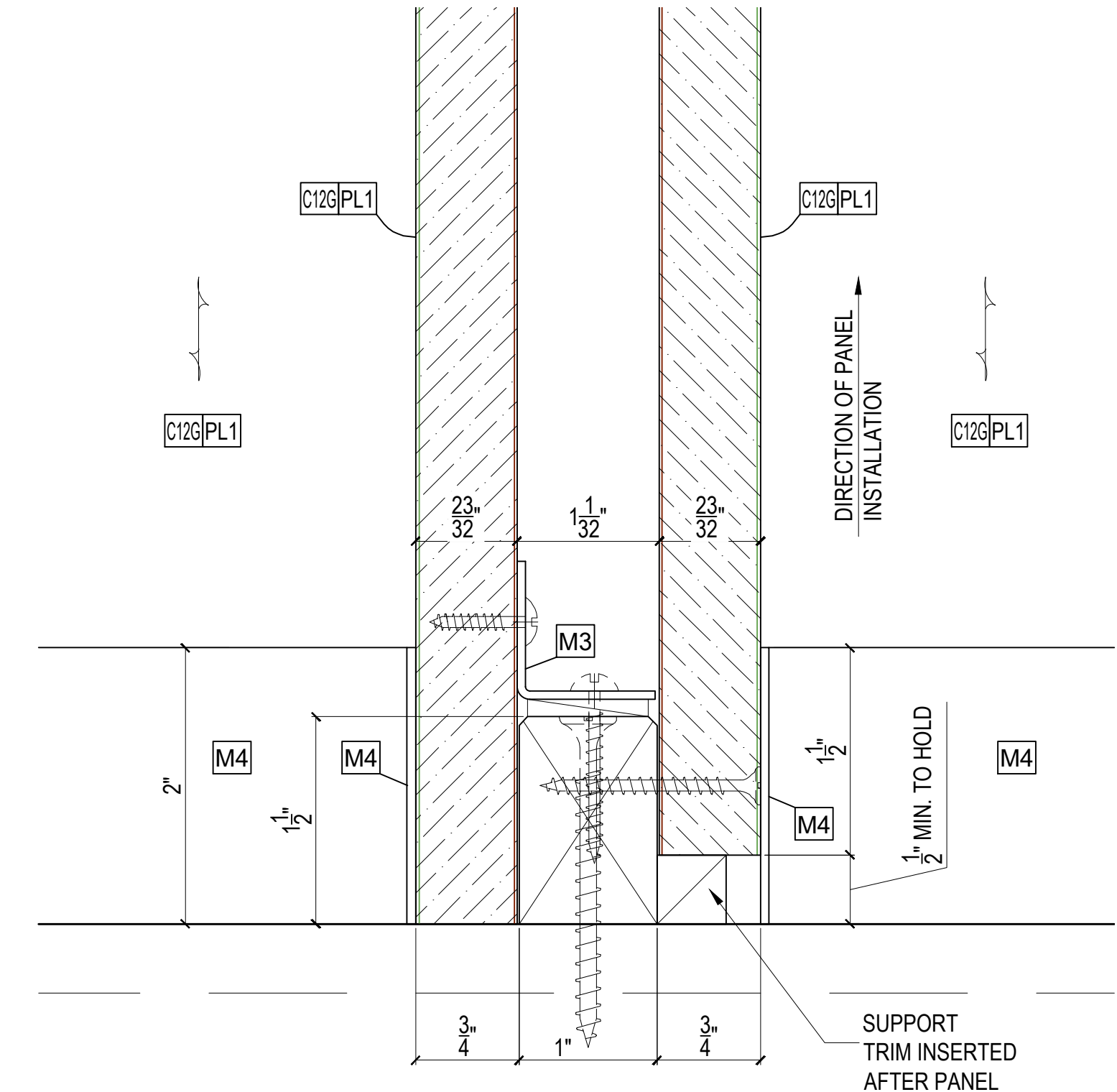
D13 1.4 DETAIL SCALE: 1/4"=1'-0" REF: 7/A-900.00 SIM.



D10 1.4 DETAIL SCALE: 1/4"=1'-0" REF: 6/A-900.00



D12 1.4 DETAIL SCALE: 1/4"=1'-0" REF: 7/A-900.00 SIM.



D14 1.4 DETAIL SCALE: 1/4"=1'-0" REF: 7/A-900.00 SIM.

LEED FSC NAUF FIRE RATED

MATERIAL DESCRIPTIONS:

Table with columns for material code and description, listing items like SW 6790-ADRIATIC SEA and FORMICA.

PLASTIC LAMINATE:

Table listing plastic laminate materials like FORMICA 7288-58 and FORMICA (TBD).

CORES / SUBSTRATES:

Table listing core materials like PARTICLEBOARD, MDF, and MADEX.

SOLID HARDWOOD:

Table listing solid hardwood materials like Solid Poplar.

DOOR SLAB ASSEMBLY:

Table listing door slab assembly materials like SC Door and HDF Skin.

OTHER MATERIAL (PVC, GLASS, STONE, METAL):

Table listing other materials like Z-Clip, Metal Angle Trim, Metal Angle, and Stainless Steel Shoe Plate.

HARDWARE:

Table listing hardware items like Salice hinges, hinge plates, and coat hook.

BY OTHERS / EXCLUSIONS:

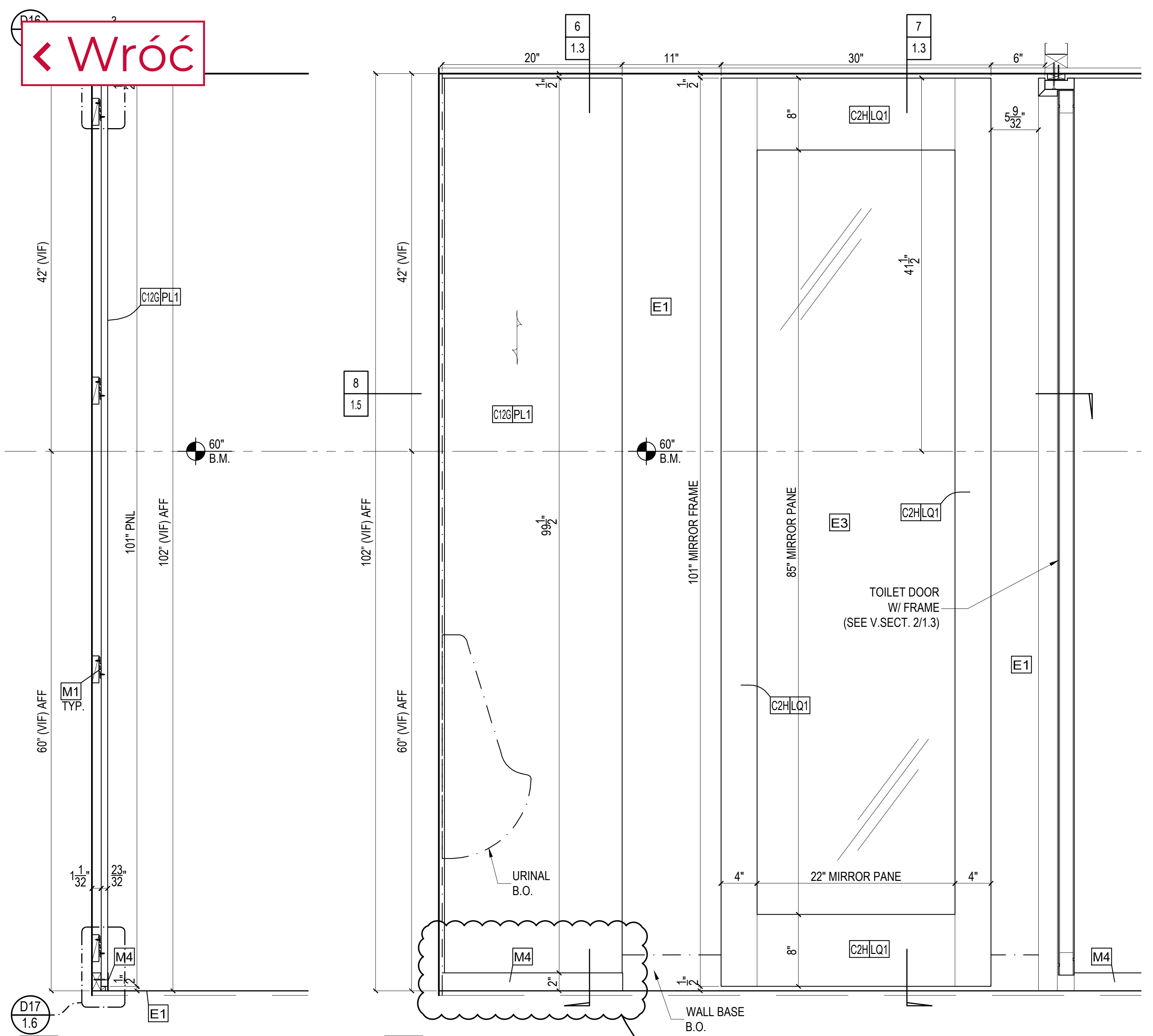
Table listing items provided by others or excluded, such as Slab, Wall Ceramic Tiles, and Lavatory.

STAMP:

Table for project information including DATE, ISSUED FOR, and BY.

Item Number: 1, Job Number, Drawing No. 1.4

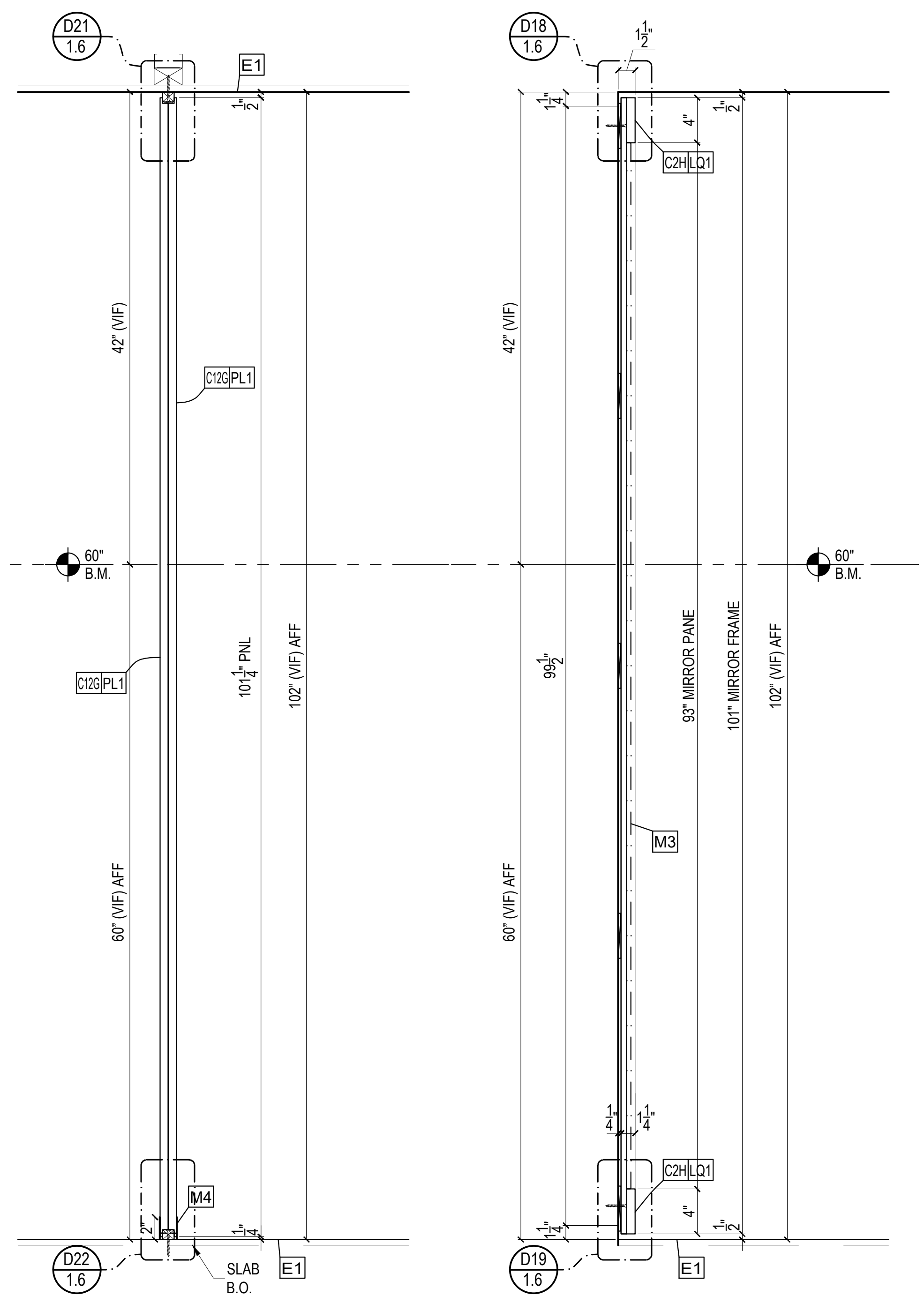
< Wróć



4 VERT. SECT.
SCALE: 1-1/2"=1'-0" REF: N/A

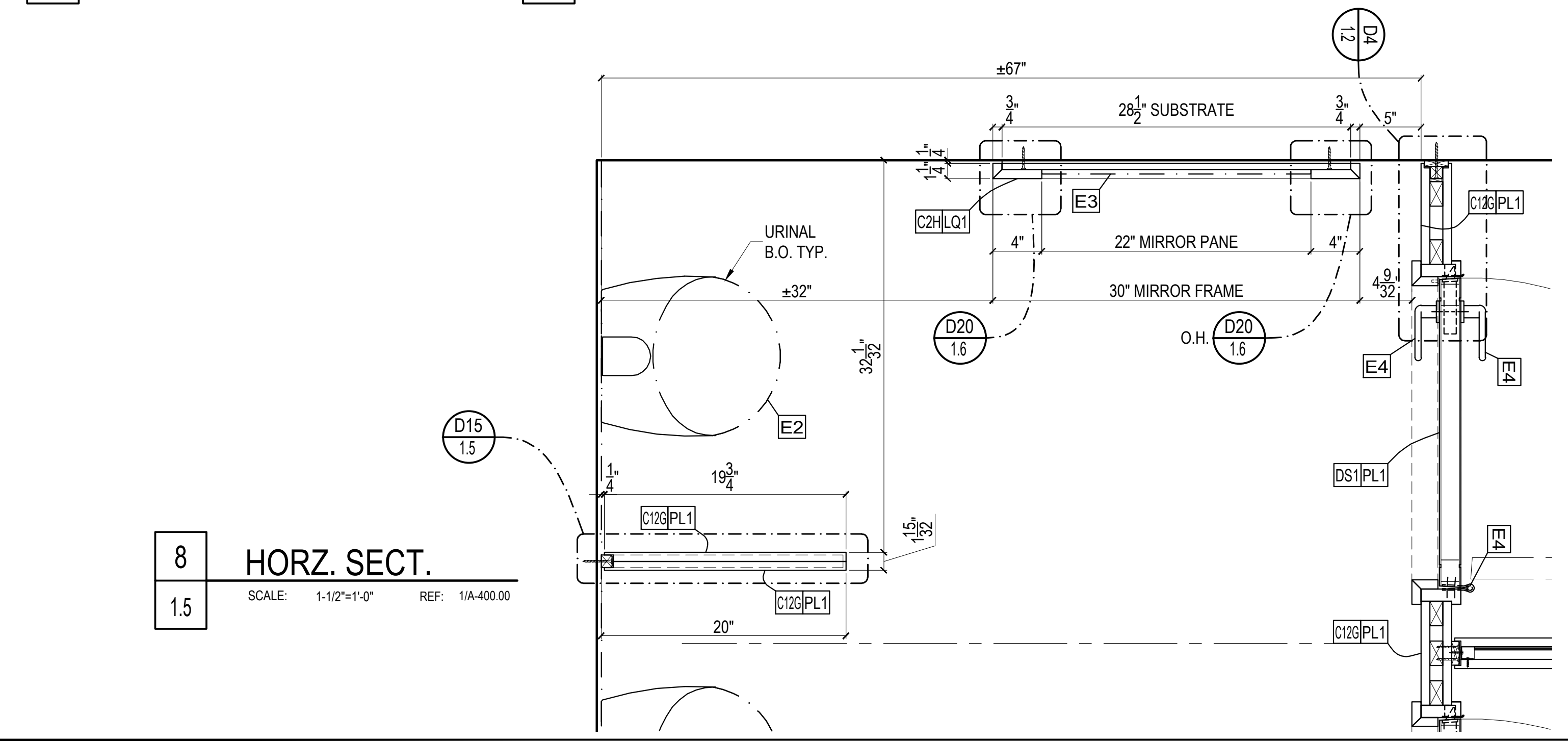
5 VERT. SECT.
SCALE: 1-1/2"=1'-0" REF: 5/A-801.00 SIM.

ARCHITECT PLEASE VERIFY METAL BASE AT DIVIDERS.

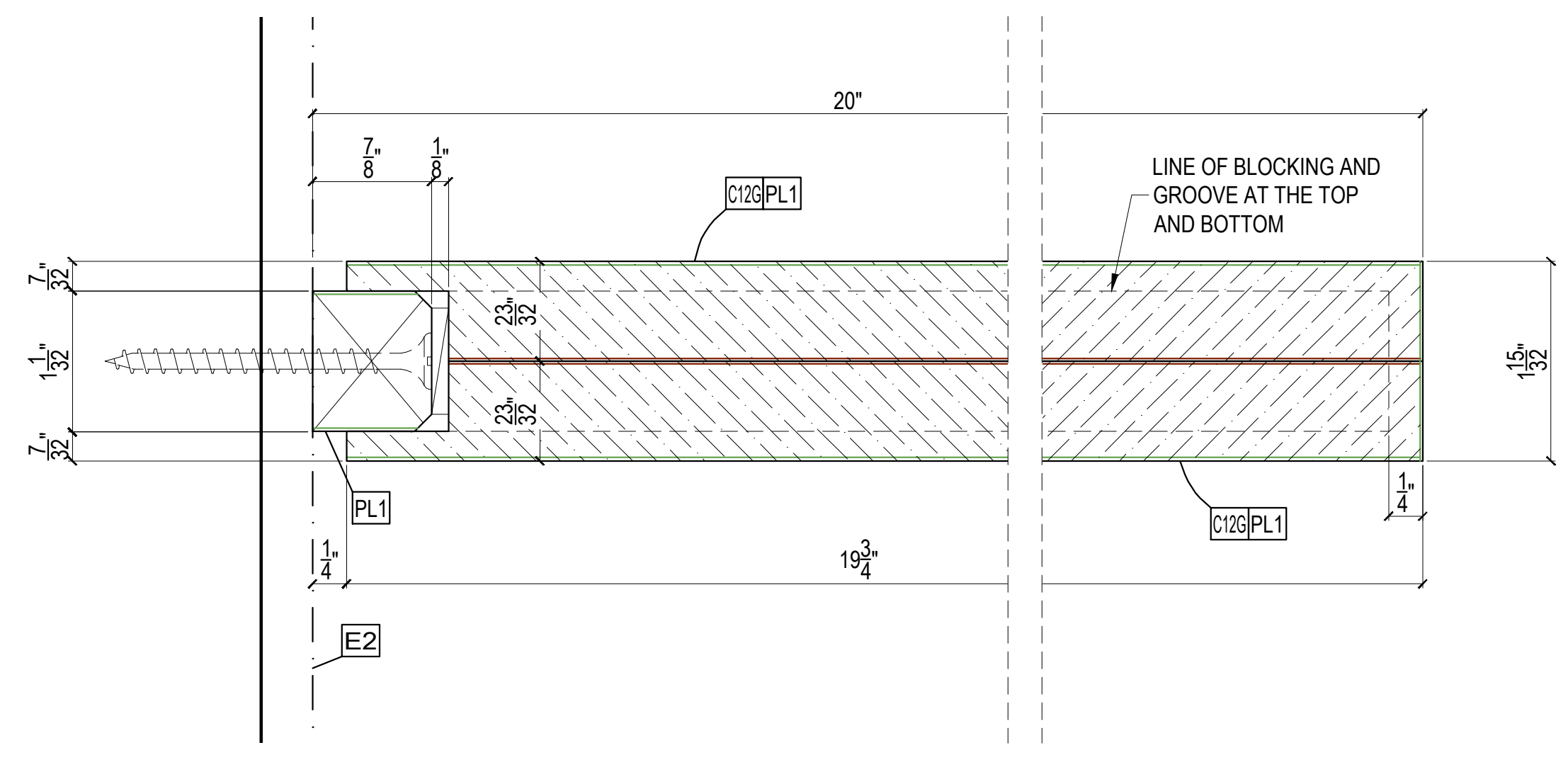


6 VERT. SECT.
SCALE: 1-1/2"=1'-0" REF: 5/A-900.00 SIM.

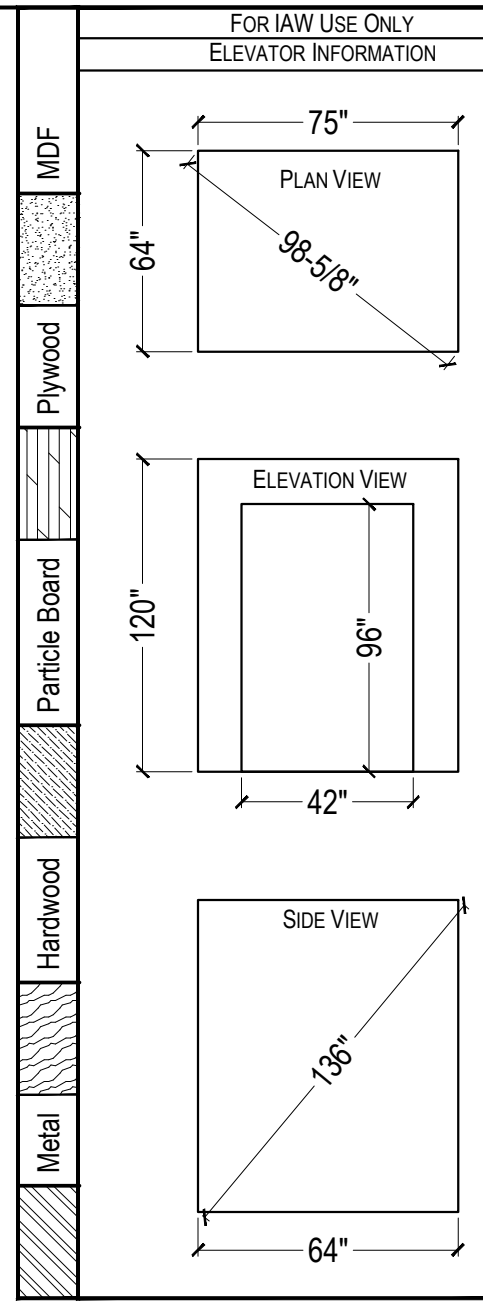
7 VERT. SECT.
SCALE: 1-1/2"=1'-0" REF: 2/A-900.00



8 HORZ. SECT.
SCALE: 1-1/2"=1'-0" REF: 1/A-400.00



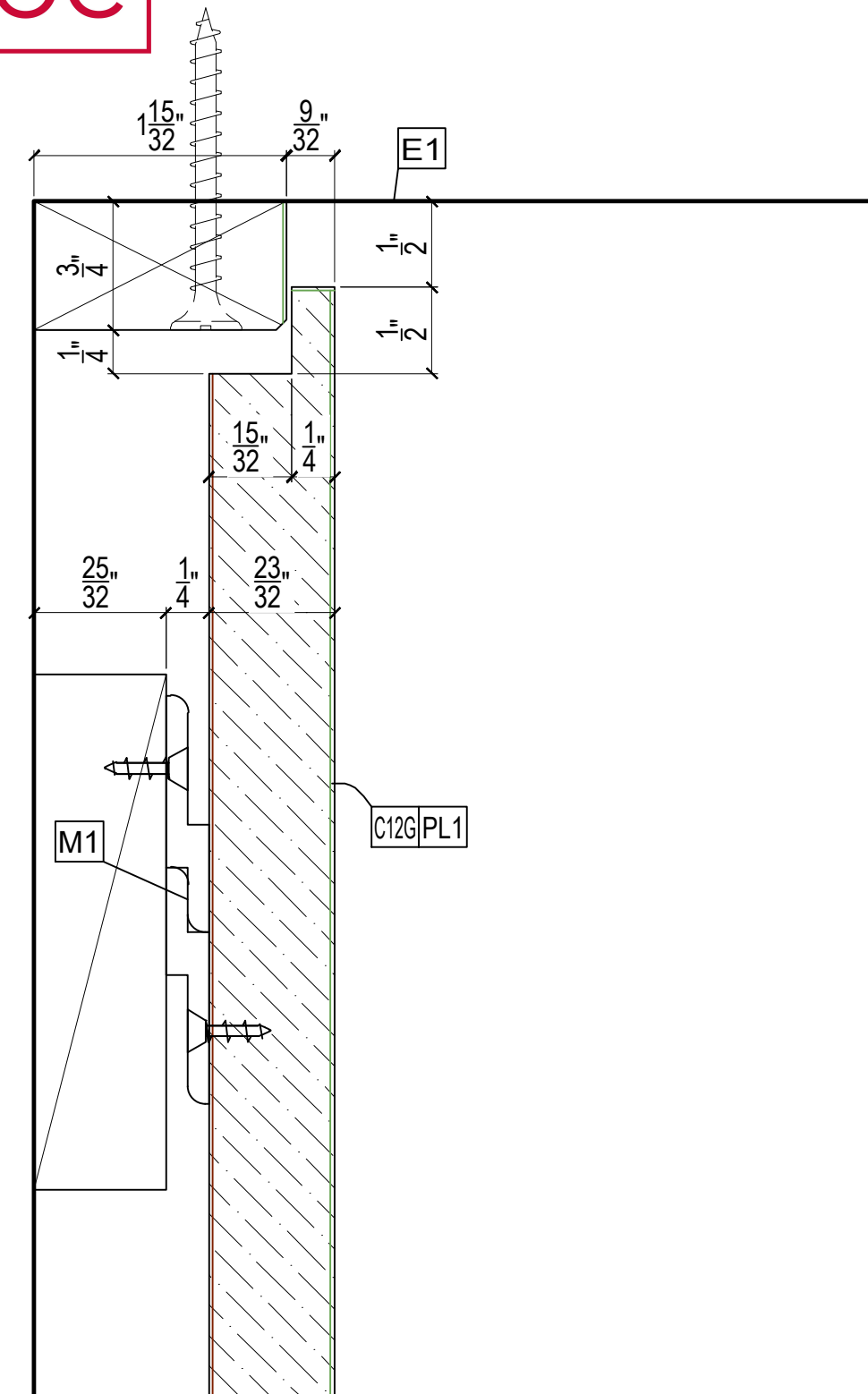
D15 DETAIL
SCALE: 1'-0"=1'-0" REF: 5/A-900.00



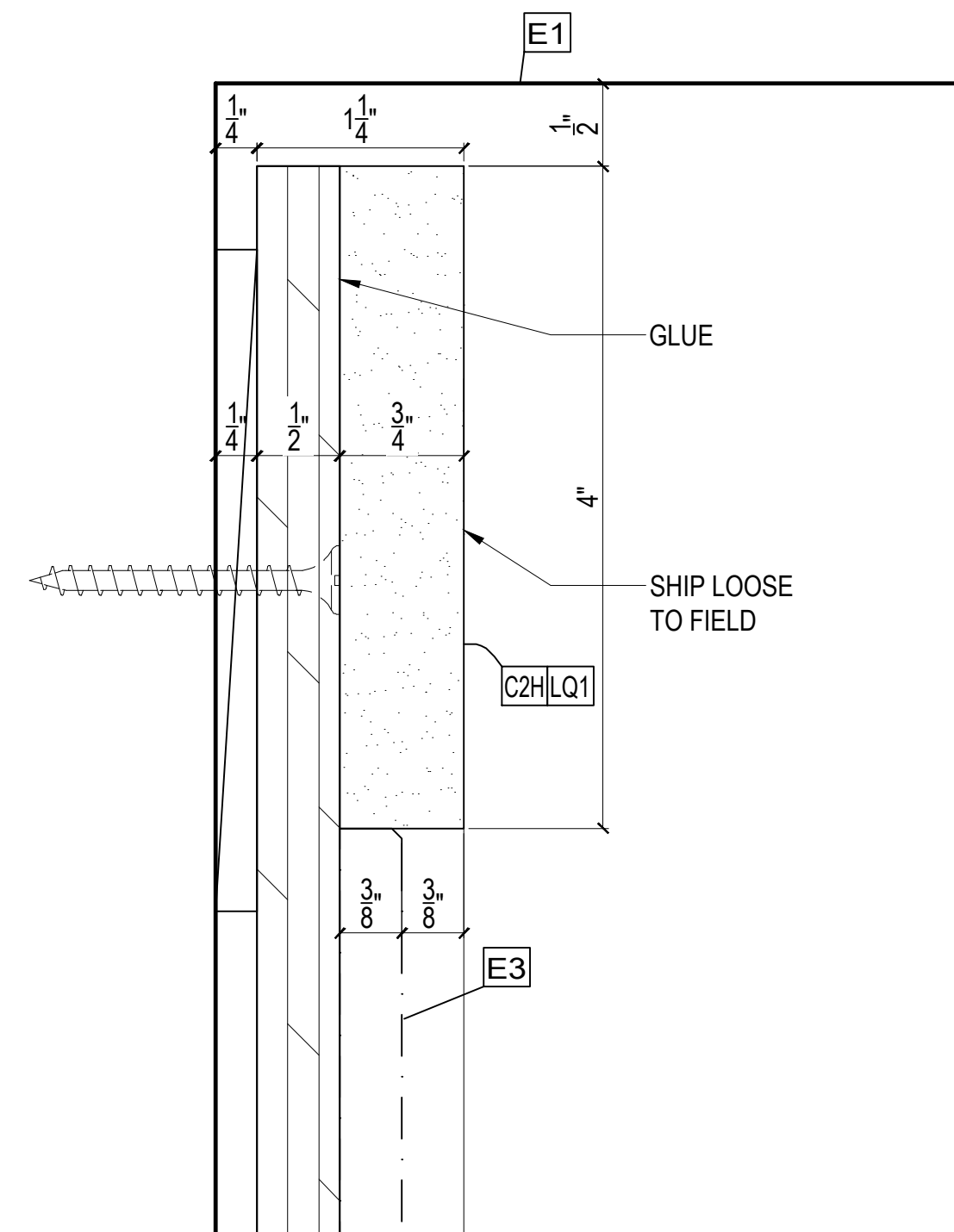
FOR LAW USE ONLY ELEVATOR INFORMATION			
<input type="checkbox"/> LEED <input type="checkbox"/> FSC <input type="checkbox"/> NAUF <input type="checkbox"/> FIRE RATED			
MATERIAL DESCRIPTIONS:			
FINISH / WOOD SPECIES:			
L01	SW 8790 - ADRIATIC SEA, FINISH OFF THE GUN HIGH GLOSS		
PL1	FORMICA 7288-58 GINGER ROOT MAPLE, MATTE		
PL2	FORMICA (TBD)		
PLASTIC LAMINATE:			
PL1	FORMICA 7288-58 GINGER ROOT MAPLE, MATTE		
PL2	FORMICA (TBD)		
CORES / SUBSTRATES:			
C12G	11/16" PARTICLEBOARD		
C1G	11/16" MDF		
C1C	1/4" MDF		
C36H	3/4" WHITE MELAMINE 2 Sided		
C39E	1/2" WHITE MELAMINE 1 sided		
C2H	3/4" MDF UV		
C62C	1/4" MADEX		
C62G	11/16" MADEX		
SOLID HARDWOOD:			
S1	Solid Poplar		
DOOR SLAB ASSEMBLY:			
DS1	(PL1) On 1-3/4" SC Door (1-11/16" PB Core, 2.3mm HDF Skin, Timberstrand & Solid WD Edge To Match Veneer)		
OTHER MATERIAL (PVC, GLASS, STONE, METAL):			
M1	Z-Clip, 3/8" Lift Off		
M2	Metal Angle Trim		
M3	Metal Angle		
M4	Stainless Steel Shoe Plate		
M5	Alum. Angle		
HARDWARE:			
H1	Salice #C2R8A99 (120") S/C Hinge	FINISH:	QTY:
H2	Salice #C2R8A99 (94") S/C Hinge	-	-
H3	Salice #BARGR09 (Omm) Hinge Plate	-	-
H4	Coat Hook - Bobrick B-6777	-	-
BY OTHERS / EXCLUSIONS:			
E1	Slab, Floor, Wall, Ceiling	E6	Lavatory
E2	Wall Ceramic Tiles	E7	Faucet
E3	3/8" Thk. Safety Mirror Glass	E8	Soap Dispenser
E4	Door Hardware	E9	Paper Towel Dispenser
E5	1-1/4" Thk. Stone (SS-1)	E10	Light Fixture
STAMP:			
DATE:	ISSUED FOR:	BY:	
7.9.19	Approval	PD	

DATE:		ISSUED FOR:		BY:	
7.9.19		Approval		PD	
JOB NUMBER:		ITEM NUMBER:		DRAWING NO.	
		1		1.5	

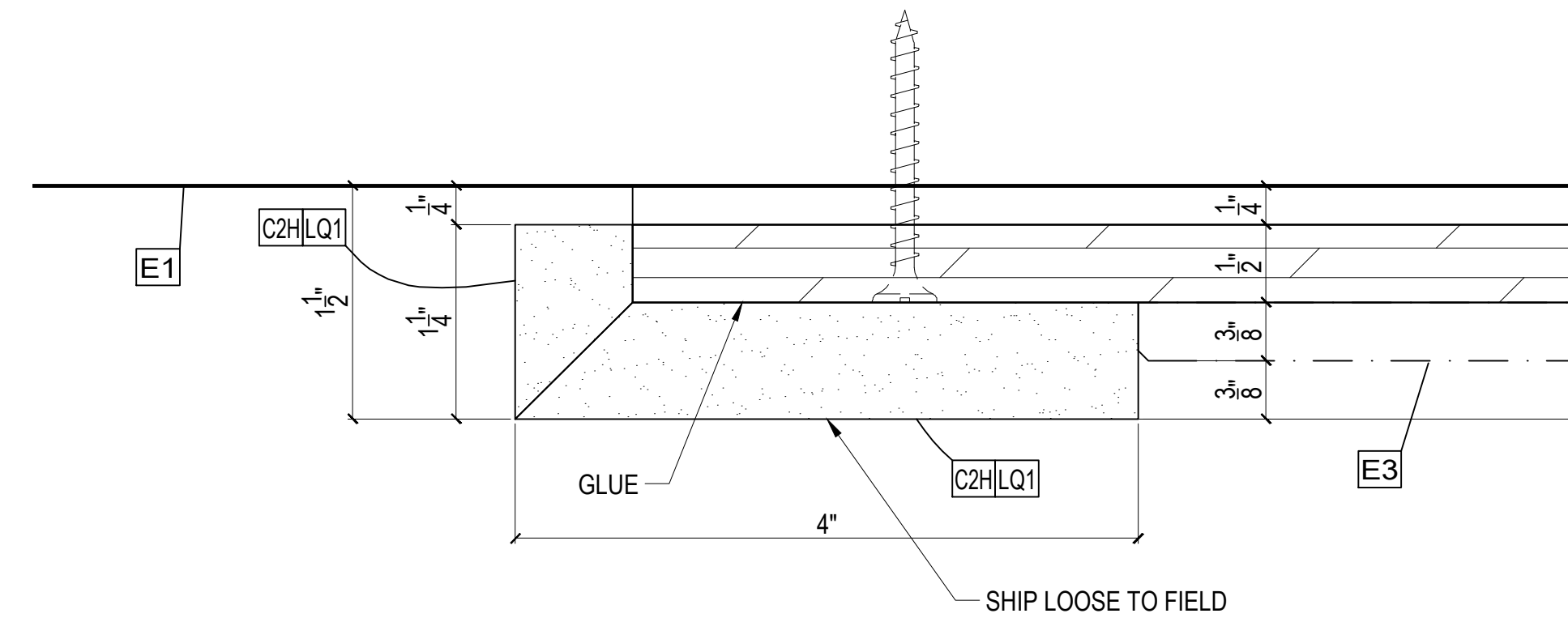
< Wróć



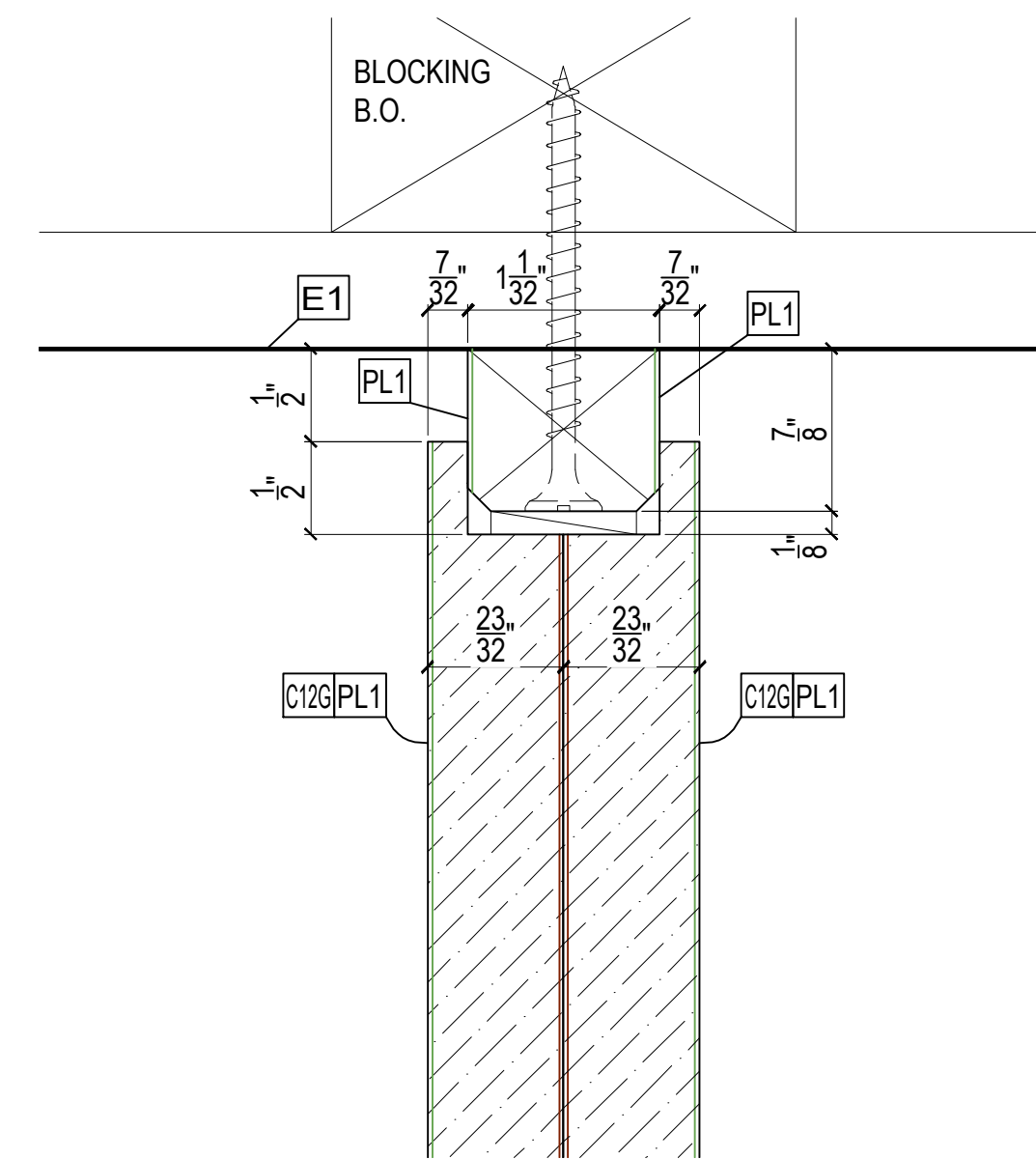
D16
1.6
SCALE: 1'-0"=1'-0" REF: 8/A-900.00



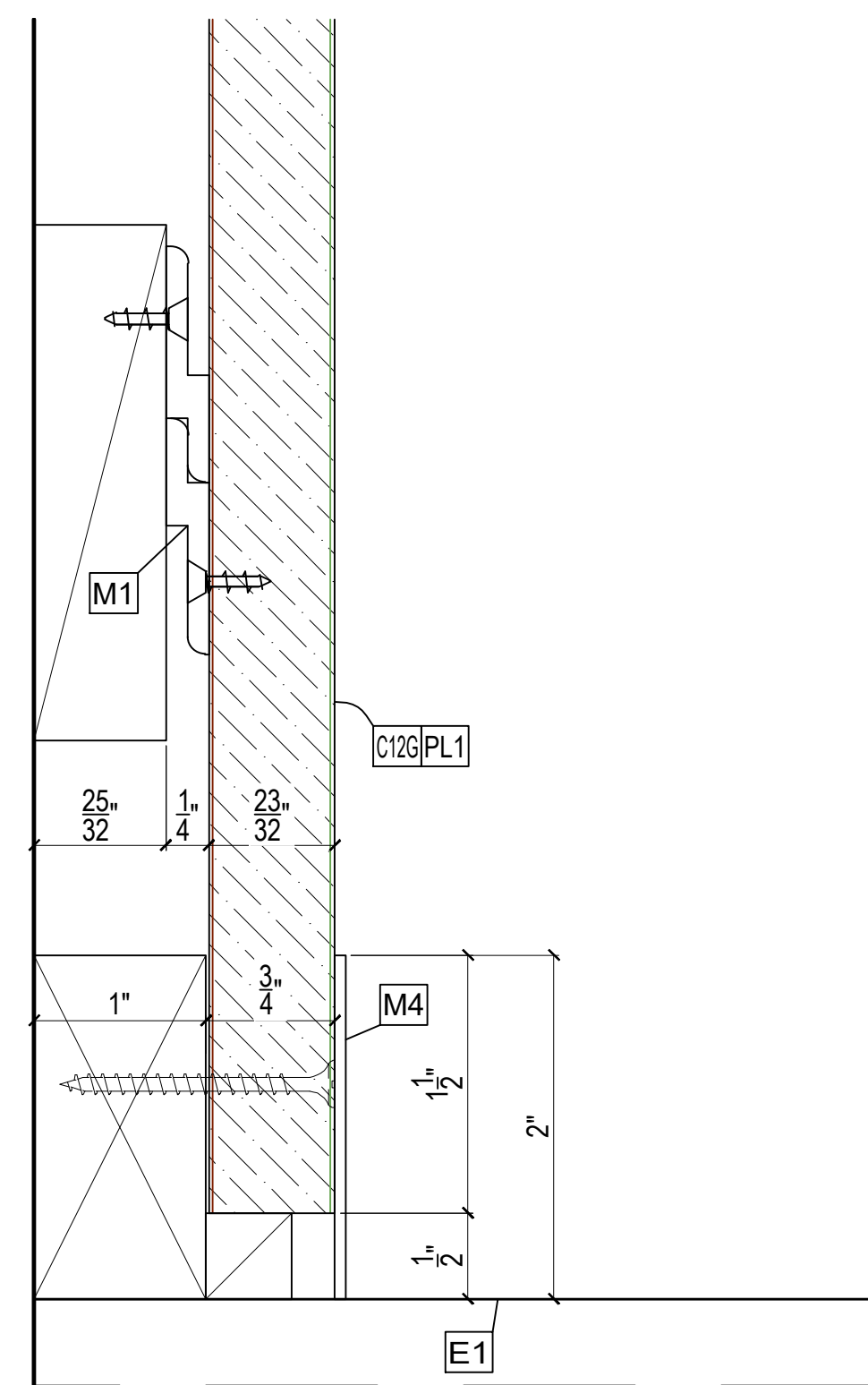
D18
1.6
SCALE: 1'-0"=1'-0" REF: 8/A-900.00



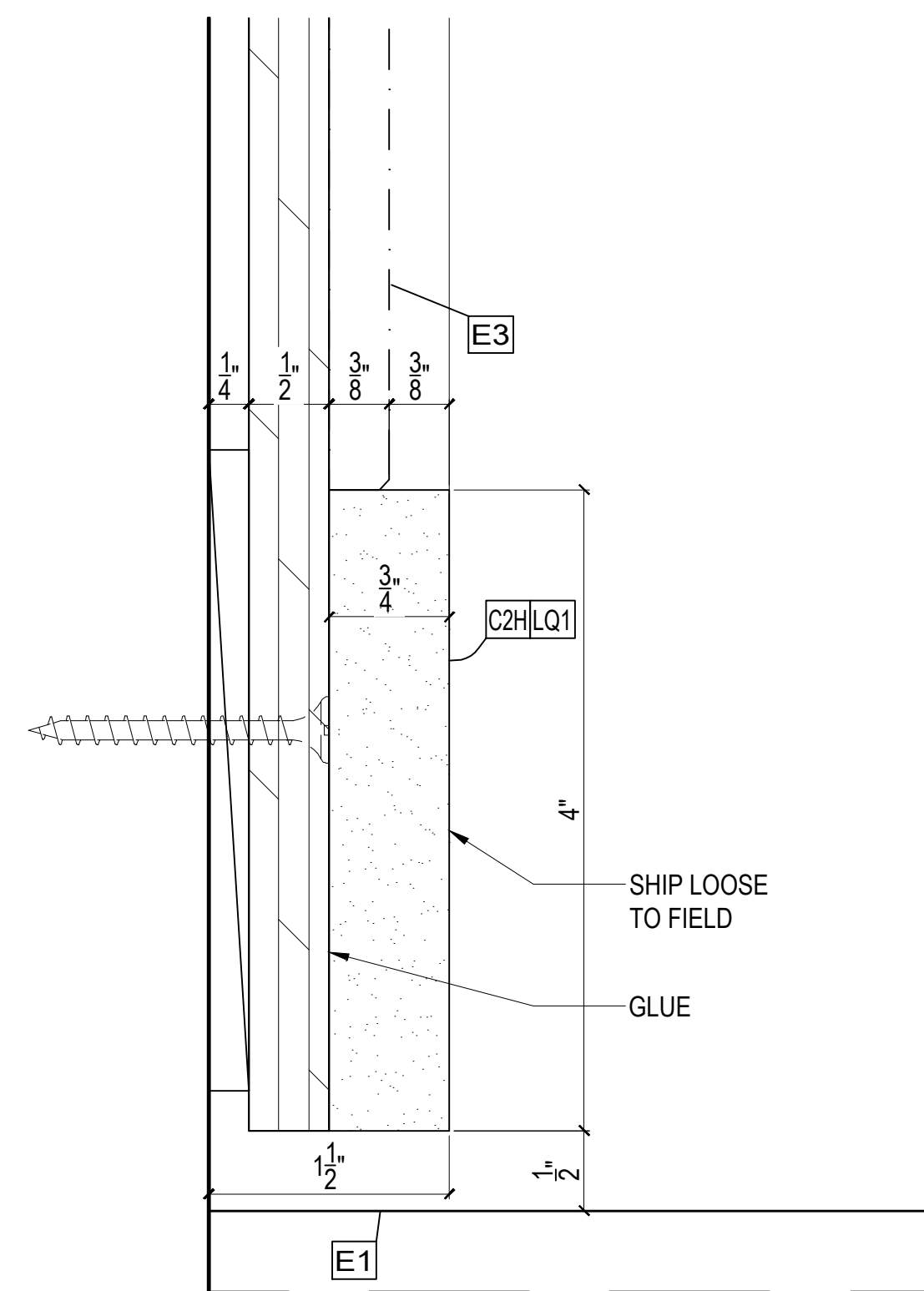
D20
1.6
SCALE: 1'-0"=1'-0" REF: 8/A-900.00



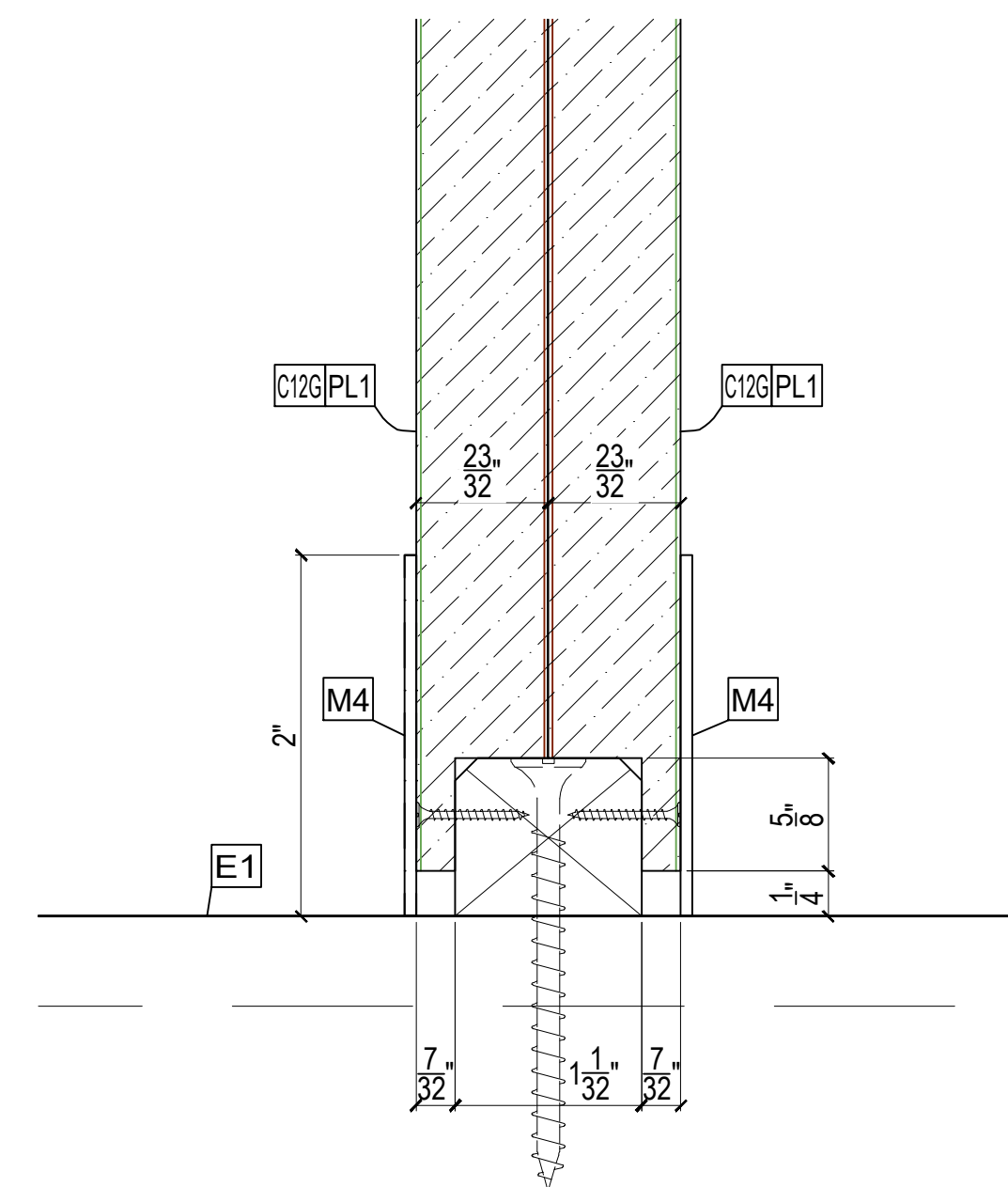
D21
1.6
SCALE: 1'-0"=1'-0" REF: 8/A-900.00



D17
1.6
SCALE: 1'-0"=1'-0" REF: 8/A-900.00



D19
1.6
SCALE: 1'-0"=1'-0" REF: 8/A-900.00



D22
1.6
SCALE: 1'-0"=1'-0" REF: N/A

LEED FSC NAUF FIRE RATED

MATERIAL DESCRIPTIONS:

FINISH / WOOD SPECIES:	
LQ1	SW 6790 - ADRIATIC SEA, FINISH OFF THE GUN HIGH GLOSS
-	-
-	-
-	-
-	-
-	-

PLASTIC LAMINATE:

PL1	FORMICA 7288-58 GINGER ROOT MAPLE, MATTE
PL2	FORMICA (TBD)
-	-

CORES / SUBSTRATES:

C12G	11/16" PARTICLEBOARD
C1G	11/16" MDF
C1C	1/4" MDF
C36H	3/4" WHITE MELAMINE 2 Sided
C39E	1/2" WHITE MELAMINE 1 sided
C2H	3/4" MDF UV
C62C	1/4" MADEX
C62G	11/16" MADEX
-	-
-	-
-	-
-	-

SOLID HARDWOOD:

S1	Solid Poplar
-	-
-	-
-	-
-	-

DOOR SLAB ASSEMBLY:

DS1	(PL1) On 1-3/4" SC Door (1-11/16" PB Core, 2.3mm HDF Skin, Timberstrand & Solid WD Edge To Match Veneer)
-	-
-	-
-	-

OTHER MATERIAL (PVC, GLASS, STONE, METAL):

M1	Z-Clip, 3/8" Lift Off
M2	Metal Angle Trim
M3	Metal Angle
M4	Stainless Steel Shoe Plate
M5	Alum. Angle
-	-

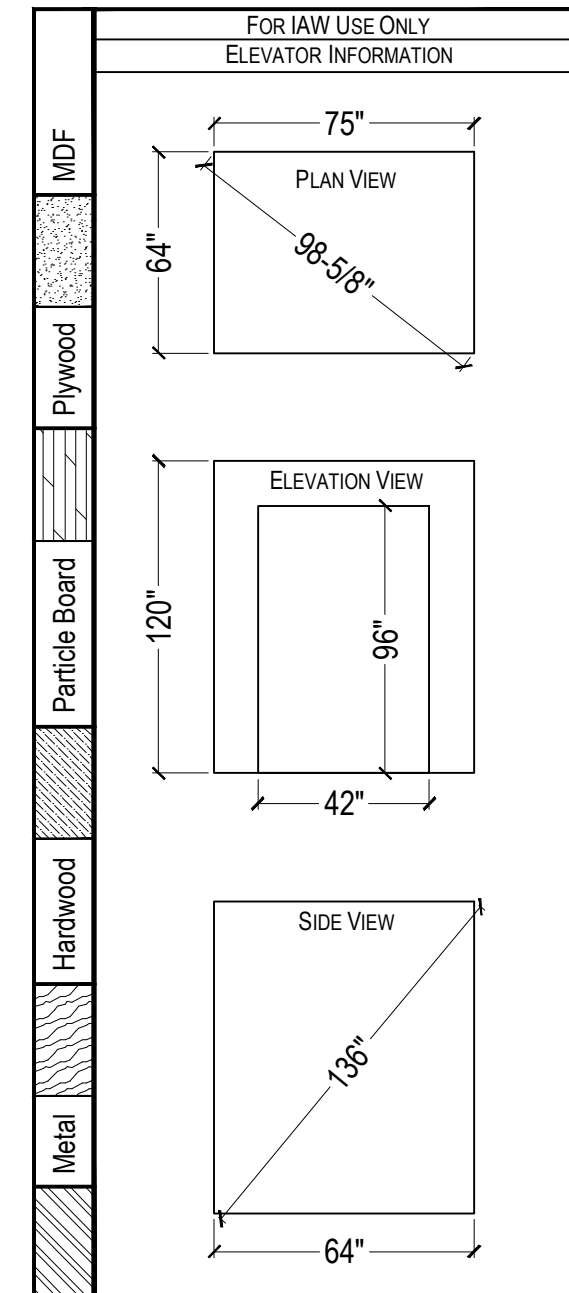
HARDWARE:	FINISH:	QTY:
H1	Salice #C2R9A99 (120°) S/C Hinge	-
H2	Salice #C2R9A99 (94°) S/C Hinge	-
H3	Salice #BARGR09 (Omm) Hinge Plate	-
H4	Coat Hook - Bobrick B-6777	-
-	-	-
-	-	-
-	-	-
-	-	-
-	-	-
-	-	-
-	-	-
-	-	-
-	-	-
-	-	-
-	-	-
-	-	-
-	-	-
-	-	-
-	-	-

BY OTHERS / EXCLUSIONS:

E1	Slab, Floor, Wall, Ceiling	E6	Lavatory
E2	Wall Ceramic Tiles	E7	Faucet
E3	3/8" Thk. Safety Mirror Glass	E8	Soap Dispenser
E4	Door Hardware	E9	Paper Towel Dispenser
E5	1-1/4" Thk. Stone (SS-1)	E10	Light Fixture

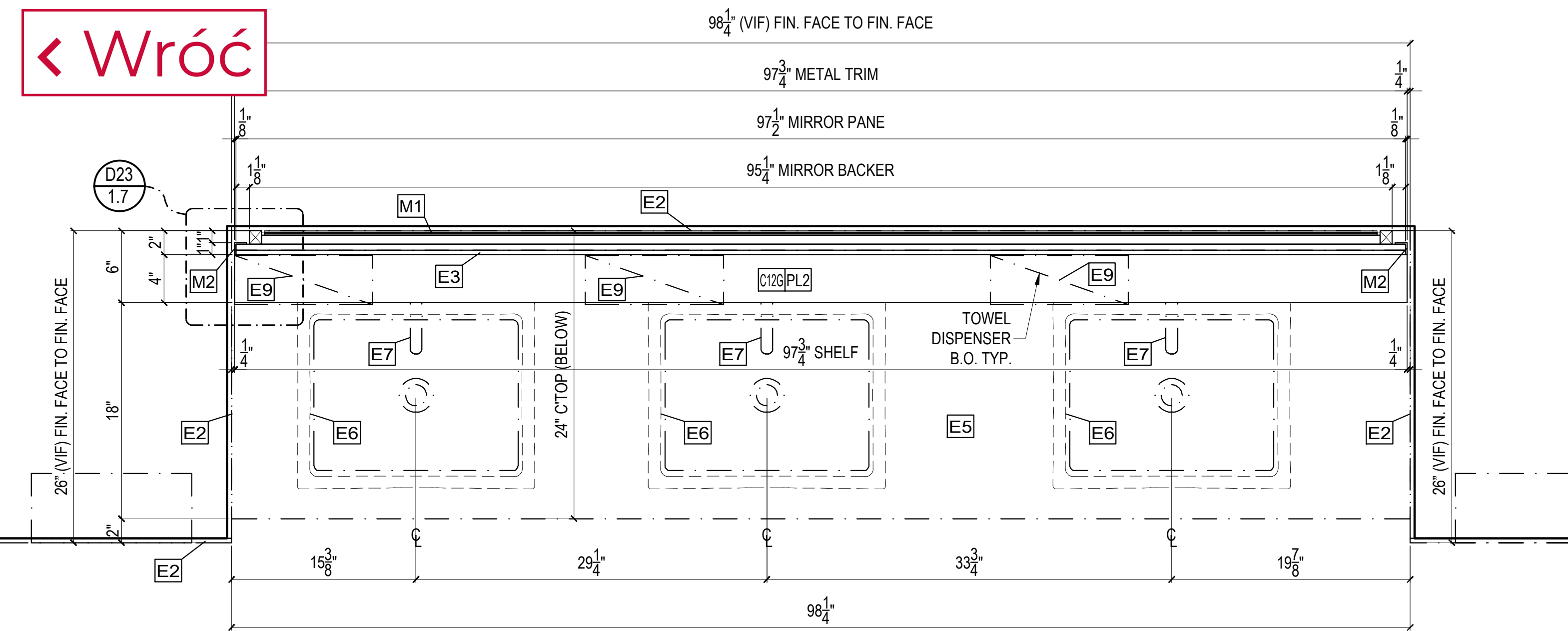
STAMP:

DATE:	ISSUED FOR:	BY:
7.9.19	Approval	PD
-	-	-
-	-	-
-	-	-

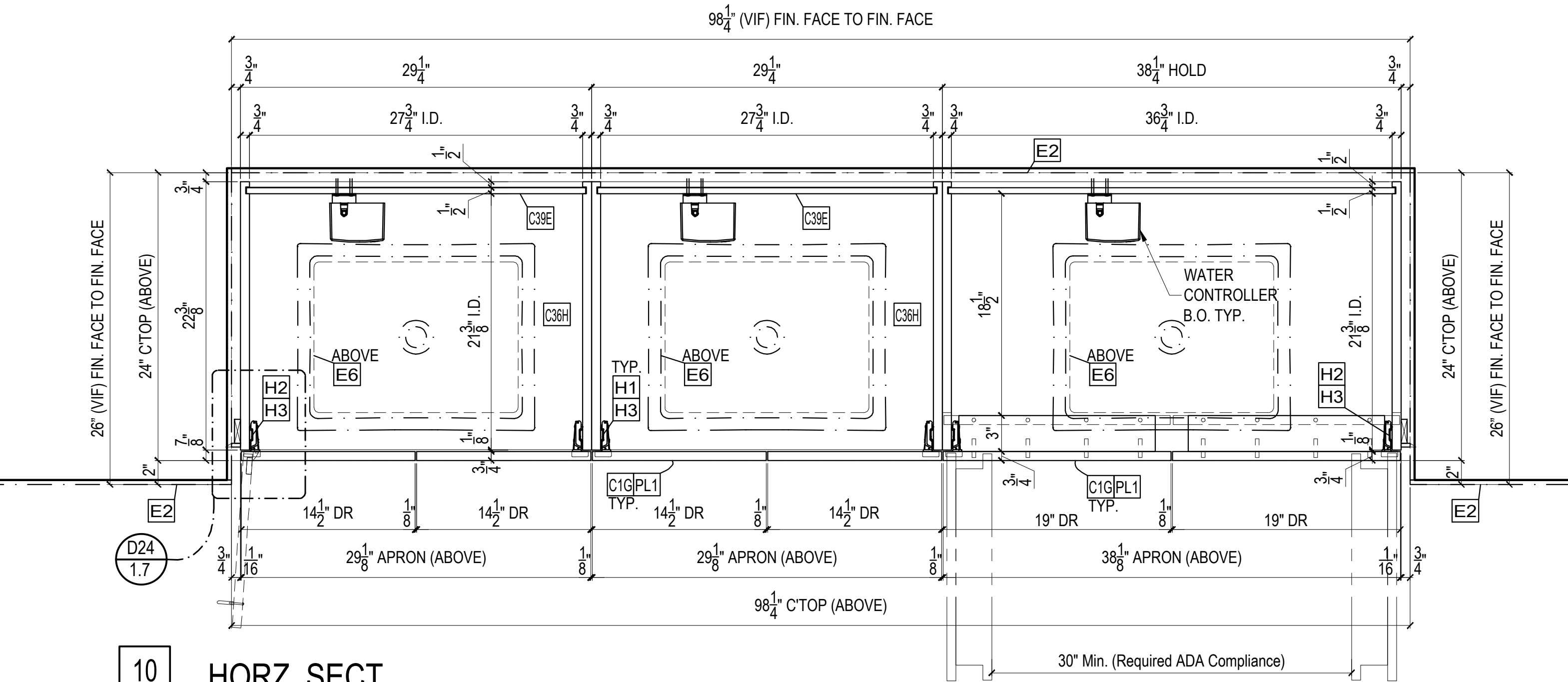


FOR IAW USE ONLY ELEVATOR INFORMATION	ITEM NUMBER: 1
JOB NUMBER:	DRAWING NO. 1.6

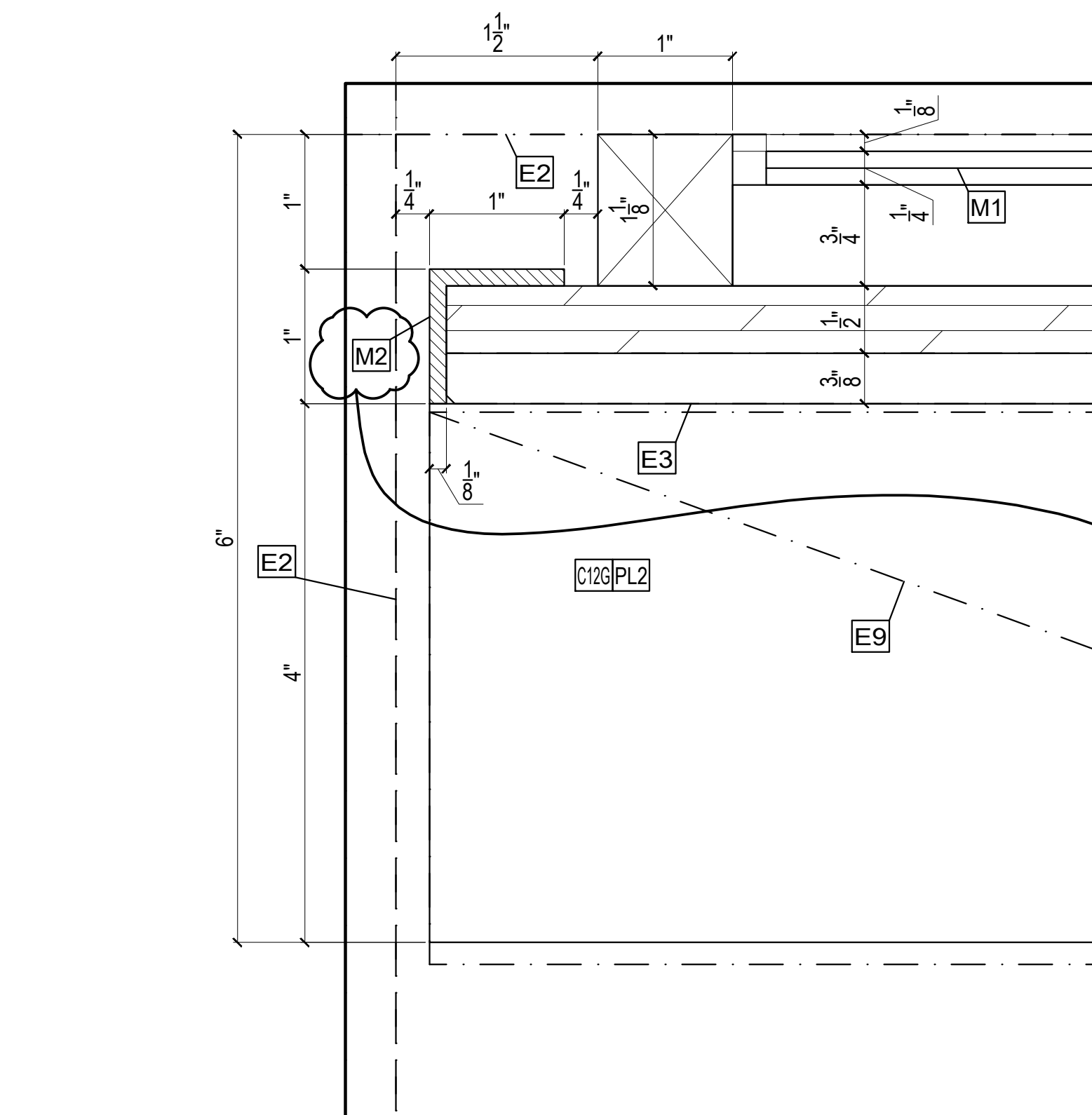
< Wróc



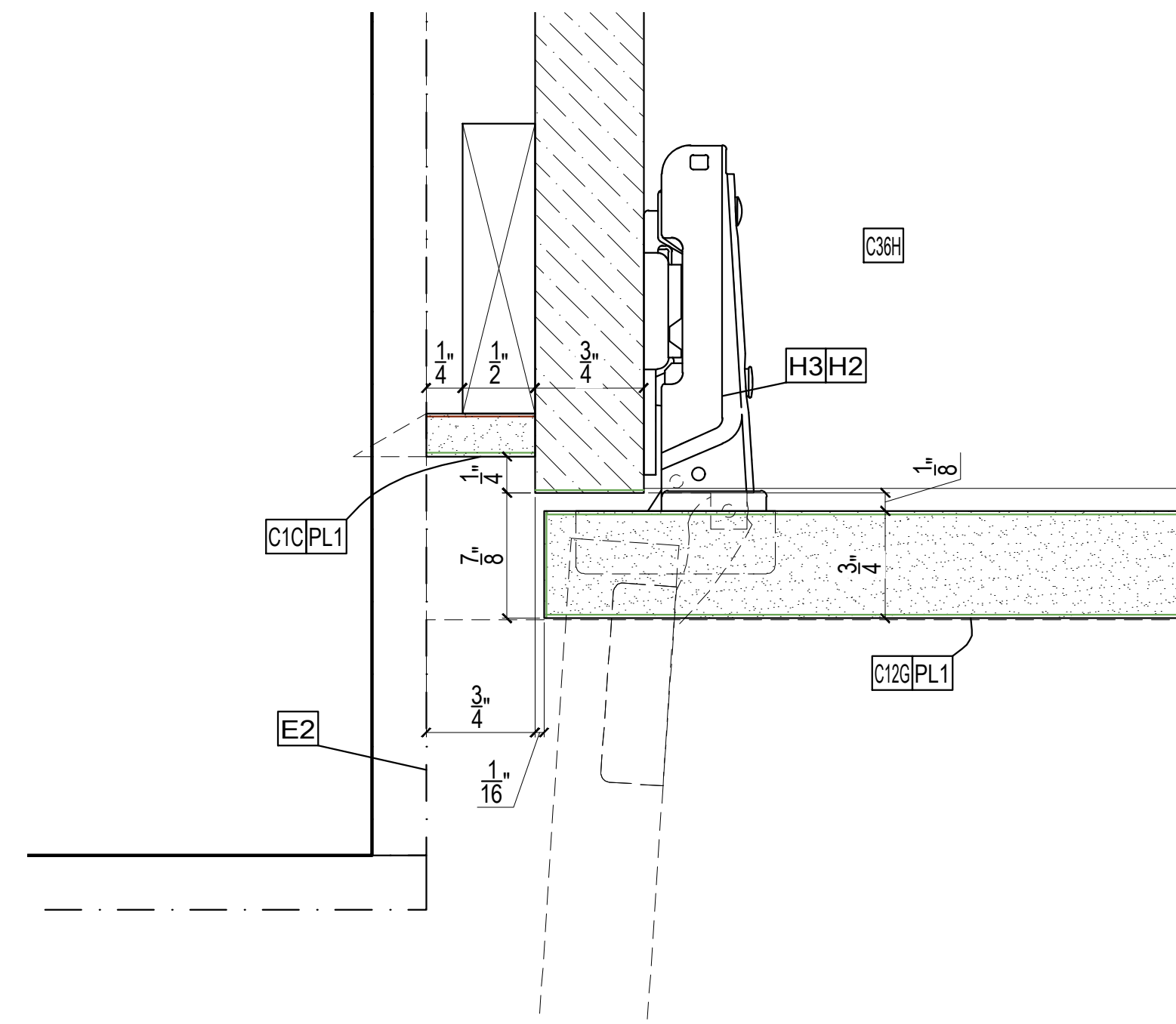
9 **HORZ. SECT.**
SCALE: 1-1/2"=1'-0" REF: N/A



10 **HORZ. SECT.**
SCALE: 1-1/2"=1'-0" REF: N/A



D23 **DETAIL**
SCALE: 1'-0"=1'-0" REF: N/A

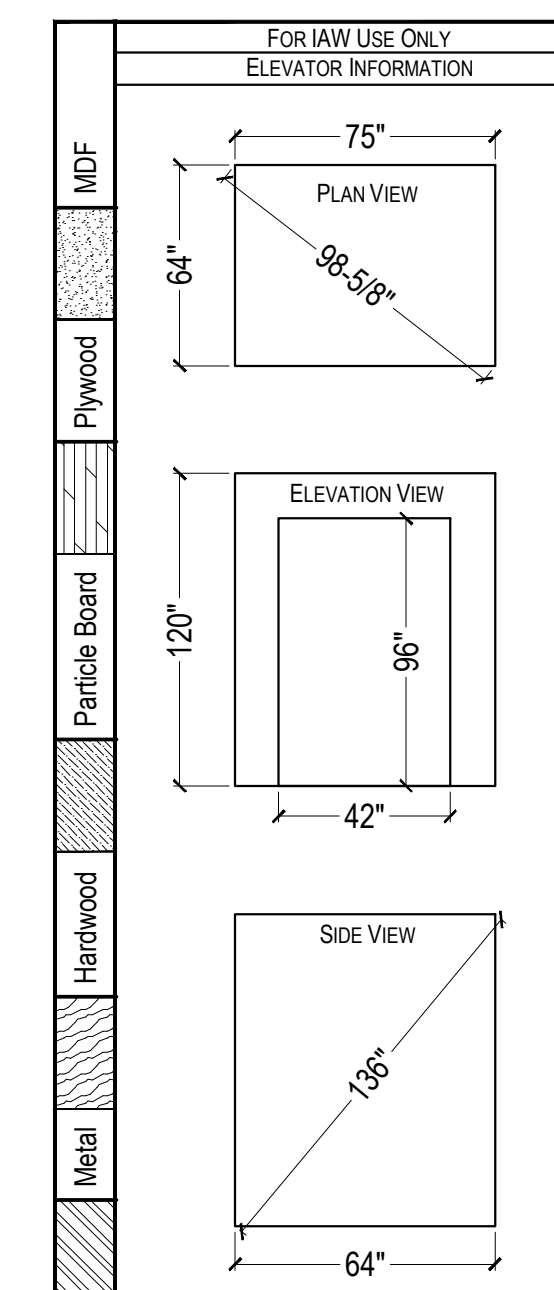


D24 **DETAIL**
SCALE: 1'-0"=1'-0" REF: N/A

ARCHITECT PLEASE SPECIFY FINISH.

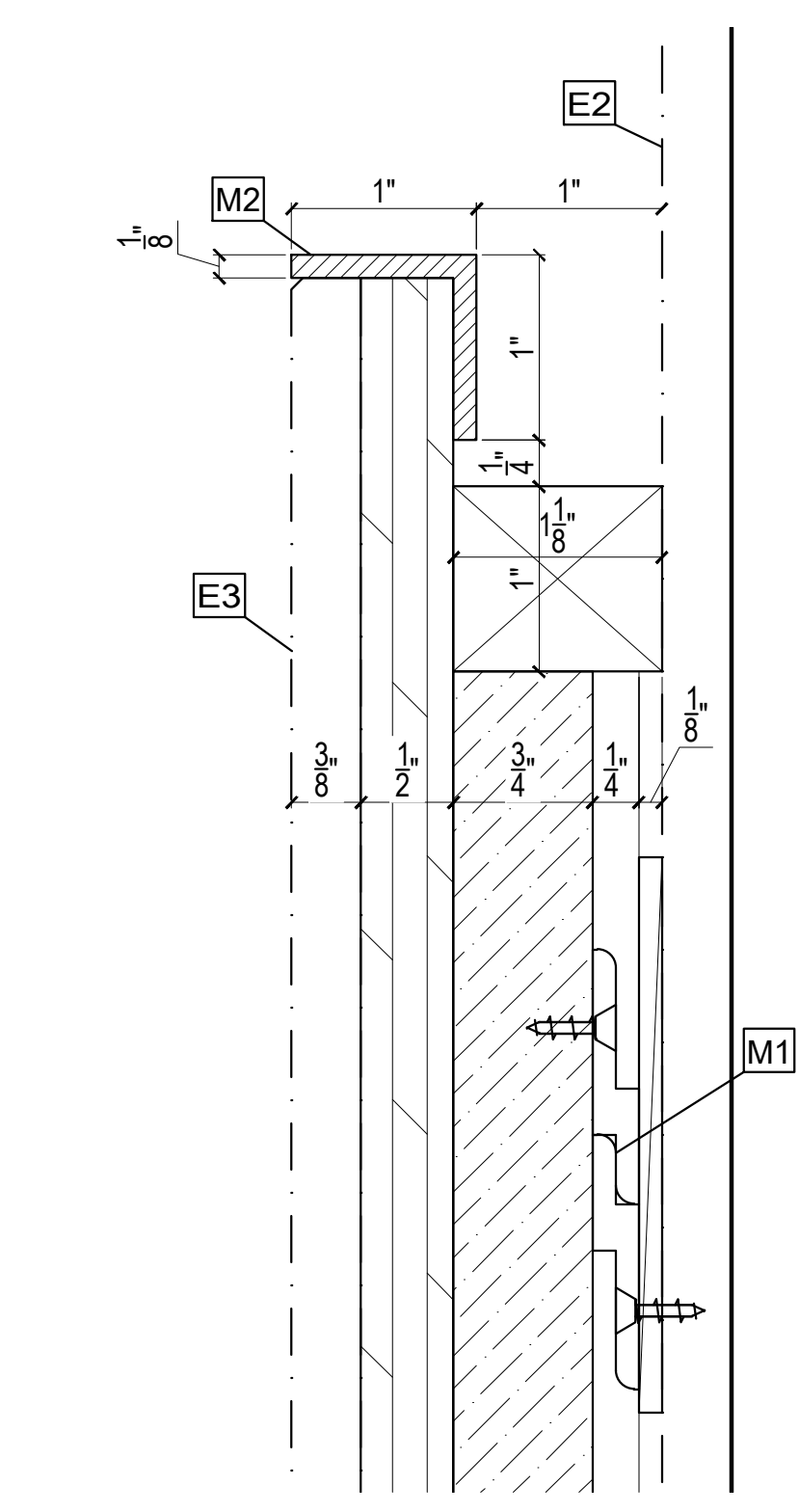
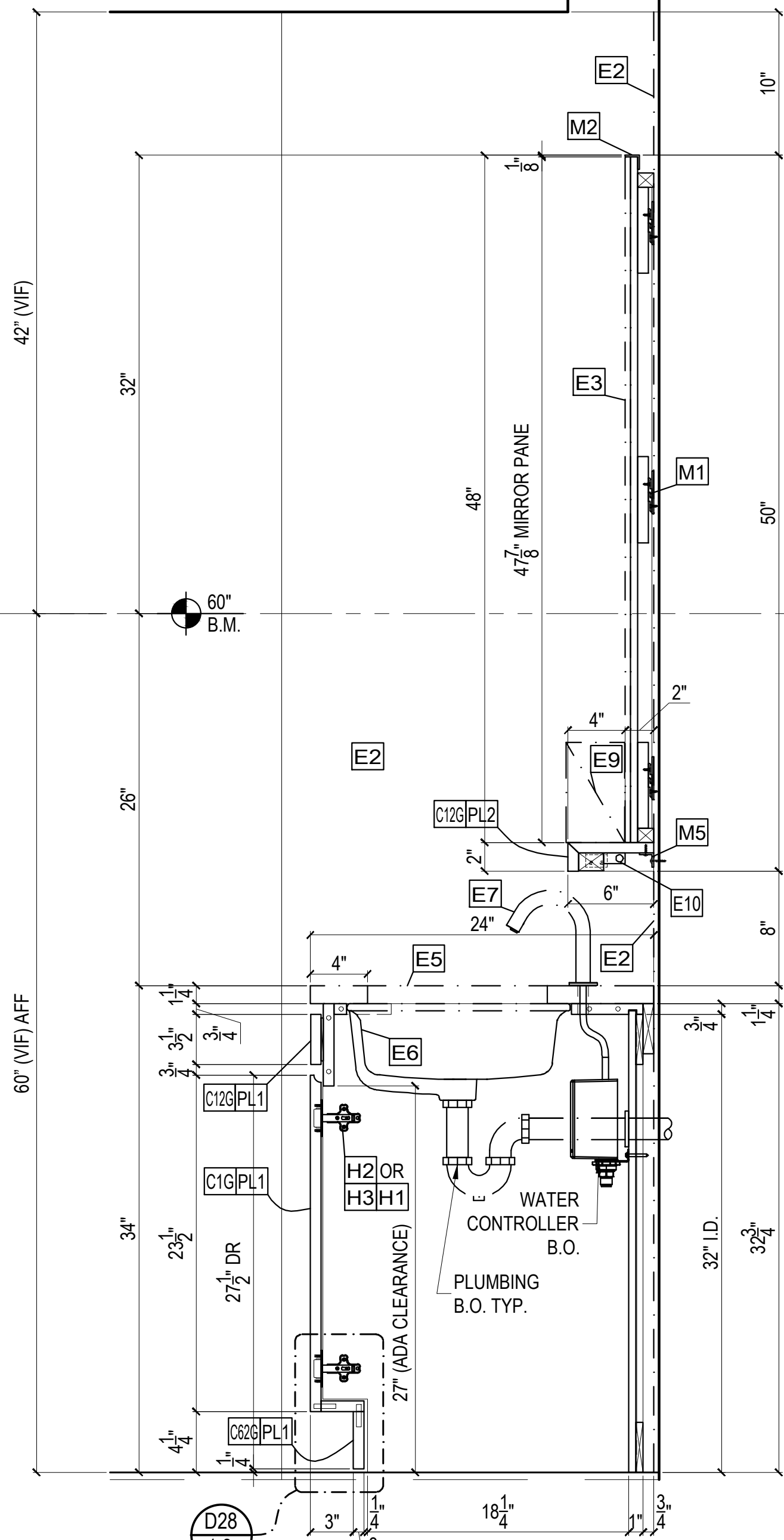
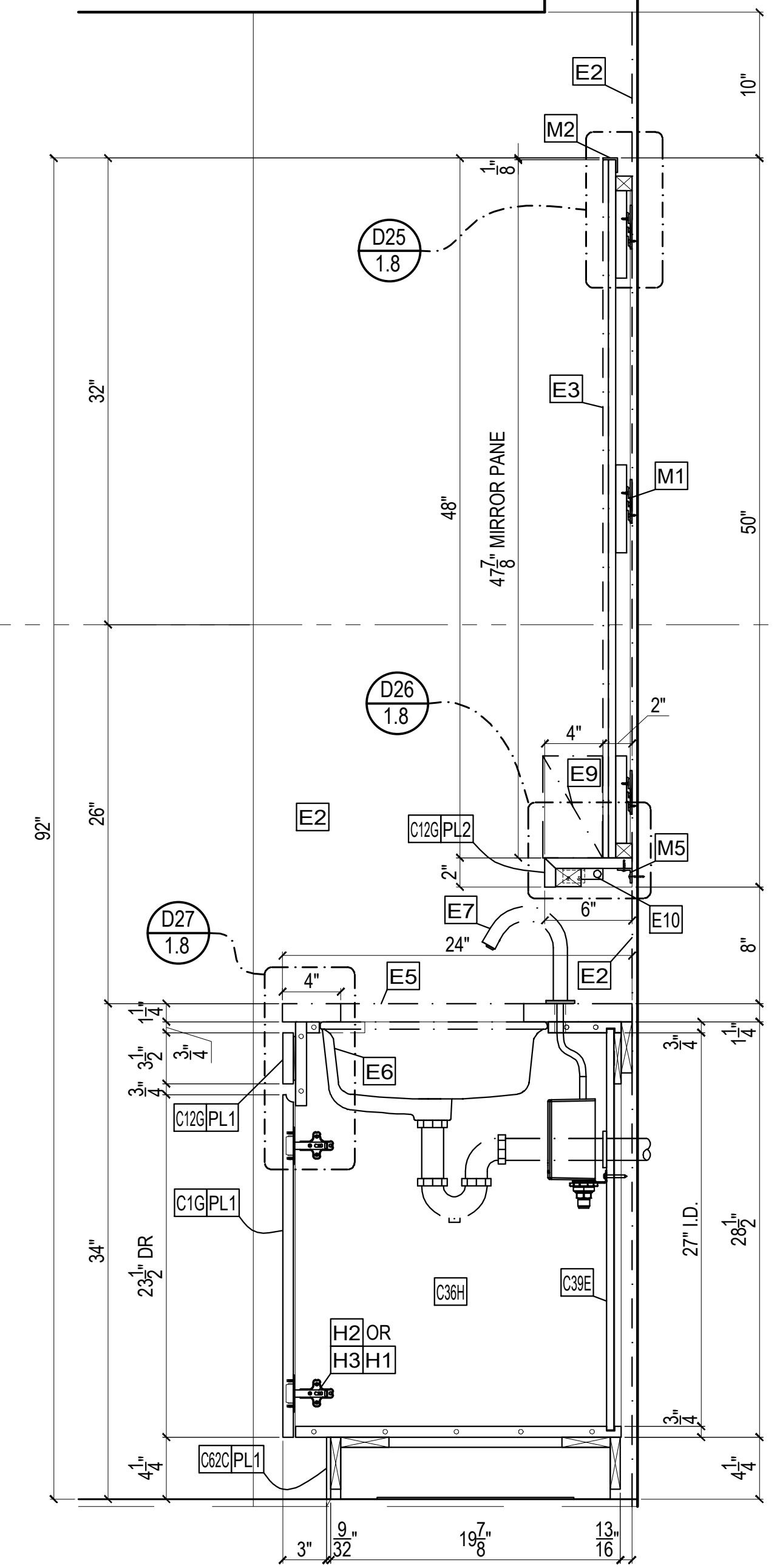
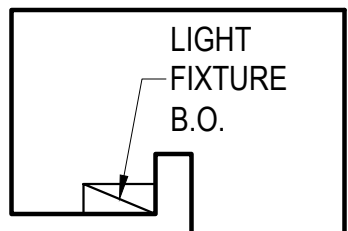
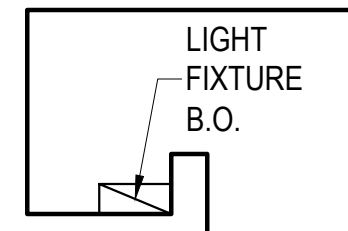
LEED FSC NAUF FIRE RATED

MATERIAL DESCRIPTIONS:			
FINISH / WOOD SPECIES:			
L01	SW 6790 - ADRIATIC SEA, FINISH OFF THE GUN HIGH GLOSS		
-	-		
-	-		
-	-		
-	-		
PLASTIC LAMINATE:			
PL1	FORMICA 7288-58 GINGER ROOT MAPLE, MATTE		
PL2	FORMICA (TBD)		
-	-		
CORES / SUBSTRATES:			
C12G	11/16" PARTICLEBOARD		
C1G	1/4" MDF		
C1C	1/4" MDF		
C36H	3/4" WHITE MELAMINE 2 Sided		
C39E	1/2" WHITE MELAMINE 1 sided		
C2H	3/4" MDF UV		
C62C	1/4" MADEX		
C62G	11/16" MADEX		
-	-		
SOLID HARDWOOD:			
S1	Solid Poplar		
-	-		
-	-		
-	-		
DOOR SLAB ASSEMBLY:			
DS1	(PL1) On 1-3/4" SC Door (1-11/16" PB Core, 2.3mm HDF Skin, Timberstrand & Solid WD Edge To Match Veneer)		
-	-		
-	-		
-	-		
OTHER MATERIAL (PVC, GLASS, STONE, METAL):			
M1	Z-Clip, 3/8" Lx1/2" W		
M2	Metal Angle Trim		
M3	Metal Angle		
M4	Stainless Steel Shoe Plate		
M5	Alum. Angle		
-	-		
HARDWARE:			
H1	Salice #C2RBA99 (120") S/C Hinge	FINISH:	QTY:
H2	Salice #C2RBA99 (94") S/C Hinge	-	-
H3	Salice #BARGR09 (Omm) Hinge Plate	-	-
H4	Coat Hook - Bobrick B-6777	-	-
-	-	-	-
-	-	-	-
-	-	-	-
-	-	-	-
-	-	-	-
-	-	-	-
-	-	-	-
-	-	-	-
BY OTHERS / EXCLUSIONS:			
E1	Slab, Floor, Wall, Ceiling	E6	Lavatory
E2	Wall Ceramic Tiles	E7	Faucet
E3	3/8" Thk. Safety Mirror Glass	E8	Soap Dispenser
E4	Door Hardware	E9	Paper Towel Dispenser
E5	1-1/4" Thk. Stone (SS-1)	E10	Light Fixture
STAMP:			
DATE:	ISSUED FOR:	BY:	
7.9.19	Approval	PD	
-	-	-	-
-	-	-	-
-	-	-	-
-	-	-	-
-	-	-	-

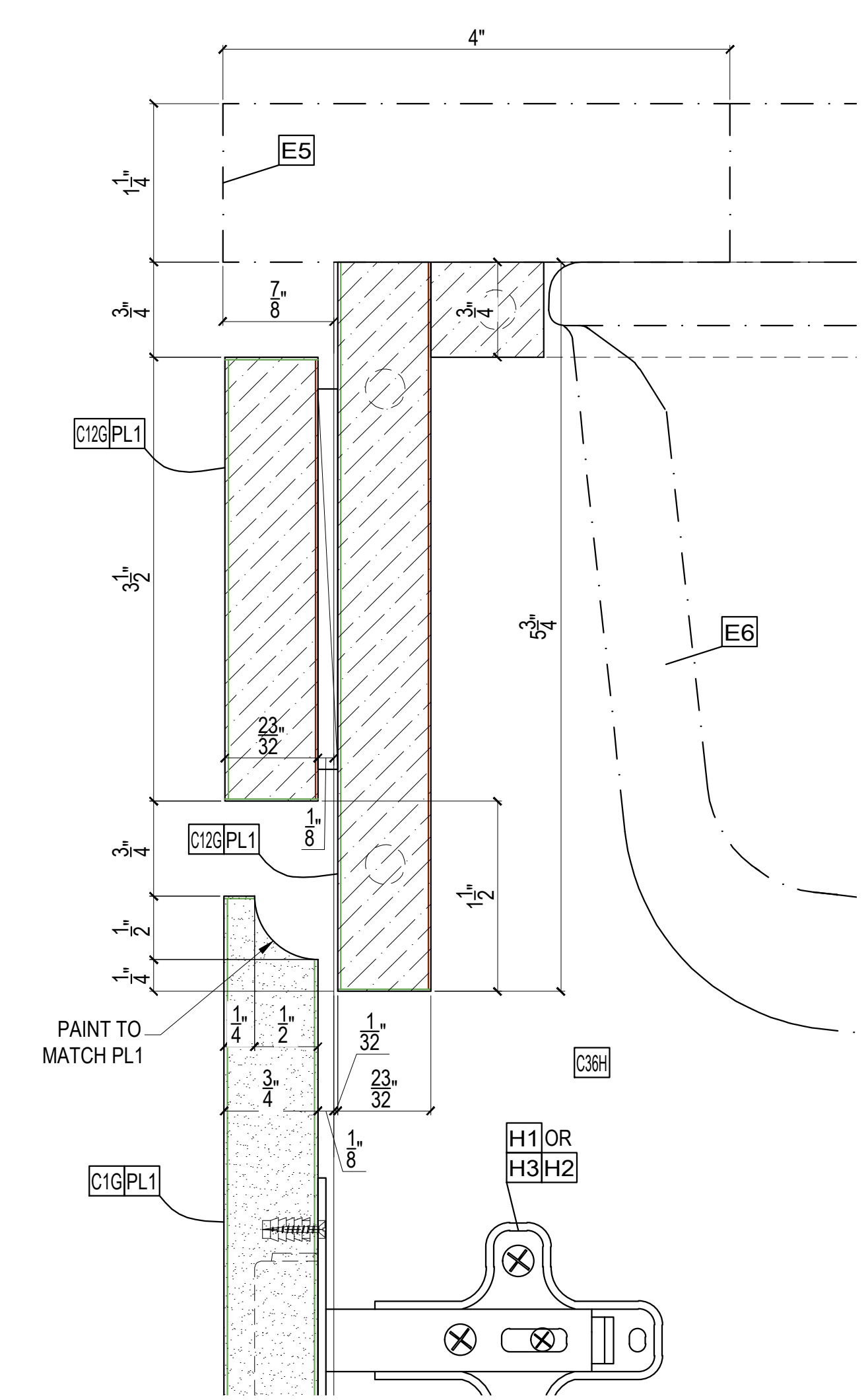


FOR LAW USE ONLY ELEVATOR INFORMATION	
PLAN VIEW 75" x 98-5/8"	
ELEVATION VIEW 120" x 42"	
SIDE VIEW 64" x 1.56"	
JOB NUMBER:	ITEM NUMBER: 1
	DRAWING NO.: 1.7

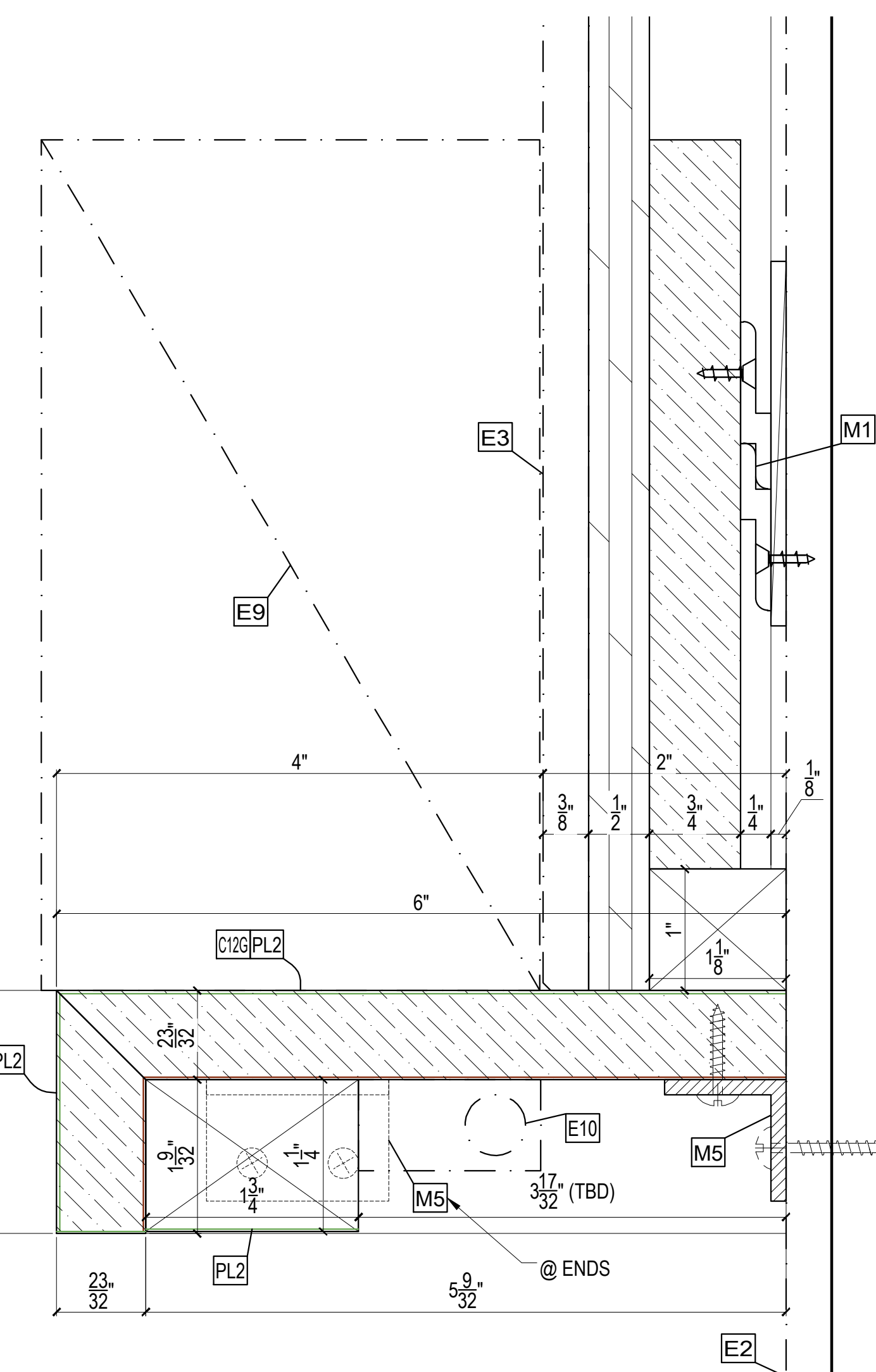
< Wróć



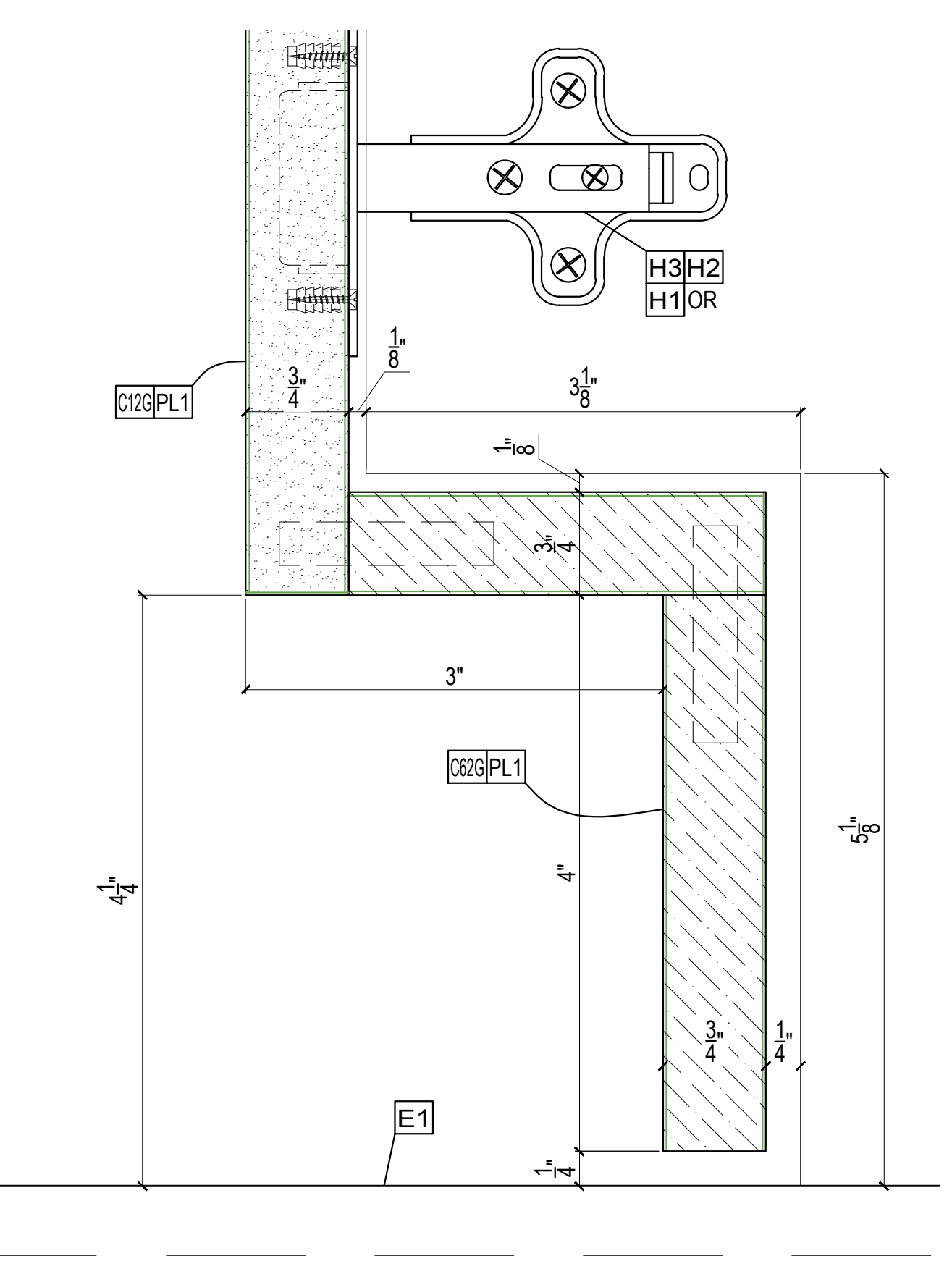
D25
1.8
SCALE: 1'-0"=1'-0" REF: N/A



D27
1.8
SCALE: 1'-0"=1'-0" REF: N/A



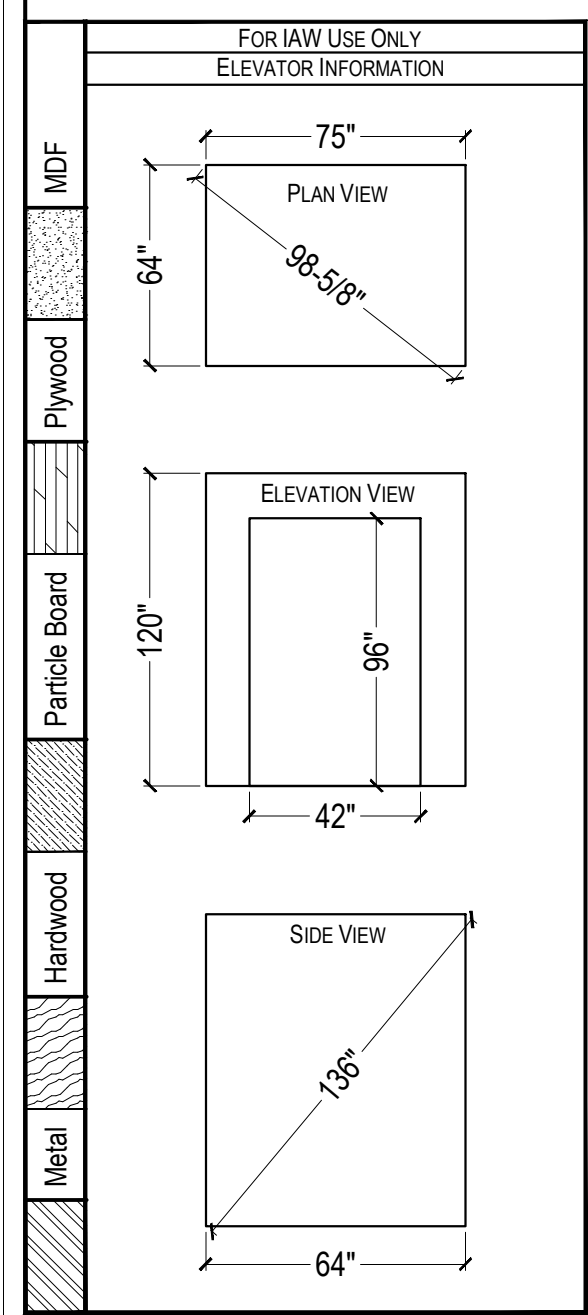
D26
1.8
SCALE: 1'-0"=1'-0" REF: N/A



D28
1.8
SCALE: 1'-0"=1'-0" REF: N/A

11
1.8
VERT. SECT.
SCALE: 1-1/2"=1'-0" REF: 2/A-900.00

12
1.8
VERT. SECT.
SCALE: 1-1/2"=1'-0" REF: 3/A-900.00



MATERIAL DESCRIPTIONS:			
FINISH / WOOD SPECIES:			
L01	SW 6790 - ADRIATIC SEA, FINISH OFF THE GUN HIGH GLOSS		
PL1	FORMICA 7288-58 GINGER ROOT MAPLE, MATTE		
PL2	FORMICA (TBD)		
CORES / SUBSTRATES:			
C12G	11/16" PARTICLEBOARD		
C1G	11/16" MDF		
C1C	1/4" MDF		
C36H	3/4" WHITE MELAMINE 2 Sided		
C39E	1/2" WHITE MELAMINE 1 sided		
C2H	3/4" MDF UV		
C62C	1/4" MADEX		
C62G	11/16" MADEX		
SOLID HARDWOOD:			
S1	Solid Poplar		
DOOR SLAB ASSEMBLY:			
DS1	(PL1) On 1-3/4" SC Door (1-11/16" PB Core, 2.3mm HDF Skin, Timberstrand & Solid WD Edge To Match Veneer)		
OTHER MATERIAL (PVC, GLASS, STONE, METAL):			
M1	Z-Clip, 3/8" Lift Off		
M2	Metal Angle Trim		
M3	Metal Angle		
M4	Stainless Steel Shoe Plate		
M5	Alum. Angle		
HARDWARE:			
H1	Salice #C2R8A99 (120") S/C Hinge	FINISH:	QTY:
H2	Salice #C2R8A99 (94") S/C Hinge	-	-
H3	Salice #BARGR09 (Omm) Hinge Plate	-	-
H4	Coat Hook - Bobrick B-6777	-	-
BY OTHERS / EXCLUSIONS:			
E1	Slab, Floor, Wall, Ceiling	E6	Lavatory
E2	Wall Ceramic Tiles	E7	Faucet
E3	3/8" Thk. Safety Mirror Glass	E8	Soap Dispenser
E4	Door Hardware	E9	Paper Towel Dispenser
E5	1-1/4" Thk. Stone (SS-1)	E10	Light Fixture
STAMP:			
DATE:	ISSUED FOR:	BY:	
7.9.19	Approval	PD	
-	-	-	-
-	-	-	-
-	-	-	-
-	-	-	-
JOB NUMBER:		ITEM NUMBER:	
		1	
		DRAWING NO.	
		1.8	