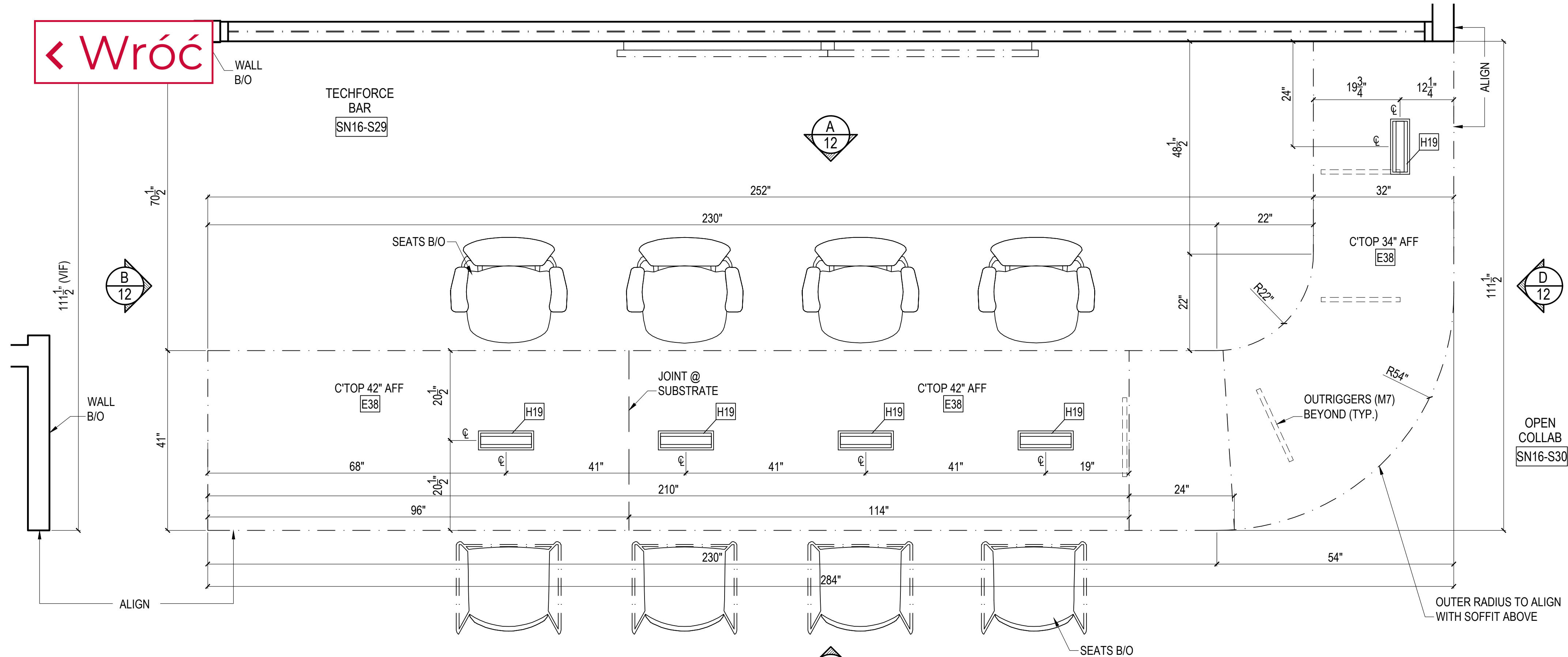
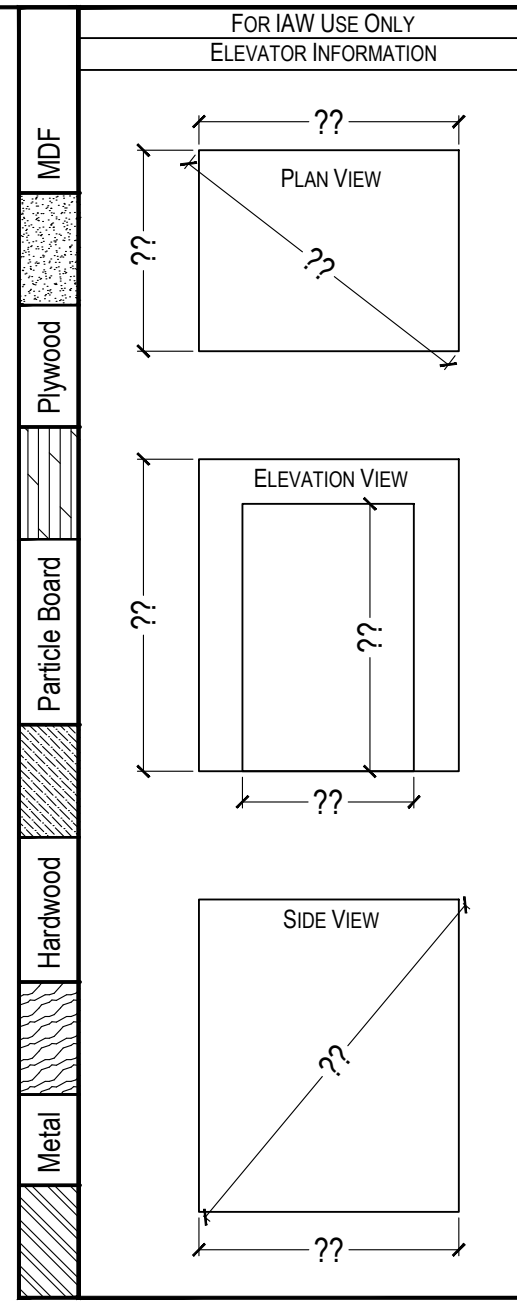


< Wróć



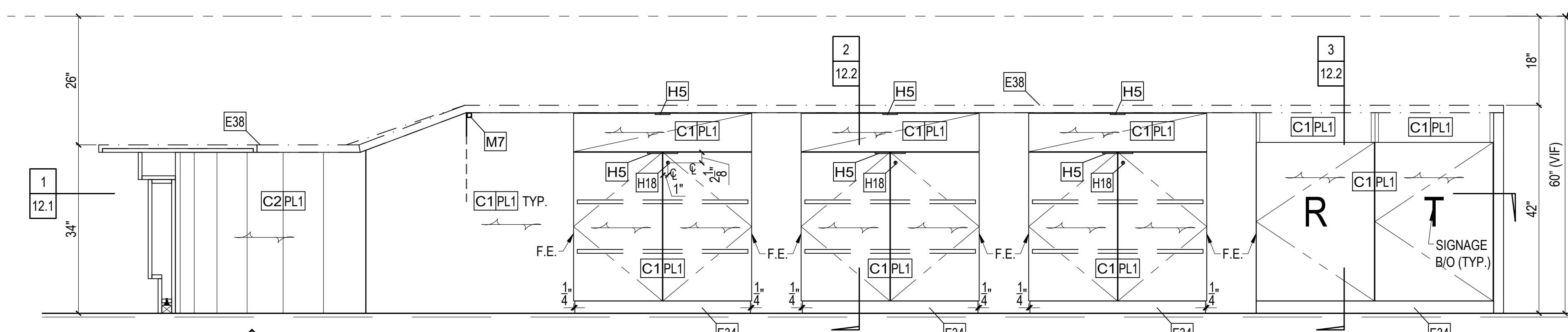
12
12 PLAN @ TECHFORCE BAR #SN16-S29
SCALE: 3/4"=1'-0" REF: 3/A-704.00



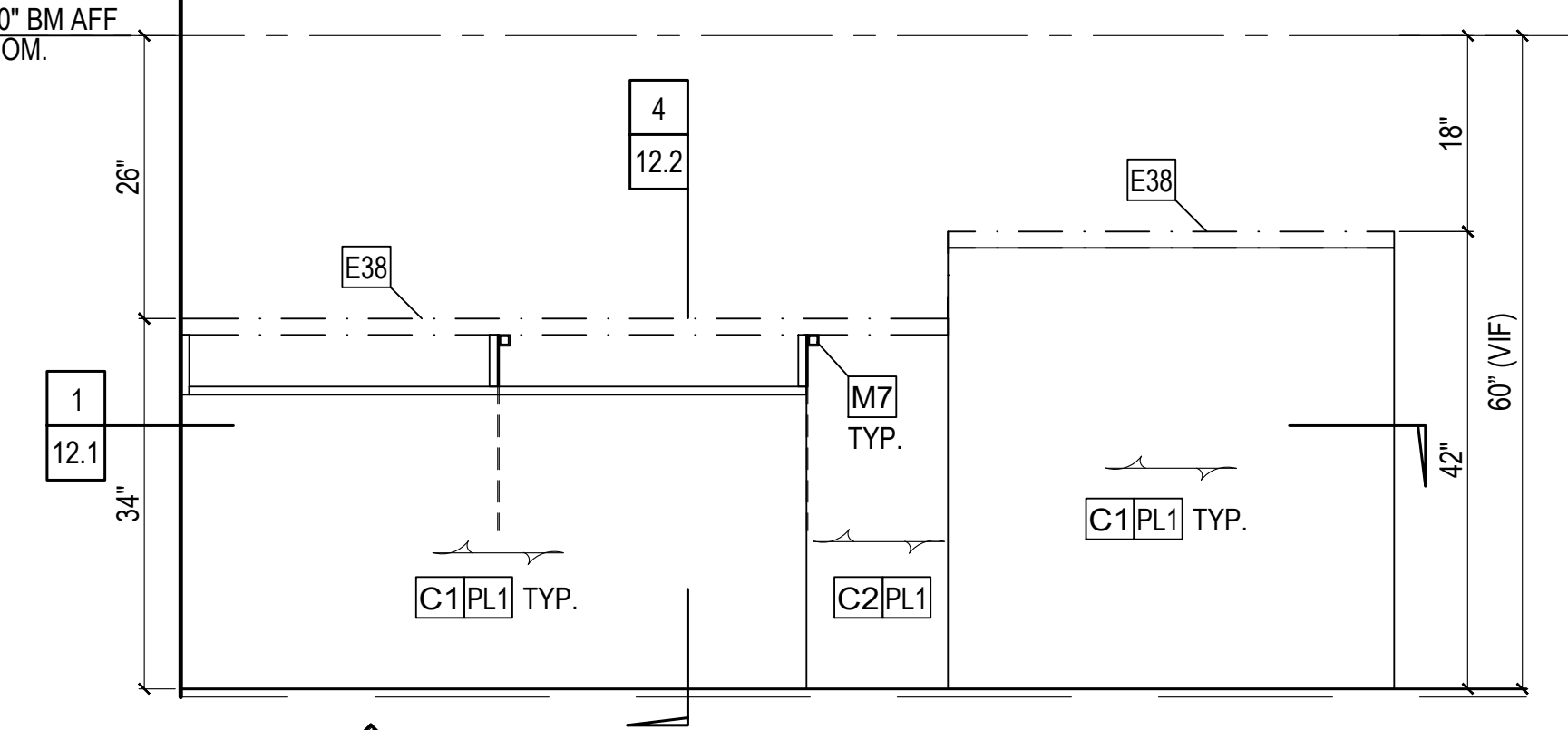
<input checked="" type="checkbox"/>	LEED	<input checked="" type="checkbox"/>	FSC	<input checked="" type="checkbox"/>	NAUF	<input type="checkbox"/>	FIRE RATED
MATERIAL DESCRIPTIONS:							
FINISH / WOOD SPECIES:							
WD1	-	-	-	-	-	-	-
-	-	-	-	-	-	-	-
-	-	-	-	-	-	-	-
-	-	-	-	-	-	-	-
PLASTIC LAMINATE:							
PL1	Formica #8849-68, "Natural Teak" Matte	-	-	-	-	-	-
-	-	-	-	-	-	-	-
CORES / SUBSTRATES:							
C1	11_16PB NAUF/FSC	-	-	-	-	-	-
C2	1_4MDF NAUF/FSC	-	-	-	-	-	-
C3	1_2Black Melamine NAUF/FSC	-	-	-	-	-	-
C4	3_4Black Melamine NAUF/FSC	-	-	-	-	-	-
C5	3_4Plywood NAUF/FSC	-	-	-	-	-	-
C6	1_2Plywood PF Maple NAUF/FSC	-	-	-	-	-	-
C9	1_2PB NAUF/FSC	-	-	-	-	-	-
SOLID HARDWOOD:							
S1	-	-	-	-	-	-	-
-	-	-	-	-	-	-	-
-	-	-	-	-	-	-	-
DOOR SLAB ASSEMBLY:							
DS1	-	-	-	-	-	-	-
-	-	-	-	-	-	-	-
-	-	-	-	-	-	-	-
OTHER MATERIAL (PVC, GLASS, STONE, METAL):							
M1	Metal Angle	-	-	-	-	-	-
M2	PVC To Match PL1 (EdgeCo #7700)	-	-	-	-	-	-
M7	Outrigger 18"	-	-	-	-	-	-
-	-	-	-	-	-	-	-
HARDWARE:							
H1	Salice #C2R9A99 (120") S/C Hinge	-	-	-	-	20	-
H3	Salice #BARGR09 (Omm) Hinge Plate	-	-	-	-	20	-
H4	5mm Dia. Shelf Pins, US 26	-	-	-	-	24	-
H5	Pulls, Doug Mockett DP3A	-	-	-	-	9	-
H10A	Drawer Slide, Accuride #3832, 12"	-	-	-	-	3 Pairs	-
H15	Tight Chute	-	-	-	-	4	-
H16	Trash Bin	-	-	-	-	4	-
H17	Adjustable Leveler	-	-	-	-	4	-
H18	Timberline Double Door Lock CB-250	-	-	-	-	3	-
H19	Doug Mockett Metal Grommet MAX7-94	-	-	-	-	5	-
-	-	-	-	-	-	-	-
-	-	-	-	-	-	-	-
BY OTHERS / EXCLUSIONS:							
E1	Slab, Floor, Wall, Ceiling	E40	Granger Hook 4CRV2	-	-	-	-
E34	Rubber Base	-	-	-	-	-	-
E35	Metal Base (MTL-01)	-	-	-	-	-	-
E36	Foot Rest MTL-01 Finish	-	-	-	-	-	-
E38	Stone Ctop	-	-	-	-	-	-
STAMP:							
DATE:	ISSUED FOR:	BY:					
6.12.19	Approval	PD					
-	-	-					
-	-	-					
-	-	-					

ARCHITECT PLEASE SPECIFY MODEL & MANUFACTURER OF TRASH BIN

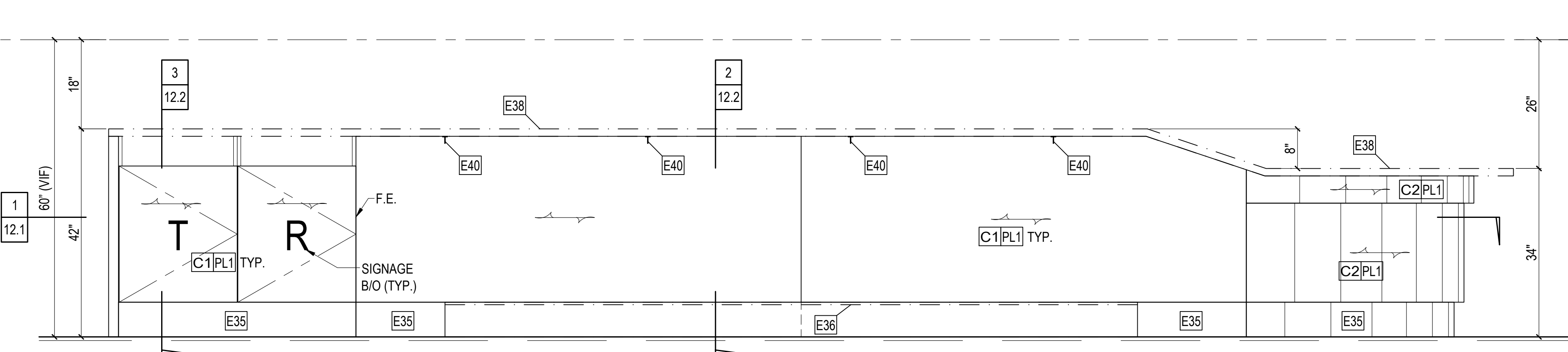
ARCHITECT PLEASE VERIFY MODEL & MANUFACTURER OF CABINET LOCK



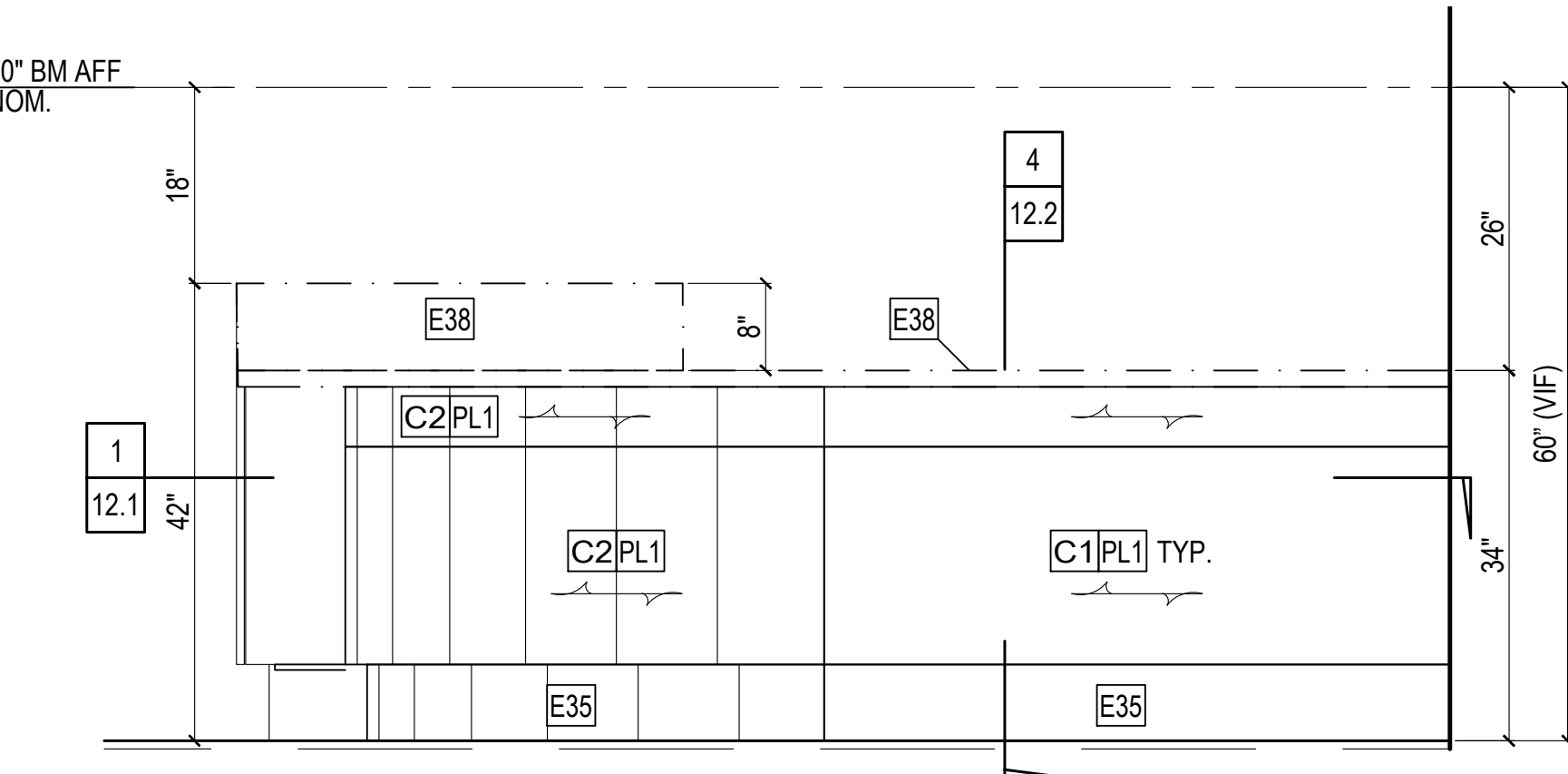
A
12 ELEVATION @ TECHFORCE BAR #SN16-S29
SCALE: 3/4"=1'-0" REF: 1/A-704.00



B
12 ELEVATION @ TECHFORCE BAR #SN16-S29
SCALE: 3/4"=1'-0" REF: NONE



C
12 ELEVATION @ TECHFORCE BAR #SN16-S29
SCALE: 3/4"=1'-0" REF: 2/A-704.00



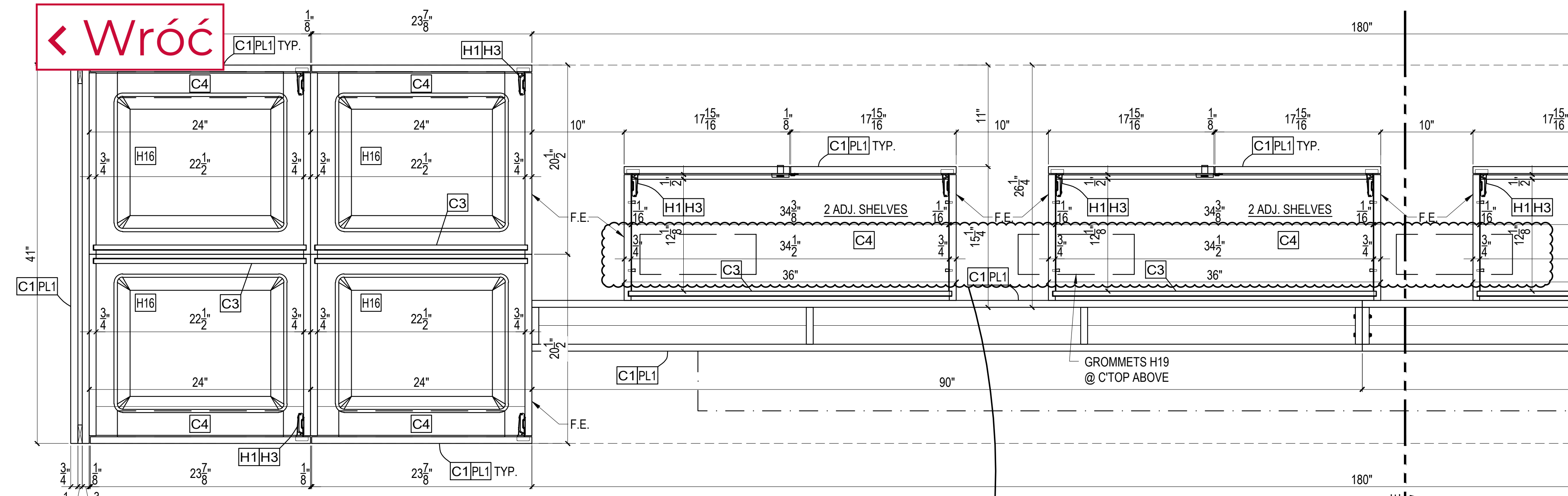
D
12 ELEVATION @ TECHFORCE BAR #SN16-S29
SCALE: 3/4"=1'-0" REF: NONE

E1	Slab, Floor, Wall, Ceiling	E40	Granger Hook 4CRV2
E34	Rubber Base	-	-
E35	Metal Base (MTL-01)	-	-
E36	Foot Rest MTL-01 Finish	-	-
E38	Stone Ctop	-	-

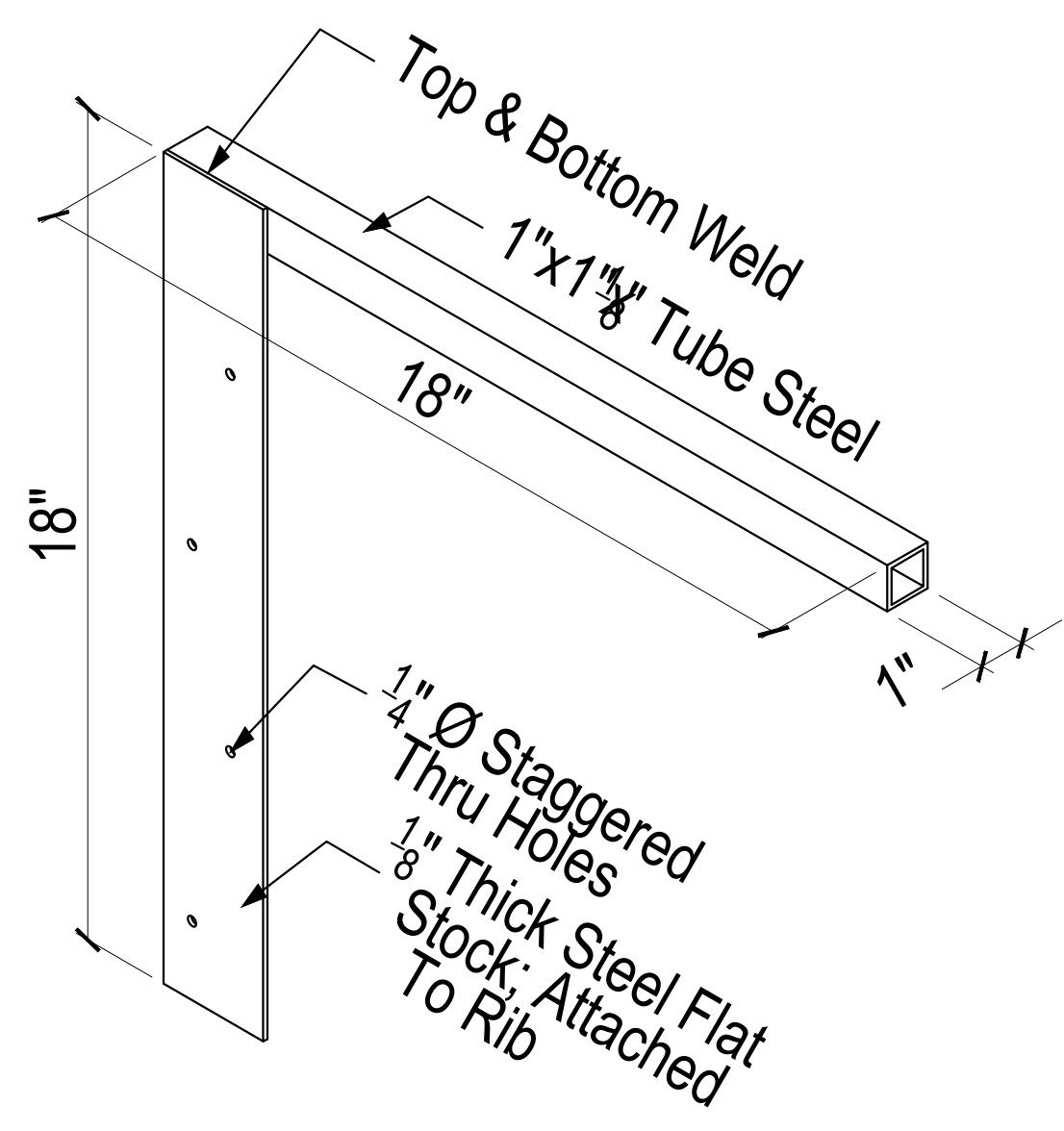
STAMP:		
DATE:	ISSUED FOR:	BY:
6.12.19	Approval	PD
-	-	-
-	-	-
-	-	-

ITEM NUMBER:	12
JOB NUMBER:	DRAWING NO. 12

< Wróć



1 HORZ. SECT.
12.1 SCALE: 1-1/2"=1'-0" REF: N/A

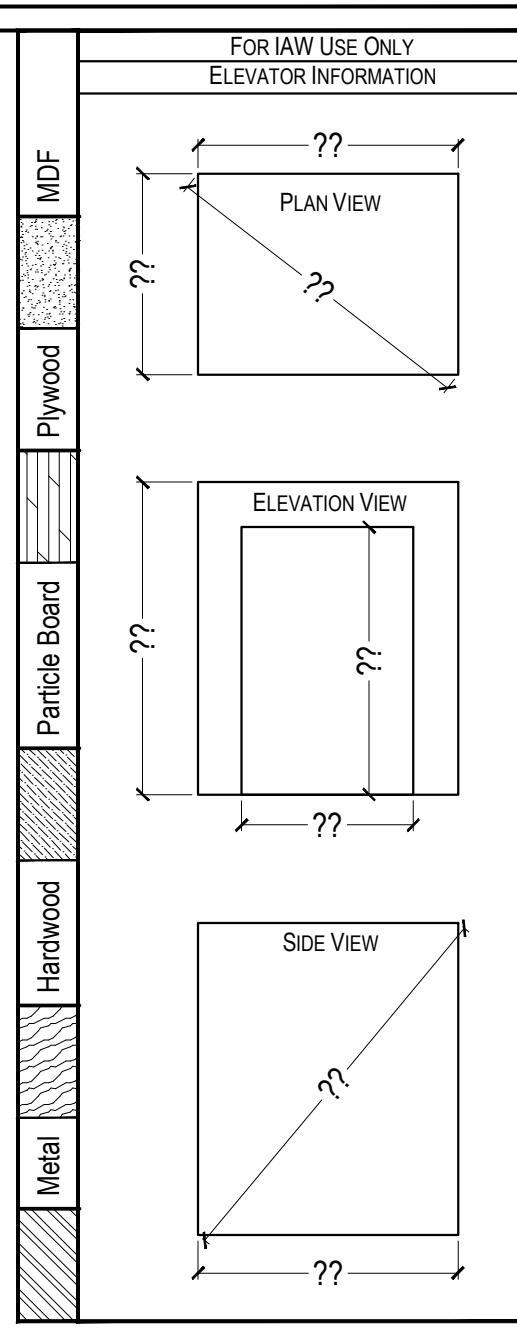
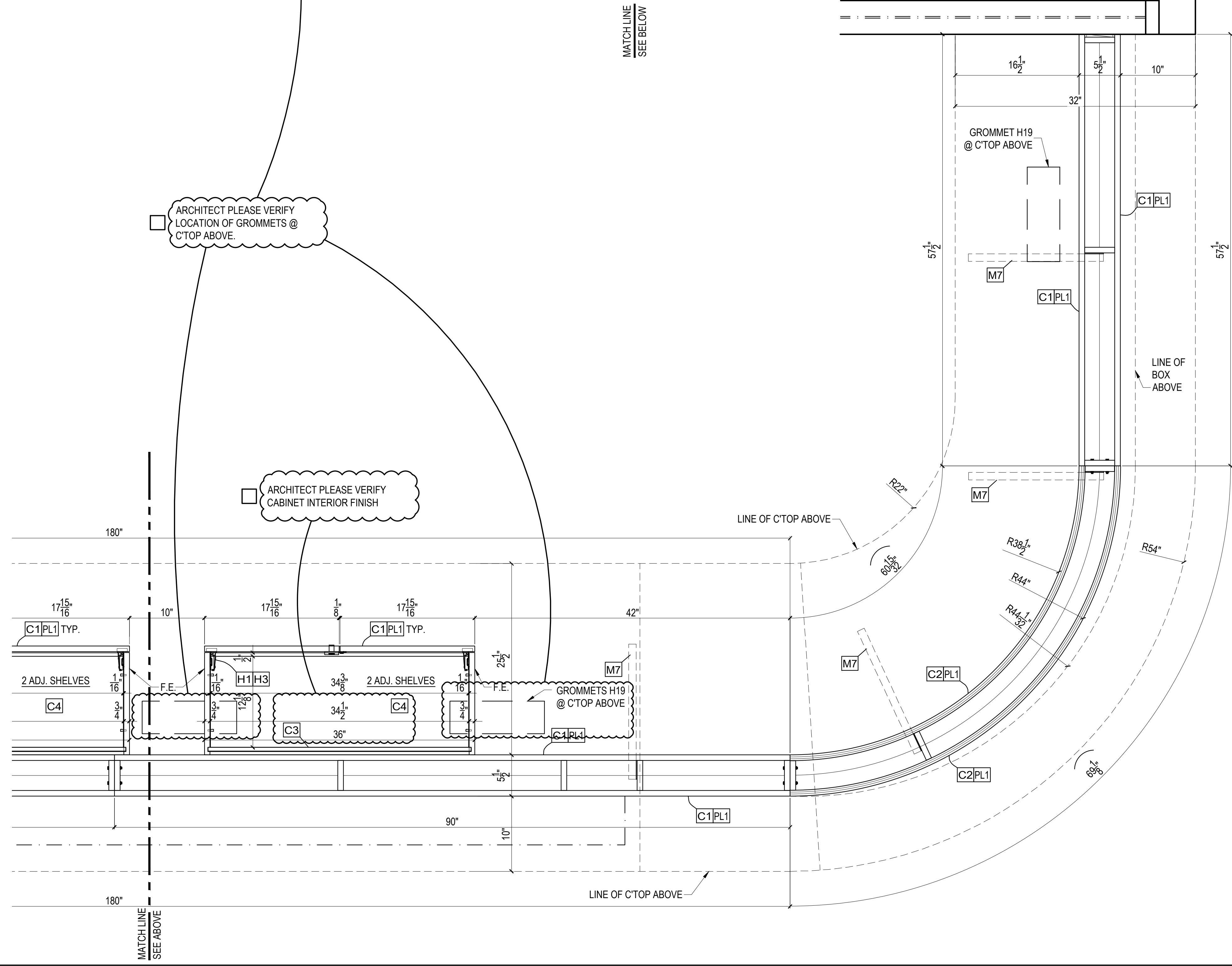


S1 ISOMETRIC @ M7 Outrigger
12.1 SCALE: NTS REF: N/A

QTY Required As Shown: 4

ARCHITECT PLEASE VERIFY LOCATION OF GROMMETS @ C'TOP ABOVE.

ARCHITECT PLEASE VERIFY CABINET INTERIOR FINISH



FOR LAW USE ONLY
ELEVATOR INFORMATION

LEED FSC NAUF FIRE RATED

MATERIAL DESCRIPTIONS:

FINISH / WOOD SPECIES:

WD1	-
-	-
-	-
-	-
-	-
-	-

PLASTIC LAMINATE:

PL1	Formica #8849-58, "Natural Teak" Matte
-	-
-	-
-	-
-	-
-	-

CORES / SUBSTRATES:

C1	11_16PB NAUF/FSC
C2	1_4MDF NAUF/FSC
C3	1_2Black Melamine NAUF/FSC
C4	3_4Black Melamine NAUF/FSC
C5	3_4Plywood NAUF/FSC
C6	1_2Plywood PF Maple NAUF/FSC
C9	1_2PB NAUF/FSC
-	-
-	-
-	-
-	-

SOLID HARDWOOD:

S1	-
-	-
-	-
-	-
-	-
-	-

DOOR SLAB ASSEMBLY:

DS1	-
-	-
-	-
-	-
-	-
-	-

OTHER MATERIAL (PVC, GLASS, STONE, METAL):

M1	Metal Angle
M2	PVC To Match PL1 (EdgeCo #7700)
M7	Outrigger 18"
-	-
-	-
-	-

HARDWARE:

	FINISH:	QTY:
H1	Salice #C2R9A99 (120°) S/C Hinge	- 20
H3	Salice #BARGR09 (Omm) Hinge Plate	- 20
H4	5mm Dia. Shelf Pins, US 26	- 24
H5	Pulls, Doug Mockett DP3A	- 9
H10A	Drawer Slide, Accuride #3832, 12"	- 3 Pairs
H15	Trash Chute	- 4
H16	Trash Bin	- 4
H17	Adjustable Leveler	- As Req'd
H18	Timberline Double Door Lock CB-250	- 3
H19	Doug Mockett Metal Grommet MAX7-94	- 5
-	-	-
-	-	-

BY OTHERS / EXCLUSIONS:

E1	Slab, Floor, Wall, Ceiling	E40	Granger Hook 4CRV2
E34	Rubber Base	-	-
E35	Metal Base (MTL-01)	-	-
E36	Foot Rest MTL-01 Finish	-	-
E38	Stone C'top	-	-

STAMP:

DATE:	ISSUED FOR:	BY:
6.12.19	Approval	PD
-	-	-
-	-	-
-	-	-

ITEM NUMBER:	12
JOB NUMBER:	12.1

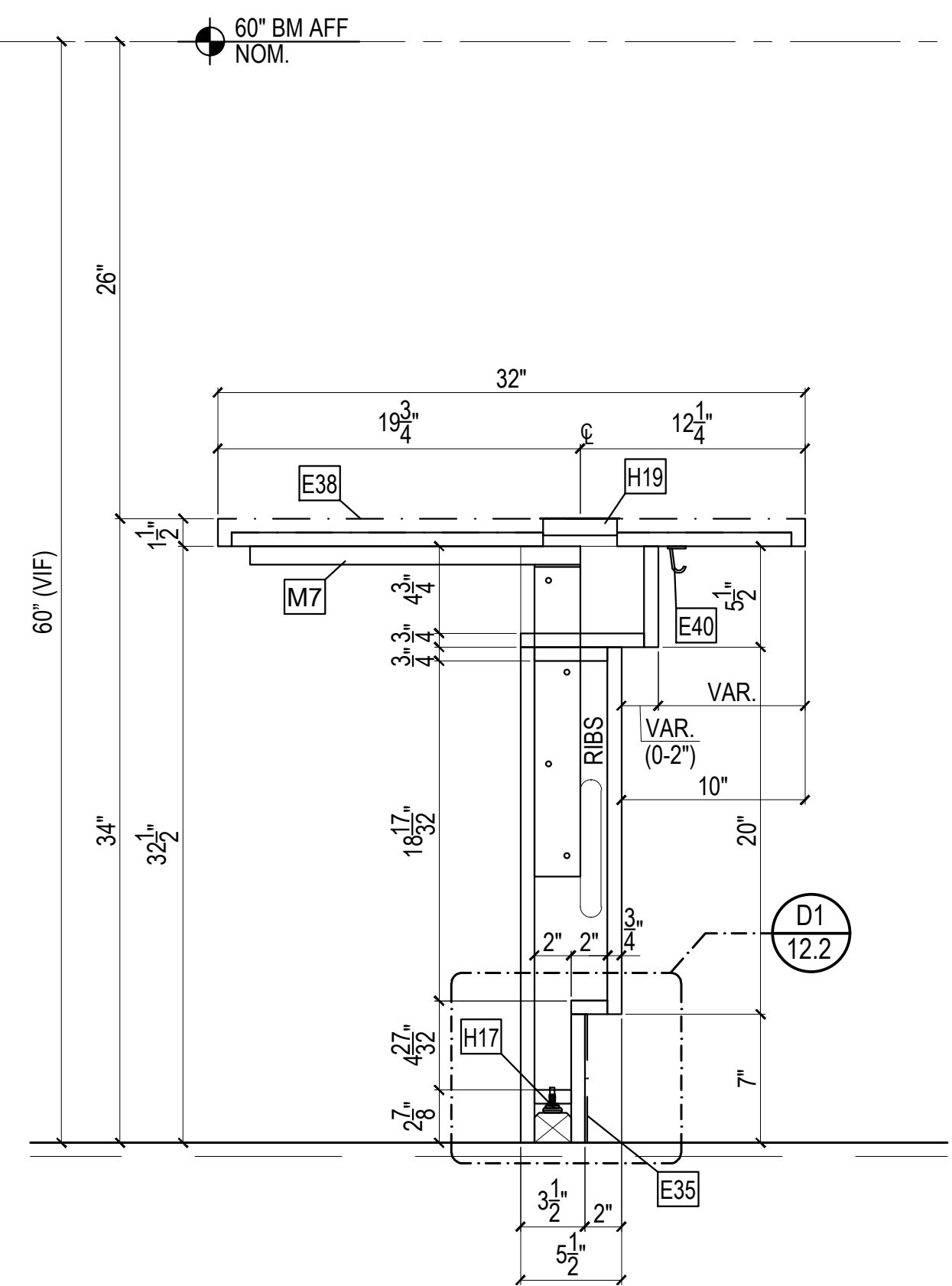
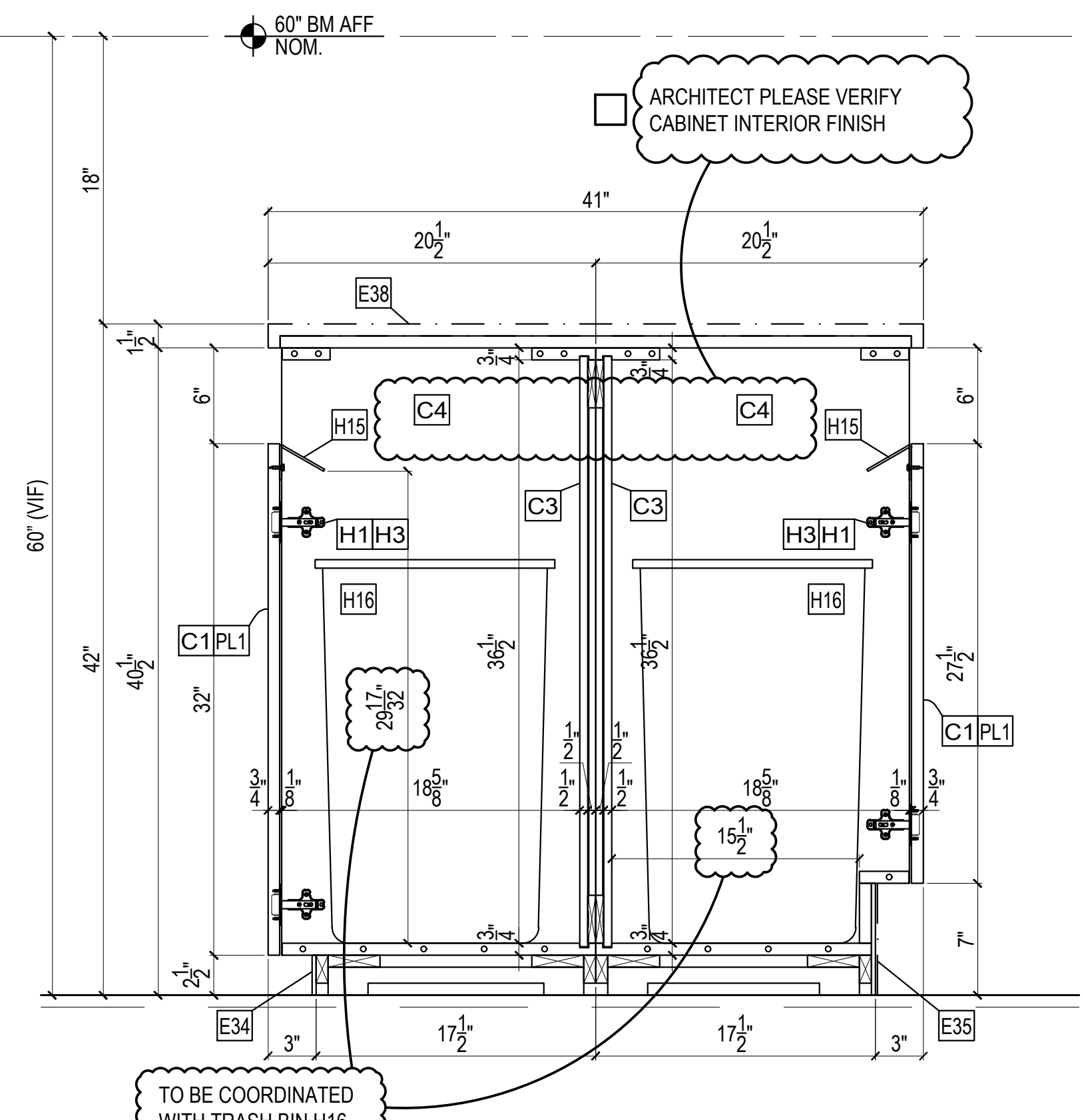
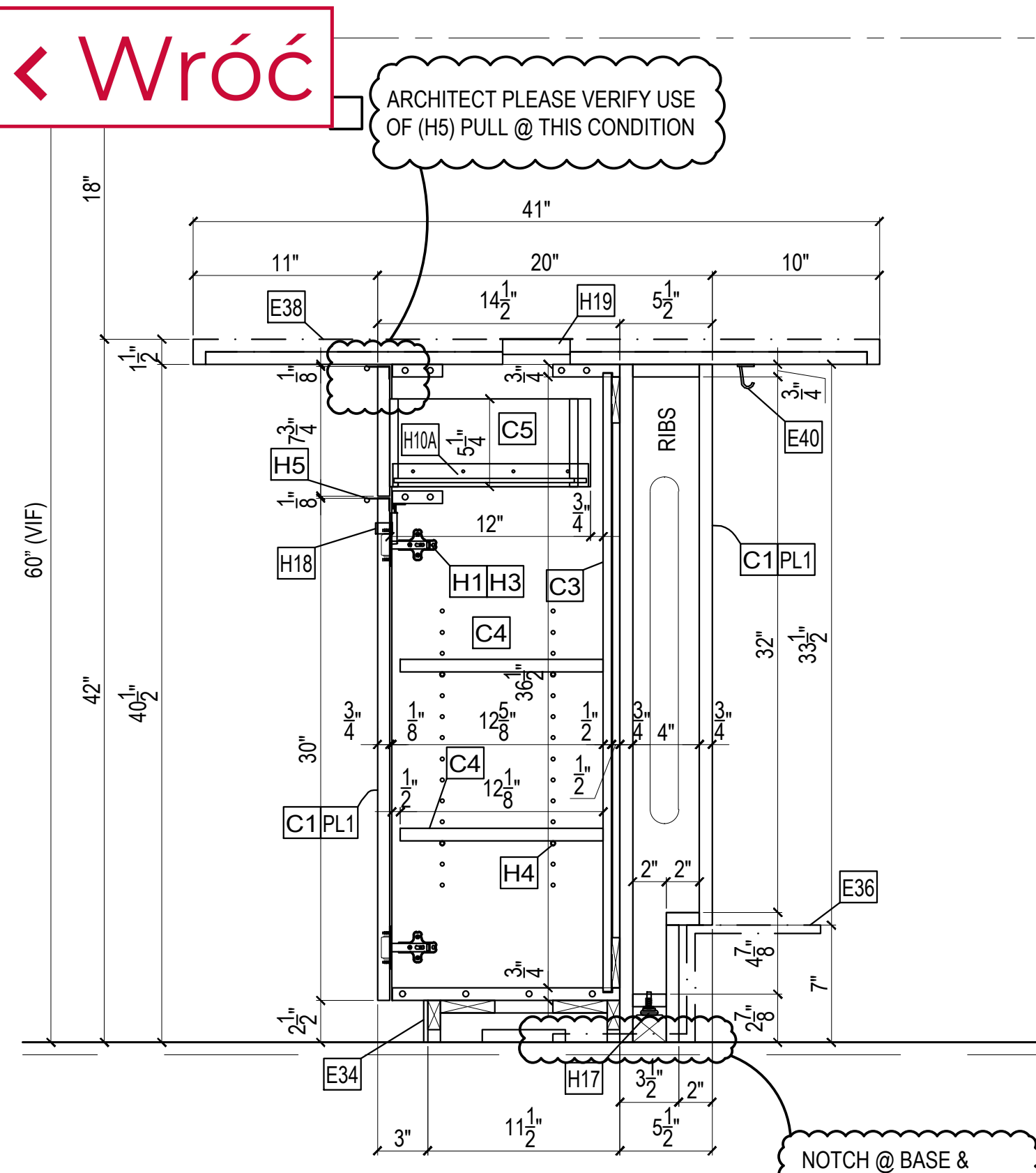
< Wróć

ARCHITECT PLEASE VERIFY USE OF (H5) PULL @ THIS CONDITION

ARCHITECT PLEASE VERIFY CABINET INTERIOR FINISH

NOTCH @ BASE & BLOCKING FOR FOOT REST AS REQ'D

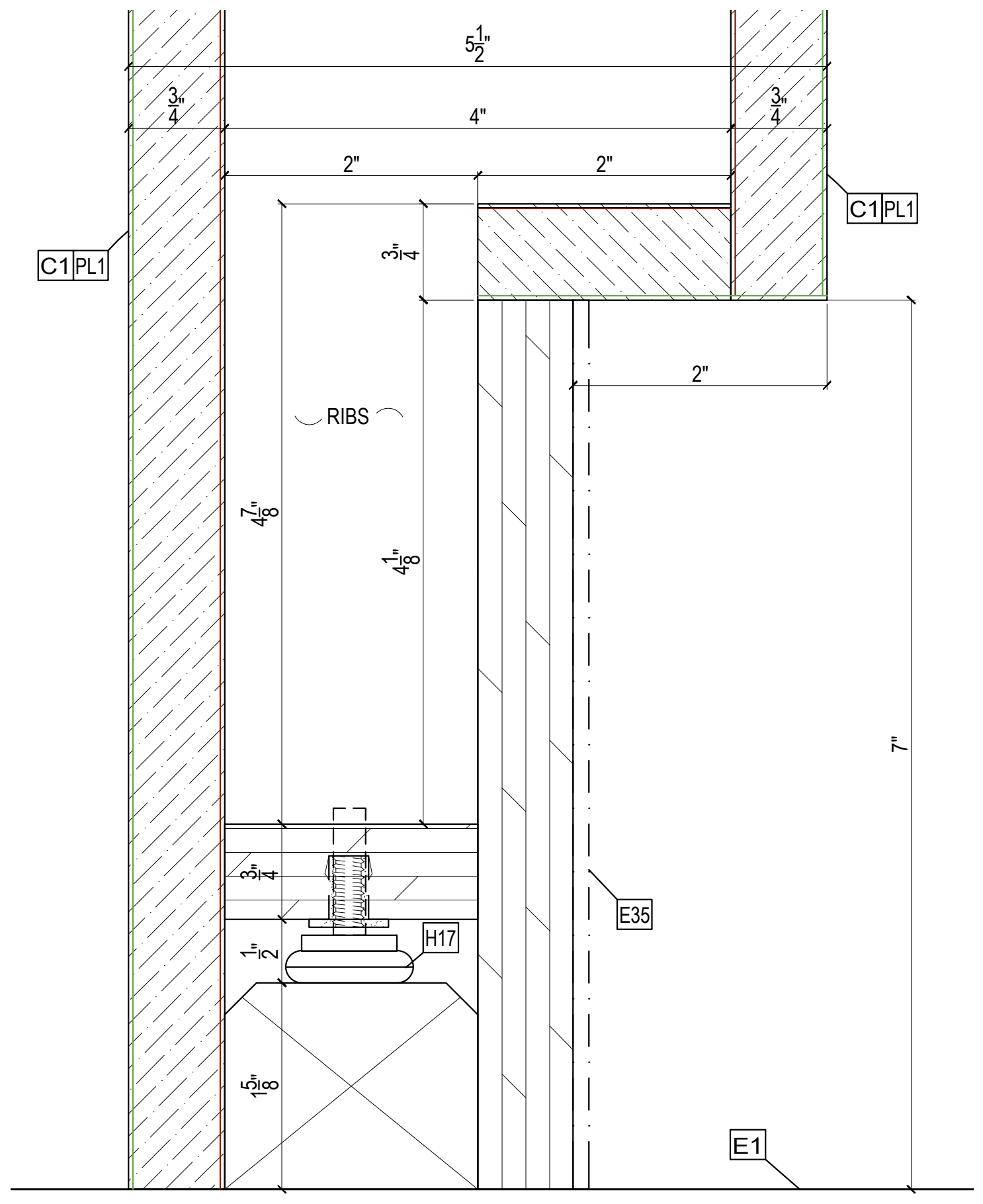
TO BE COORDINATED WITH TRASH BIN H16.



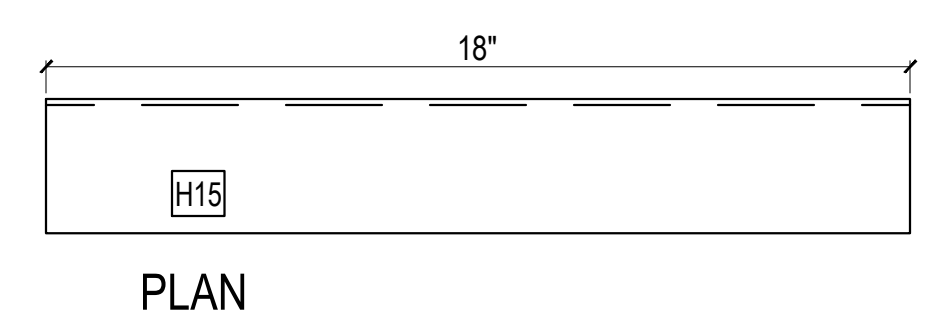
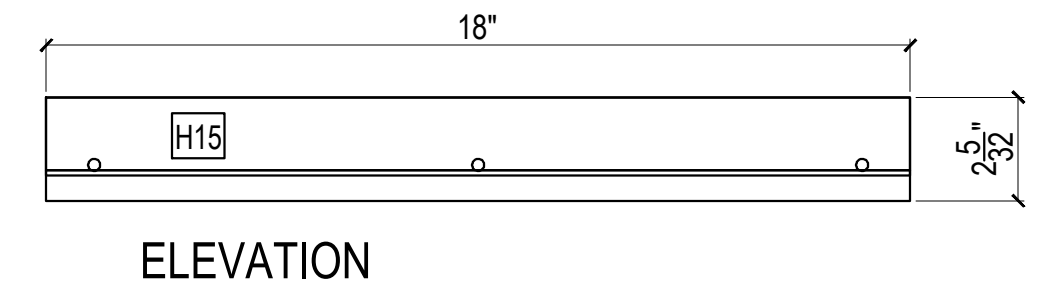
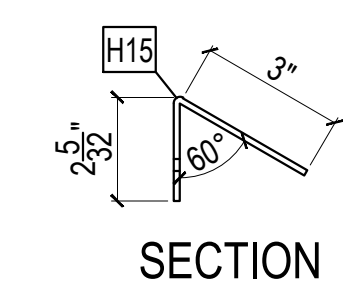
2 VERT. SECT.
SCALE: 1-1/2"=1'-0" REF: 5/A-803.00

3 VERT. SECT.
SCALE: 1-1/2"=1'-0" REF: 6/A-803.00

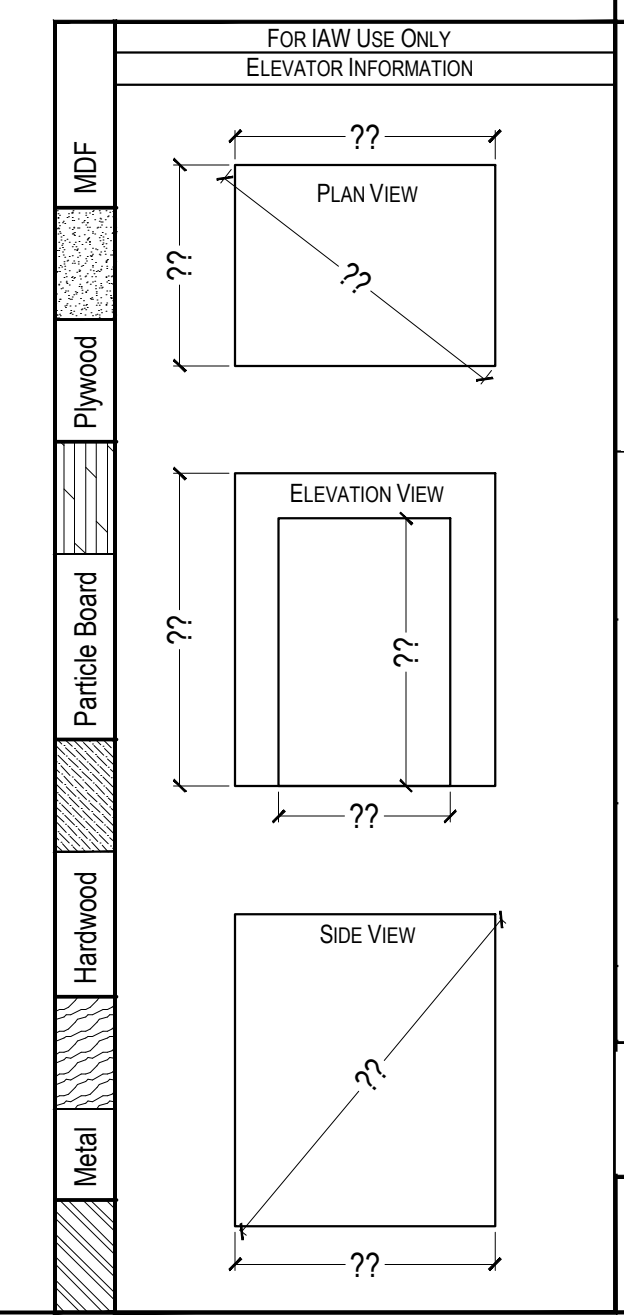
4 VERT. SECT.
SCALE: 1-1/2"=1'-0" REF: 4/A-803.00



D1 12.2 DETAIL
SCALE: 1'-0"=1'-0" REF: NONE



D2 12.2 DETAIL OF TRASH CHUTE H15
SCALE: 1'-0"=1'-0" REF: NONE



<input checked="" type="checkbox"/> LEED	<input checked="" type="checkbox"/> FSC	<input checked="" type="checkbox"/> NAUF	<input type="checkbox"/> FIRE RATED
MATERIAL DESCRIPTIONS:			
FINISH / WOOD SPECIES:			
WD1	-	-	-
-	-	-	-
-	-	-	-
-	-	-	-
PLASTIC LAMINATE:			
PL1	Formica #8849-58, "Natural Teak" Matte	-	-
-	-	-	-
CORES / SUBSTRATES:			
C1	11_16PB NAUF/FSC	-	-
C2	1_4MDF NAUF/FSC	-	-
C3	1_2Black Melamine NAUF/FSC	-	-
C4	3_4Black Melamine NAUF/FSC	-	-
C5	3_4Plywood NAUF/FSC	-	-
C6	1_2Plywood PF Maple NAUF/FSC	-	-
C9	1_2PB NAUF/FSC	-	-
-	-	-	-
SOLID HARDWOOD:			
S1	-	-	-
-	-	-	-
-	-	-	-
-	-	-	-
DOOR SLAB ASSEMBLY:			
DS1	-	-	-
-	-	-	-
-	-	-	-
-	-	-	-
OTHER MATERIAL (PVC, GLASS, STONE, METAL):			
M1	Metal Angle	-	-
M2	PVC To Match PL1 (EdgeCo #7700)	-	-
M7	Outrigger 18"	-	-
-	-	-	-
-	-	-	-
HARDWARE:			
		FINISH:	QTY:
H1	Salice #C2R9A99 (120") S/C Hinge	-	20
H3	Salice #BARGR09 (Omm) Hinge Plate	-	20
H4	5mm Dia. Shelf Pins, US 26	-	24
H5	Pulls, Doug Mockett DP3A	-	9
H10A	Drawer Slide, Accuride #3832, 12"	-	3 Pairs
H15	Trash Chute	-	4
H16	Trash Bin	-	4
H17	Adjustable Leveler	-	As Req'd
H18	Timberline Double Door Lock CB-250	-	3
H19	Doug Mockett Metal Grommet MAX7-94	-	5
-	-	-	-
-	-	-	-
BY OTHERS / EXCLUSIONS:			
E1	Slab, Floor, Wall, Ceiling	E40	Granger Hook 4CRV2
E34	Rubber Base	-	-
E35	Metal Base (MTL-01)	-	-
E36	Foot Rest MTL-01 Finish	-	-
E38	Stone Ctop	-	-
STAMP:			
DATE:	ISSUED FOR:	BY:	
6.12.19	Approval	PD	
-	-	-	
-	-	-	
-	-	-	

FOR LAW USE ONLY ELEVATOR INFORMATION	
PLAN VIEW	??
ELEVATION VIEW	??
SIDE VIEW	??
ITEM NUMBER:	12
JOB NUMBER:	12.2