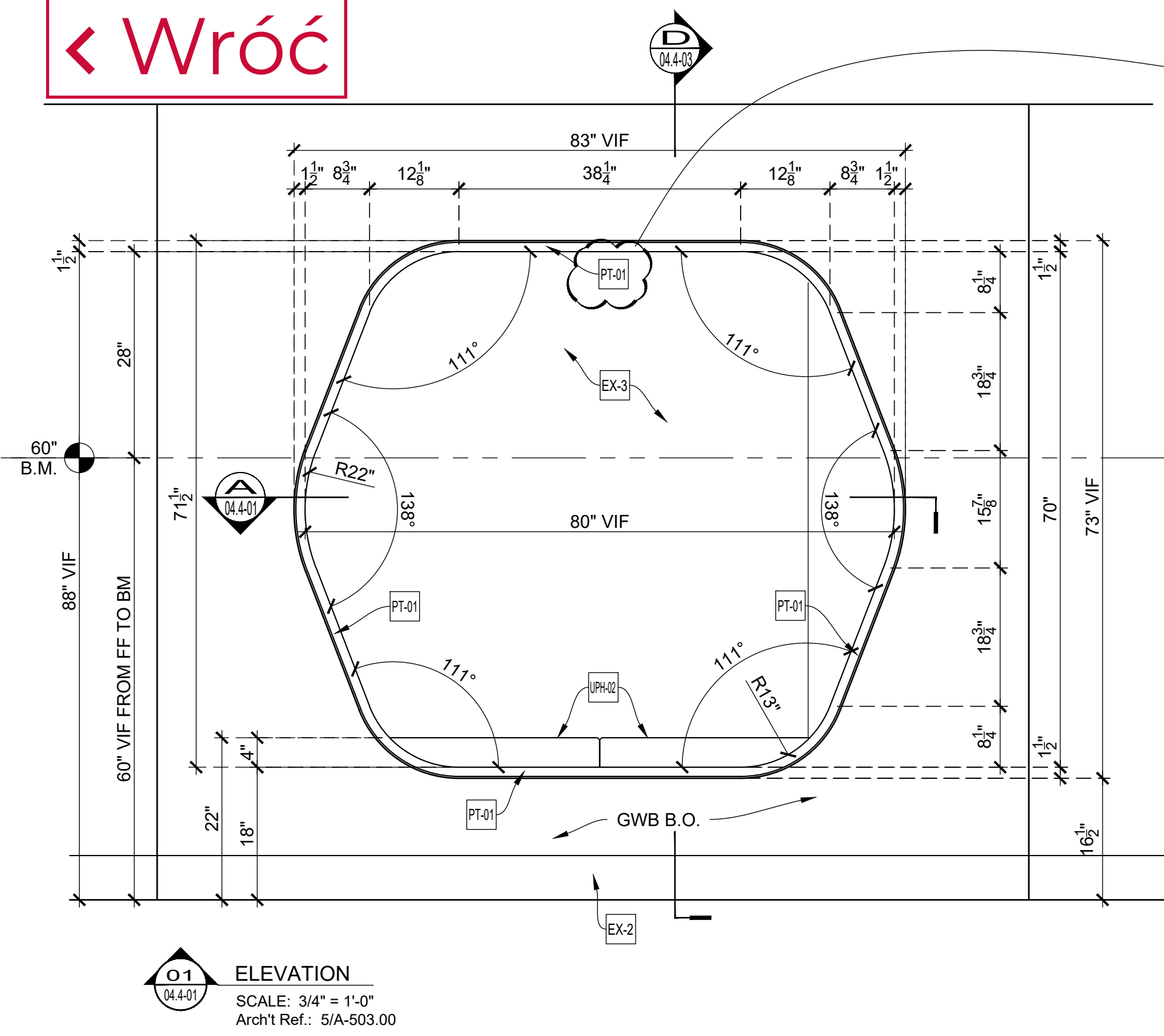
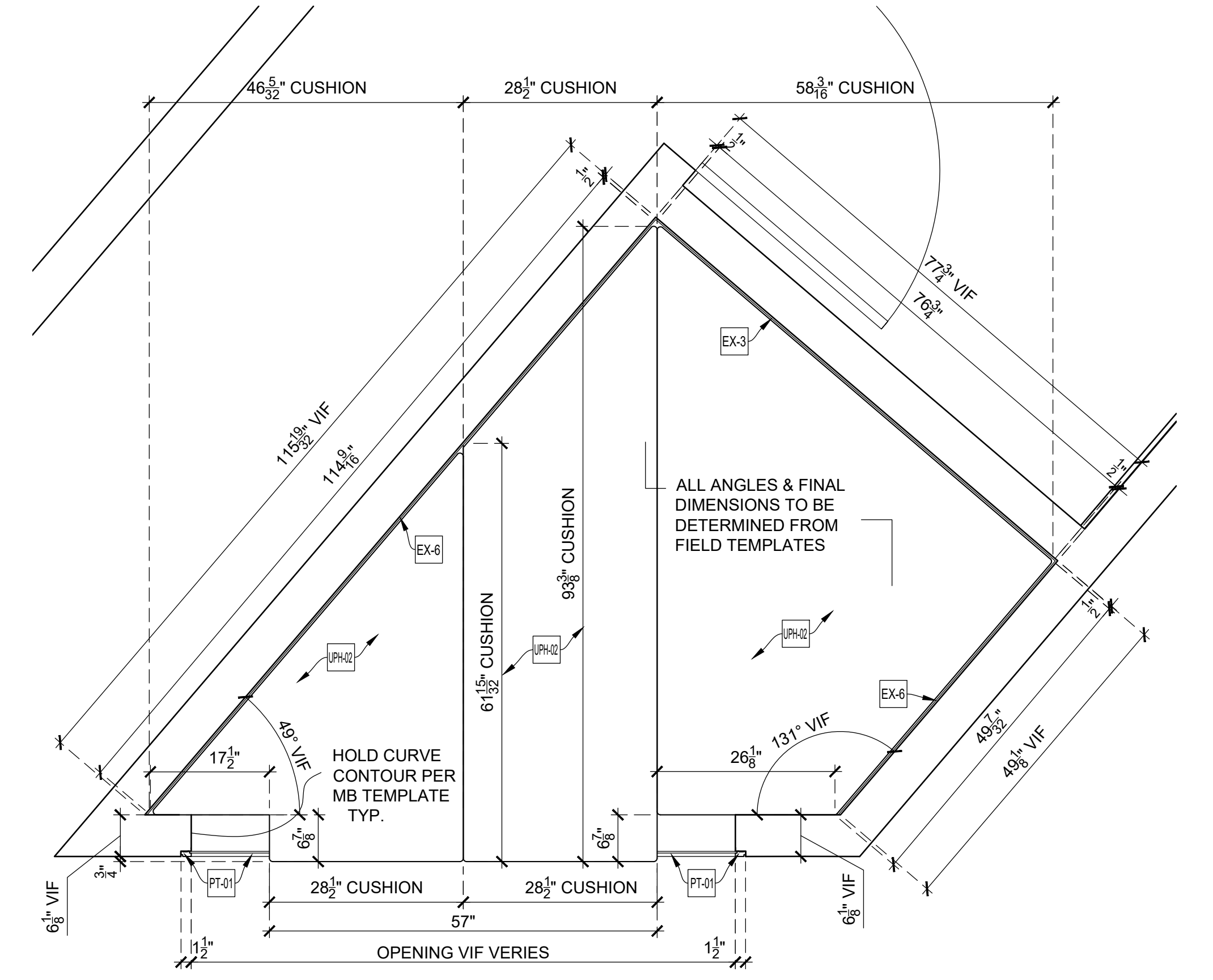
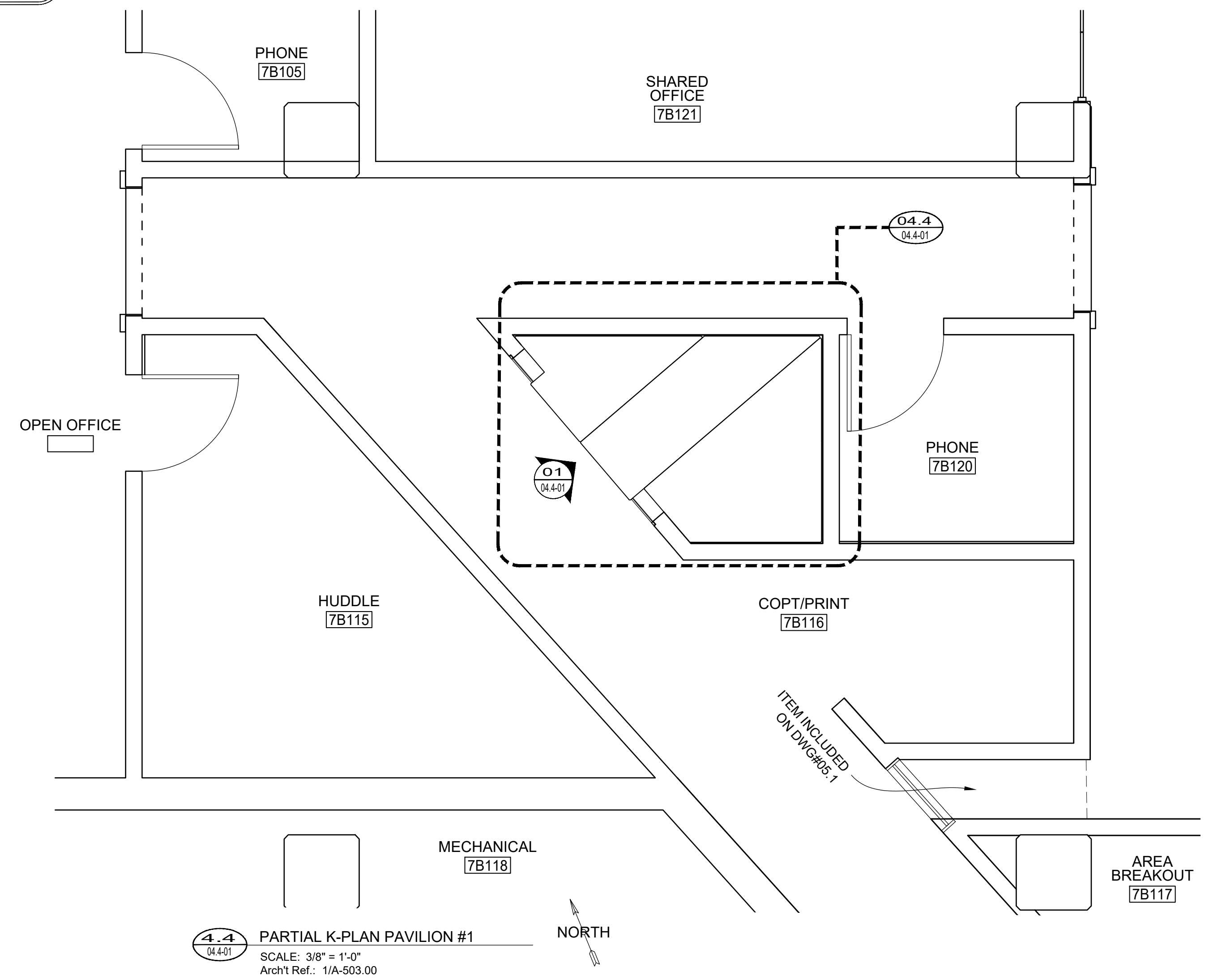


< Wróć

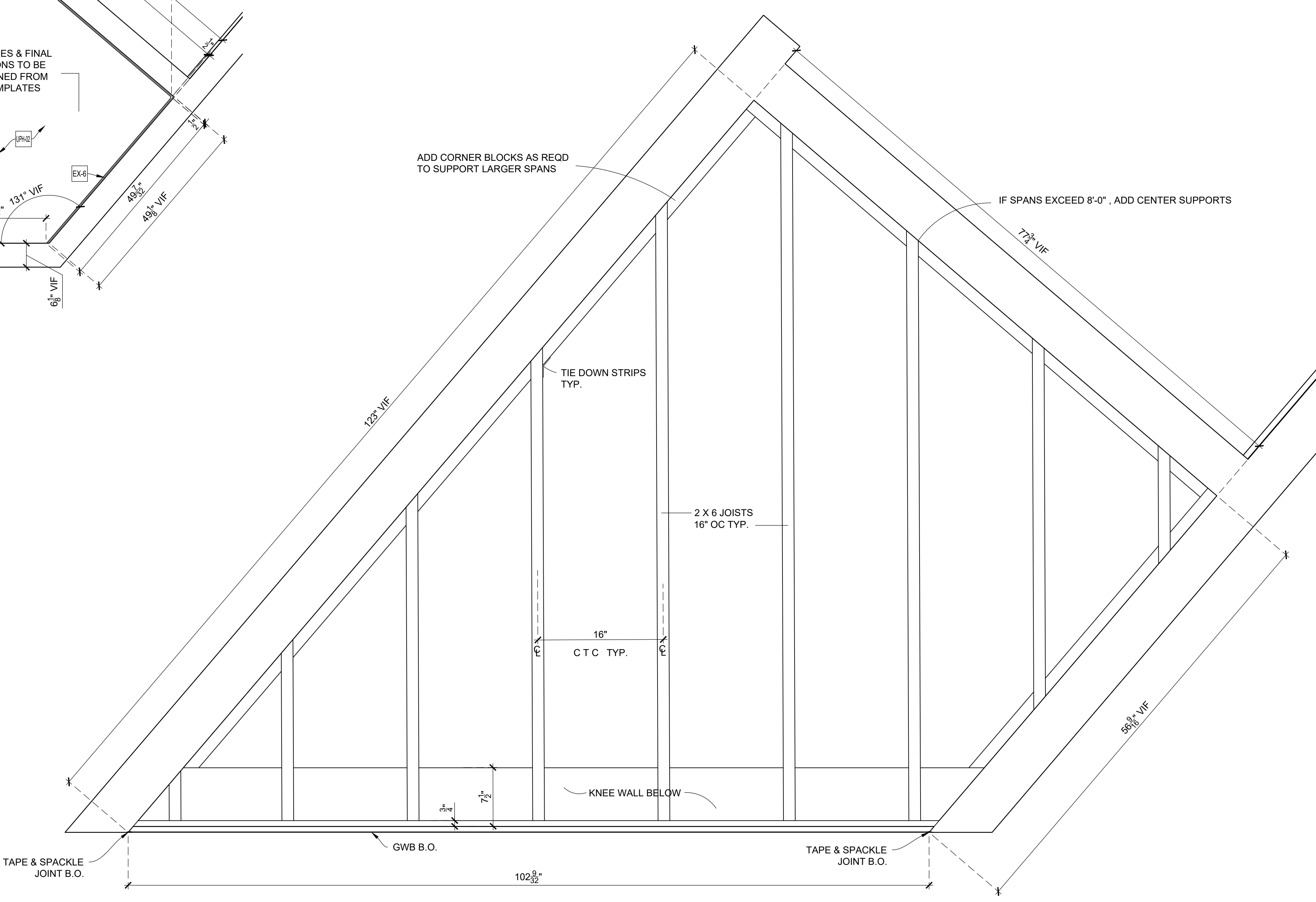


ARCHITECT NOTE:  
PLEASE VERIFY FINISH (TYP.).



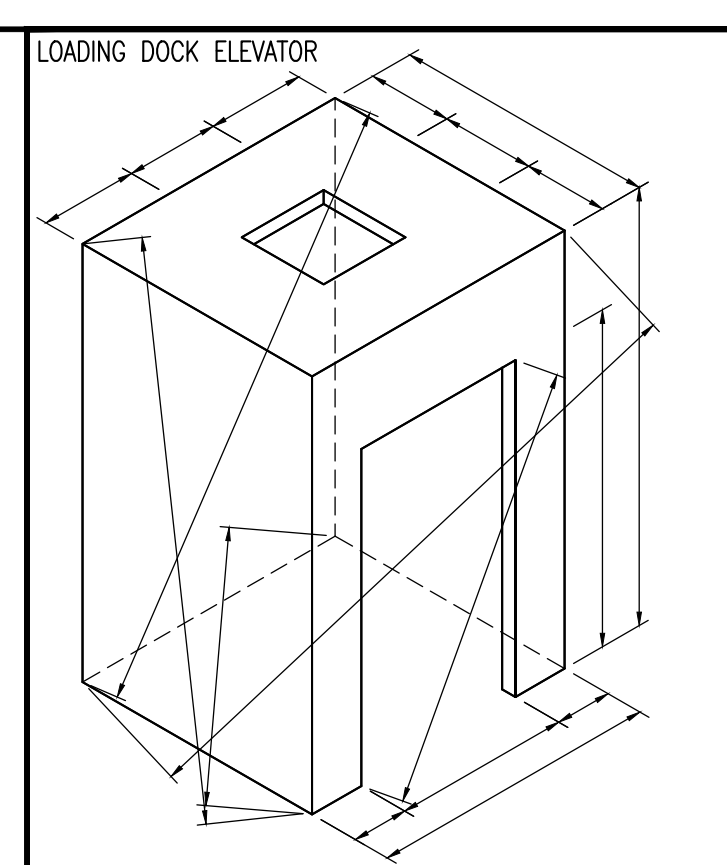
PLAN  
SCALE: 1/2" = 1'-0"  
Arch't Ref.: 1/A-107.00

ARCHITECT NOTE:  
PLEASE VERIFY LOCATIONS OF CUSHION JOINTS, TYP.



PLAN SECTION  
SCALE: 1-1/2" = 1'-0"  
Arch't Ref.: NONE

GC NOTE:  
SUPPORT SYSTEM HAS BEEN RE-ENGINEERED FOR ADDITIONAL STRENGTH AND SHORTER LEAD TIME



LOADING DOCK ELEVATOR  
Loose to field  
Fixed in shop

THIS SPACE RESERVED FOR GENERAL NOTES

THIS SPACE RESERVE FOR FINISH SCHEDULE

EXCLUSIONS:

EX-2	RABBER BASE
EX-3	FELT WALL PANEL (AWP-01)
EX-4	FELT WALL PANEL (AWP-04)
EX-5	FELT WALL PANEL (AWP-07)
EX-6	FELT WALL PANEL (AWP-08)
EX-7	FELT WALL PANEL (AWP-09)
EX-8	FELT WALL PANEL (AWP-10)

DRAWING SUBMITTALS AND RETURNS

DATE	PURPOSE	TO	RETURN	RETURN STATUS

DRAWING REVISIONS

DATE	DESCRIPTION	REVISED BY	COMMENTS
1			
2			
3			
4			
5			
6			
7			
8			
9			
10			

RELEASES FOR FABRICATION

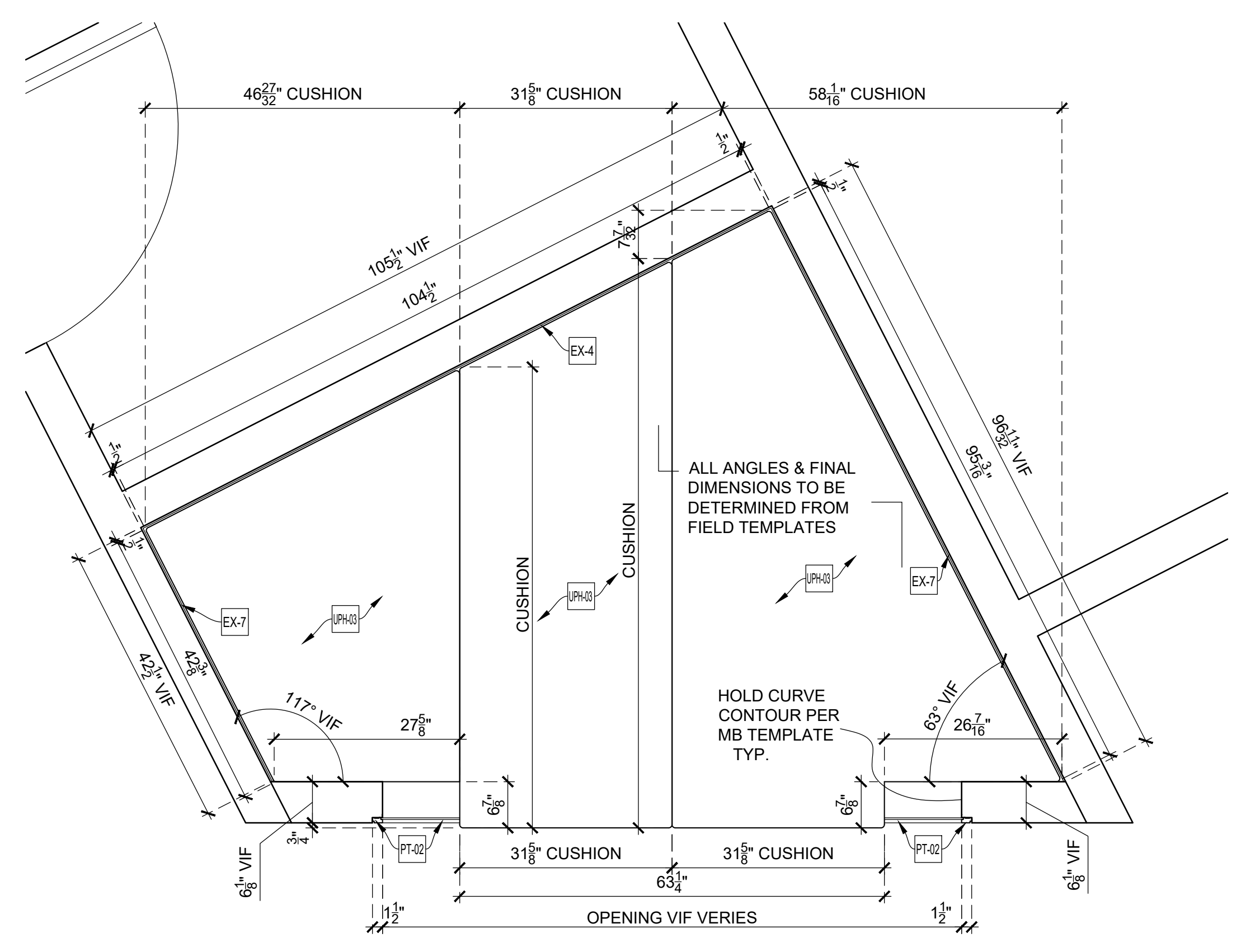
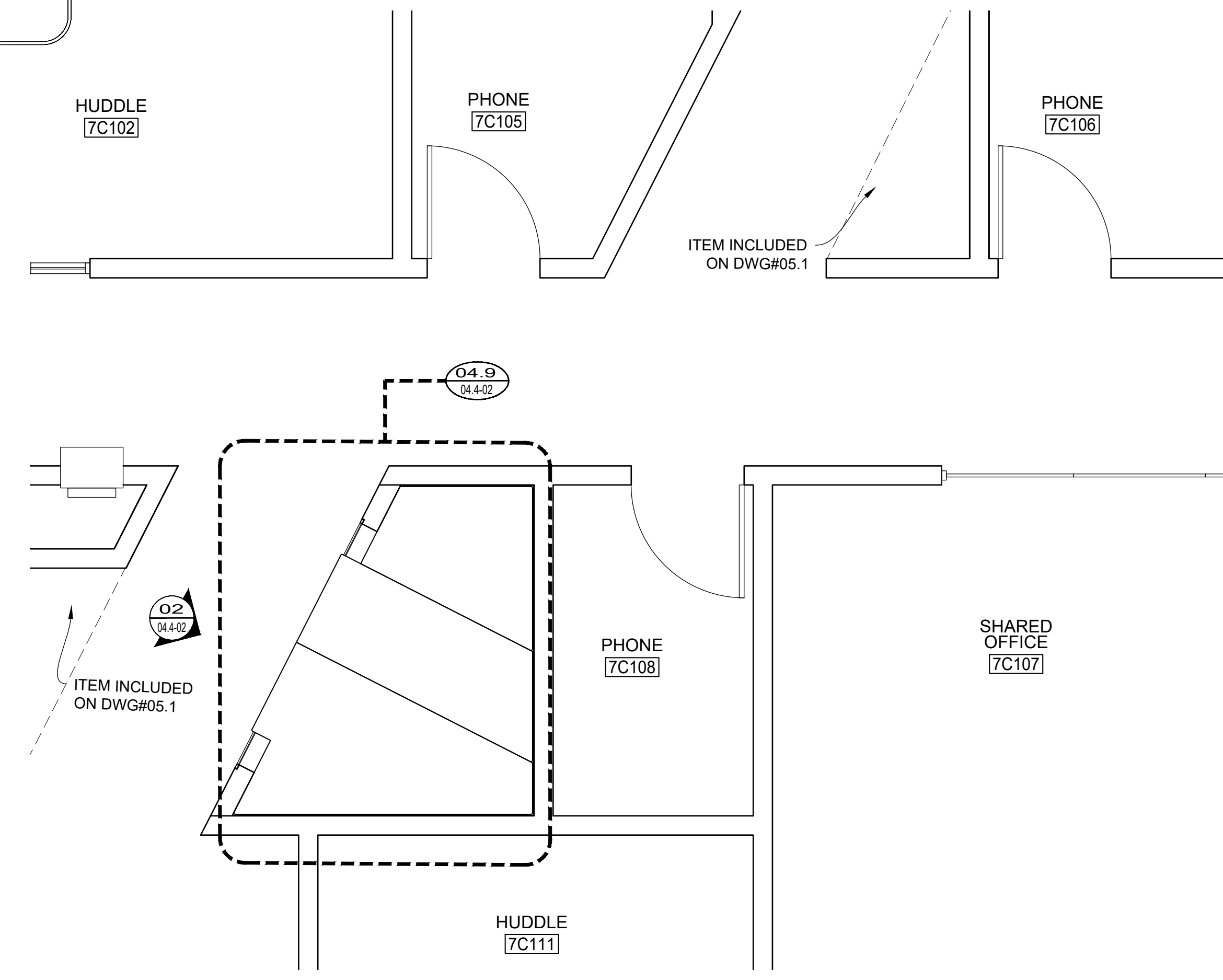
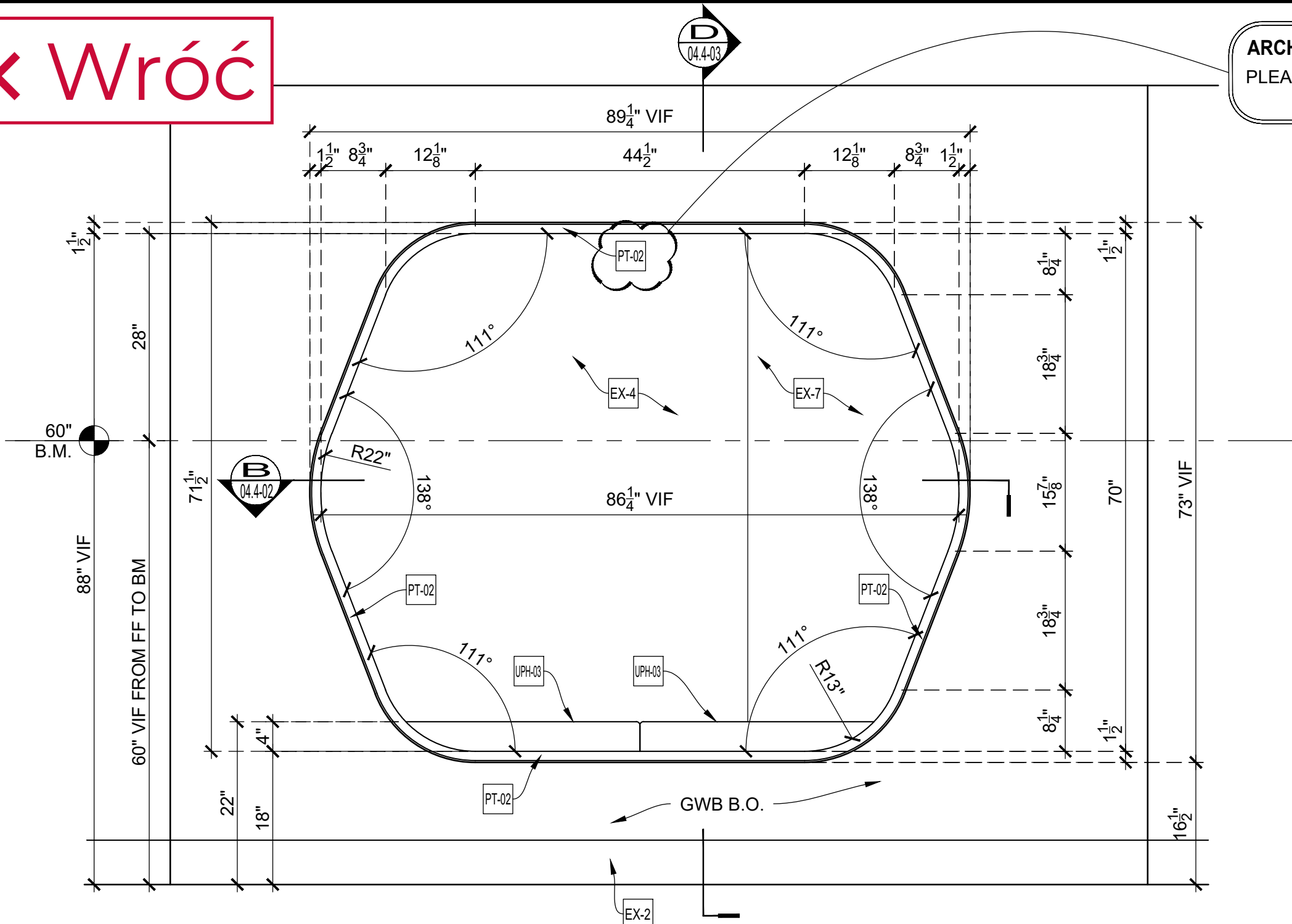
DATE	DESCRIPTION



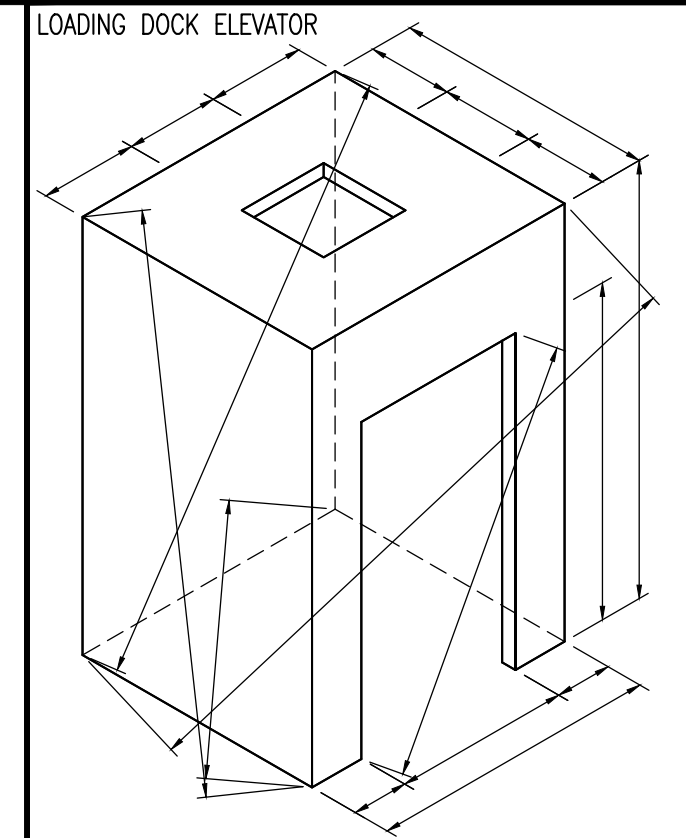
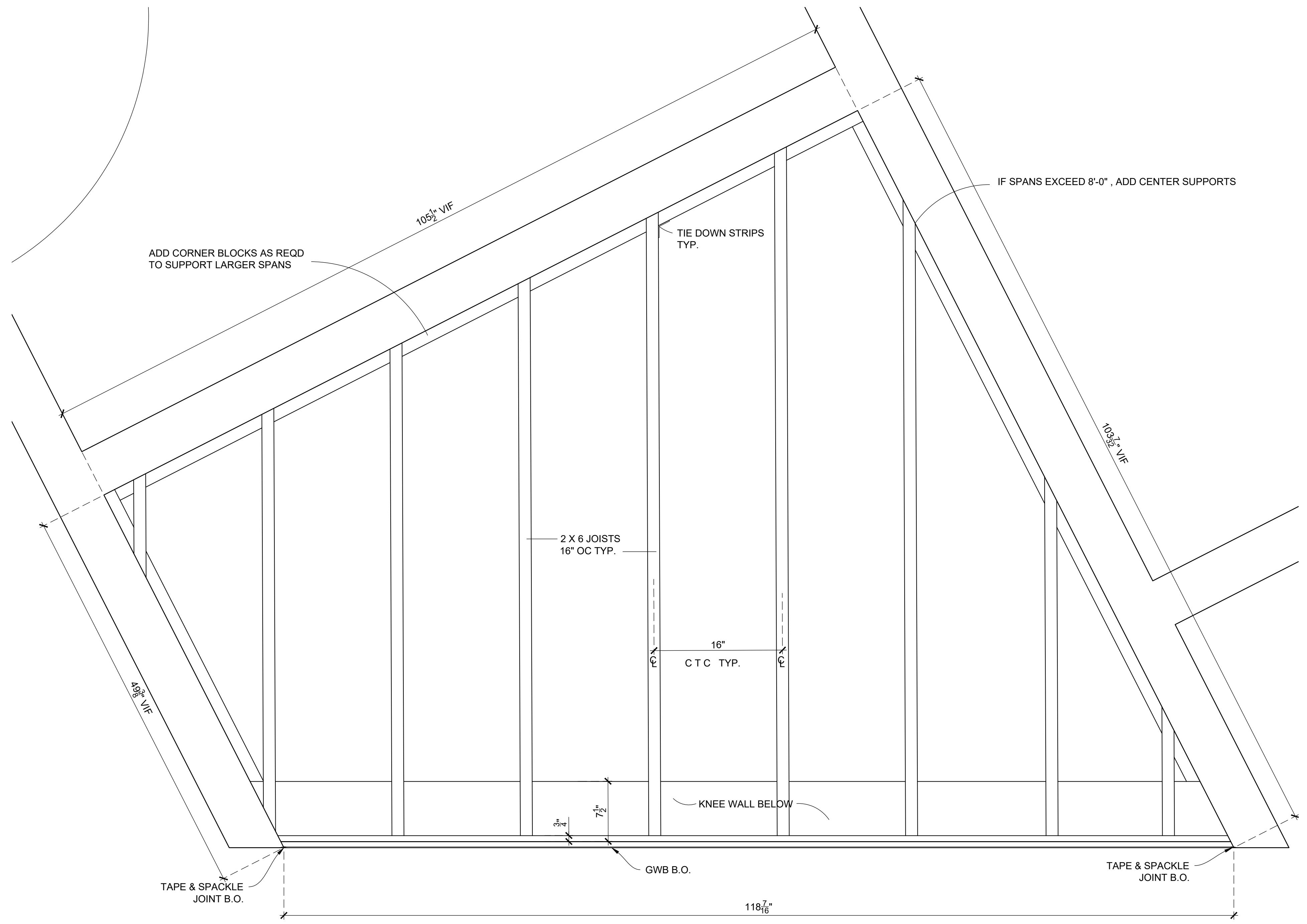


← Wróć

ARCHITECT NOTE:  
PLEASE VERIFY FINISH (TYP.).



GC NOTE:  
SUPPORT SYSTEM HAS BEEN  
RE-ENGINEERED FOR ADDITIONAL  
STRENGTH AND SHORTER LEAD TIME



Loose to field  
Fixed in shop

THIS SPACE  
RESERVED  
FOR FINISH  
SCHEDULE

EXCLUSIONS:

EX-2	RABBER BASE
EX-3	FELT WALL PANEL (AWP-01)
EX-4	FELT WALL PANEL (AWP-04)
EX-5	FELT WALL PANEL (AWP-07)
EX-6	FELT WALL PANEL (AWP-08)
EX-7	FELT WALL PANEL (AWP-09)
EX-8	FELT WALL PANEL (AWP-10)

DRAWING SUBMITTALS AND RETURNS				
DATE	PURPOSE	TO	RETURN	RETURN STATUS

DRAWING REVISIONS			
DATE	DESCRIPTION	REVISED BY	COMMENTS
1			
2			
3			
4			
5			
6			
7			
8			
9			
10			

RELEASES FOR FABRICATION	
DATE	DESCRIPTION

TITLE:  
ITEM NO:  
DESC.: ELEVATION, PLAN, PARTIAL K-PLAN, PLAN SECTION  
DESC.: PAVILION #2 BENCHES  
By: PD Scale: As Noted Job No. Dwg. No.  
Status: In Submittal Review Date: 2019-03-25 04.4-02









