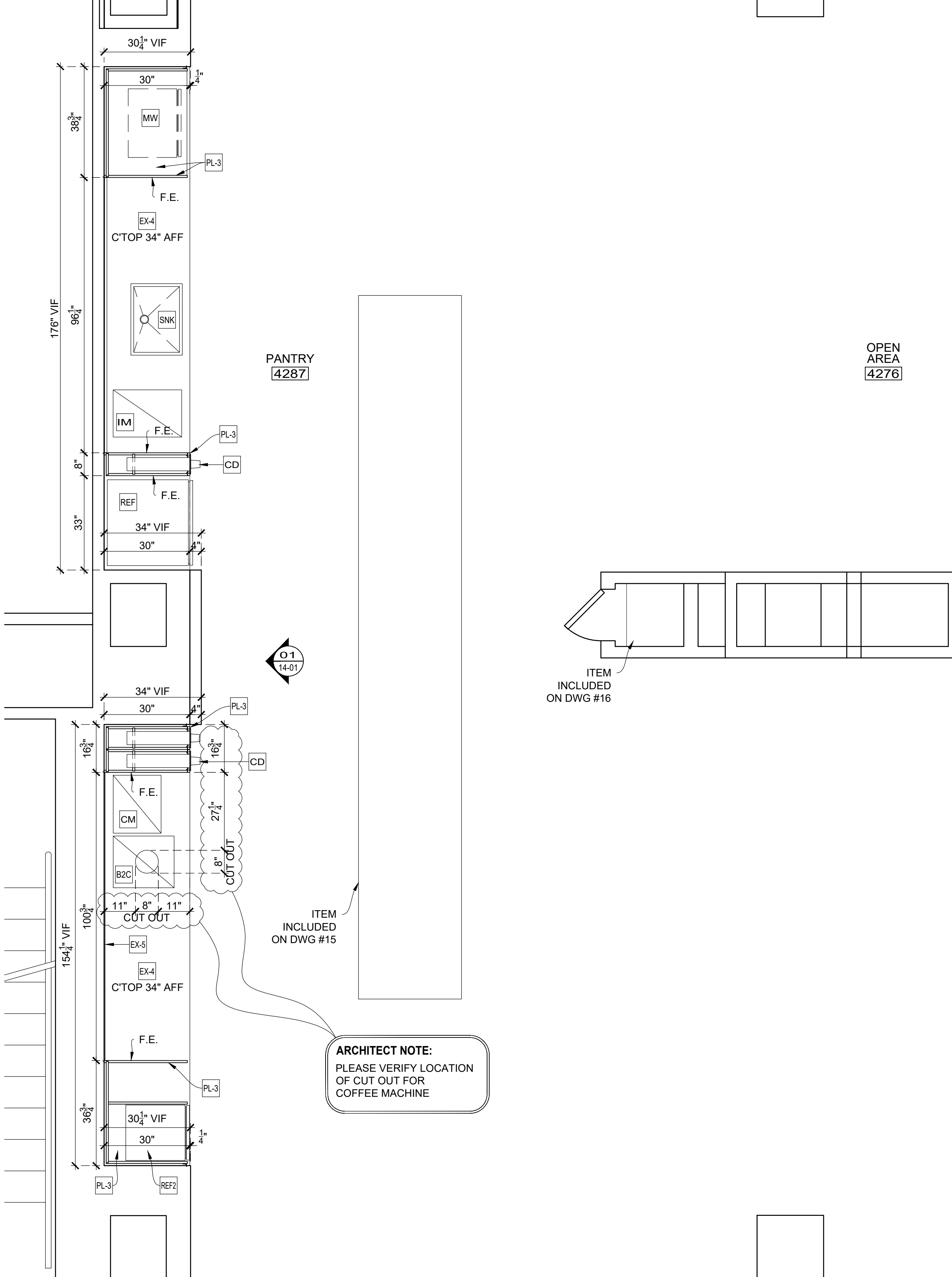
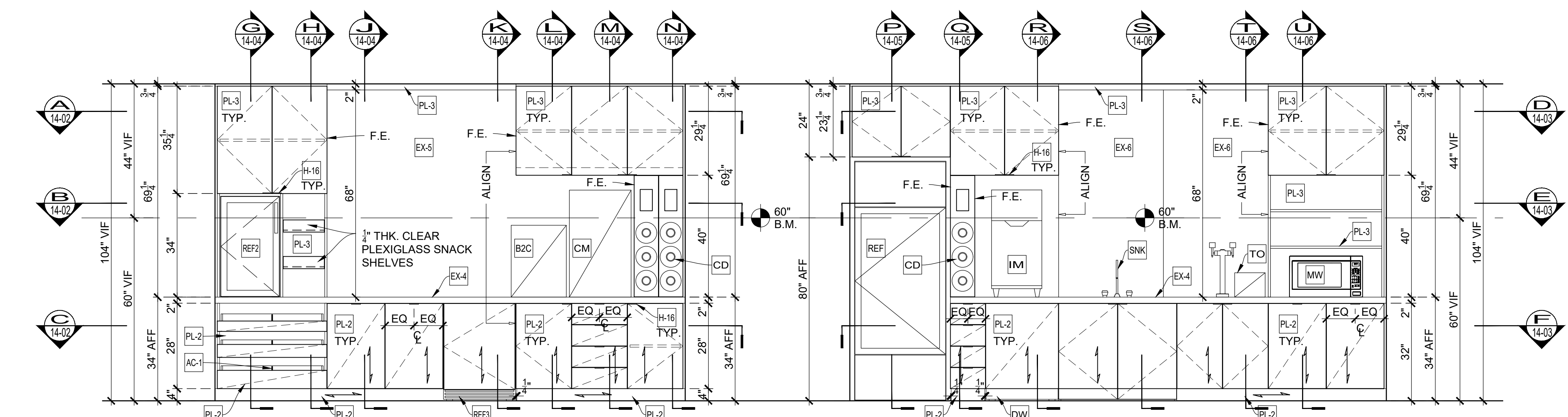


← Wróć



14-01 PLAN
SCALE: 1/2" = 1'-0"
Arch't Ref.: A-103.00

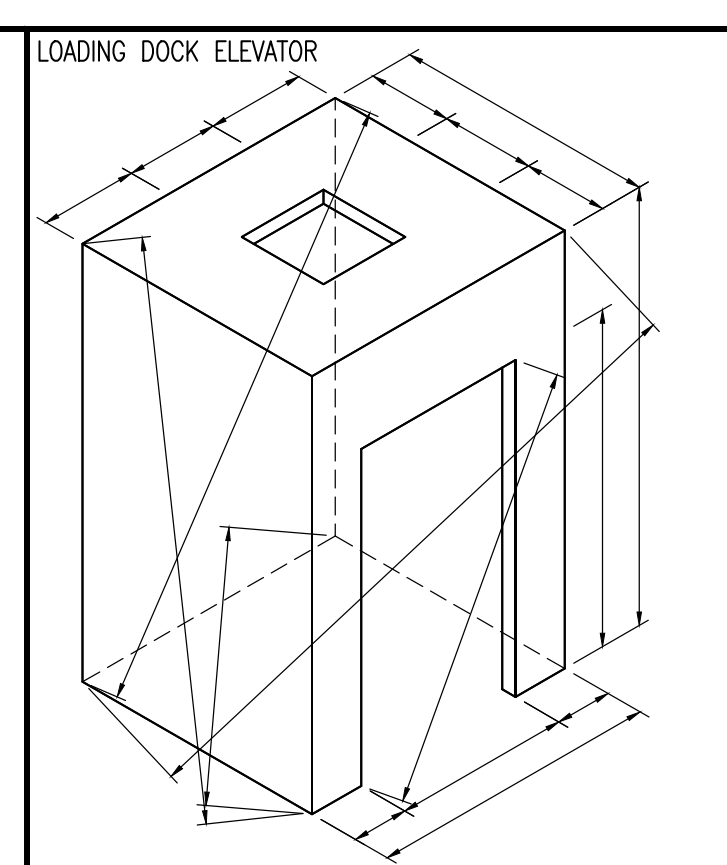


14-01 ELEVATION
SCALE: 1/2" = 1'-0"
Arch't Ref.: 1/A-202.00

EQUIPMENT LIST	
FURNISHED AND INSTALLED BY OTHERS	
B2C	COFFEE MACHINE, DE JONG DUKE #NIO 20.3 D: 21.3" W: 18.1" H: 23.6"
CD	CUP DISPENSER, DISPENSE-RITE #ADJ-2 D: _____ W: _____ H: (L): 22"
CM	COFFEE BREWER, CURTIS #TP15T TWIN D: 16.75" W: 20.25" H: 35.125"
DW	DISHWASHER, ASKO #DF1664 D: 22" W: 23-5/8" H: 32-3/4"
EX-7	LIGHT FIXTURE D: _____ W: _____ H: _____
IM	ICE MACHINE, HOSHIZAKI #DCM-270BAH D: 24" W: 16-1/2" H: 35-3/16"
MW	MICROWAVE, GE #PEST227SLSS, SS. STEEL D: 18-1/2" W: 24" H: 13-1/2"
REF	REFRIGERATOR, TRUE #GDM-26-HC-TSL01, SS. STEEL D: 29-7/8" W: 30" H: 78-5/8"
REF2	REFRIGERATOR, SUMMIT #SCR450LB17HV SS. STEEL D: 22.25" W: 19.38" H: 33.13"
REF3	REFRIGERATOR, SUMMIT #AL54IF D: 23.75" W: 23.63" H: 32.25"
SNK	SINK AND FAUCET, EXISTING D: _____ W: _____ H: _____
TO	TOASTER, EXISTING D: _____ W: _____ H: _____
VIV	WATER DISPENSER, VIVREAU #V3-205 D: 17" W: 14.7" H: 18.5"

ARCHITECT NOTE:
PLEASE PROVIDE APPROVED SPECIFICATION FOR COORDINATION

ARCHITECT NOTE:
ARCHITECT PLEASE VERIFY ALL GRAIN DIRECTIONS



Loose to field
Fixed in shop

THIS SPACE RESERVE FOR FINISH SCHEDULE

APPLIANCE:

REF	GLASS FRONT REFRIGERATOR, TRUE #GDM-26-HC-TSL01, SS. STEEL
REF2	GLASS FRONT REFRIGERATOR, SUMMIT #SCR450LB17HV, SS. STEEL
REF3	UNDER-COUNTER REFRIGERATOR, SUMMIT #AL54IF
CM	COFFEE BREWER, CURTIS #TP15T TWIN
CD	CUP DISPENSER, DISPENSE-RITE #ADJ-2
IM	COUNTER TOP ICE MAKER, HOSHIZAKI #DCM-270BAH
DW	DISHWASHER, ASKO #DF1664
SNK	SINK AND FAUCET, EXISTING
VIV	WATER DISPENSER, VIVREAU #V3-205
TO	TOASTER, EXISTING
MW	MICROWAVE, GE #PEST227SLSS, STAINLESS STEEL

EXCLUSIONS:

EX-4	SOLID SURF. (SS-2), CAESARSTONE COLOR #2003
EX-5	CERAMIC WALL TILE (CTW-1)
EX-6	WALL SLAB (ST-EX)
EX-7	LIGHT FIXTURE

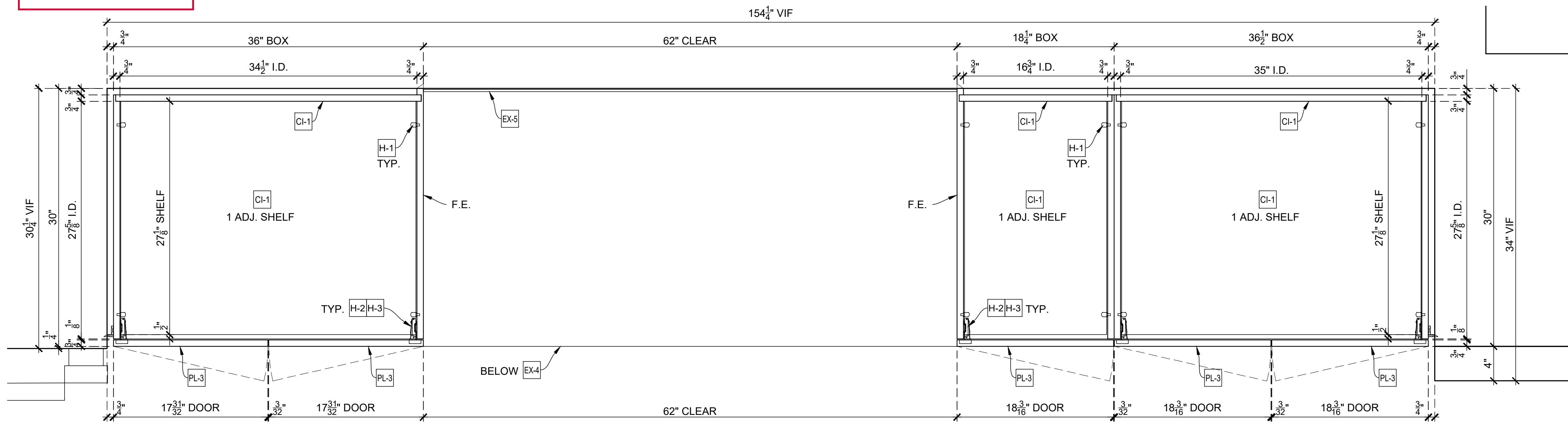
DRAWING SUBMITTALS AND RETURNS				
DATE	PURPOSE	TO	RETURN	RETURN STATUS

DRAWING REVISIONS				
DATE	DESCRIPTION	REVISED BY	COMMENTS	
1				
2				
3				
4				
5				
6				
7				
8				
9				
10				

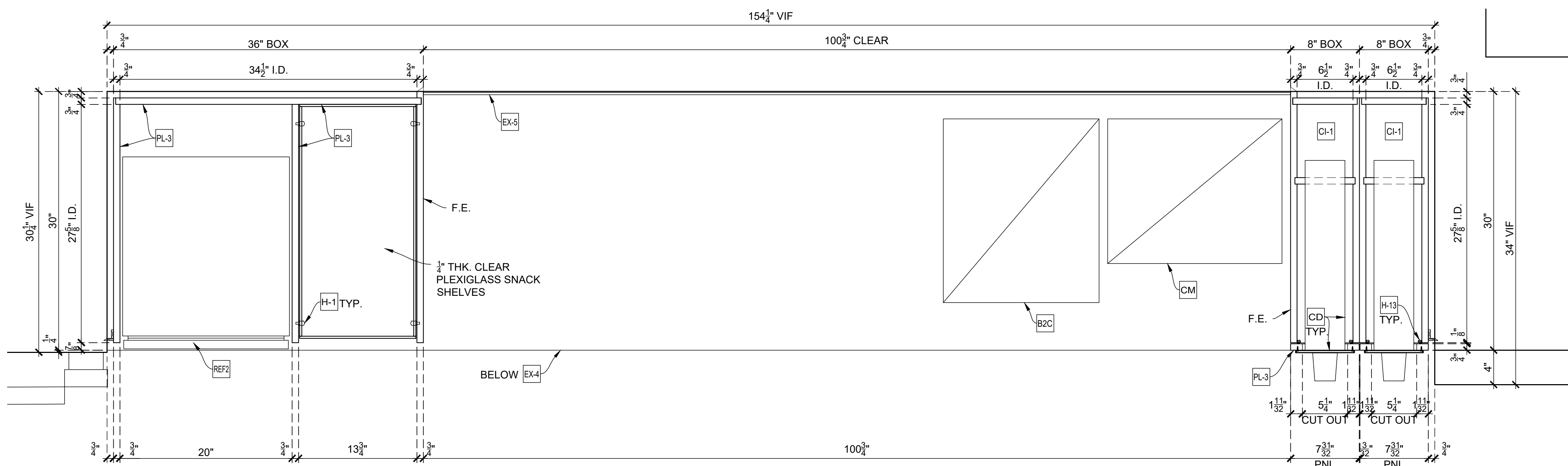
RELEASES FOR FABRICATION	
DATE	DESCRIPTION



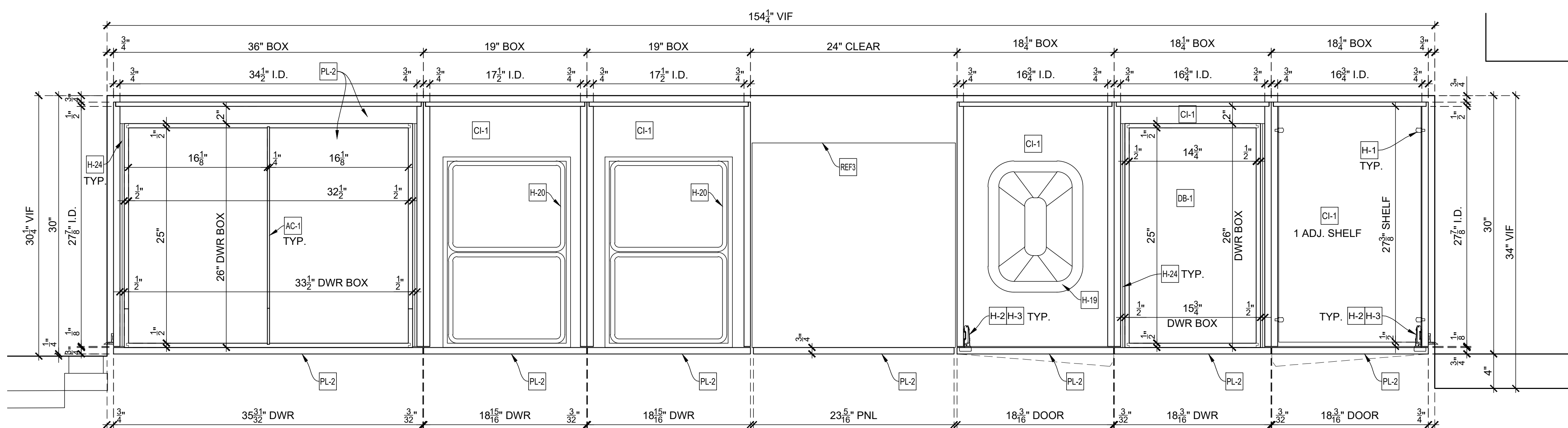
< Wróć



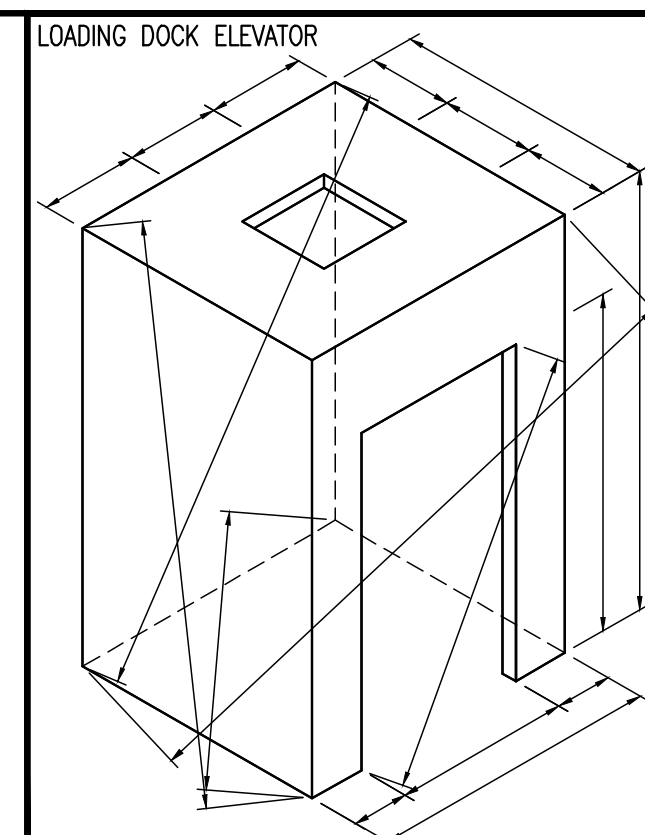
A PLAN SECTION
SCALE: 1-1/2" = 1'-0"
Arch Ref.: N/A



B PLAN SECTION
SCALE: 1-1/2" = 1'-0"
Arch Ref.: N/A



C PLAN SECTION
SCALE: 1-1/2" = 1'-0"
Arch Ref.: N/A



Loose to field
Fixed in shop

THIS SPACE
RESERVE
FOR FINISH
DULE

APPLIANCE:

REF-1	GLASS FRON REFRIGERATOR, TRUE #GDM-26-HC-TSL01, SS, STEEL
REF-2	GLASS FRON REFRIGERATOR, SUMMIT #SCR450LB17HV, SS, STEEL
REF-3	UNDER-COUNTER REFRIGERATOR, SUMMIT #AL54IF
B2C	COFFEE MACHINE, DEJONG DUKE #NIO 20.3
CM	COFFEE BREWER, CURTIS #TP15T TWIN
CD	CUP DISPENSER, DISPENSE-RITE #ADJ-2
IM	COUNTER TOP ICE MAKER, HOSHIZAKI #DCM-270BAH
DW	DISHWASHER, ASKO #RF1604
SNK	SINK AND FAUCET, EXISTING
VIV	WATER DISPENSER, VIVREAU #V3-205
TO	TOASTER, EXISTING
MW	MICROWAVE, GE #PE87227SLSS, STAINLESS STEEL

EXCLUSIONS:

EX-4	SOLID SURF. (SS-2), CAESARSTONE COLOR #2003
EX-5	CERAMIC WALL TILE (CTW-1)
EX-6	WALL SLAB (ST-EX)
EX-7	LIGHT FIXTURE

DRAWING SUBMITTALS AND RETURNS

DATE	PURPOSE	TO	RETURN	RETURN STATUS

DRAWING REVISIONS

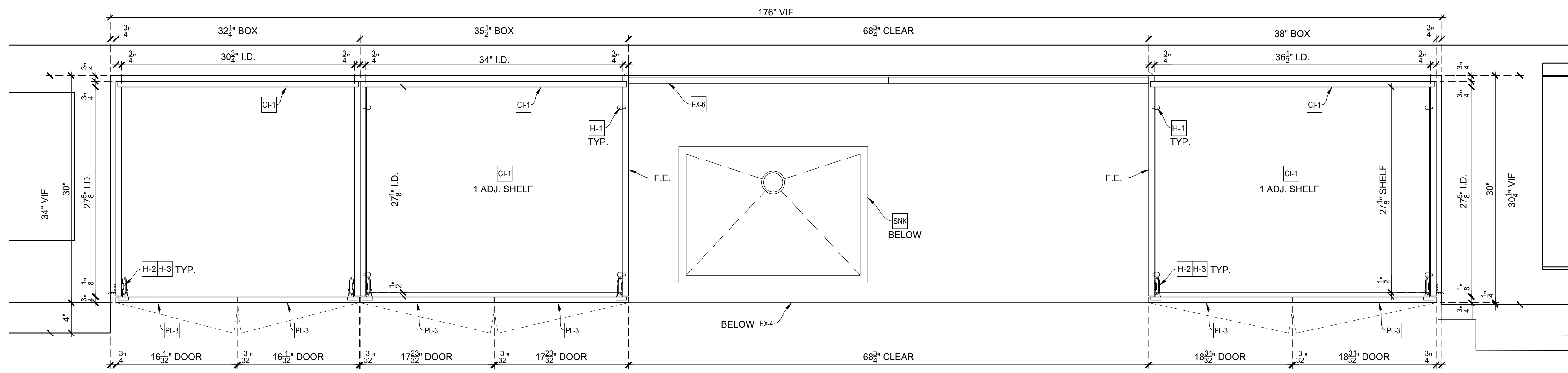
DATE	DESCRIPTION	REVISED BY	COMMENTS
1			
2			
3			
4			
5			
6			
7			
8			
9			
10			

RELEASES FOR FABRICATION

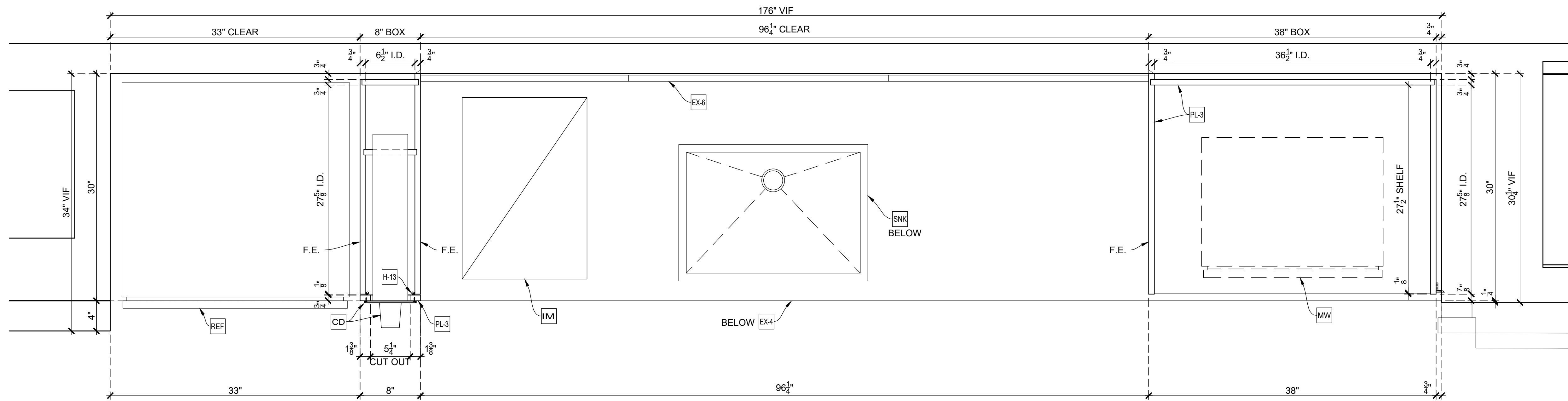
DATE	DESCRIPTION



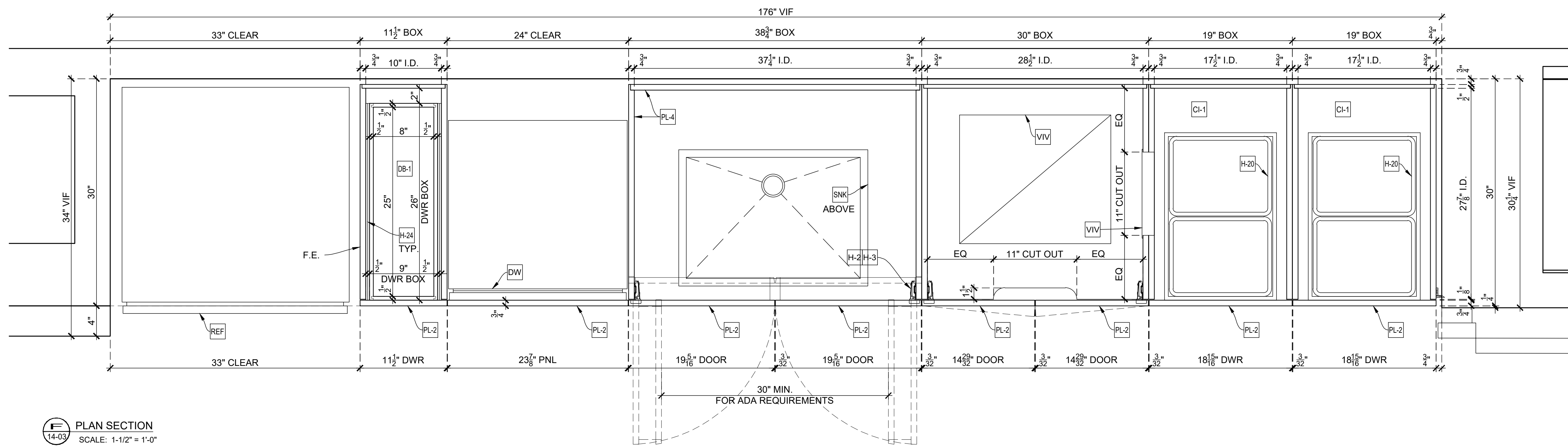
< Wróć



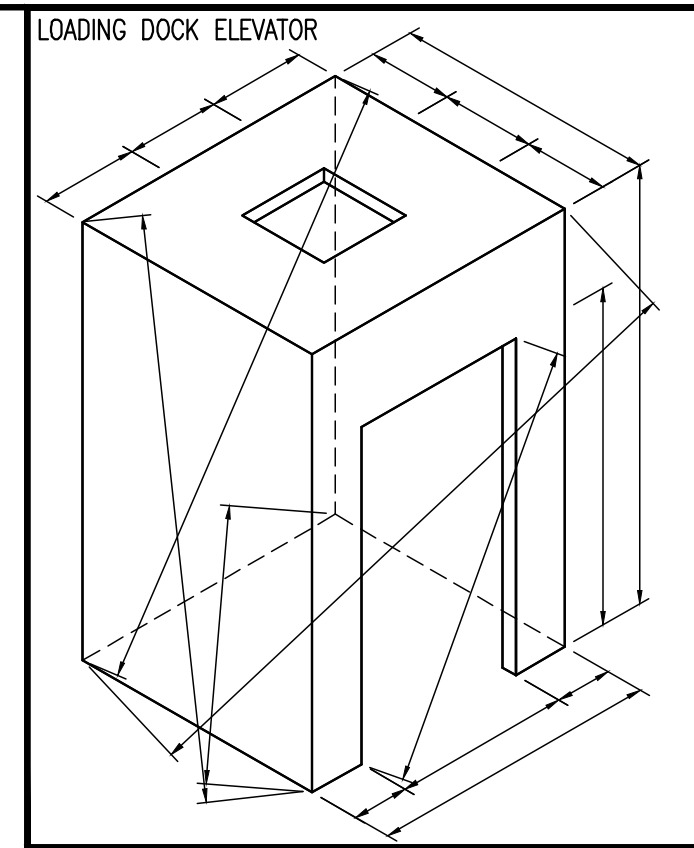
D PLAN SECTION
SCALE: 1-1/2" = 1'-0"
Arch't Ref.: N/A



E PLAN SECTION
SCALE: 1-1/2" = 1'-0"
Arch't Ref.: N/A



F PLAN SECTION
SCALE: 1-1/2" = 1'-0"
Arch't Ref.: N/A



Loose to field
Fixed in shop

THIS SPACE
RESERVE
FOR FISH
DULE

APPLIANCE:

REF-1	GLASS FRON REFRIGERATOR, TRUE #GDM-26-HC-TSL01, SS, STEEL
REF-2	GLASS FRON REFRIGERATOR, SUMMIT #SCR450LB17HV, SS, STEEL
REF-3	UNDER-COUNTER REFRIGERATOR, SUMMIT #AL54IF
CM	COFFEE BREWER, CURTIS #TP15T TWIN
CD	CUP DISPENSER, DISPENSE-RITE #ADJ-2
IM	COUNTER TOP ICE MAKER, HOSHIZAKI #DCM-270BAH
DW	DISHWASHER, ASKO #RF1664
SNK	SINK AND FAUCET, EXISTING
VIV	WATER DISPENSER, VIVREAU #V3-205
TO	TOASTER, EXISTING
MW	MICROWAVE, GE #PE87227SLSS, STAINLESS STEEL

EXCLUSIONS:

EX-4	SOLID SURF. (SS-2), CAESARSTONE COLOR #2003
EX-5	CERAMIC WALL TILE (CTW-1)
EX-6	WALL SLAB (ST-EX)
EX-7	LIGHT FIXTURE

DRAWING SUBMITTALS AND RETURNS				
DATE	PURPOSE	TO	RETURN	RETURN STATUS

DRAWING REVISIONS			
DATE	DESCRIPTION	REVISED BY	COMMENTS
1			
2			
3			
4			
5			
6			
7			
8			
9			
10			

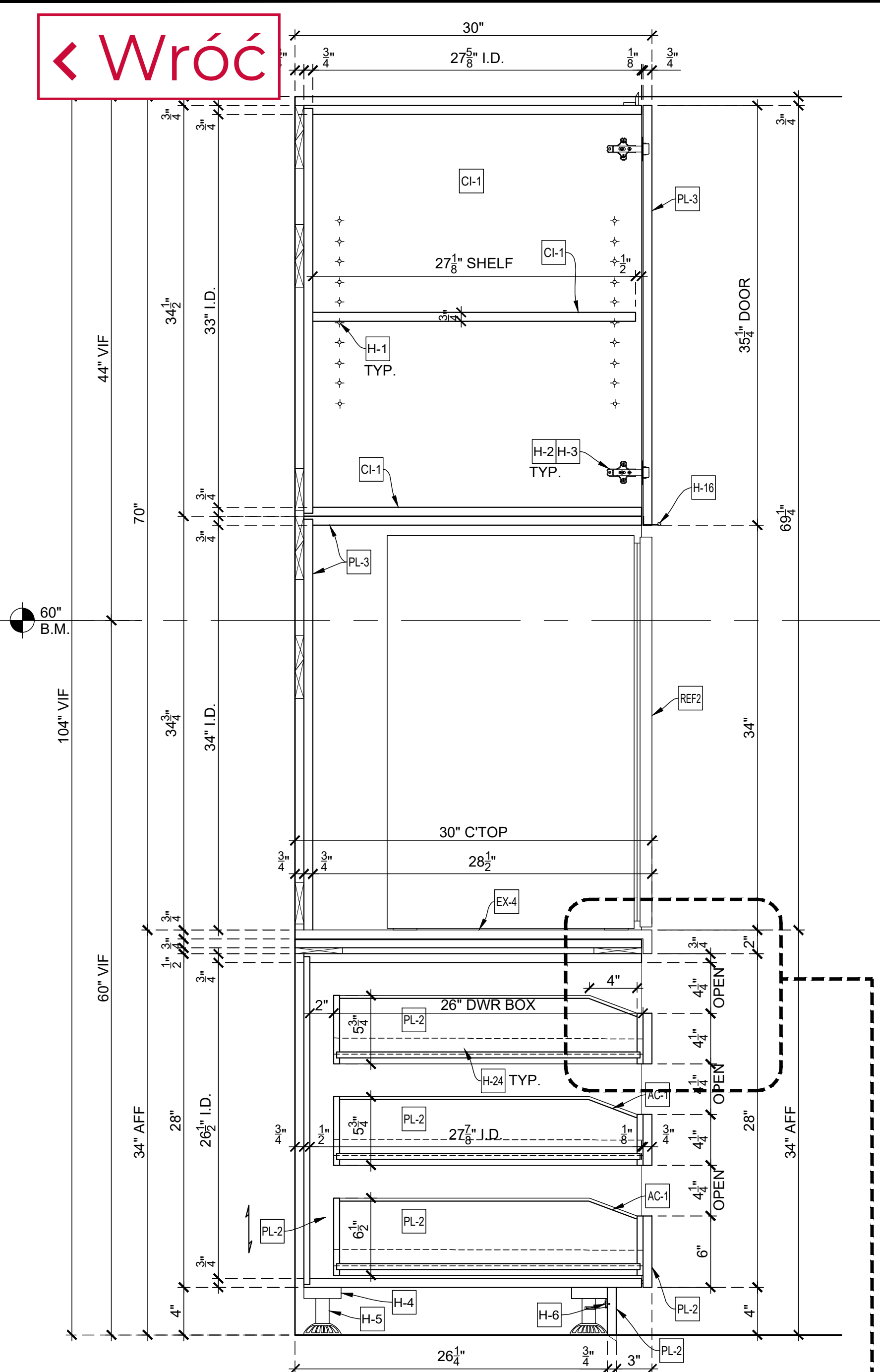
RELEASES FOR FABRICATION	
DATE	DESCRIPTION

TITLE:
ITEM NO:
DESC.: SECTIONS
DESC.: PANTRY 4287

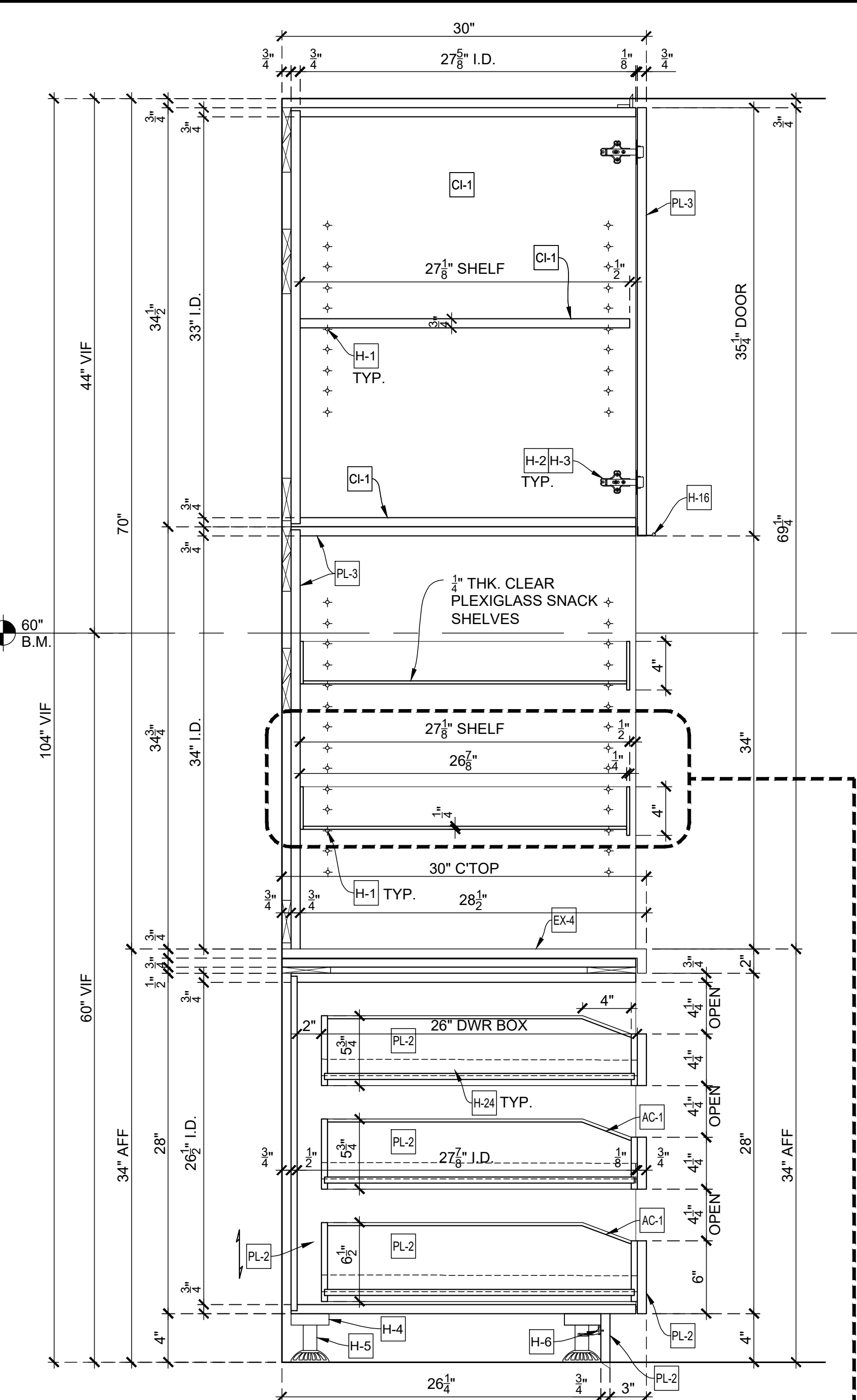
By: PD Scale: As Noted Job No. Dwg. No.
Status: In Submittal Review Date: 2019-04-17 14-03



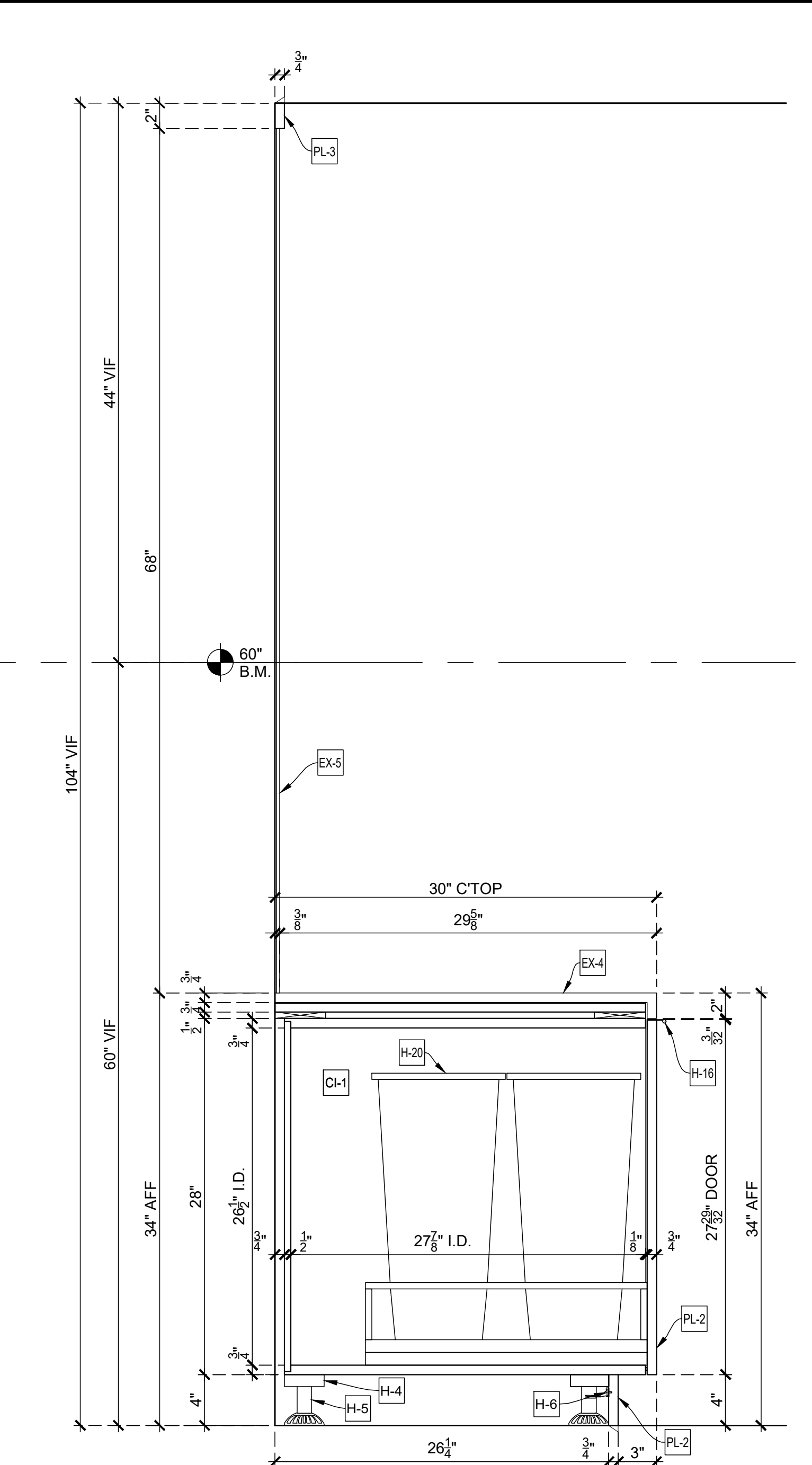
Wróć



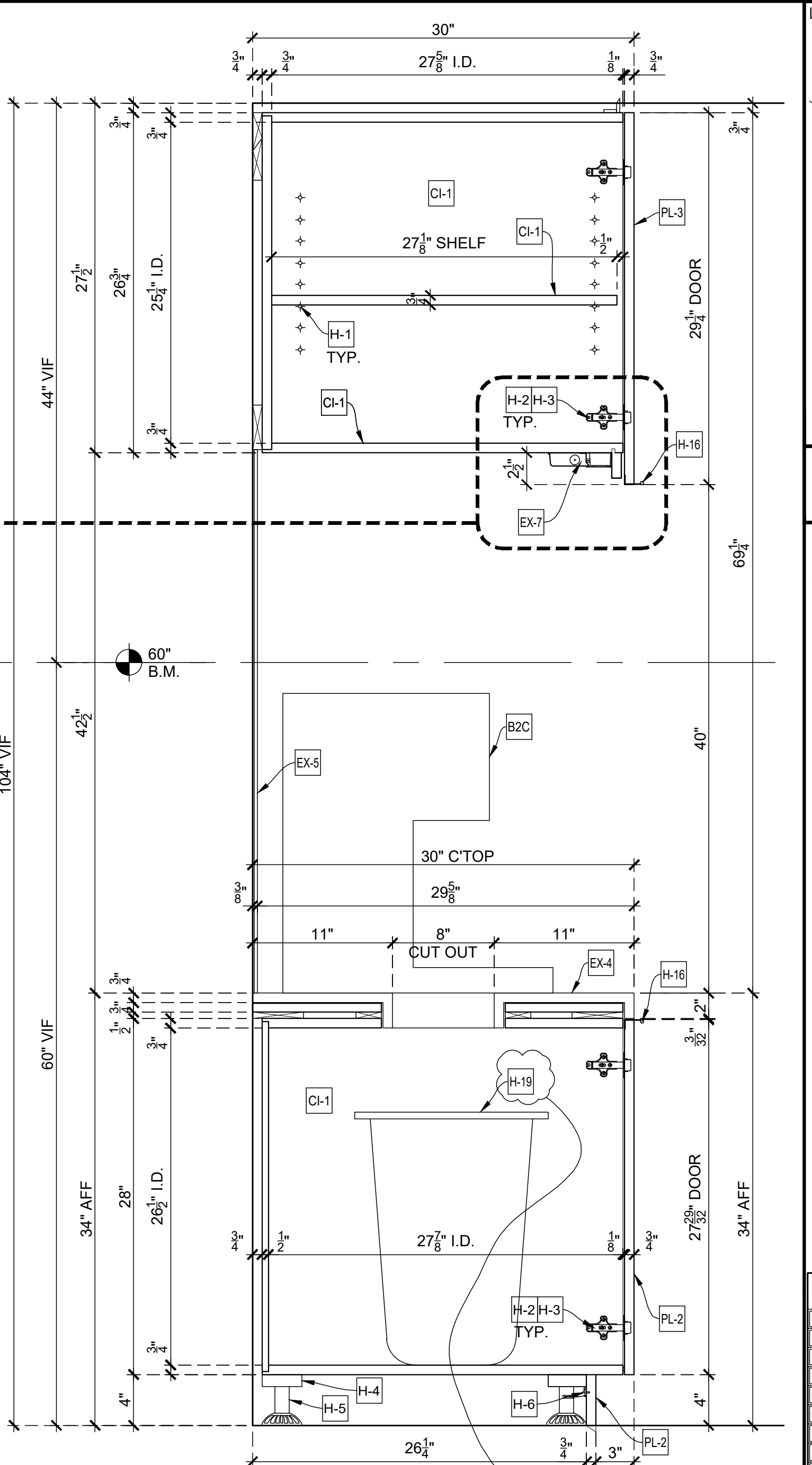
14.04 VERTICAL SECTION
SCALE: 1-1/2" = 1'-0"
Arch't Ref.: 7/A-502.00



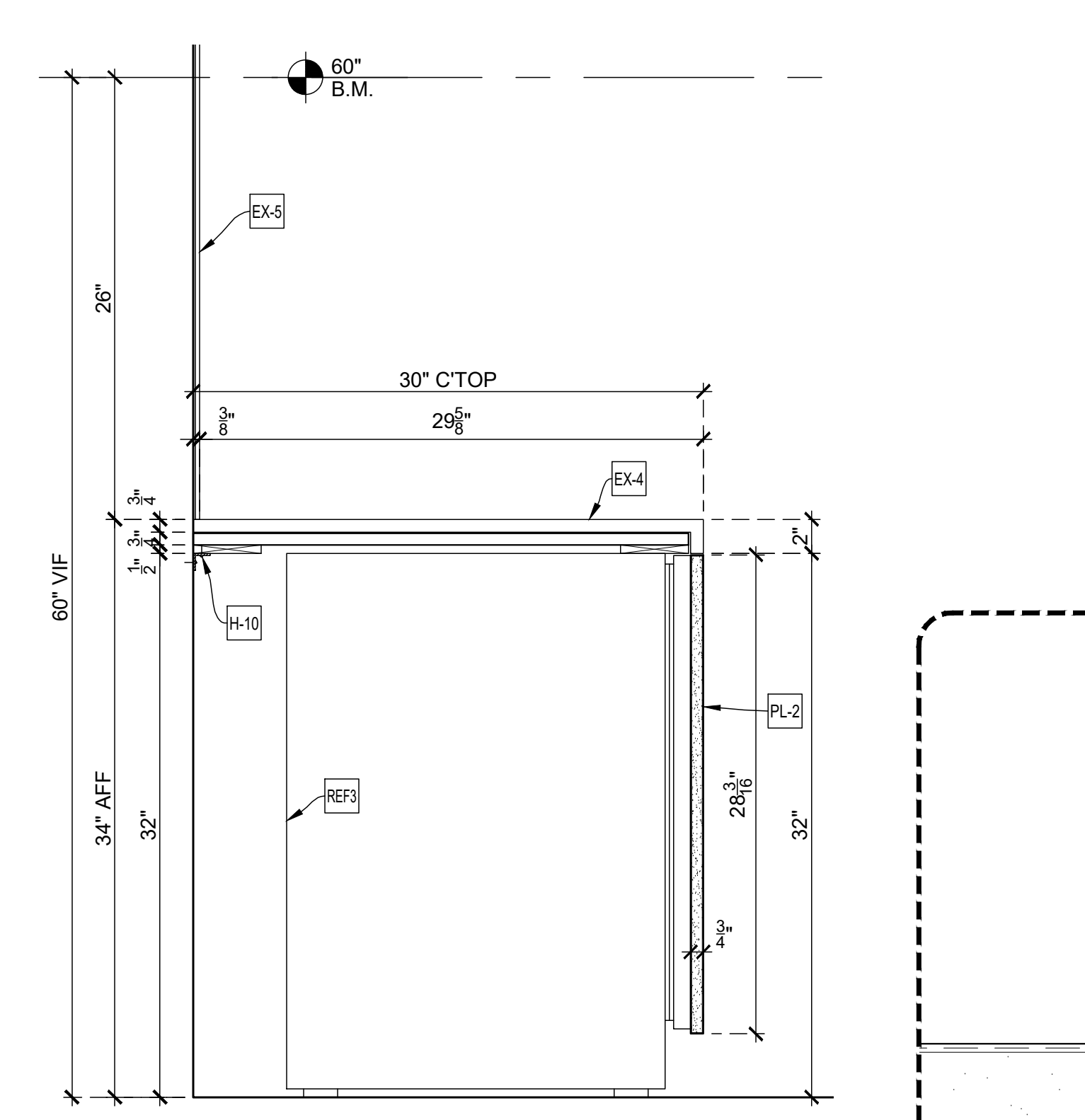
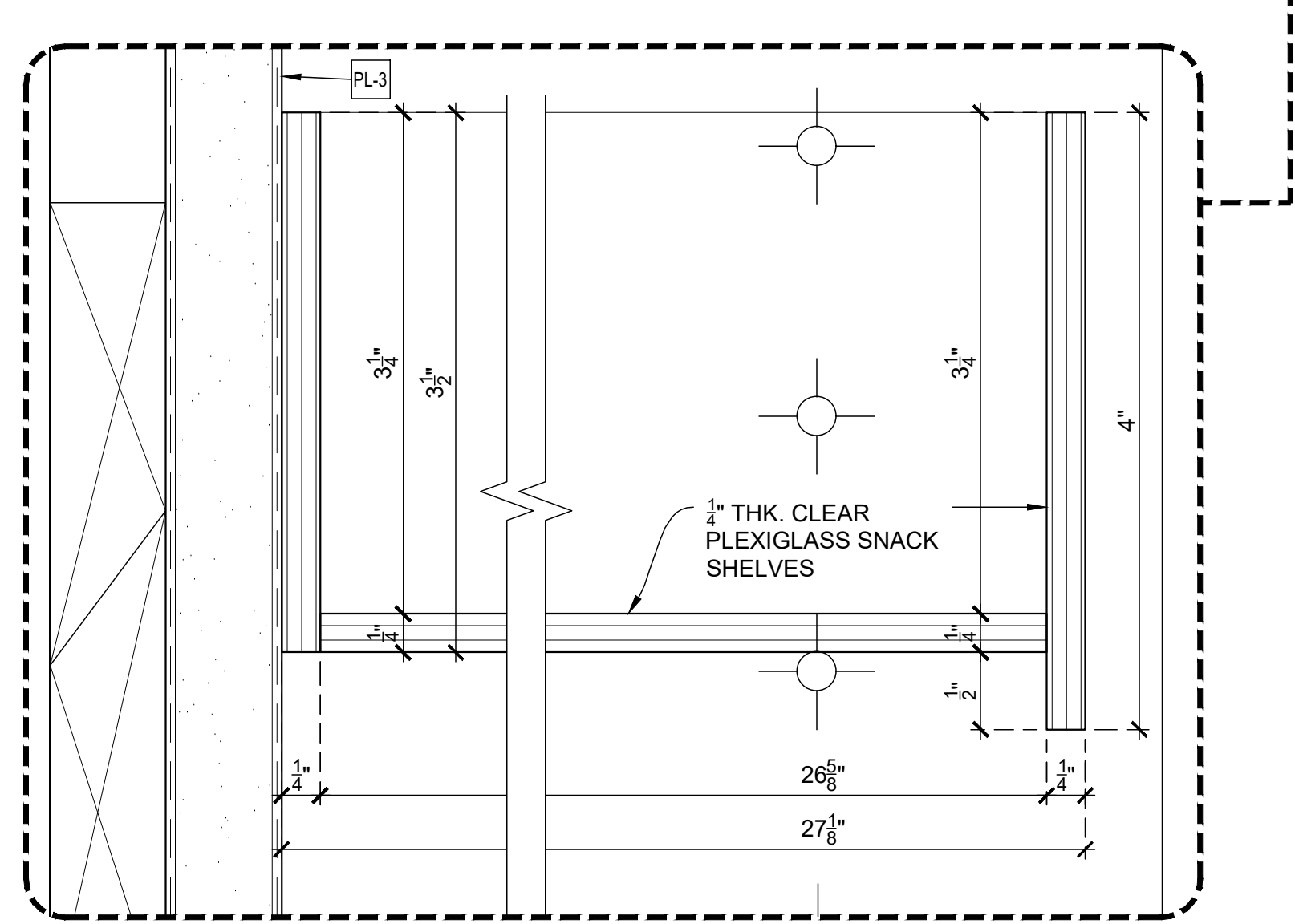
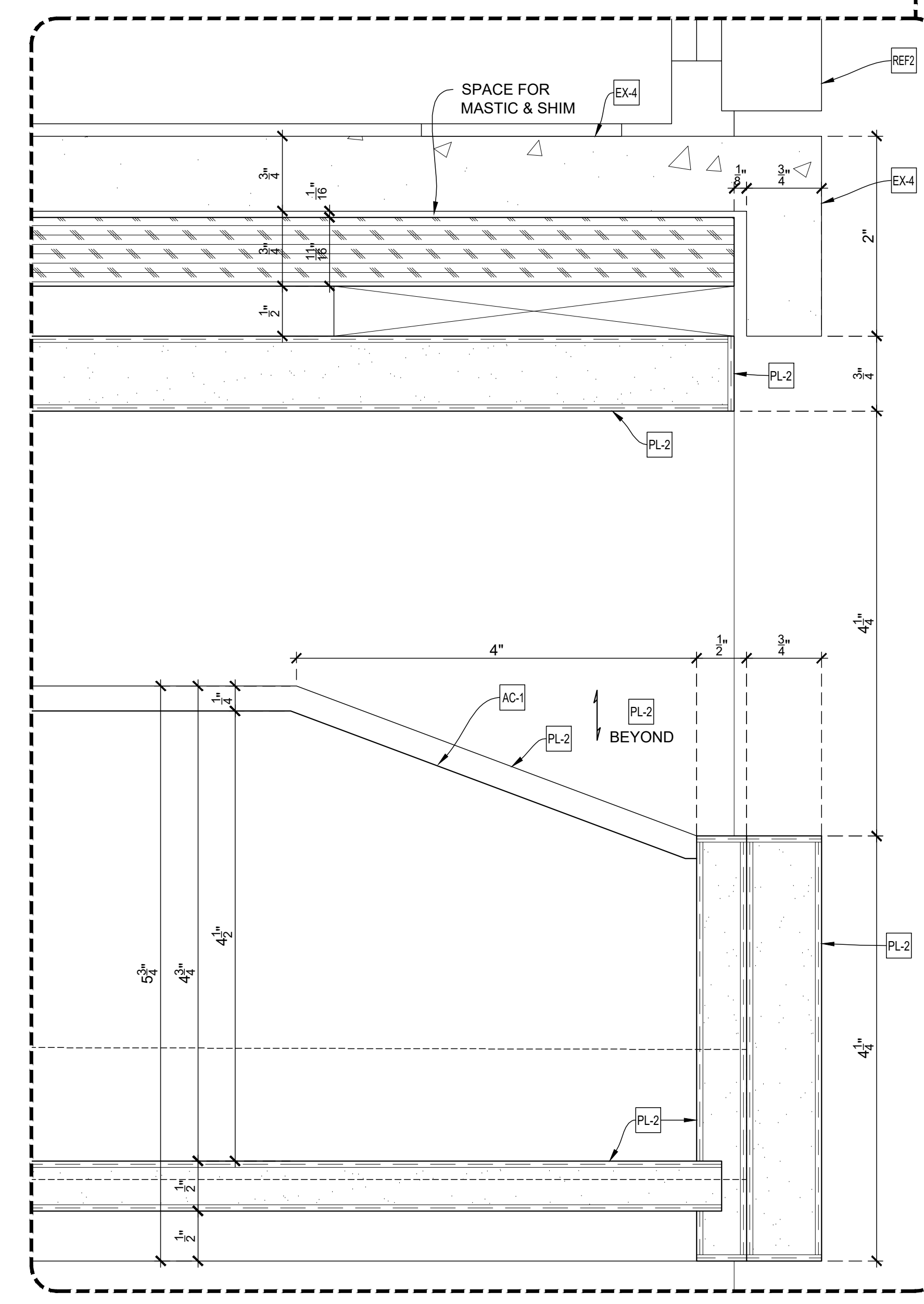
14.07 VERTICAL SECTION
SCALE: 1-1/2" = 1'-0"
Arch't Ref.: 7/A-502.00



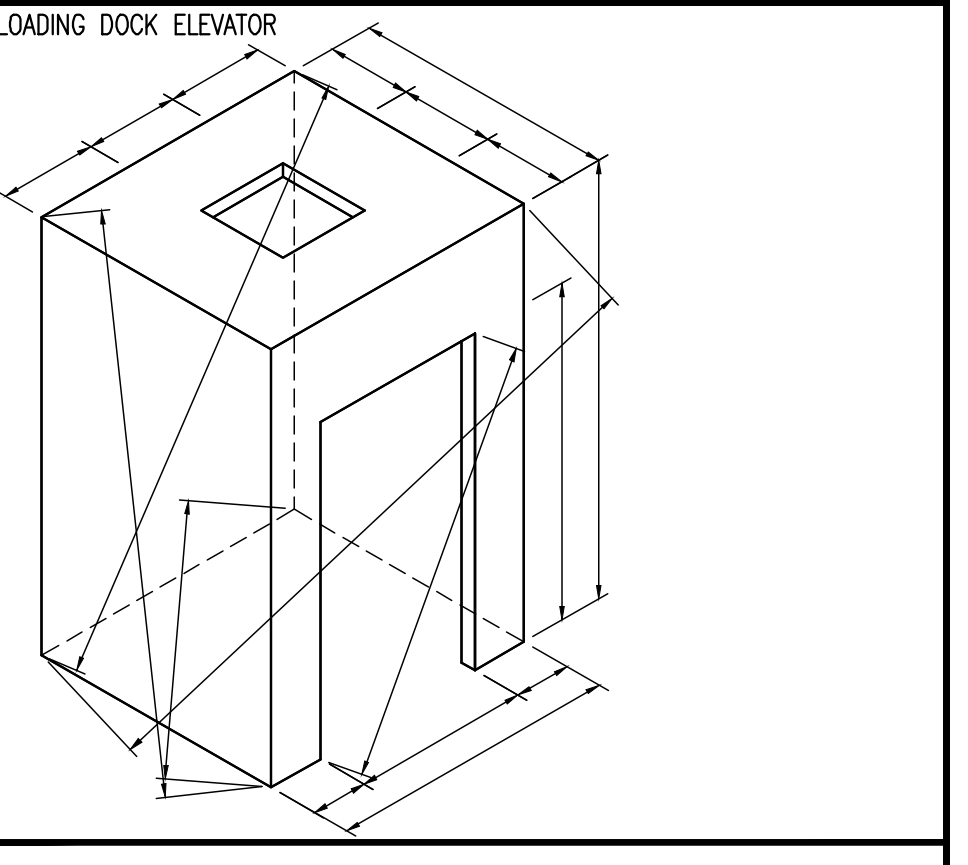
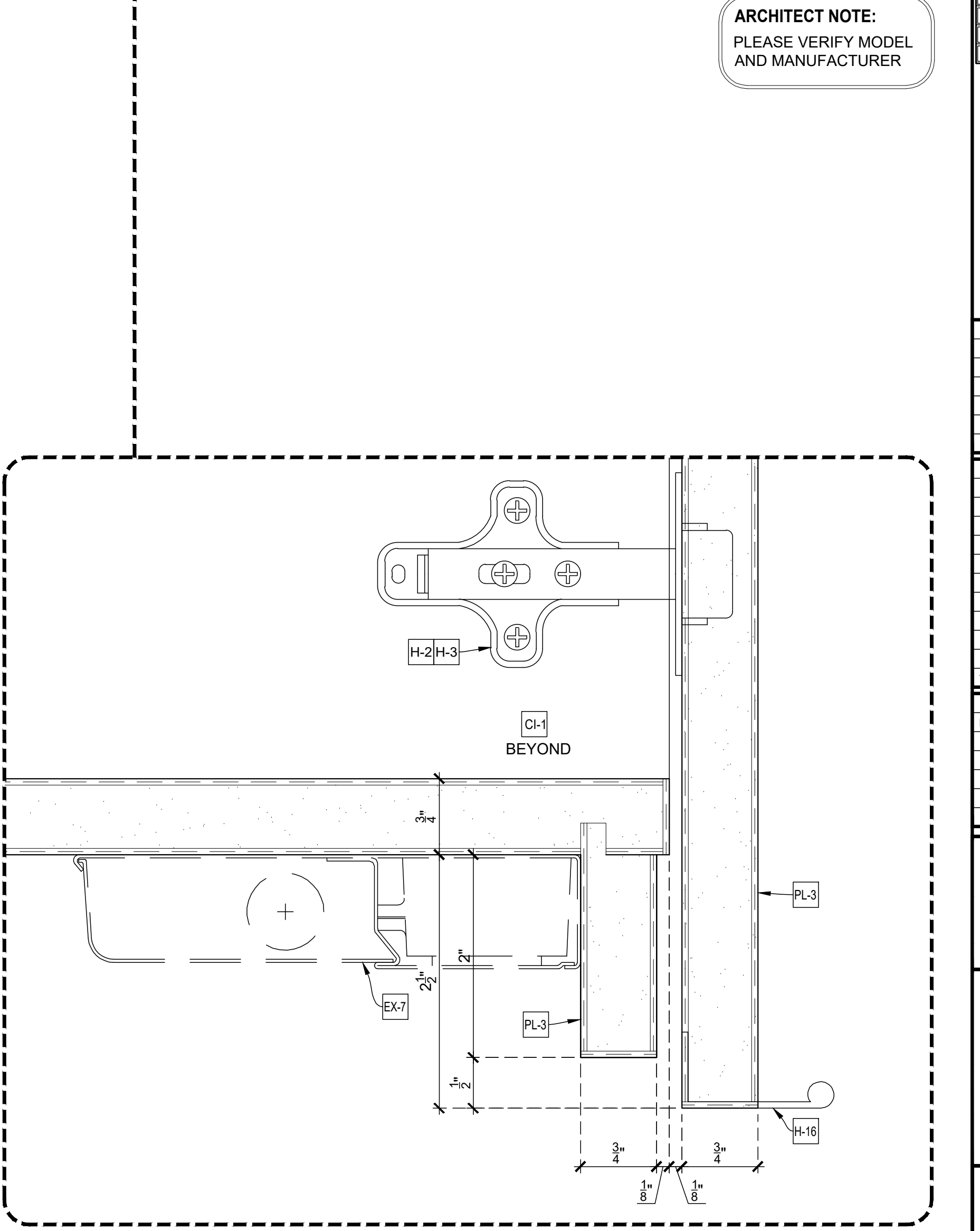
14.05 VERTICAL SECTION
SCALE: 1-1/2" = 1'-0"
Arch't Ref.: N/A



14.04 VERTICAL SECTION
SCALE: 1-1/2" = 1'-0"
Arch't Ref.: N/A



14.04 VERTICAL SECTION
SCALE: 1-1/2" = 1'-0"
Arch't Ref.: 13/A-502.00



Loose to field
Fixed in shop

APPLIANCE:

REF-1	GLASS FRONT REFRIGERATOR, TRUE #GDM-26-HC-TSL01, SS, STEEL
REF-2	GLASS FRONT REFRIGERATOR, SUMMIT #SCR450LB17HV, SS, STEEL
REF-3	UNDER-COUNTER REFRIGERATOR, SUMMIT #AL54IF
B2C	COFFEE MACHINE, DEJONG DUKE #NIO 20.3
CM	COFFEE BREWER, CURTIS #TP15T TWIN
CD	CUP DISPENSER, DISPENSE-RITE #ADJ-2
IM	COUNTER TOP ICE MAKER, HOSHIZAKI #DCM-270BAH
DW	DISHWASHER, ASKO #RF1604
SK	SINK AND FAUCET, EXISTING
VIV	WATER DISPENSER, VIVREAU #V3-205
TO	TOASTER, EXISTING
MW	MICROWAVE, GE #PE57227SLS, STAINLESS STEEL

EXCLUSIONS:

EX-4	SOLID SURF. (SS-2), CAESARSTONE COLOR #2003
EX-5	CERAMIC WALL TILE (CTW-1)
EX-6	WALL SLAB (ST-EX)
EX-7	LIGHT FIXTURE

DRAWING SUBMITTALS AND RETURNS

DATE	PURPOSE	TO	RETURN	RETURN STATUS

DRAWING REVISIONS

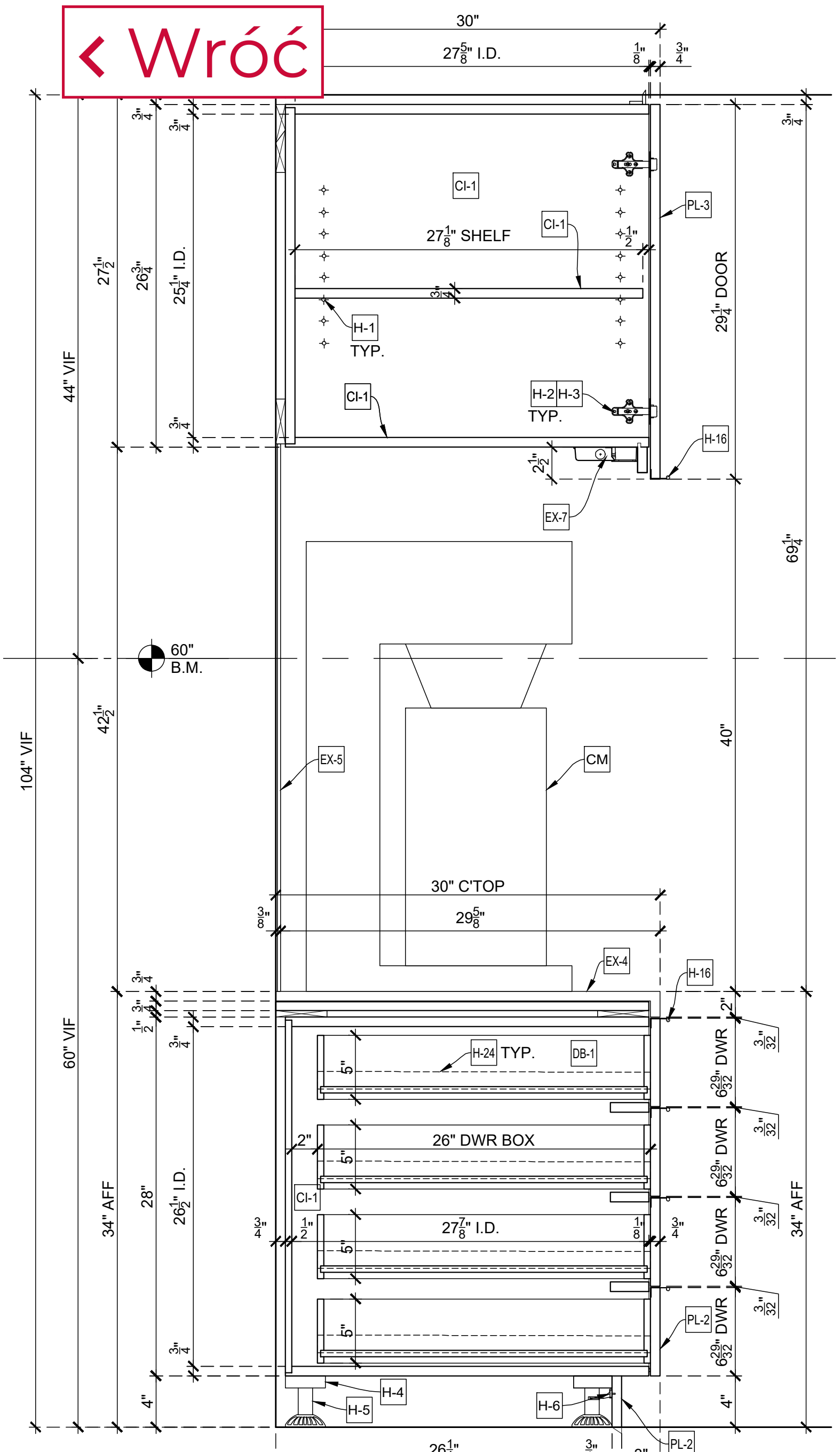
DATE	DESCRIPTION	REVISED BY	COMMENTS
1			
2			
3			
4			
5			
6			
7			
8			
9			
10			

RELEASES FOR FABRICATION

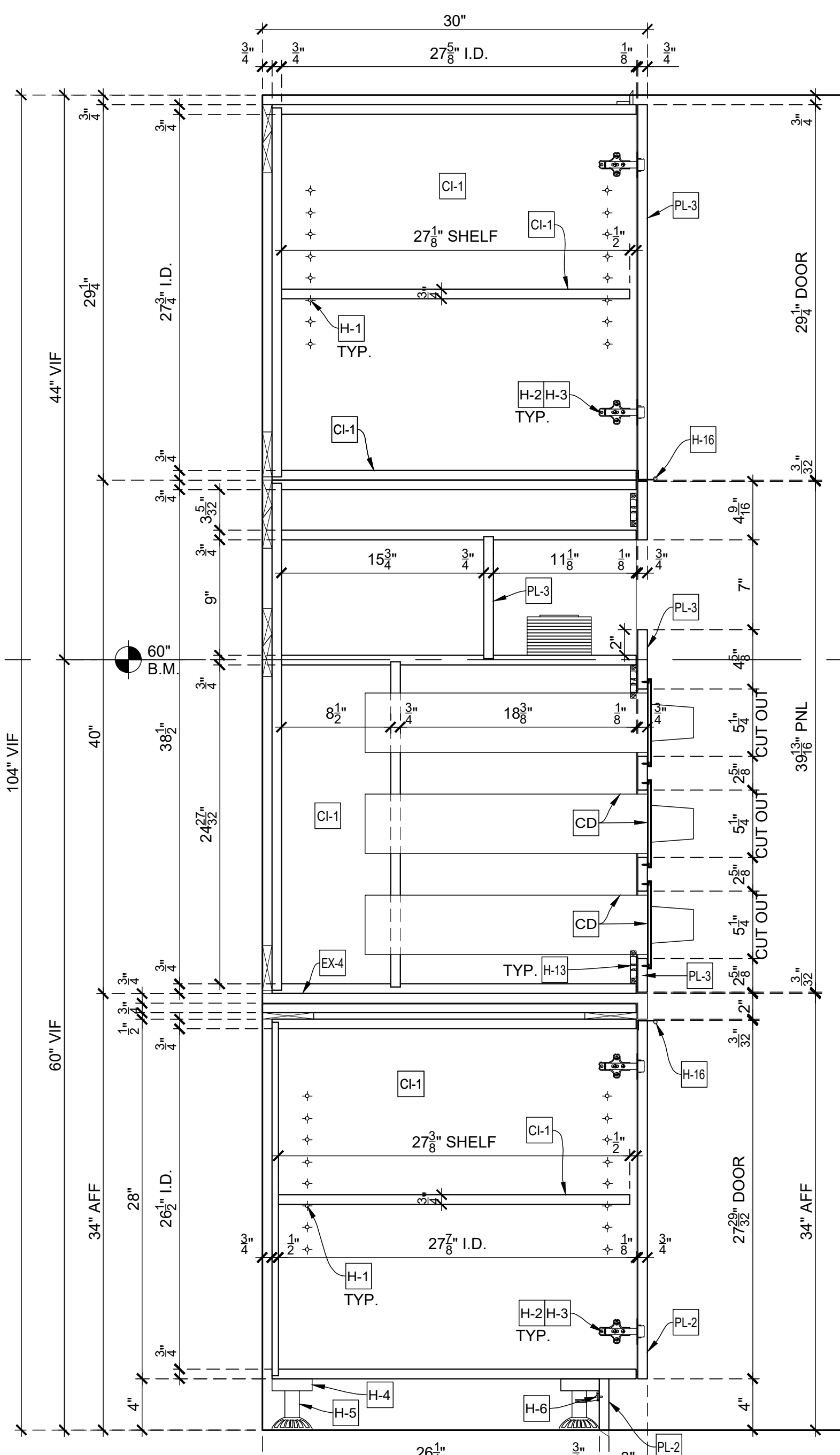
DATE	DESCRIPTION



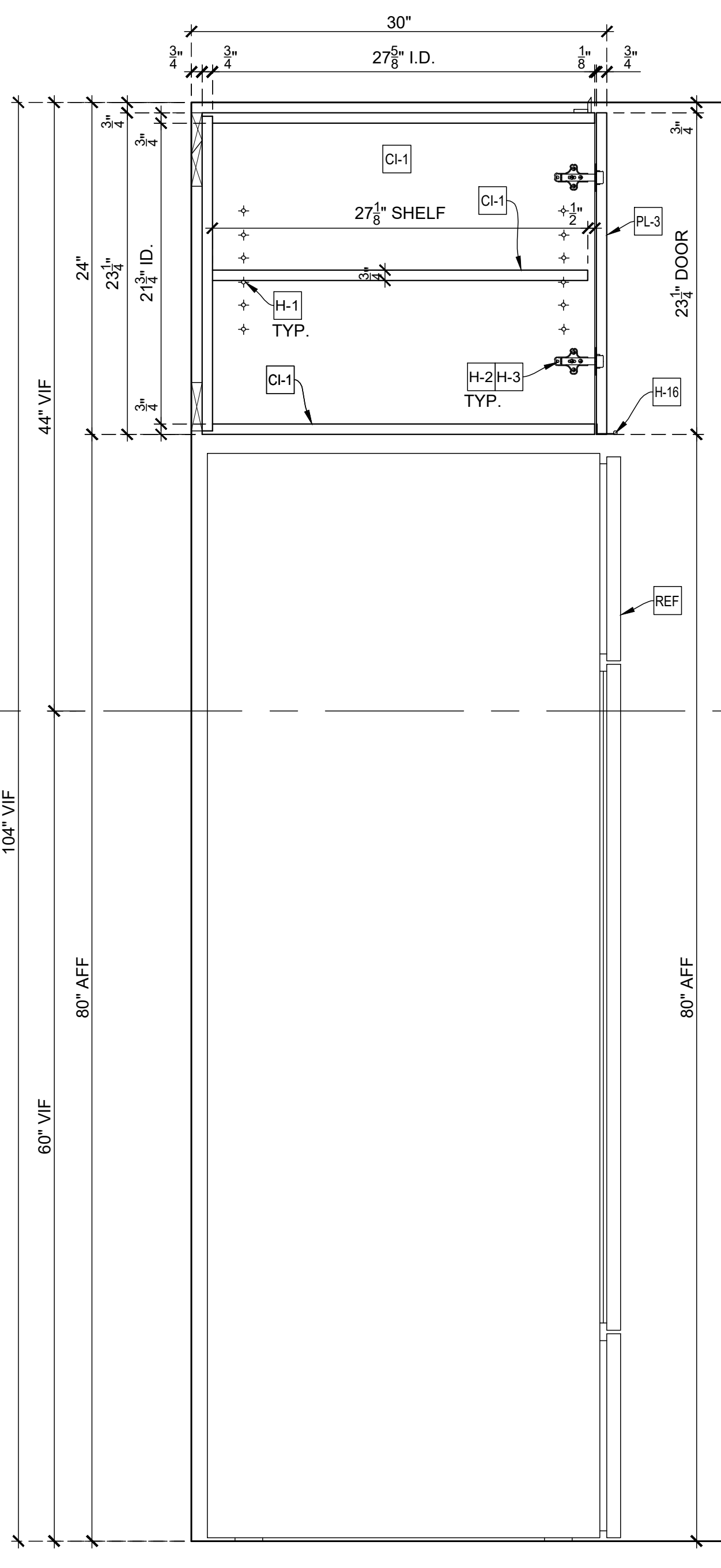
← Wróc



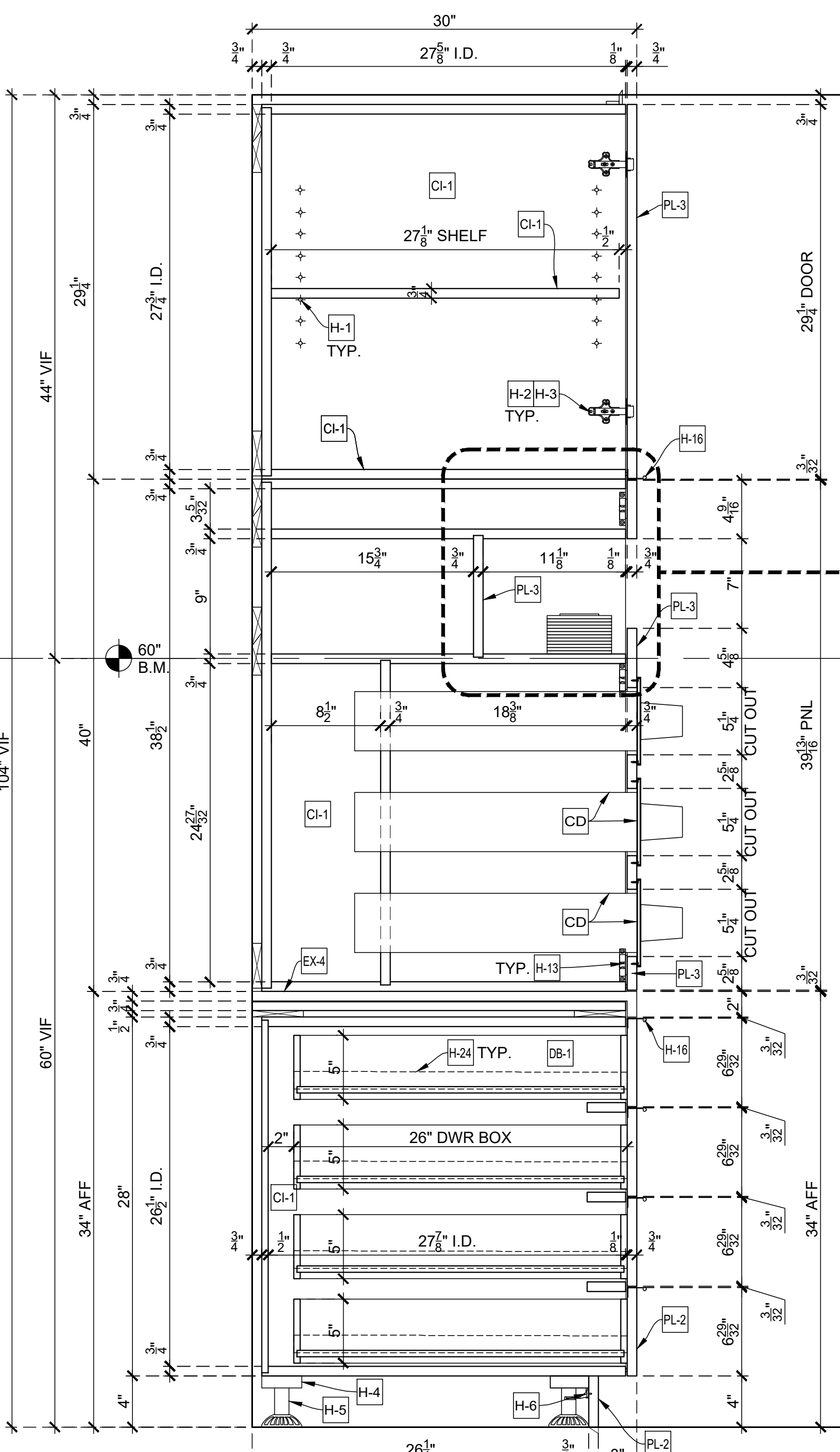
M VERTICAL SECTION
SCALE: 1-1/2" = 1'-0"
Arch'l Ref.: 11/A-502.00



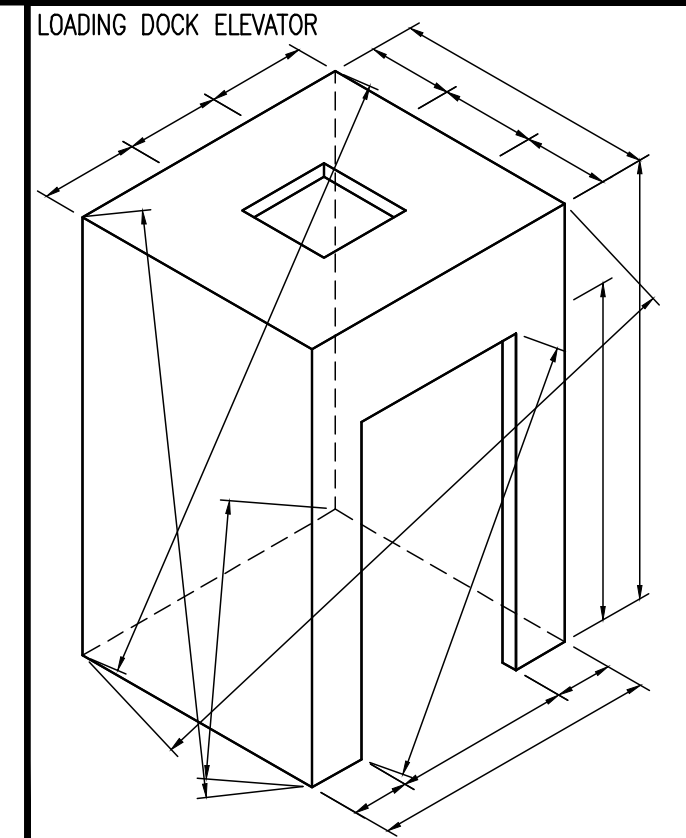
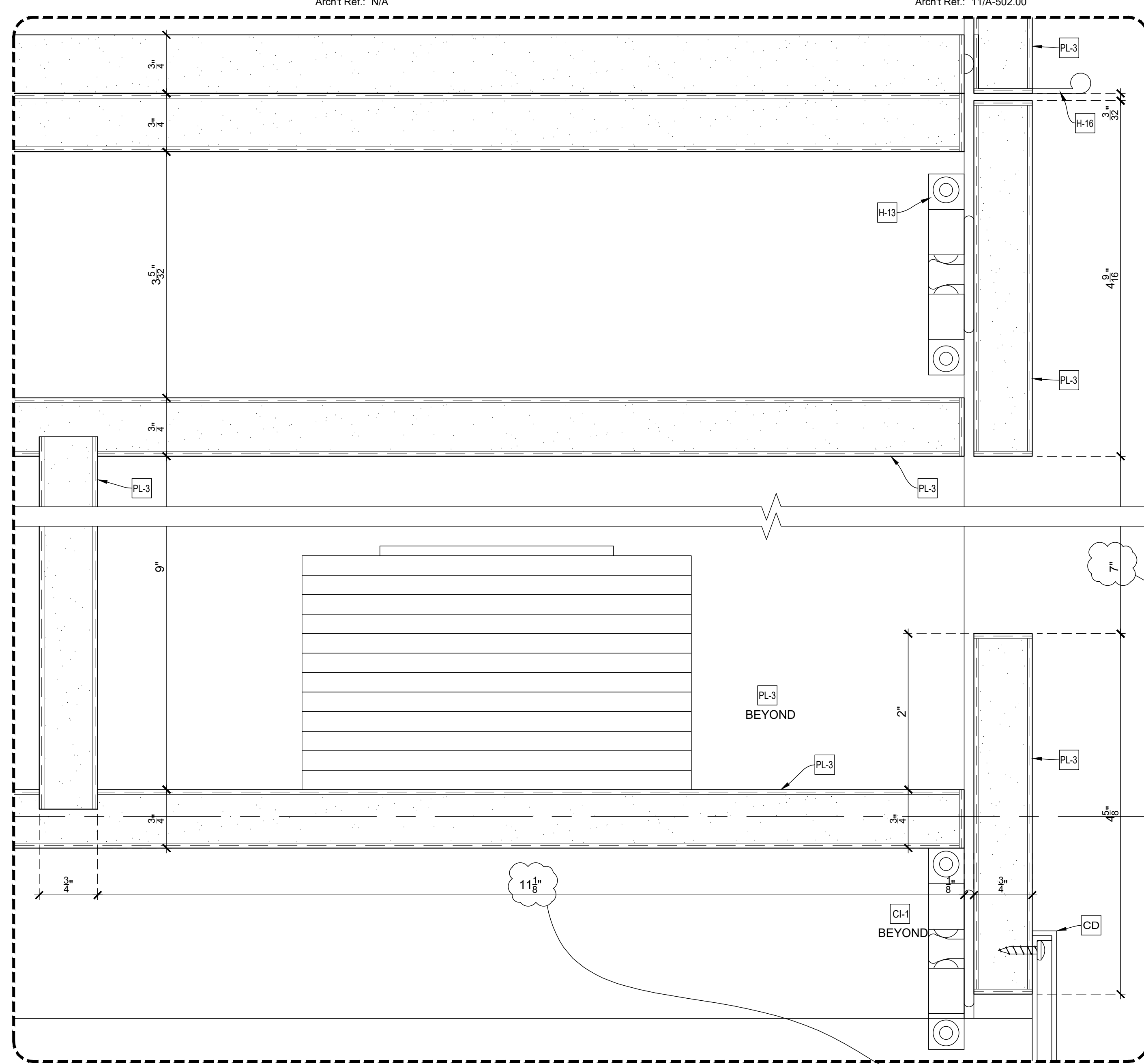
N VERTICAL SECTION
SCALE: 1-1/2" = 1'-0"
Arch'l Ref.: 11/A-502.00



P VERTICAL SECTION
SCALE: 1-1/2" = 1'-0"
Arch'l Ref.: N/A



Q VERTICAL SECTION
SCALE: 1-1/2" = 1'-0"
Arch'l Ref.: 11/A-502.00



Loose in field
Fixed in shop

SPACE
RESERVE
DUE

APPLIANCE:

REF	GLASS FRONT REFRIGERATOR, TRUE #GDM-26-HC-TSL01, SS, STEEL
REF-2	GLASS FRONT REFRIGERATOR, SUMMIT #SCR450LB17HV, SS, STEEL
REF-3	UNDER-COUNTER REFRIGERATOR, SUMMIT #AL54IF
B2C	COFFEE MACHINE, DEJONG DUKE #NIO 20.3
CM	COFFEE BREWER, CURTIS #TP15T
CD	CUP DISPENSER, DISPENSE-RITE #ADJ-2
IM	COUNTER TOP ICE MAKER, HOSHIZAKI #DCM-270BAH
DW	DISHWASHER, ASKO #RF1604
SK	SINK AND FAUCET, EXISTING
WV	WATER DISPENSER, VIVREAU #V3-205
TO	TOASTER, EXISTING
MW	MICROWAVE, GE #PE87227SLSS, STAINLESS STEEL

EXCLUSIONS:

EX-4	SOLID SURF. (SS-2), CAESARSTONE COLOR #2003
EX-5	CERAMIC WALL TILE (CTW-1)
EX-6	WALL SLAB (ST-EX)
EX-7	LIGHT FIXTURE

DRAWING SUBMITTALS AND RETURNS

DATE	PURPOSE	TO	RETURN	RETURN STATUS

DRAWING REVISIONS

DATE	DESCRIPTION	REVISED BY	COMMENTS
1			
2			
3			
4			
5			
6			
7			
8			
9			
10			

RELEASES FOR FABRICATION

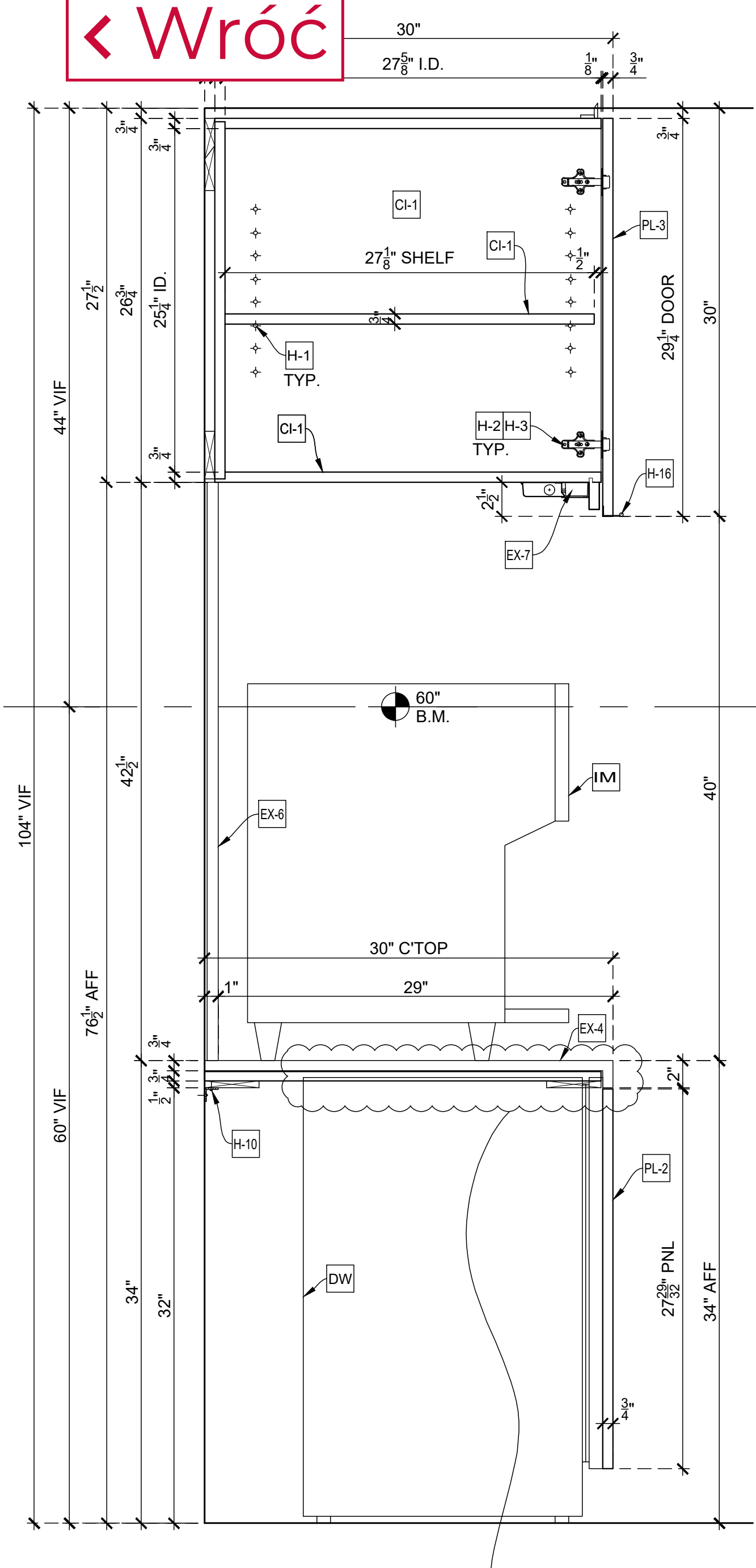
DATE	DESCRIPTION

TITLE:
ITEM NO:
DESC.: SECTIONS, DETAIL
DESC.: PANTRY 4287

By: PD Scale: As Noted Job No. Dwg. No.
Status: In Submittal Review Date: 2019-04-17 **14-05**

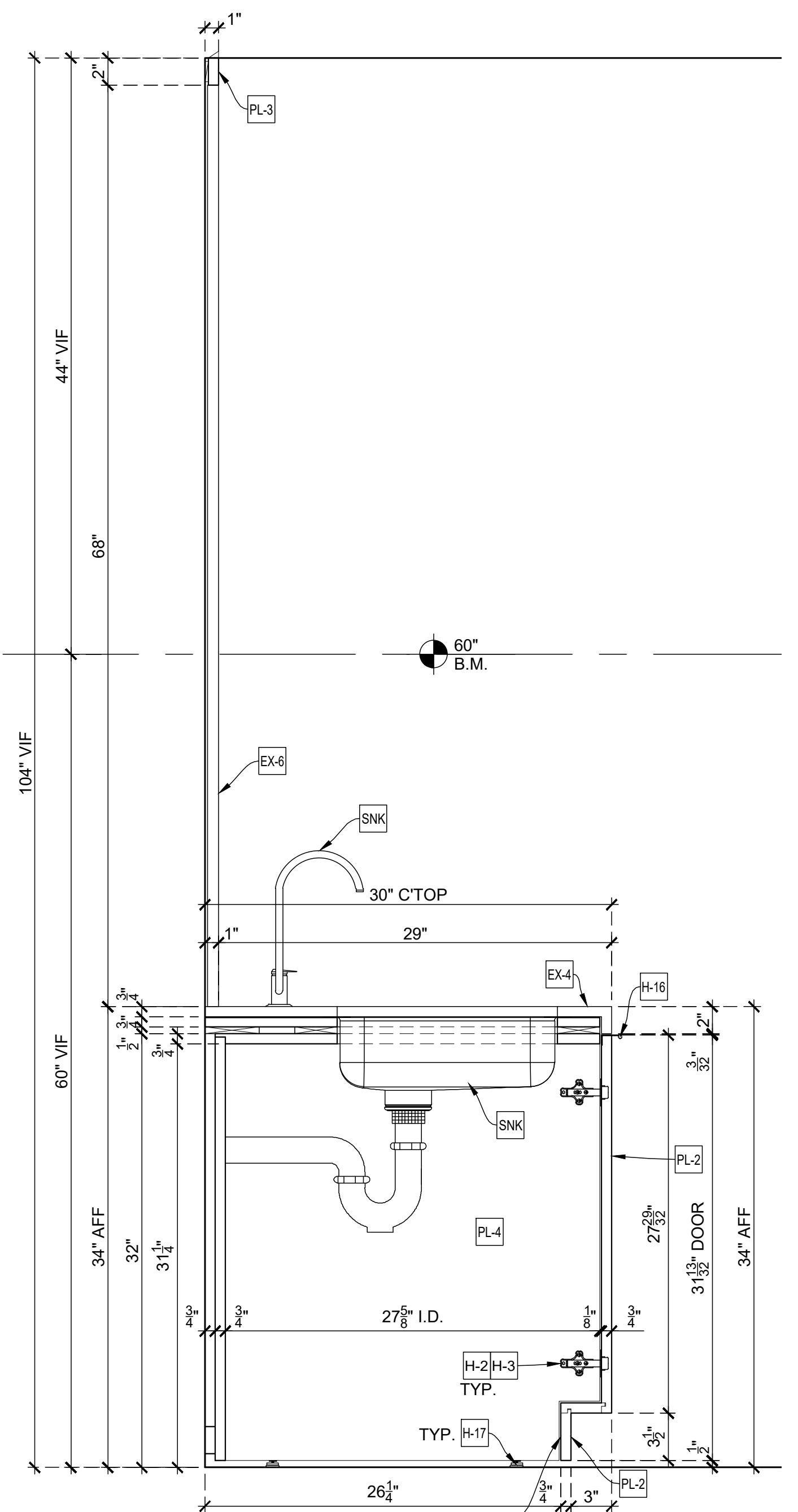


← Wróc



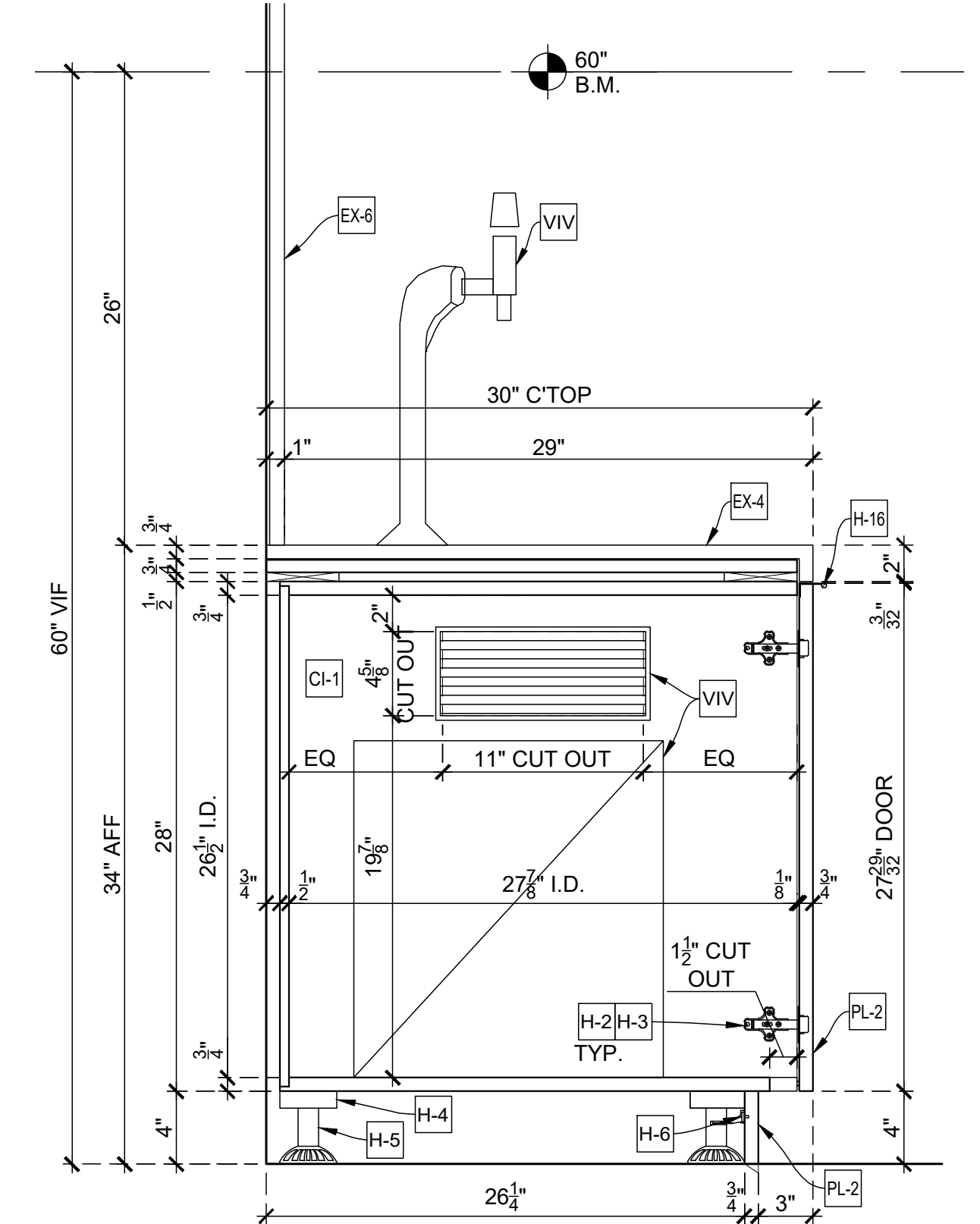
FR
VERTICAL SECTION
SCALE: 1-1/2" = 1'-0"
Arch'l Ref.: 2, 13A-502.00

ARCHITECT NOTE:
THERE IS NO ROOM FOR DW.
PLEASE PROVIDE SOLUTION

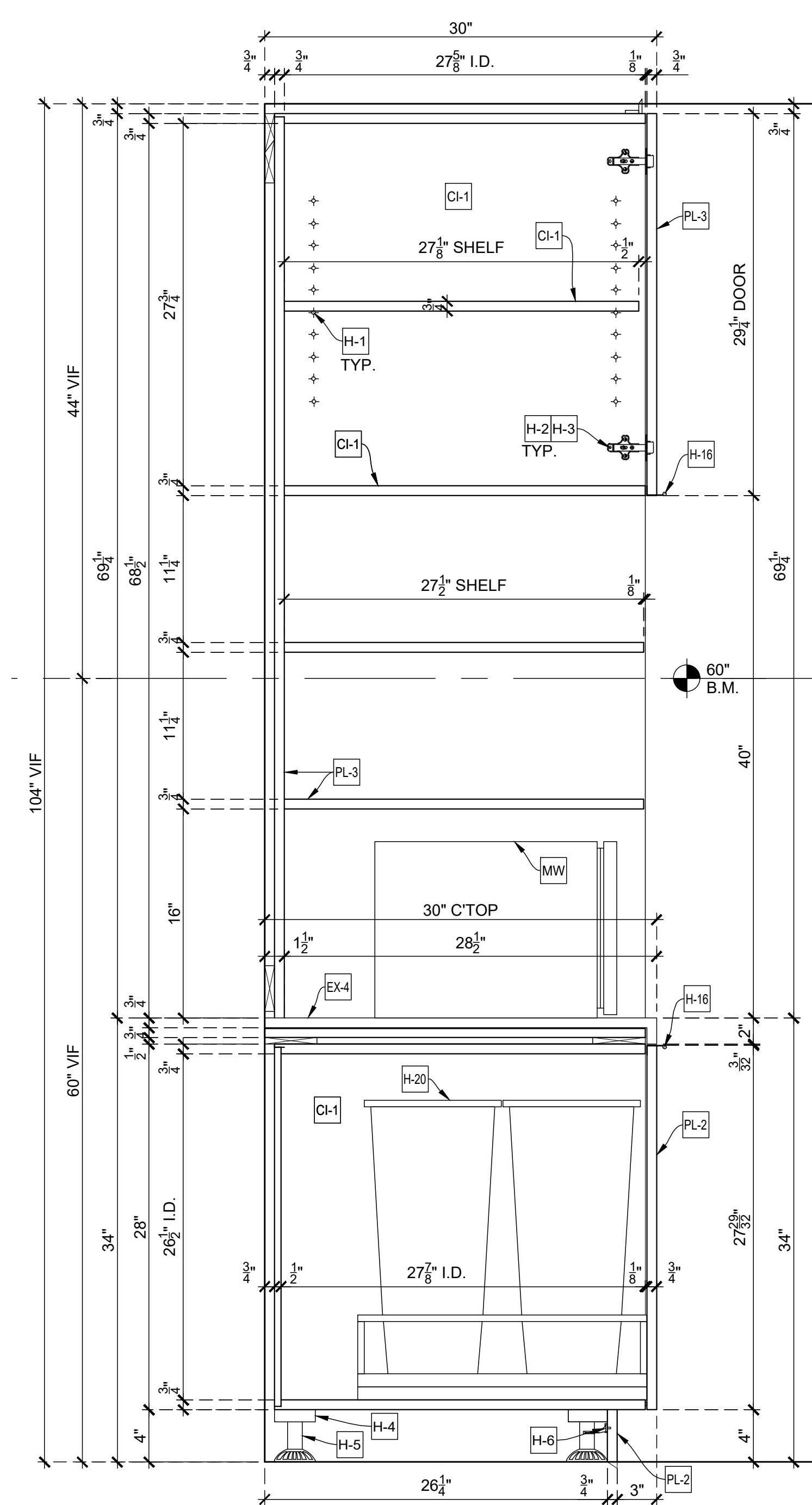


FS
VERTICAL SECTION
SCALE: 1-1/2" = 1'-0"
Arch'l Ref.: 6A-502.00

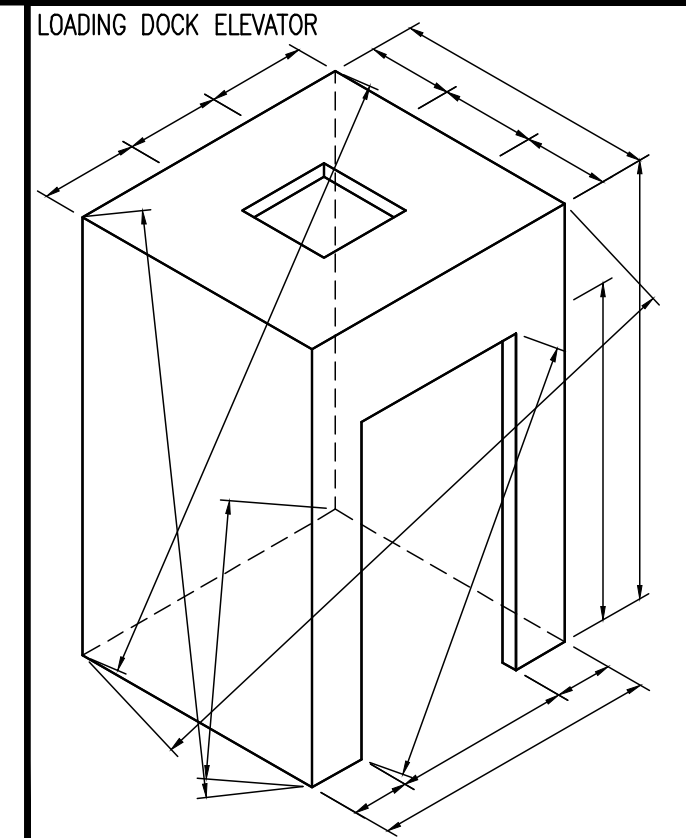
NOTCH SIDES TO
ACCEPT STEPPED
DOOR / BASE



TS
VERTICAL SECTION
SCALE: 1-1/2" = 1'-0"
Arch'l Ref.: 6A-502.00



LS
VERTICAL SECTION
SCALE: 1-1/2" = 1'-0"
Arch'l Ref.: N/A



Loose to field
Fixed in shop

THIS SPACE
RESERVE
FOR FINISH
MODULE

APPLIANCE:

REF-1	GLASS FRONT REFRIGERATOR, TRUE #GDM-26-HC-TSL01, SS, STEEL
REF-2	GLASS FRONT REFRIGERATOR, SUMMIT #SCR450LB17HV, SS, STEEL
REF-3	UNDER-COUNTER REFRIGERATOR, SUMMIT #AL54IF
B2C	COFFEE MACHINE, DE'JONG DUKE #NIO 20.3
CM	COFFEE BREWER, CURTIS #TP15T TWIN
CD	CUP DISPENSER, DISPENSE-RITE #ADJ-2
IM	COUNTER TOP ICE MAKER, HOSHIZAKI #DCM-270BAH
DW	DISHWASHER, ASKO #RF1604
SNK	SINK AND FAUCET, EXISTING
VIV	WATER DISPENSER, VIVREAU #V3-205
TO	TOASTER, EXISTING
MW	MICROWAVE, GE #PEST227SLSS, STAINLESS STEEL

EXCLUSIONS:

EX-4	SOLID SURF. (SS-2), CAESARSTONE COLOR #2003
EX-5	CERAMIC WALL TILE (CTW-1)
EX-6	WALL SLAB (ST-EX)
EX-7	LIGHT FIXTURE

DRAWING SUBMITTALS AND RETURNS

DATE	PURPOSE	TO	RETURN	RETURN STATUS

DRAWING REVISIONS

DATE	DESCRIPTION	REVISED BY	COMMENTS
1			
2			
3			
4			
5			
6			
7			
8			
9			
10			

RELEASES FOR FABRICATION

DATE	DESCRIPTION

TITLE:
ITEM NO:
DESC.: SECTIONS
DESC.: PANTRY 4287

By: PD Scale: As Noted Job No. Dwg. No.
Status: In Submittal Review Date: 2019-04-17 14-06



