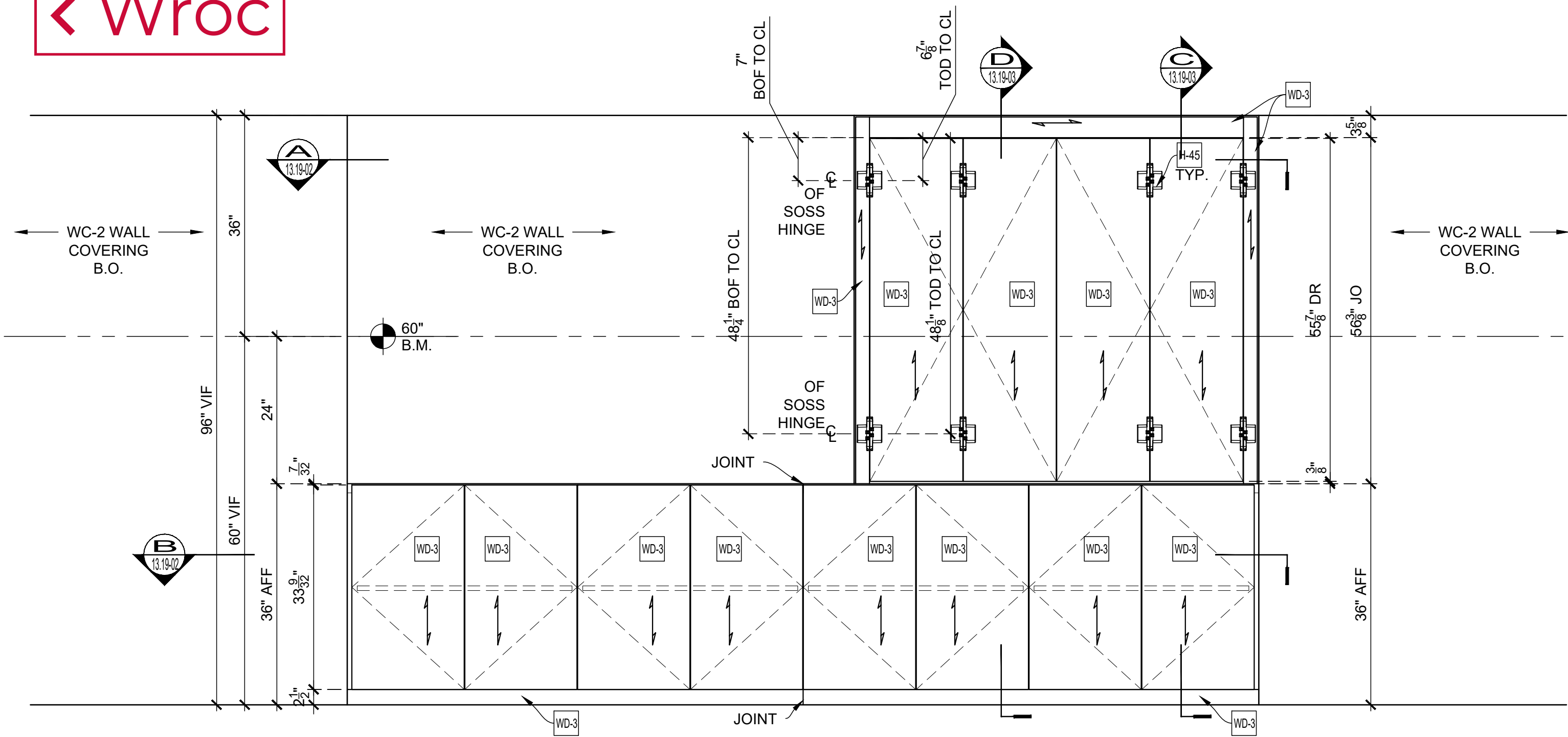
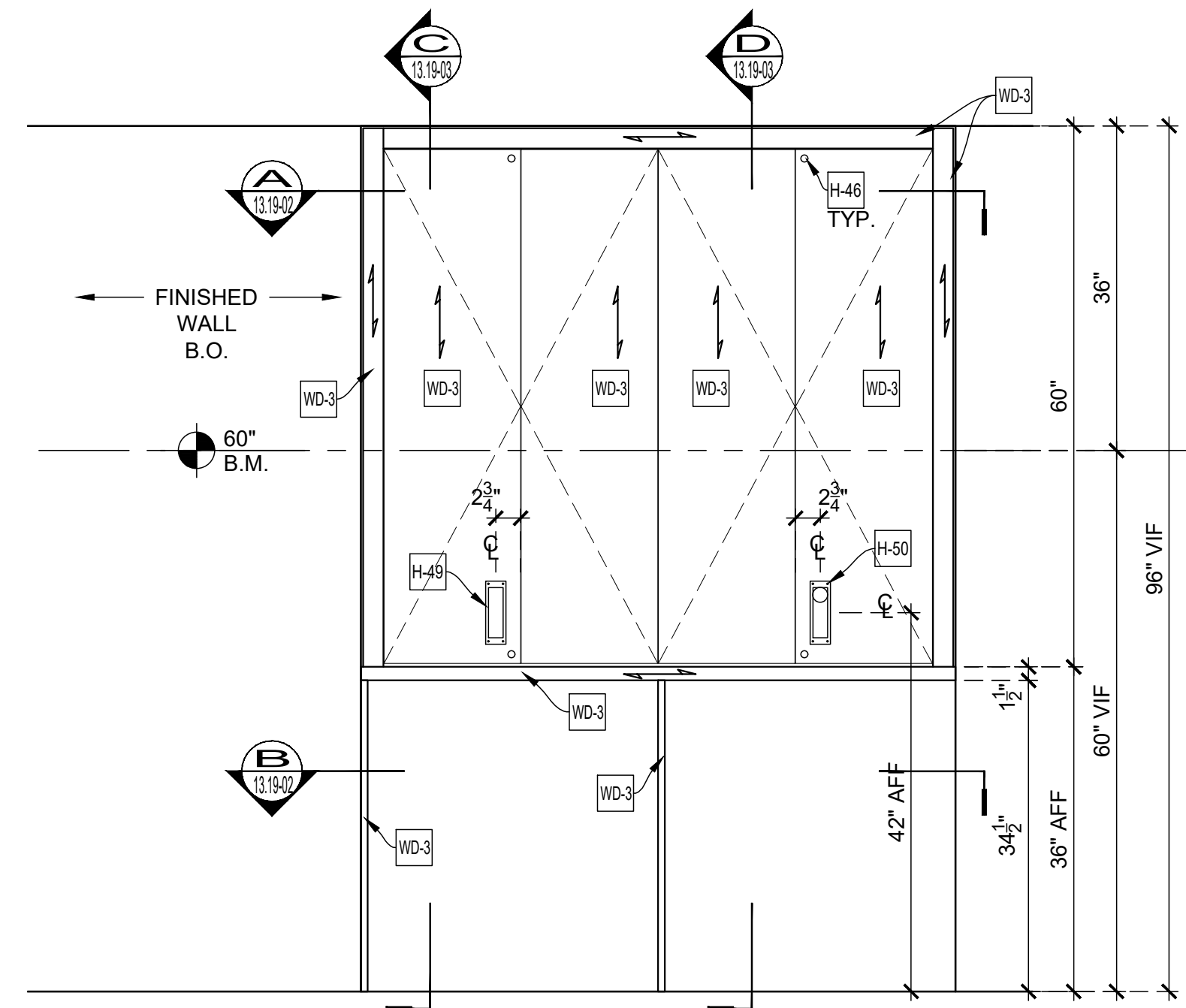


← Wróć



**O1**  
ELEVATION  
SCALE: 3/4" = 1'-0"  
Arch'l Ref.: 1/A-205.00

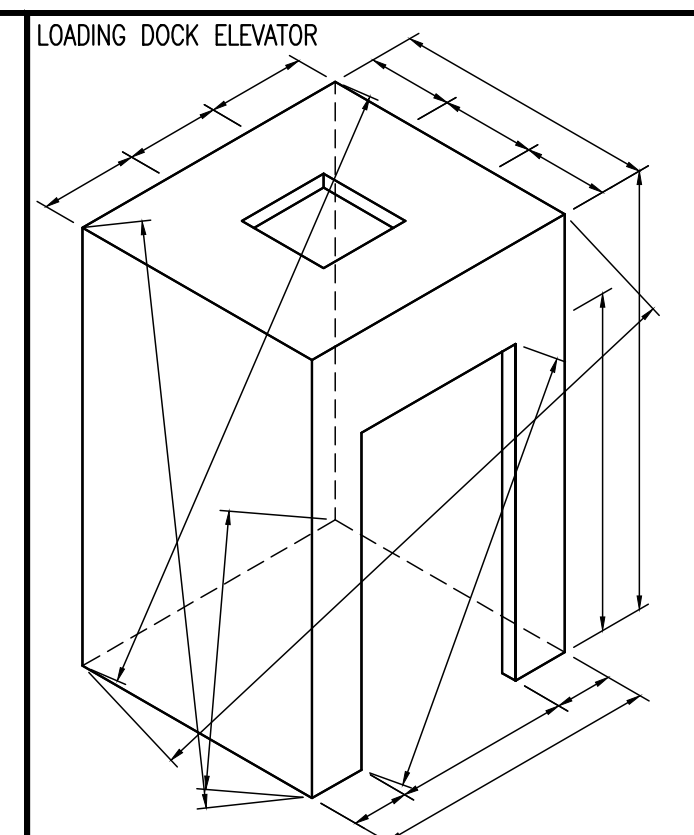


**O2**  
ELEVATION  
SCALE: 3/4" = 1'-0"  
Arch'l Ref.: NONE

**ARCHITECT NOTE:**  
PLEASE VERIFY ALL WOOD  
GRAIN DIRECTIONS

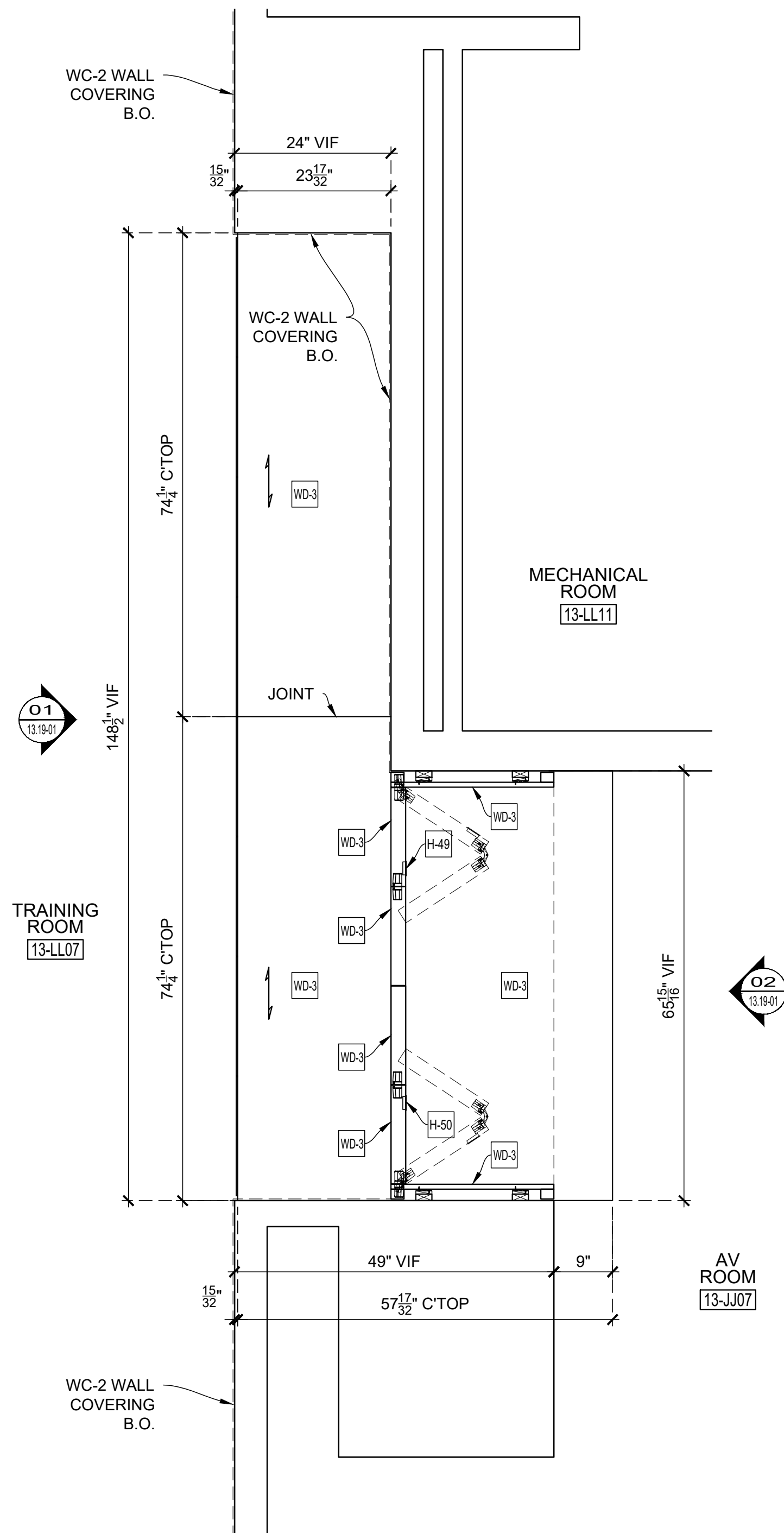
**ARCHITECT NOTE:**  
PLEASE CONFIRM PULL  
FINISH.

**ARCHITECT NOTE:**  
PLEASE VERIFY LOCATION  
OF PULLS.

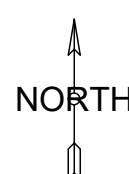


Loose to field  
Fixed in shop

THIS SPACE  
RESERVED  
FOR FINISH  
SCHEDULE



**O1**  
PLAN  
SCALE: 3/4" = 1'-0"  
Arch'l Ref.: A-109.00, 4/A-506.00



THIS SPACE  
RESERVED  
FOR  
GENERAL  
NOTES

THIS SPACE  
RESERVED  
FOR  
HARDWARE  
SCHEDULE

DRAWING SUBMITTALS AND RETURNS				
DATE	PURPOSE	TO	RETURN	RETURN STATUS

DRAWING REVISIONS			
DATE	DESCRIPTION	REVISED BY	COMMENTS
1			
2			
3			
4			
5			
6			
7			
8			
9			
10			

RELEASES FOR FABRICATION	
DATE	DESCRIPTION

TITLE:  
ITEM NO:  
DESC.: ELEVATIONS, PLAN  
DESC.: TRAINING ROOM 13-LLO7, AV ROOM 13-JJ07

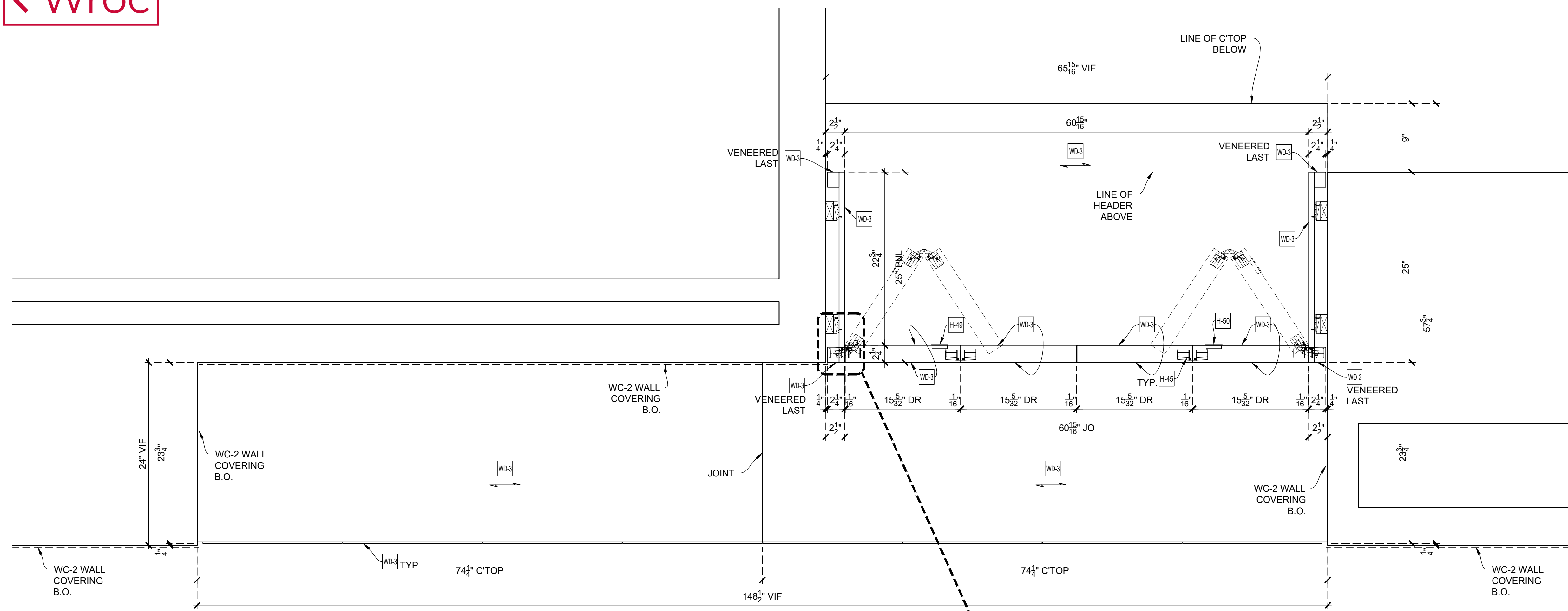
By: PD Scale: As Noted Job No. Dwg. No.

Status: In Submittal Review Date: 2019-03-20 13.19-01

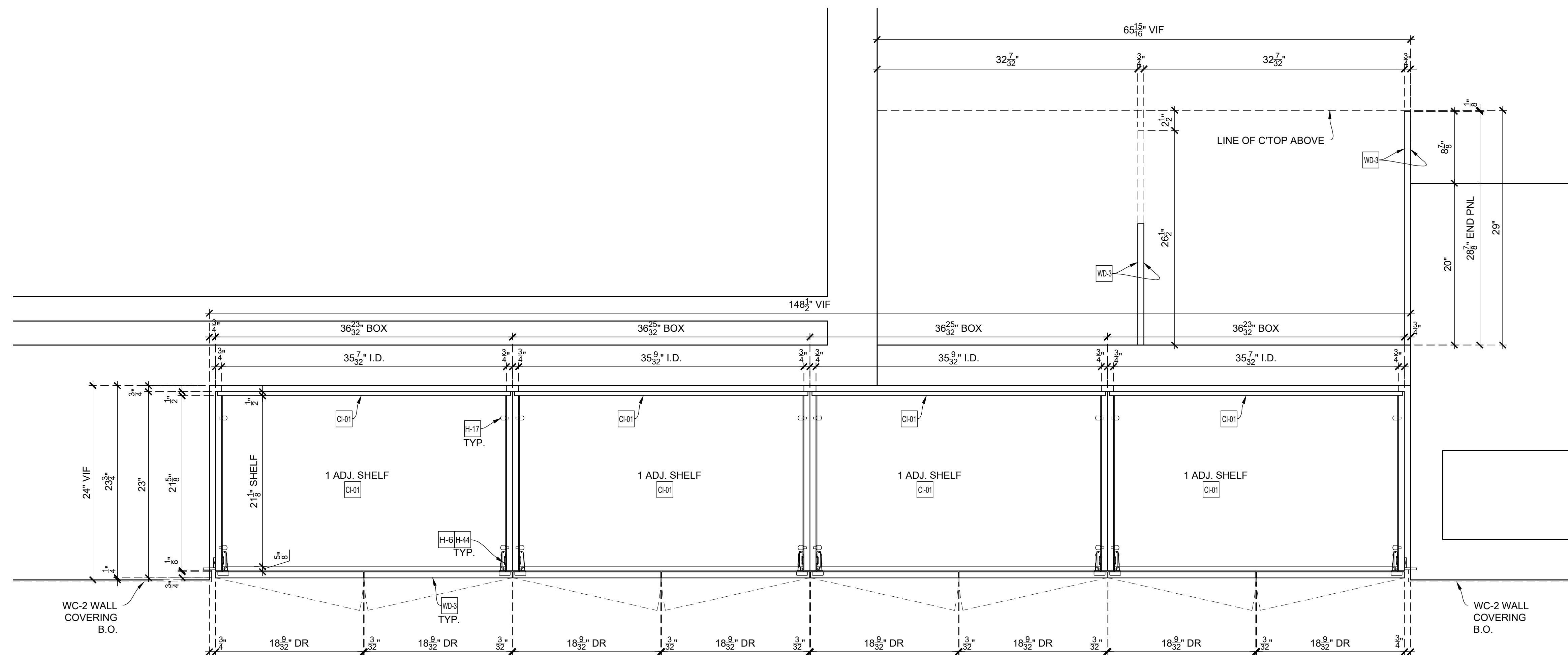


Printed with B2i User-Login

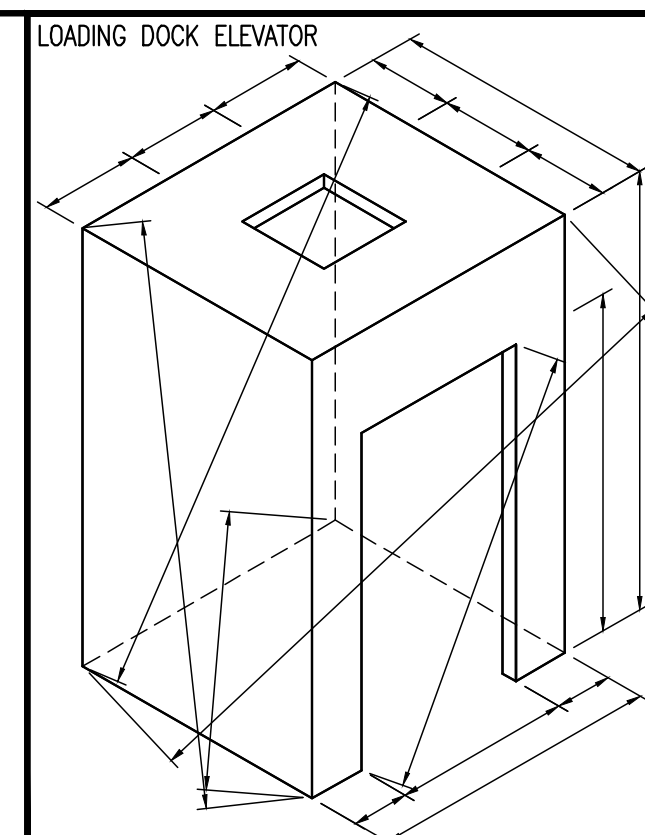
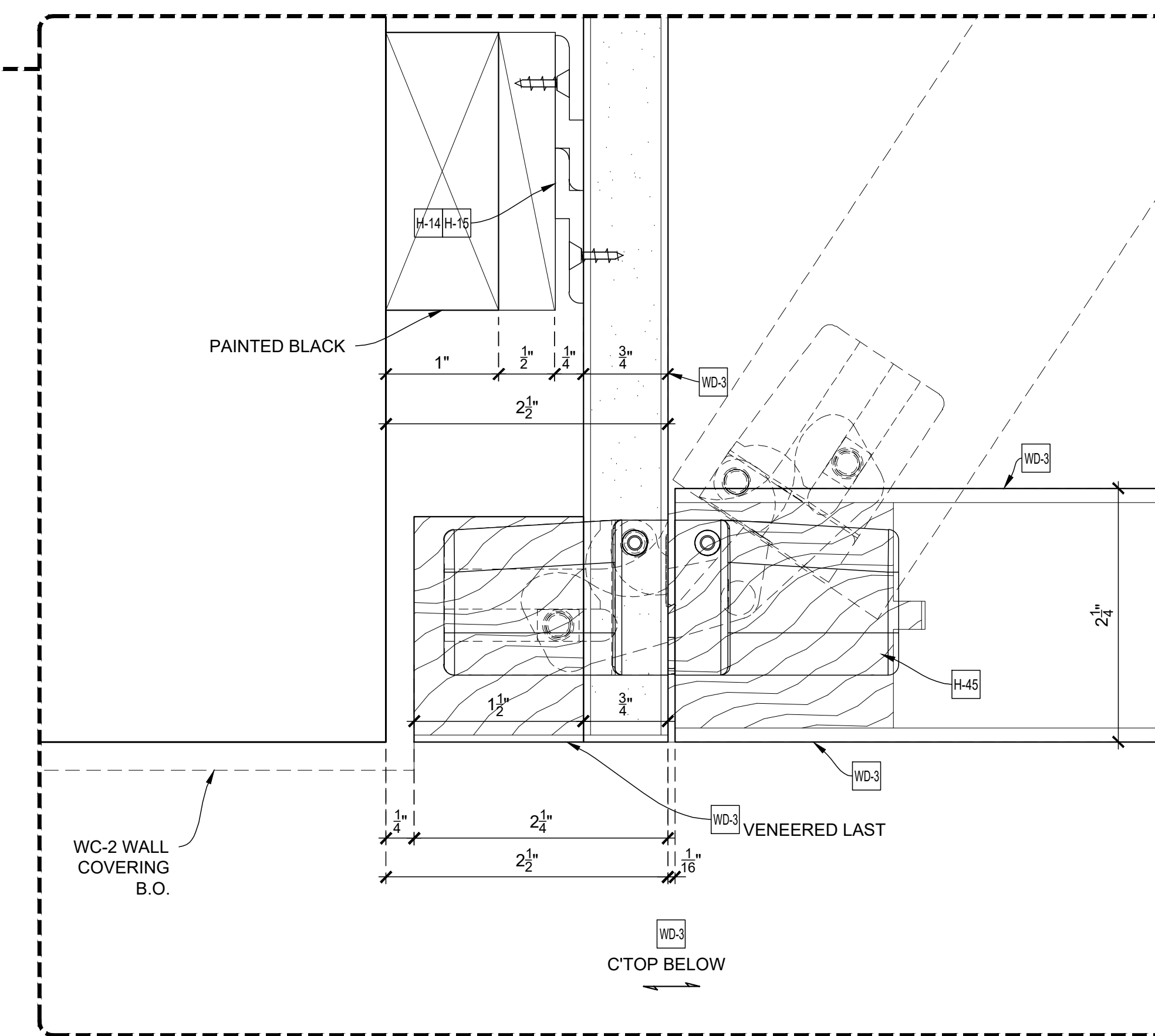
← Wróć



PLAN SECTION  
SCALE: 1-1/2" = 1'-0"  
Arch'l Ref.: 4/A-506.00



PLAN SECTION  
SCALE: 1-1/2" = 1'-0"  
Arch'l Ref.: NONE



LOADING DOCK ELEVATOR  
 ☒ Loose to field  
 ☒ Fixed in shop

THIS SPACE  
RESERVED  
FOR FINISH  
SCHEDULE

DRAWING SUBMITTALS AND RETURNS				
DATE	PURPOSE	TO	RETURN	RETURN STATUS

DRAWING REVISIONS				
DATE	DESCRIPTION	REVISED BY	COMMENTS	
1				
2				
3				
4				
5				
6				
7				
8				
9				
10				

RELEASES FOR FABRICATION	
DATE	DESCRIPTION

TITLE:  
ITEM NO:  
DESC: SECTIONS, DETAIL  
DESC: TRAINING ROOM 13-LL07, AV ROOM 13-J08

By: PD Scale: As Noted Job No. Dwg. No.  
Status: In Submittal Review Date: 2019-03-20 13.19-02







