

< Wróć

H35	BENDHEIM GLASS 3/16" THK. TEXTURED AVRO 166 FLUTED (GL-02)
H54	1/8" DIAM. BOTTLERAIL BRASS (MT-02)
H59	BACKBAR METAL FRAME (MT-02) TYPE 1
H60	BACKBAR METAL FRAME (MT-02) TYPE 2
H61	1/2" X 1/2" X 1/8" SATIN BRASS ANGLE (MT-02)
H63	1/2" X 1/2" L TRIM (MT-02)
H65	1" DIA SUPPORT (MT-02)

WOOD SPECIES	
WD-01	ARCH PROVIDE CONTROL SAMPLE FOR SPECIES / FIN MATCH
WD-02	ARCH PROVIDE CONTROL SAMPLE FOR SPECIES / FIN MATCH
WD-03	ARCH PROVIDE CONTROL SAMPLE FOR SPECIES / FIN MATCH
WD-4	
WD-5	
WD-6	
WD-7	1/4", 1/2", 3/4" MELAMINE BLACK
WD-8	1/4", 1/2", 3/4" MELAMINE WHITE
WD-9	
WD-10	SOLID WALNUT
WD-11	SOLID POPLAR
WD-12	SOLID ACCOVA (S.T.M. PT-06 CUSTOM RUSTY RED STAIN)
WD-13	3/4" CABINET GRADE BIRCH PLYWOOD
WD-14	1/2" PLYWOOD (BLOCKING, CLEATS, ETC.)
WD-15	3/4" (4 X 8) STOCK PLYWOOD (MOIST. RESIST)

PLASTIC LAMINATE	
PL-1	WILSONART #1591K-01 BLACK (HIGH GLOSS)
PL-2	
PL-3	
PL-4	
PL-5	
PL-6	

FINISH	
F-1	PER APPROVED SAMPLE
F-2	PER APPROVED SAMPLE
F-3	PRIME PAINT
F-4	CLEAR LACQUER
F-5	BLACK PAINT

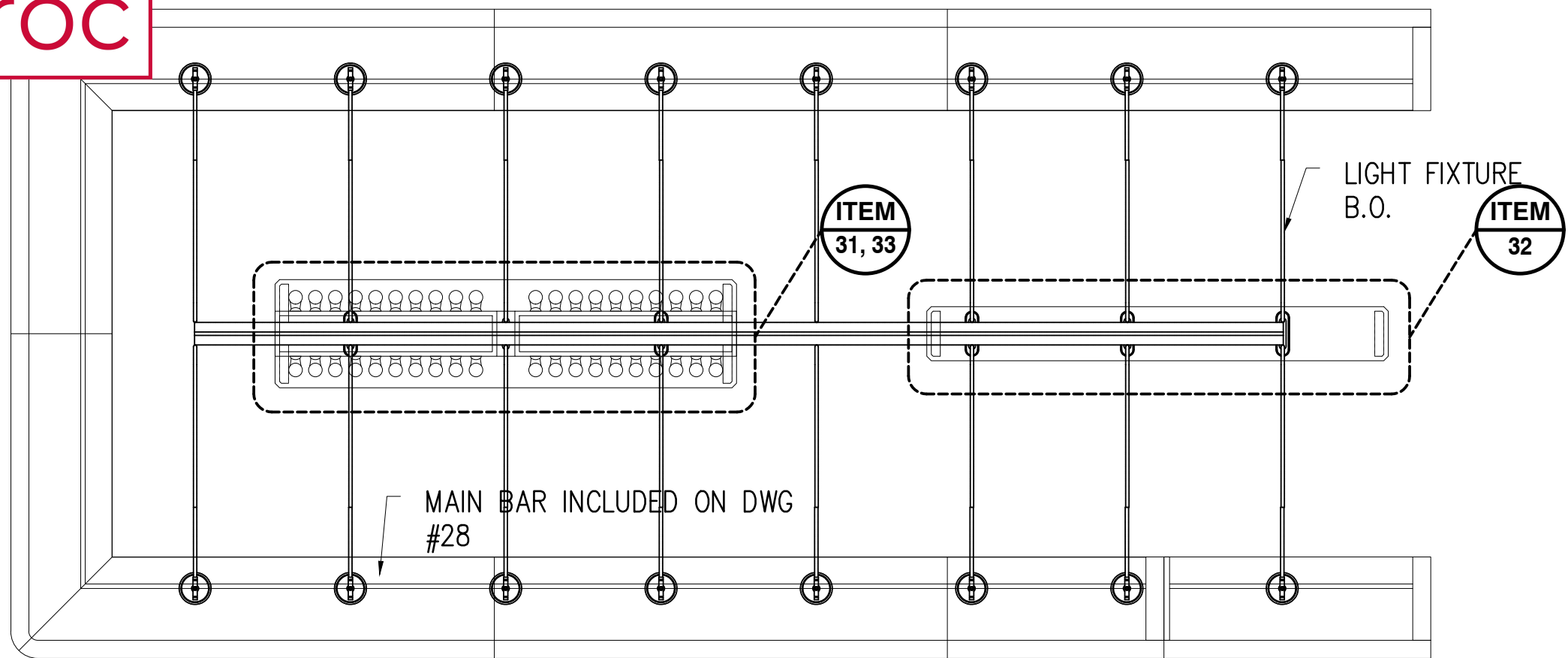
STANDARD HARDWARE	
H-1	BLUM HINGE 120-OVERLAY-73T5580/ PLATE 174HT10
H-2	ACCURIDE DRAWER SLIDE - SLIDE-DR-ACC1832-20/16
H-3	3 SHELF PINS - CLIP-332-ANO
H-4	ALUM ANGLE 1 1/4" X 1 1/4" ANGLE-314-0
H-5	4" WIRE PULL - PULL-MC402-4-DC
H-6	IVES ELBOW CATCH - 1225-0176
H-7	TIMBERLINE LOCKS - TIMB-CB-241,TIMB-CB-100,TIMB-LP-100
H-8	TOUCH LATCH - MLATCH
H-9	MAGNETIC CATCH - 12250174
H-10	C TOP JOINT FASTENER - JOINT-FASTENER
H-11	SCREW W/ FIB WASHER
H-12	T-NUTS 1/4 X 2.0 - NUT-T-20-7/16
H-13	Z-CLIP - PANEL-CLIP-3 (UNIT OF MEASURE IS LF)
H-14	Z-CLIP - PANEL-CLIP-3 (UNIT OF MEASURE IS EACH)
H-15	GROMMETS - GROMMET-BL-2
H-16	1 1/2" X 1 1/2" ALUMIN ANGLE
H-17	STANDARD - K.V. #87 ANO - 84" LONG
H-18	BRACKET - K.V. #187 ANO - 12" / CLIP - K.V. #211 ANO
H-19	FLANGE - K.V. #764 CHR (CHROME LOOK) FLANGE #764-CHR

PART RENTAL ID (PRID)	
H-20	HANGROD 1 1/2" DIA (CHROME LOOK) HANGROD-CHROM
H-21	PENDAFLEX CLIPS DRAWER-TOP-MOUNT-CLIP
H-22	PENDAFLEX FILE BAR DRAWER-FILEBAR
H-23	1/2" X 1/4" X 1/2" X 3/32" ANGLE #12250020 W/ PANEL-CLIP-3
H-24	TOB-KICK-4-36 PLASTIC INTERIOR TOB KICK - 3" SET BACK
H-25	NO DRILLING BONDING FASTENERS FOR SINK SINK-FASTENR
H-26	Z-SHAPED METAL CLIP FOR SINK SINK-CLIP
H-27	WINONUT FOR SINK FASTENER SINK-WINGNUT
H-28	KEEP NUT 1/4-20 (FOR SOLID SURFACE) KEEPNT-2S-1/4
H-29	KEEP NUT 1/4-20 KIT (FOR SOLID SURFACE) KEEPNT-1/4-KIT
H-30	
H-31	
H-32	
H-33	
H-34	

THE DETAILS, DESIGN AND PLANS ON THIS DRAWING ARE THE PROPERTY OF PARS INCORPORATED FOR THE SPECIFIC PROJECTS INDICATED AND MAY NOT BE USED FOR ANY PURPOSE BY ANY OTHER PERSON OR FIRM WITHOUT WRITTEN PERMISSION FROM PARS INCORPORATED.
WRITTEN DIMENSIONS SHALL HAVE PRECEDENCE OVER SCALED DIMENSIONS IN ALL CASES, AND CONTRACTORS SHALL BE RESPONSIBLE FOR VERIFYING SUCH DIMENSIONS. CONTRACTORS SHALL ALSO BE RESPONSIBLE FOR NOTIFYING PARS INCORPORATED OF ANY VARIATIONS IN DIMENSIONS OR JOB CONDITIONS FROM THOSE SHOWN ON THIS DRAWING.

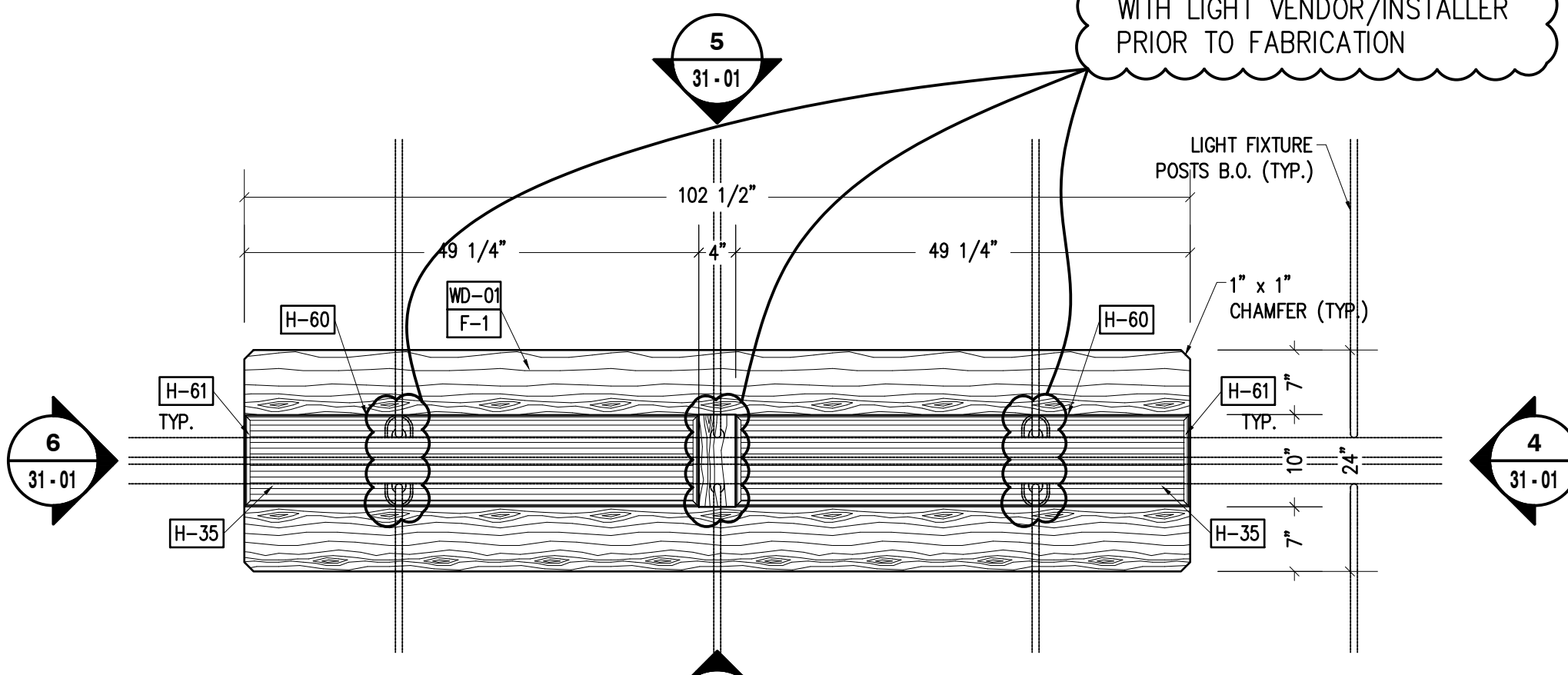
ISSUE	DATE	ISSUE NOTES
1	11/03/17	Issued for Approval By JEFF S

REV	DATE	REVISION NOTES



1 Partial Key Plan
Scale: 1/4" = 1'-0"
ITEM #31, 32, 33

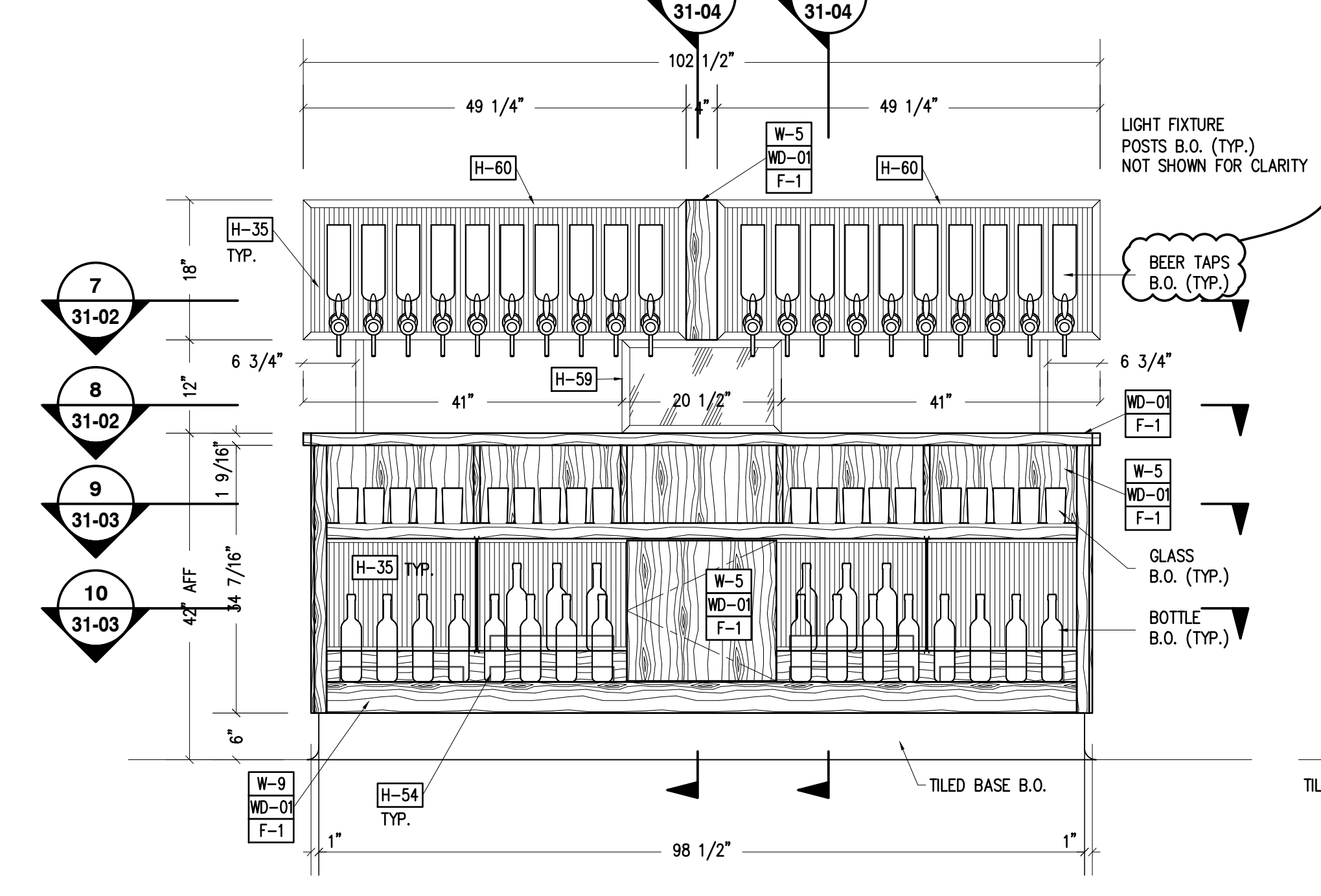
CUT OUTS FOR POSTS TO BE COORDINATED WITH LIGHT VENDOR/INSTALLER PRIOR TO FABRICATION



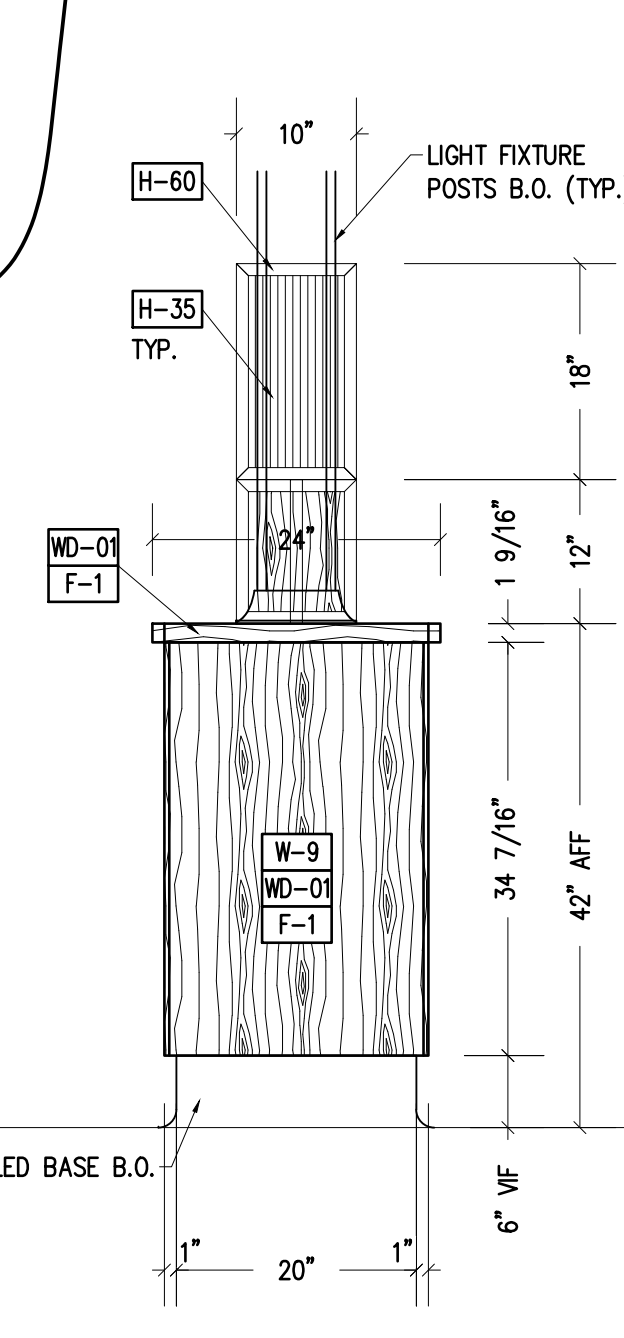
NOTE TO ARCHITECT: PLEASE VERIFY ALL GRAIN DIRECTIONS

2 Plan View
Scale: 3/4" = 1'-0"
ITEM #31, 33

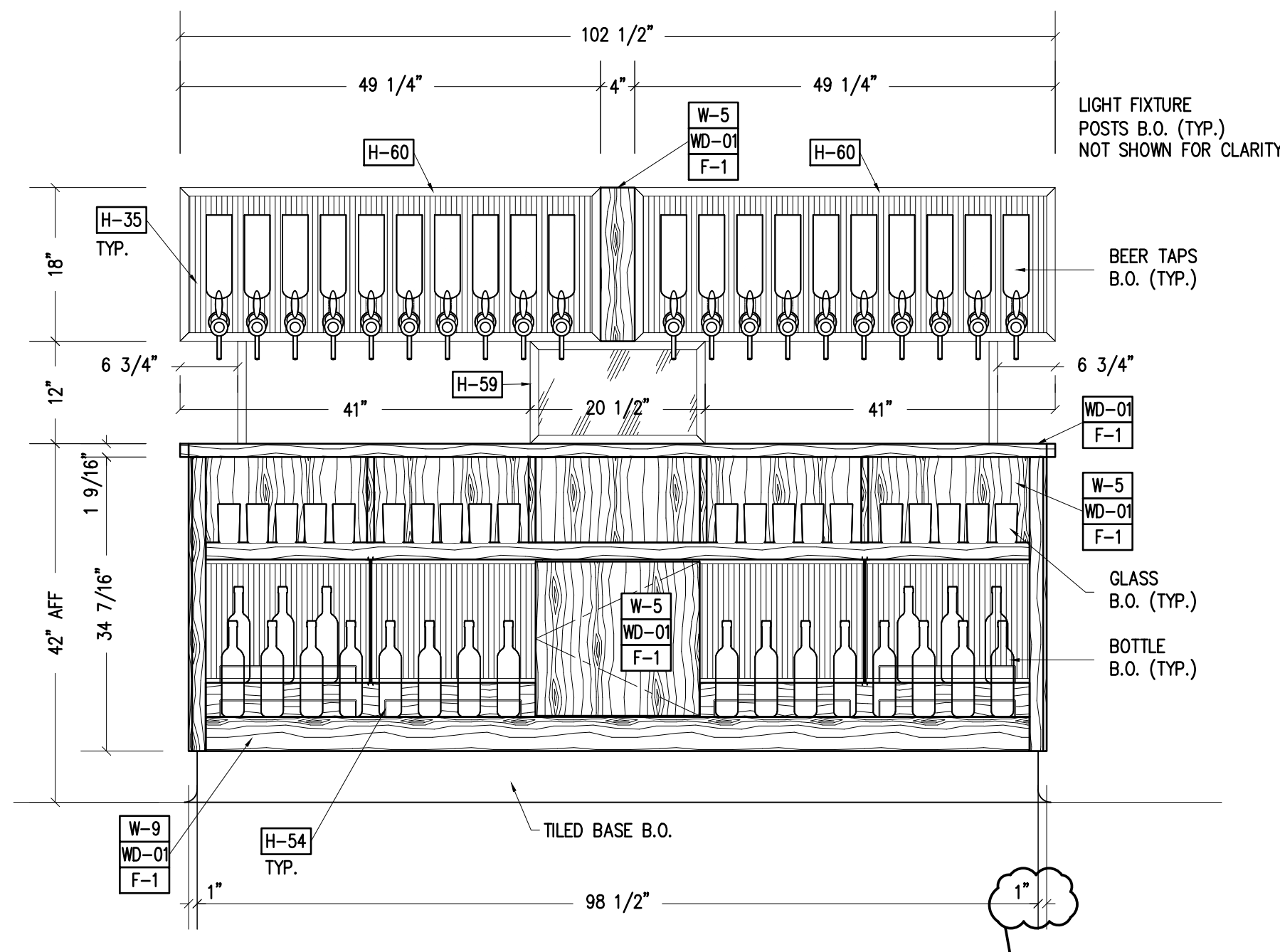
NOTE TO ARCHITECT: PLEASE PROVIDE MORE DETAILS FOR COORDINATION



3 Elevation
Scale: 3/4" = 1'-0"
ITEM #31, 33

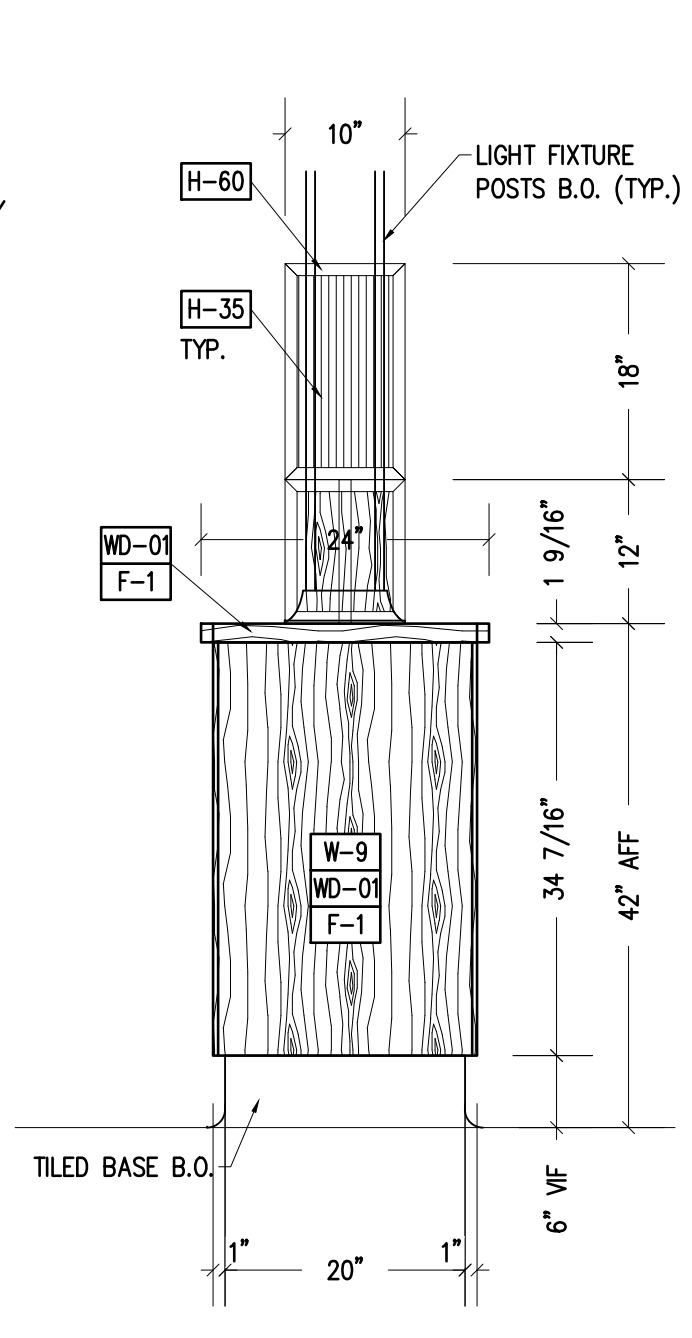


4 Elevation
Scale: 3/4" = 1'-0"
ITEM #31, 33



5 Elevation
Scale: 3/4" = 1'-0"
ITEM #31, 33

NOTE TO ARCHITECT: PLEASE VERIFY DIMENSION (TYP.)



6 Elevation
Scale: 3/4" = 1'-0"
ITEM #31, 33

PRELIMINARY
Not For Fabrication

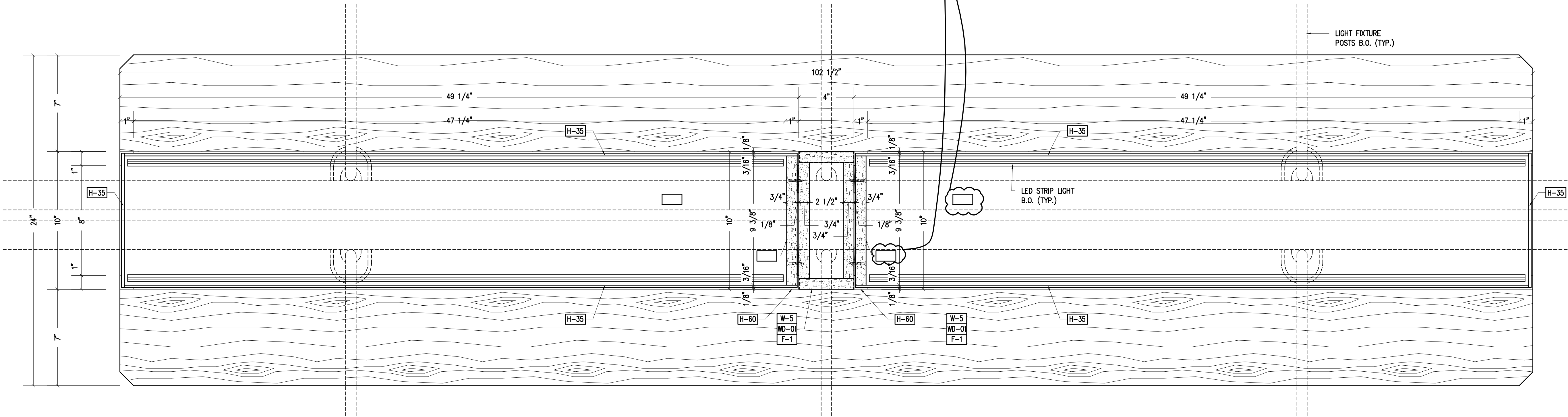
TITLE BACK BAR
ITEM #31, 32, 33

By: PD	Date: 11/3/17	Set: 1 of 7
Job No.	Item: 31	Dwg. No. 01
Scale: As Noted		

< Wróć

H35	BENDHEIM GLASS 3/16" THK TEXTURED AVRO 166 FLUTED (GL-02)
H54	1" DIA. BOTTLE L. BRASS (MT-02)
H59	BACKBAR METAL FRAME (MT-02) TYPE 1
H60	BACKBAR METAL FRAME (MT-02) TYPE 2
H61	1/2" X 1/2" X 1/8" SATIN BRASS ANGLE (MT-02)
H63	1/2" X 1/2" L TRIM (MT-02)
H65	1" DIA SUPPORT (MT-02)

NOTE TO ARCHITECT:
PLEASE SPECIFY
FINISH



7 Plan Section
Scale: 3" = 1'-0" ITEM #31, 33

WOOD SPECIES	
WD-01	ARCH PROVIDE CONTROL SAMPLE FOR SPECIES / FIN MATCH
WD-02	ARCH PROVIDE CONTROL SAMPLE FOR SPECIES / FIN MATCH
WD-03	ARCH PROVIDE CONTROL SAMPLE FOR SPECIES / FIN MATCH
WD-4	
WD-5	
WD-6	
WD-7	1/4" X 1/2" X 3/4" MELAMINE BLACK
WD-8	1/4" X 1/2" X 3/4" MELAMINE WHITE
WD-9	
WD-10	SOLID WALNUT
WD-11	SOLID POPLAR
WD-12	SOLID ACCOVA (S.T.M. PT-06 CUSTOM RUSTY RED STAIN)
WD-13	3/4" CABINET GRADE BIRCH PLYWOOD
WD-14	1/2" PLYWOOD (BLOCKING, CLEATS, ETC.)
WD-15	3/4" (4 X 8) STOCK PLYWOOD (MOIST RESIST)

PLASTIC LAMINATE	
PL-1	WILSONART #1551K-01 BLACK (HIGH GLOSS)
PL-2	
PL-3	
PL-4	
PL-5	
PL-6	

FINISH	
F-1	PER APPROVED SAMPLE
F-2	PER APPROVED SAMPLE
F-3	PRIME PAINT
F-4	CLEAR LACQUER
F-5	BLACK PAINT

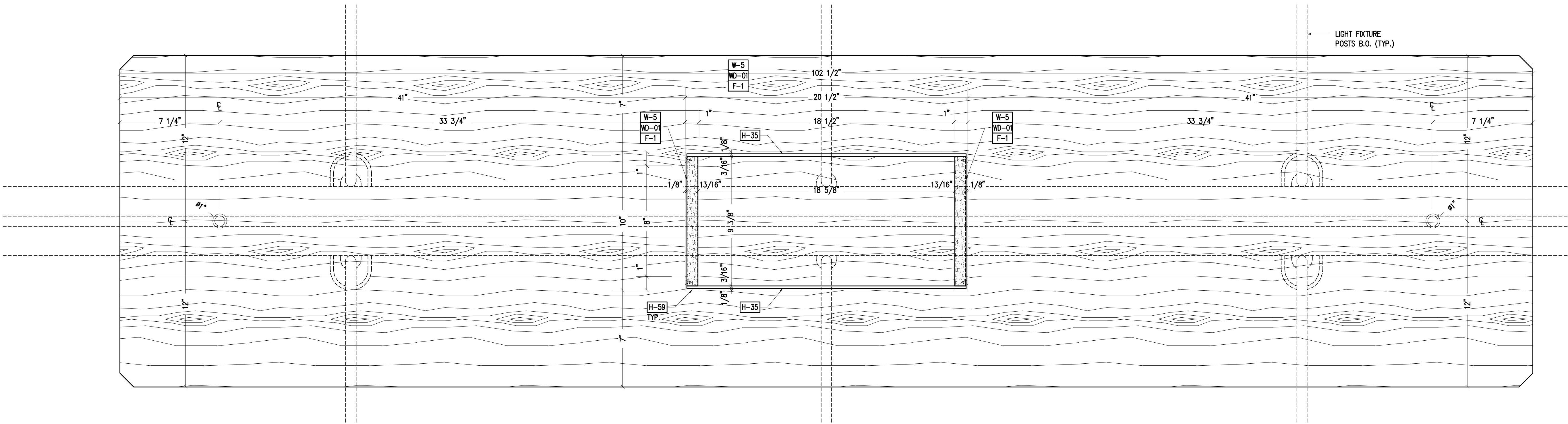
STANDARD HARDWARE	
H-1	BUM HINGE 120° OVERLAY-7375500 / PLATE 174H*10
H-2	ACCURIDE DRAWER SLIDE - SLIDE-DR-ACC382-20 1/8
H-3	SHELF PINS - CLIP-332-ANO
H-4	ALUM ANGLE 1 1/4" X 1 1/4" ANGLE-314-0
H-5	4" WIRE PULL - PULL-MC402-4-DC
H-6	IVES ELBOW CATCH - 1225-0176
H-7	TIMBERLINE LOCKS - TIMB-CB-241-TIMB-BZ-100-TIMB-LP-100
H-8	TOUCH LATCH - MLATCH
H-9	MAGNETIC CATCH - 12250174
H-10	C TOP JOINT FASTENER - JOINT-FASTENER
H-11	3 CREW W. FIN WASHER
H-12	T-NUTS 1/4" X 2.0 - NUT-T-20-7/16
H-13	Z-CLIP - PANEL-CLIP (UNIT OF MEASURE IS LF)
H-14	Z-CLIP - (PANEL-CLIP-3) (UNIT OF MEASURE IS EACH)
H-15	GROMMETS - GROMMET-BL-2
H-16	1 1/2" X 1 1/2" ALUM ANGLE
H-17	STANDARD - K.V. #87 ANO - 84" LONG
H-18	BRACKET - K.V. #187 ANO - 12" / CLIP - K.V. #211 ANO
H-19	FLANGE - K.V. #74 CHR (CHROME LOOK) FLANGE-744-CHR

PART RENTAL ID (PRID)	
H-20	HANGROD 1 1/2" DIA (CHROME LOOK) HANGROD-CHROM
H-21	PENDAFLEX CLIPS DRAWER-TOP-MOUNT-CLIP
H-22	PENDAFLEX FILE BAR DRAWER-FILEBAR
H-23	15/16" X 12/16" X 3/32" ANGLE #12250020 W/ PANEL-CLIP-3
H-24	TOE-KICK-4-36-PLASTIC INTERIOR TOE KICK #3" SET BACK
H-25	NO DRILLING BONDING FASTENERS FOR SINK SINK-FAS-TENR
H-26	Z-SHAPED METAL CLIP FOR SINK SINK-Z-CLIP
H-27	WINGNUT FOR SINK FASTENER SINK-WINGNUT
H-28	KEEP NUT 1/4-20 (FOR SOLID SURFACE) KEEP NUT-2S-1/4
H-29	KEEP NUT 1/4-20 KIT (FOR SOLID SURFACE) KEEP NUT-1/4-KIT
H-30	
H-31	
H-32	
H-33	
H-34	

THE DETAILS, DESIGN AND PLANS ON THIS DRAWING ARE THE PROPERTY OF PARS INCORPORATED FOR THE SPECIFIC PROJECTS INDICATED AND MAY NOT BE USED FOR ANY PURPOSE BY ANY OTHER PERSON OR FIRM WITHOUT WRITTEN PERMISSION FROM PARS INCORPORATED.
WRITTEN DIMENSIONS SHALL HAVE PRECEDENCE OVER SCALED DIMENSIONS IN ALL CASES, AND CONTRACTORS SHALL BE RESPONSIBLE FOR VERIFYING SUCH DIMENSIONS.
CONTRACTORS SHALL ALSO BE RESPONSIBLE FOR NOTIFYING PARS INCORPORATED OF ANY VARIATIONS IN DIMENSIONS OR JOB CONDITIONS FROM THOSE SHOWN ON THIS DRAWING.

ISSUE	DATE	ISSUE NOTES
1	11/03/17	Issued for Approval By JEFF S

REV	DATE	REVISION NOTES
-----	------	----------------



8 Plan Section
Scale: 3" = 1'-0" ITEM #31, 33

PRELIMINARY
 Not For Fabrication

TITLE BACK BAR ITEM #31, 32, 33		
By: PD	Date: 11/3/17	Set: 2 of 7
Job No.	Item:	Dwg. No.
Scale: As Noted	31	02

< Wróć

H35	BENDHEIM GLASS 3/16" THK TEXTURED AYRO 166 FLUTED (GL-02)
H54	1" DIA. BOTTLE RAIL BRASS (MT-02)
H59	BACKBAR METAL FRAME (MT-02) TYPE 1
H60	BACKBAR METAL FRAME (MT-02) TYPE 2
H61	1/2" X 1/2" X 1/8" SATIN BRASS ANGLE (MT-02)
H63	1/2" X 1/2" L TRIM (MT-02)
H65	1" DIA SUPPORT (MT-02)

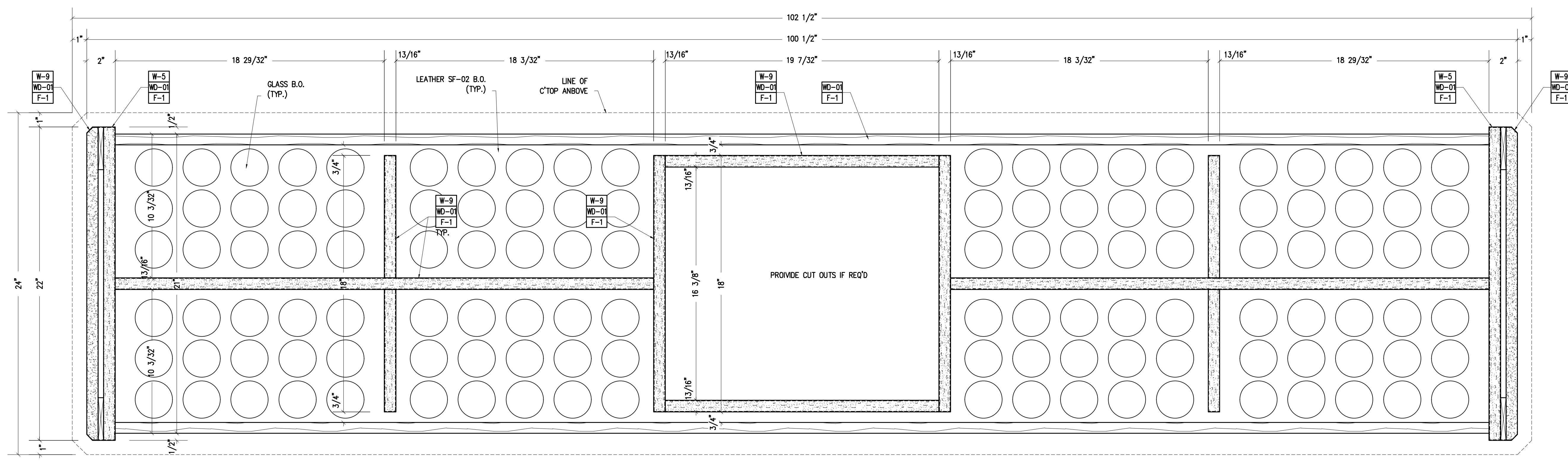
WOOD SPECIES	
WD-01	ARCH PROVIDE CONTROL SAMPLE FOR SPECIES / FIN MATCH
WD-02	ARCH PROVIDE CONTROL SAMPLE FOR SPECIES / FIN MATCH
WD-03	ARCH PROVIDE CONTROL SAMPLE FOR SPECIES / FIN MATCH
WD-4	
WD-5	
WD-6	
WD-7	1/4", 1/2", 3/4" MELAMINE BLACK
WD-8	1/4", 1/2", 3/4" MELAMINE WHITE
WD-9	
WD-10	SOLID WALNUT
WD-11	SOLID POPLAR
WD-12	SOLID ACCOVA (S.T.M. PT-06 CUSTOM RUSTY RED STAIN)
WD-13	3/4" CABINET GRADE BIRCH PLYWOOD
WD-14	1/2" PLYWOOD (BLOCKING, CLEATS, ETC.)
WD-15	3/4" (4 X 8) STOCK PLYWOOD (MOIST. RESIST)

PLASTIC LAMINATE	
PL-1	WILSONART #1551K-01 BLACK (HIGH GLOSS)
PL-2	
PL-3	
PL-4	
PL-5	
PL-6	

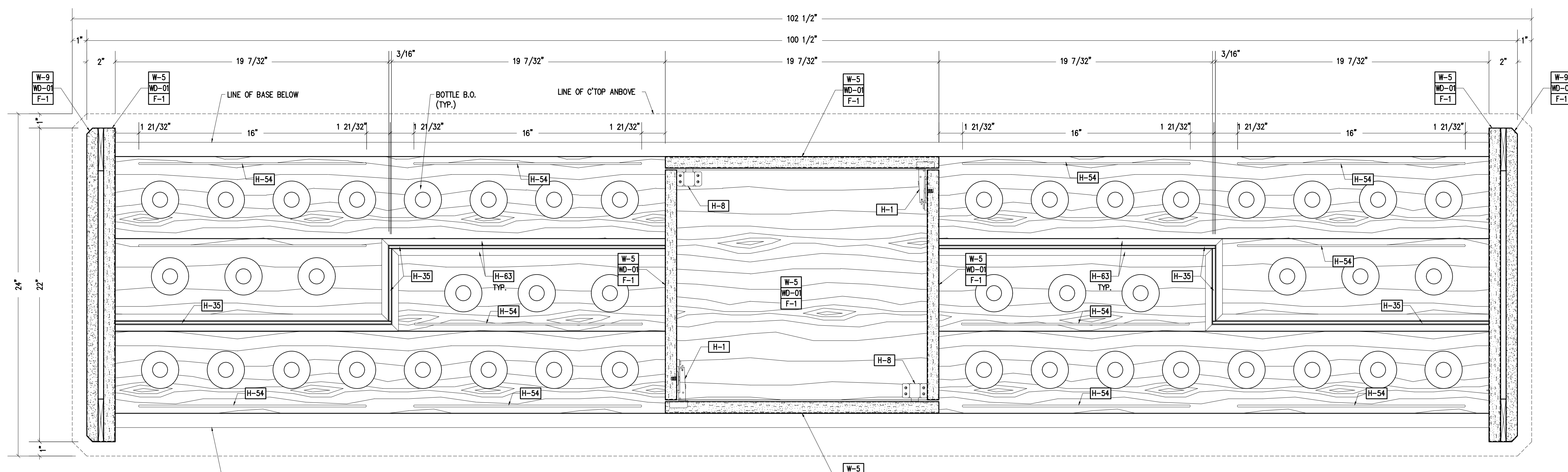
FINISH	
F-1	PER APPROVED SAMPLE
F-2	PER APPROVED SAMPLE
F-3	PRIME PAINT
F-4	CLEAR LACQUER
F-5	BLACK PAINT

STANDARD HARDWARE	
H-1	BUM HINGE 120° OVERLAY-7375500 / PLATE 174H10
H-2	ACCURIDE DRAWER SLIDE - SLIDE-DR-ACC382-20 16
H-3	HELPH PINS - CLIP-332-ANO
H-4	ALUM ANGLE 1 1/4" X 1 1/4" ANGLE-314-0
H-5	4" WIRE PULL - PULL-MC402-4-DC
H-6	IVES ELBOW CATCH - 1225-0176
H-7	TIMBERLINE LOCKS - TIMB-CB-241, TIMB-BZ-100, TIMB-LP-100
H-8	TOUCH LATCH - MLATCH
H-9	MAGNETIC CATCH - 12250174
H-10	C TOP JOINT FASTENER - JOINT-FASTENER
H-11	3 CREW W. FIN WASHER
H-12	T NUTS 1/4" X 2.0 - NUT-T-20-7/16
H-13	Z-CLIP - PANEL-CLIP (UNIT OF MEASURE IS LF)
H-14	Z-CLIP - (PANEL-CLIP-3) (UNIT OF MEASURE IS EACH)
H-15	GROMMETS - GROMMET-BL-2
H-16	1 1/2" X 1 1/2" ALUM ANGLE
H-17	STANDARD - K.V. #87 ANO - 12" / CLIP - K.V. #211 ANO
H-18	BRACKET - K.V. #187 ANO - 12" / CLIP - K.V. #211 ANO
H-19	FLANGE - K.V. #764 CHR (CHROME LOOK) / FLANGE-764-CHR

PART RENTAL ID (PRID)	
H-20	HANGROD 1 1/2" DIA (CHROME LOOK) HANGROD-CHROM
H-21	PEN DAFLX CLIPS DRAWER-TOP-MOUNT-CLIP
H-22	PEN DAFLX FILE BAR DRAWER-FILEBAR
H-23	15/16" X 1/2" 16" X 3/32" ANGLE #12250020 W/ PANEL-CLIP-3
H-24	TOE-KICK-4-36 PLASTIC INTEGRAL TOE KICK - 3" SET BACK
H-25	NO DRILLING BONDING FASTENERS FOR SINK SINK-FASTENR
H-26	Z-SHAPED METAL CLIP FOR SINK SINK-CLIP
H-27	WINGNUT FOR SINK FASTENER SINK-WINGNUT
H-28	KEEP NUT 1/4-20 (FOR SOLID SURFACE) KEEPNT-2S-1/4
H-29	KEEP NUT 1/4-20 KIT (FOR SOLID SURFACE) KEEPNT-1/4-KIT
H-30	
H-31	
H-32	
H-33	
H-34	



9 Plan Section
Scale: 3" = 1'-0" ITEM #31, 33



10 Plan Section
Scale: 3" = 1'-0" ITEM #31, 33

PRELIMINARY
 Not For Fabrication

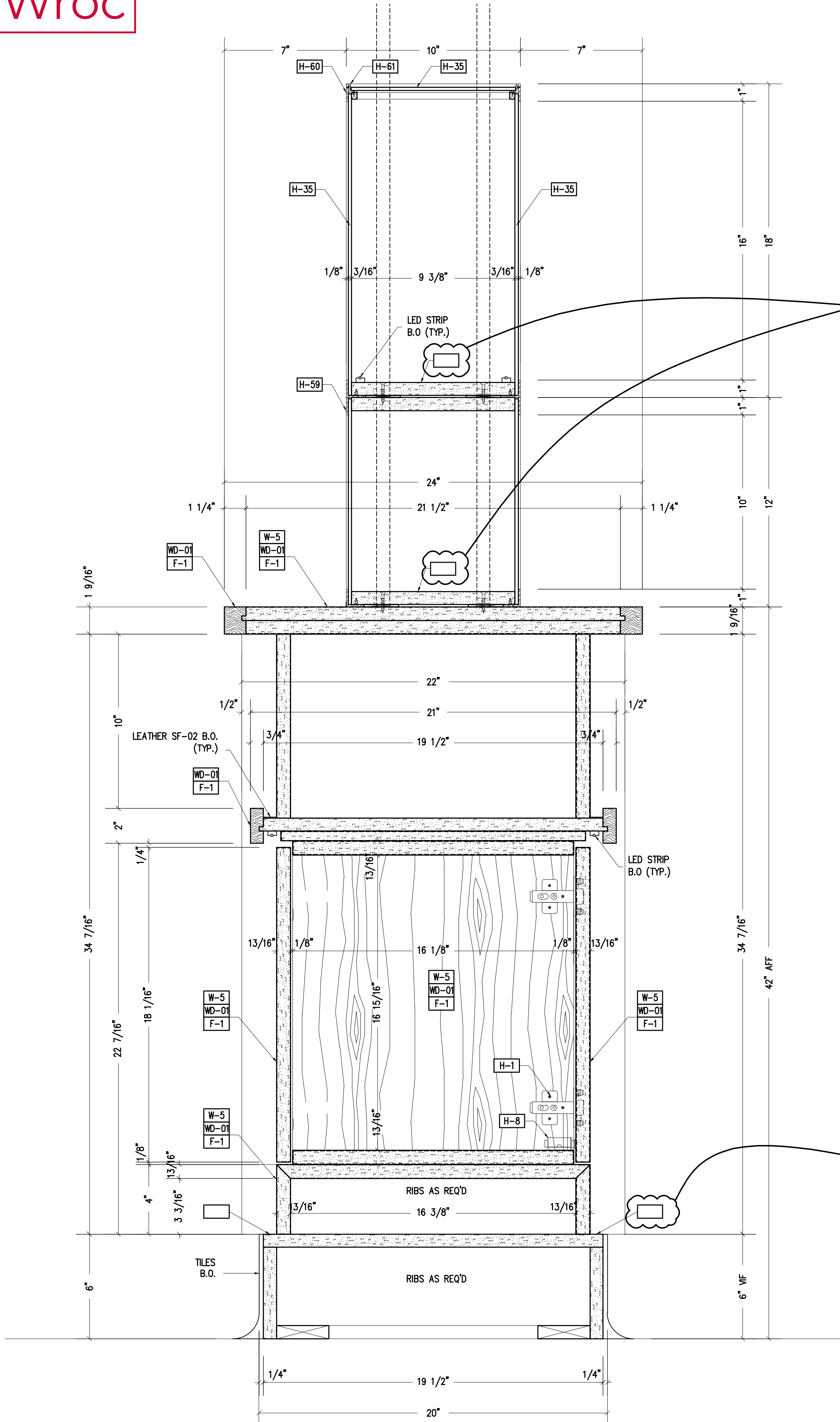
THE DETAILS, DESIGN AND PLANS ON THIS DRAWING ARE THE PROPERTY OF PARS INCORPORATED FOR THE SPECIFIC PROJECTS INDICATED AND MAY NOT BE USED FOR ANY PURPOSE BY ANY OTHER PERSON OR FIRM WITHOUT WRITTEN PERMISSION FROM PARS INCORPORATED.
 WRITTEN DIMENSIONS SHALL HAVE PRECEDENCE OVER SCALED DIMENSIONS IN ALL CASES, AND CONTRACTORS SHALL BE RESPONSIBLE FOR VERIFYING SUCH DIMENSIONS. CONTRACTORS SHALL ALSO BE RESPONSIBLE FOR NOTIFYING PARS INCORPORATED OF ANY VARIATIONS IN DIMENSIONS OR JOB CONDITIONS FROM THOSE SHOWN ON THIS DRAWING.

ISSUE	DATE	ISSUE NOTES
1	11/03/17	Issued for Approval By JEFF S

REV	DATE	REVISION NOTES

TITLE BACK BAR ITEM #31, 32, 33		
By: PD	Date: 11/3/17	Set: 3 of 7
Job No.	Item: 31	Dwg. No. 03
Scale: As Noted		

< Wróć

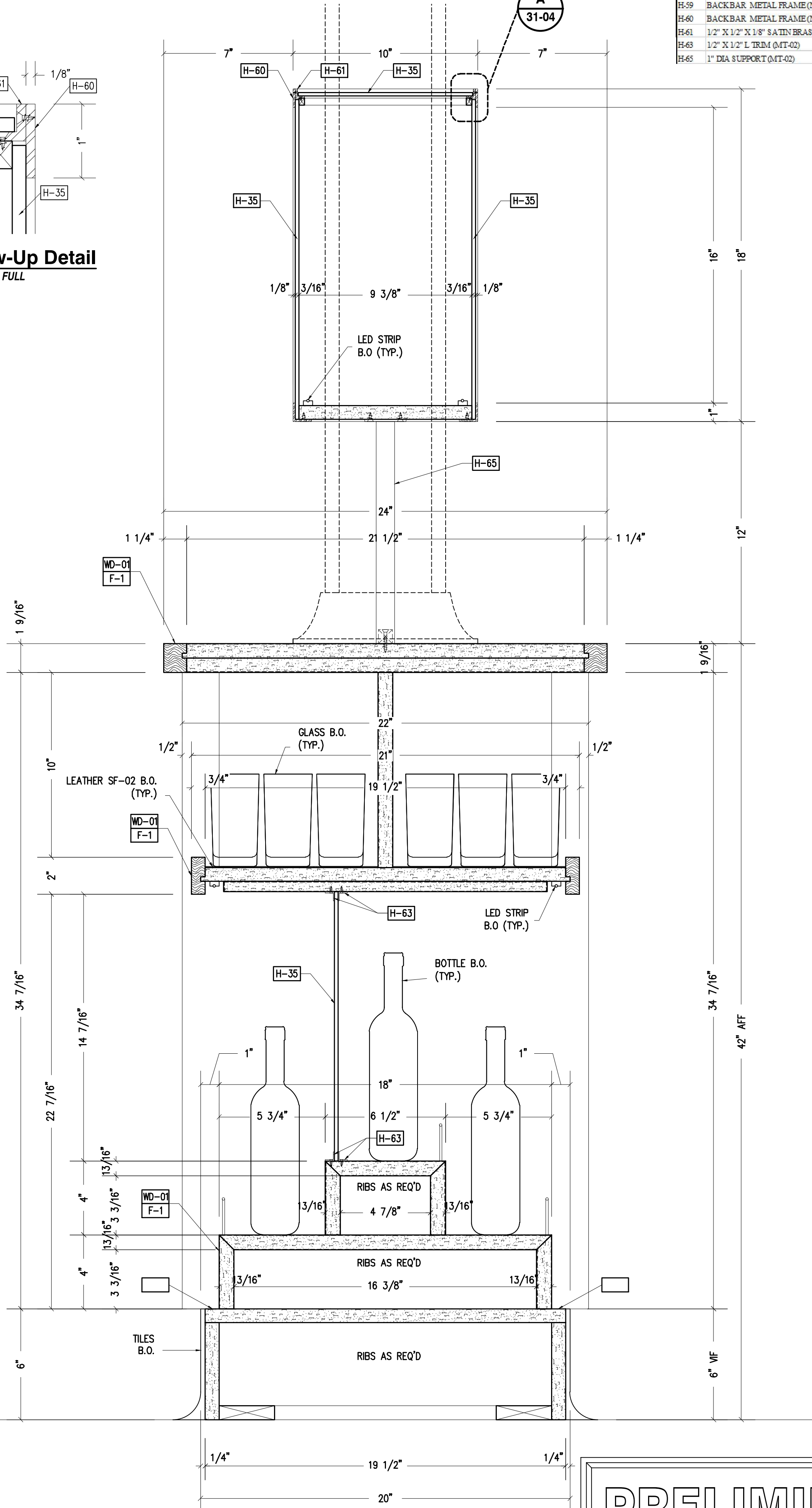
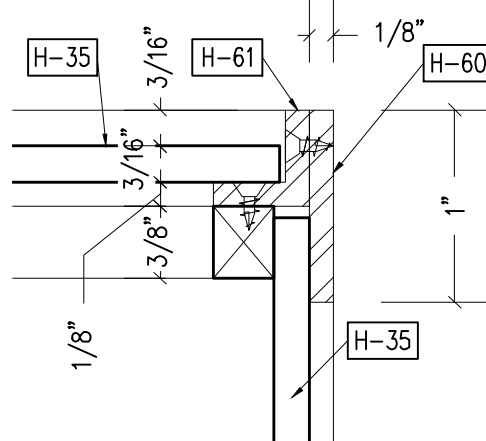


NOTE TO ARCHITECT:
PLEASE SPECIFY
FINISH

NOTE TO ARCHITECT:
PLEASE INDICATE
CUT OUTS IF REQ'D

NOTE TO ARCHITECT:
PLEASE SPECIFY
FINISH

A Blow-Up Detail
Scale: FULL



H-35	BENDHEIM GLASS 3/16" THK TEXTURED AYRO 166 FLUTED (GL-02)
H-54	1/8" DIAM. BOTTLE L. BRASS (MT-02)
H-59	BACKBAR METAL FRAME (MT-02) TYPE 1
H-60	BACKBAR METAL FRAME (MT-02) TYPE 2
H-61	1/2" X 1/2" X 1/8" SATIN BRASS ANGLE (MT-02)
H-63	1/2" X 1/2" L TRIM (MT-02)
H-65	1" DIA SUPPORT (MT-02)

WOOD SPECIES	
WD-01	ARCH PROVIDE CONTROL SAMPLE FOR SPECIES / FIN MATCH
WD-02	ARCH PROVIDE CONTROL SAMPLE FOR SPECIES / FIN MATCH
WD-03	ARCH PROVIDE CONTROL SAMPLE FOR SPECIES / FIN MATCH
WD-4	
WD-5	
WD-6	
WD-7	1/4", 1/2", 3/4" MELAMINE BLACK
WD-8	1/4", 1/2", 3/4" MELAMINE WHITE
WD-9	
WD-10	SOLID WALNUT
WD-11	SOLID POPLAR
WD-12	SOLID ACCOVA (S.T.M. PT-66 CUSTOM RUSTY RED STAIN)
WD-13	3/4" CABINET GRADE BIRCH PLYWOOD
WD-14	1/2" PLYWOOD (BLOCKING, CLEATS, ETC.)
WD-15	3/4" (4 X 8) STOCK PLYWOOD (MOIST. RESIST)

PLASTIC LAMINATE	
PL-1	WILSONART #1551K-01 BLACK (HIGH GLOSS)
PL-2	
PL-3	
PL-4	
PL-5	
PL-6	

FINISH	
F-1	PER APPROVED SAMPLE
F-2	PER APPROVED SAMPLE
F-3	PRIME PAINT
F-4	CLEAR LACQUER
F-5	BLACK PAINT

STANDARD HARDWARE	
H-1	BUM HINGE 120° OVERLAY-73T5500 / PLATE 174H110
H-2	ACCURIDE DRAWER SLIDE - SLIDE-DR-ACC3832-20 / 16
H-3	SHELF PINS - CLIP-332-ANO
H-4	ALUM ANGLE 1 1/4" X 1 1/4" ANGLE-314-0
H-5	4" WIRE PULL - PULL-MC402-4-DC
H-6	IVES ELBOW CATCH - 1225-0176
H-7	TIMBERLINE LOCKS - TIMB-CB-241, TIMB-BZ-100, TIMB-LP-100
H-8	TOUCH LATCH - MLATCH
H-9	MAGNETIC CATCH - 12250174
H-10	C TOP JOINT FASTENER - JOINT-FASTENER
H-11	5 CREW W. FIN WASHER
H-12	T NUTS 1/4 X 2.0 - NUT-T-2.0-7/16
H-13	Z-CLIP - PANEL-CLIP (UNIT OF MEASURE IS LF)
H-14	Z-CLIP - PANEL-CLIP-3 (UNIT OF MEASURE IS EACH)
H-15	GROMMETS - GROMMET-BL-2
H-16	1 1/2" X 1 1/2" ALUM ANGLE
H-17	STANDARD - K.V. #87 ANO - 84" LONG
H-18	BRACKET - K.V. #187 ANO - 12" / CLIP - K.V. #211 ANO
H-19	FLANGE - K.V. #744 CHR (CHROME LOOK) / FLANGE-744-CHR

PART RENTAL ID (PRID)	
H-20	HANGROD 1 1/2" DIA (CHROME LOOK) HANGROD-CHROM
H-21	PEN DAFLEX CLIPS DRAWER-TOP-MOUNT-CLIP
H-22	PEN DAFLEX FILE BAR DRAWER-FILEBAR
H-23	15/16" X 12/16" X 3/32" ANGLE #12250020 W/PANEL-CLIP-3
H-24	TOE-KICK-4-36-PLASTIC INTEGRAL TOE KICK - 3" SET BACK
H-25	NO DRILLING BONDING FASTENER FOR SINK SINK-FAS-TENR
H-26	Z-SHAPED METAL CLIP FOR SINK SINK-Z-CLIP
H-27	WINONUT FOR SINK FASTENER SINK-WINONUT
H-28	KEEP NUT 1/4-20 (FOR SOLID SURFACE) KEEP NUT-2S-1/4
H-29	KEEP NUT 1/4-20 KIT (FOR SOLID SURFACE) KEEP NUT-1/4-KIT
H-30	
H-31	
H-32	
H-33	
H-34	

THE DETAILS, DESIGN AND PLANS ON THIS DRAWING ARE THE PROPERTY OF PARS INCORPORATED FOR THE SPECIFIC PROJECTS INDICATED AND MAY NOT BE USED FOR ANY PURPOSE BY ANY OTHER PERSON OR FIRM WITHOUT WRITTEN PERMISSION FROM PARS INCORPORATED.
WRITTEN DIMENSIONS SHALL HAVE PRECEDENCE OVER SCALED DIMENSIONS IN ALL CASES, AND CONTRACTORS SHALL BE RESPONSIBLE FOR VERIFYING SUCH DIMENSIONS.
CONTRACTORS SHALL ALSO BE RESPONSIBLE FOR NOTIFYING PARS INCORPORATED OF ANY VARIATIONS IN DIMENSIONS OR JOB CONDITIONS FROM THOSE SHOWN ON THIS DRAWING.

ISSUE	DATE	ISSUE NOTES
1	11/03/17	Issued for Approval By JEFF S

REV	DATE	REVISION NOTES
-----	------	----------------

TITLE BACK BAR
ITEM #31, 32, 33

11 Cross Section
Scale: 3" = 1'-0"
ITEM #31, 33

12 Cross Section
Scale: 3" = 1'-0"
ITEM #31, 33

PRELIMINARY
Not For Fabrication

By:	PD	Date:	11/3/17	Set:	4 of 7
Job No.:		Item:		Dwg. No.:	
Scale:	As Noted			31	04

< Wróć

H-35	BENDHEIM GLASS 3/16" THK. TEXTURED AVRO 166 FLUTED (GL-02)
H-54	1" DIA. BOTTLE L. BRASS (MT-02)
H-59	BACKBAR METAL FRAME (MT-02) TYPE 1
H-60	BACKBAR METAL FRAME (MT-02) TYPE 2
H-61	1/2" X 1/2" X 1/8" SATIN BRASS ANGLE (MT-02)
H-63	1/2" X 1/2" L TRIM (MT-02)
H-65	1" DIA SUPPORT (MT-02)

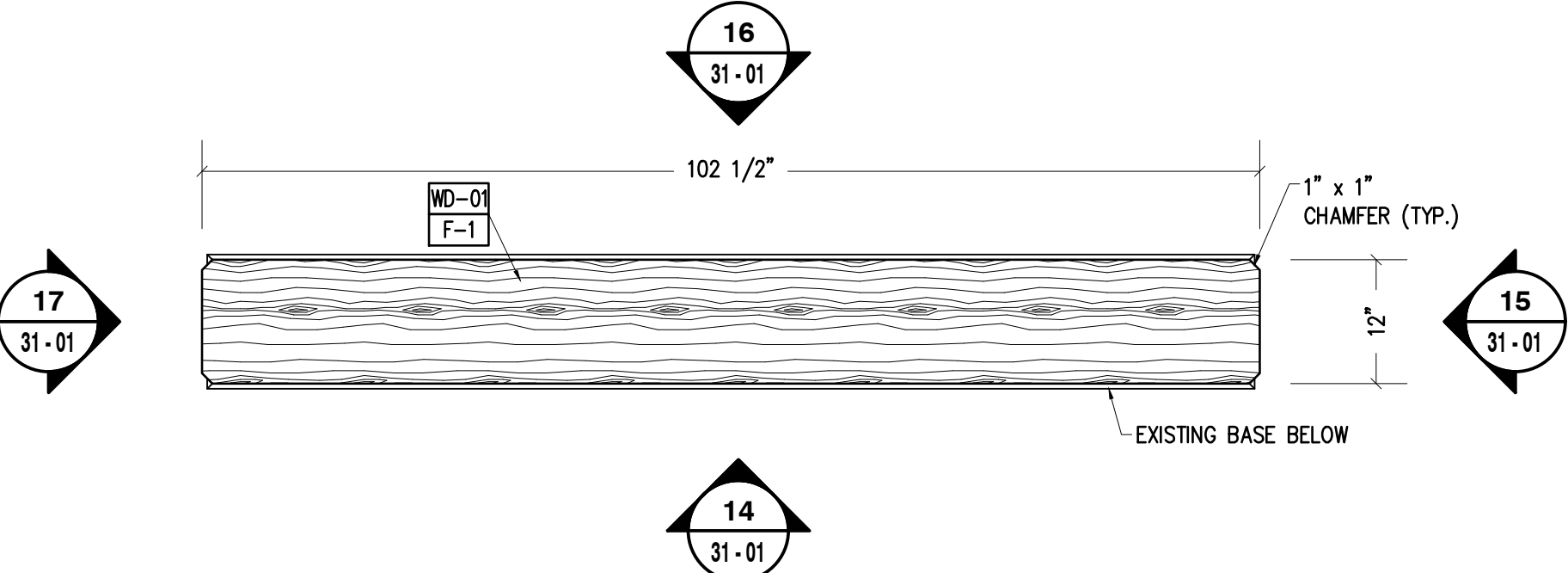
WOOD SPECIES	
WD-01	ARCH PROVIDE CONTROL SAMPLE FOR SPECIES / FIN MATCH
WD-02	ARCH PROVIDE CONTROL SAMPLE FOR SPECIES / FIN MATCH
WD-03	ARCH PROVIDE CONTROL SAMPLE FOR SPECIES / FIN MATCH
WD-4	
WD-5	
WD-6	
WD-7	1/4", 1/2", 3/4" MELAMINE BLACK
WD-8	1/4", 1/2", 3/4" MELAMINE WHITE
WD-9	
WD-10	SOLID WALNUT
WD-11	SOLID POPLAR
WD-12	SOLID ACCOVA (S.T.M. PT-06 CUSTOM RUSTY RED STAIN)
WD-13	3/4" CABINET GRADE BIRCH PLYWOOD
WD-14	1/2" PLYWOOD (BLOCKING, CLEATS, ETC.)
WD-15	3/4" (4 X 8) STOCK PLYWOOD (MOIST. RESIST)

PLASTIC LAMINATE	
PL-1	WILSONART #1591K-01 BLACK (HIGH GLOSS)
PL-2	
PL-3	
PL-4	
PL-5	
PL-6	

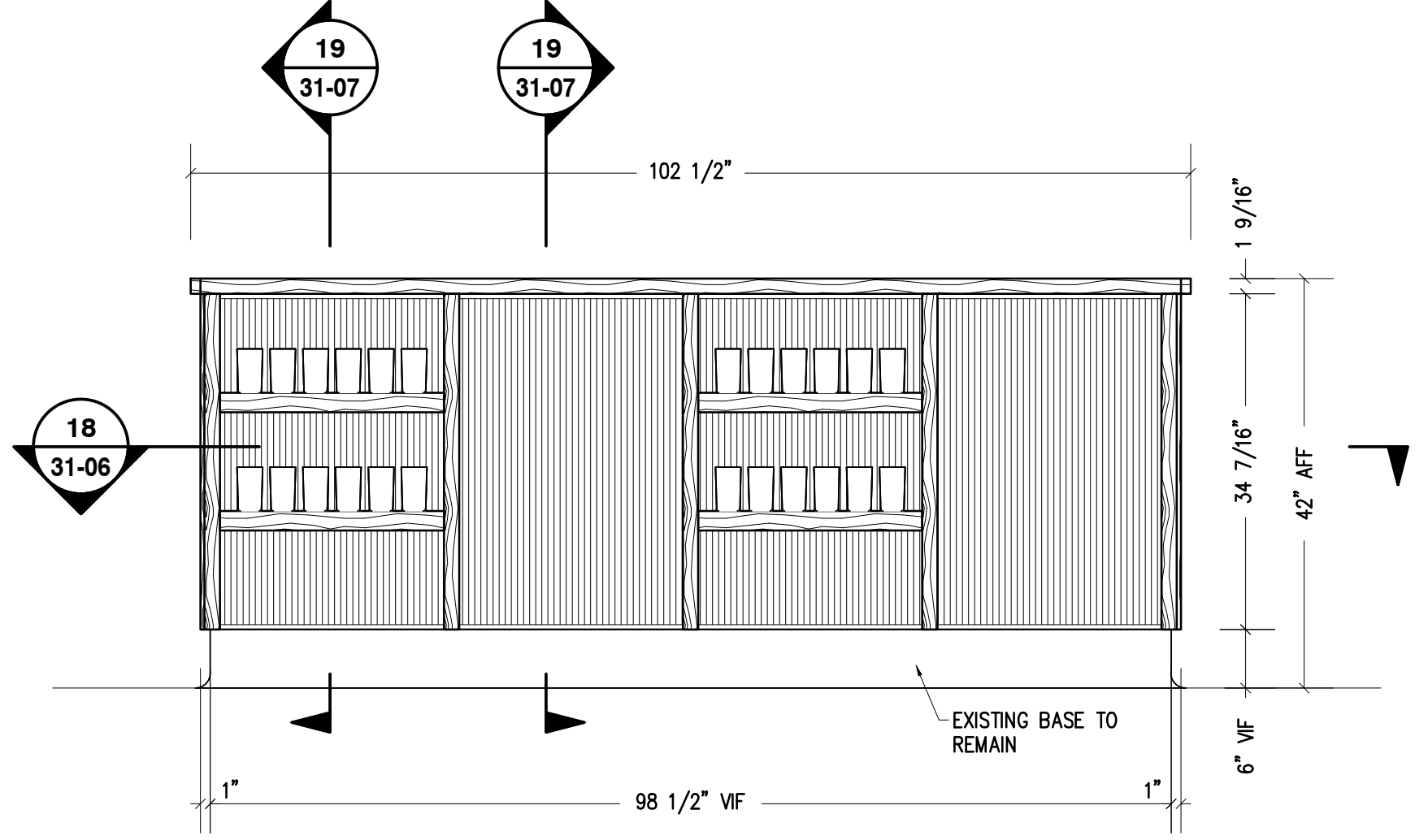
FINISH	
F-1	PER APPROVED SAMPLE
F-2	PER APPROVED SAMPLE
F-3	PRIME PAINT
F-4	CLEAR LACQUER
F-5	BLACK PAINT

STANDARD HARDWARE	
H-1	BLUM HINGE 120° OVERLAY-73T5580/ PLATE 174H*10
H-2	ACCURIDE DRAWER SLIDE - SLIDE-DR-ACC1812-20/16
H-3	SHELF PINS - CLIP-532-ANO
H-4	ALUM ANGLE 1 1/4" X 1 1/4" ANGLE-314-0
H-5	4" WIRE PULL - PULL-MC402-4-DC
H-6	IVES ELBOW CATCH - 1225-0176
H-7	TIMBERLINE LOCKS - TIMB-CB-241, TIMB-BZ-100, TIMB-LP-100
H-8	TOUCH LATCH - MLATCH
H-9	MAGNETIC CATCH - 12250174
H-10	C TOP JOINT FASTENER - JOINT-FASTENER
H-11	SCREW W. FIN WASHER
H-12	T-NUTS 1/4 X 1/2 - NUT-T-30-7/16
H-13	2-CLIP - PANEL-CLIP (UNIT OF MEASURE IS LF)
H-14	2-CLIP - PANEL-CLIP-3 (UNIT OF MEASURE IS EACH)
H-15	GROMMETS - GROMMET-BL-2
H-16	1 1/2" X 1 1/2" ALUM ANGLE
H-17	STANDARD - K.V. #87 ANO - 84" LONG
H-18	BRACKET - K.V. #187 ANO - 12" / CLIP - K.V. #211 ANO
H-19	FLANGE - K.V. #764 CHR. (CHROME LOOK) FLANGE-764-CHR

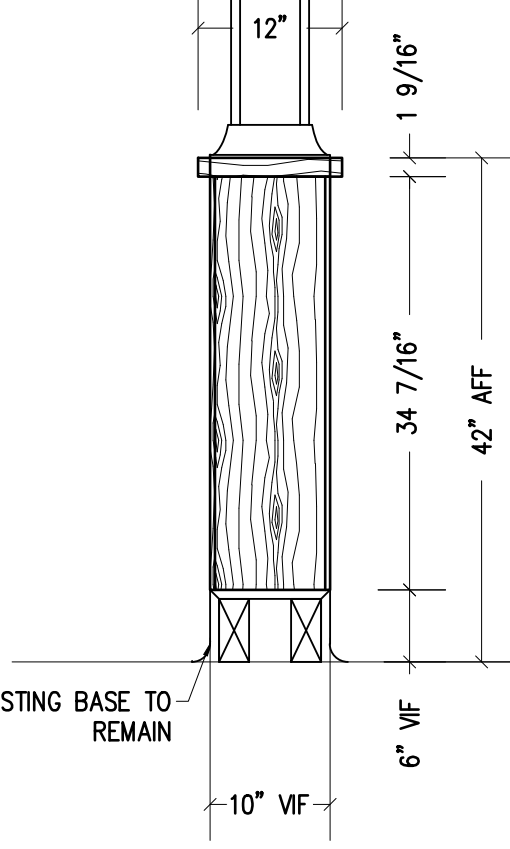
PART RENTAL ID (PRID)	
H-20	HANGROD 1 1/2" DIA. (CHROME LOOK) HANGROD-CHROM
H-21	PENDAFLEX CLIPS DRAWER-TOP-MOUNT-CLIP
H-22	PENDAFLEX FILE BAR DRAWER-FILEBAR
H-23	1 1/2" X 1 1/2" X 3/32" ANGLE #12250020 W/ PANEL-CLIP-3
H-24	TOB-KICK-4-36 PLASTIC INTEGRAL TOB KICK - 3" SET BACK
H-25	NO DRILLING BONDING FASTENERS FOR SINK SINK-FAS-TENR
H-26	2-SHAPED METAL CLIP FOR SINK SINK-K-CLIP
H-27	WINDOUT FOR SINK FASTENER SINK-WINGNUT
H-28	KEEP NUT 1/4-20 (FOR SOLID SURFACE) KEEP NUT-2S-1/4
H-29	KEEP NUT 1/4-20 KIT (FOR SOLID SURFACE) KEEP NUT-1/4-KIT
H-30	
H-31	
H-32	
H-33	
H-34	



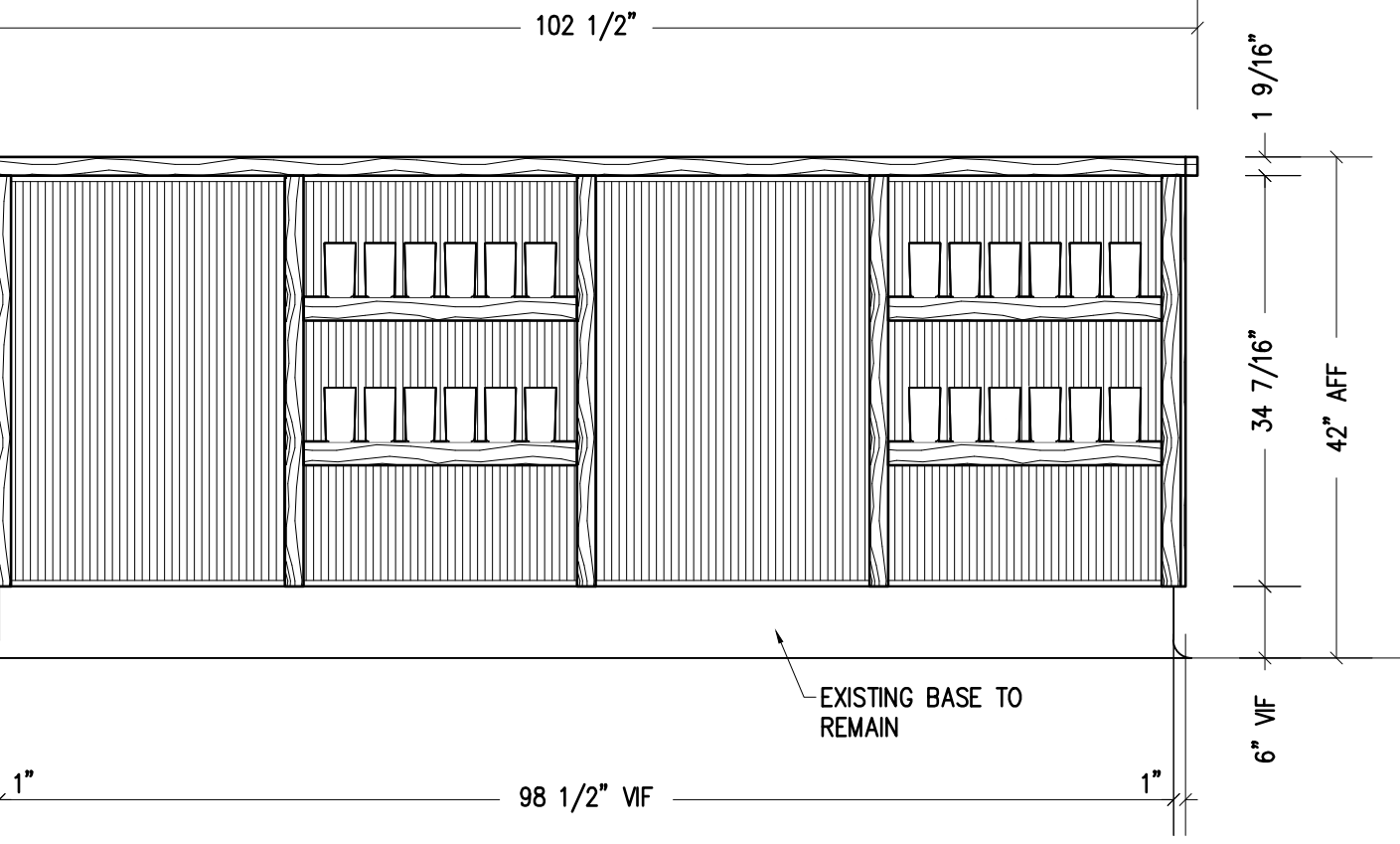
13 Plan View
Scale: 3/4" = 1'-0" ITEM #32



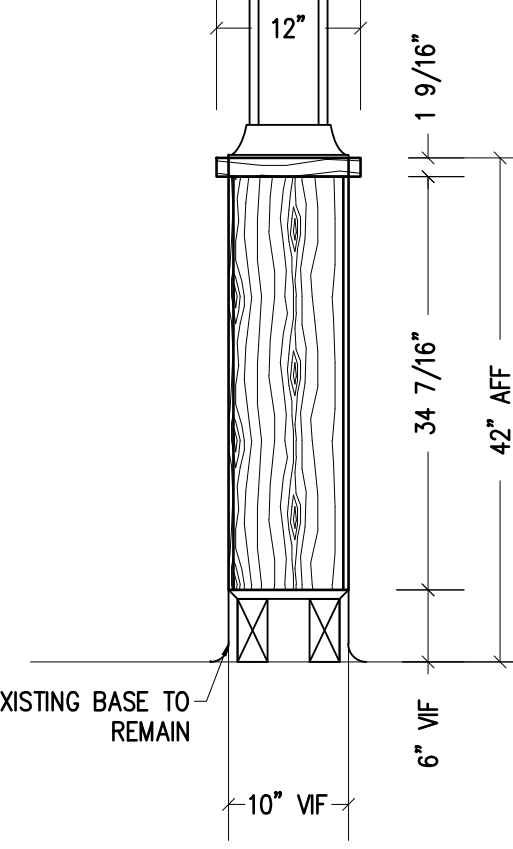
14 Elevation
Scale: 3/4" = 1'-0" ITEM #32



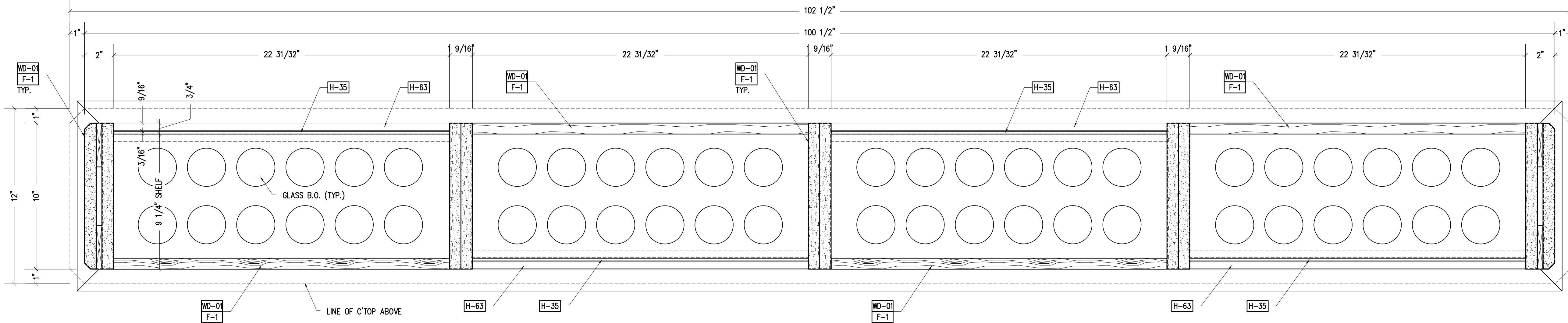
15 Elevation
Scale: 3/4" = 1'-0" ITEM #32



16 Elevation
Scale: 3/4" = 1'-0" ITEM #32



17 Elevation
Scale: 3/4" = 1'-0" ITEM #32



18 Plan Section
Scale: 1-1/2" = 1'-0" ITEM #32

PRELIMINARY
 Not For Fabrication

THE DETAILS, DESIGN AND PLANS ON THIS DRAWING ARE THE PROPERTY OF PARIS INCORPORATED FOR THE SPECIFIC PROJECTS INDICATED AND MAY NOT BE USED FOR ANY PURPOSE BY ANY OTHER PERSON OR FIRM WITHOUT WRITTEN PERMISSION FROM PARIS INCORPORATED.

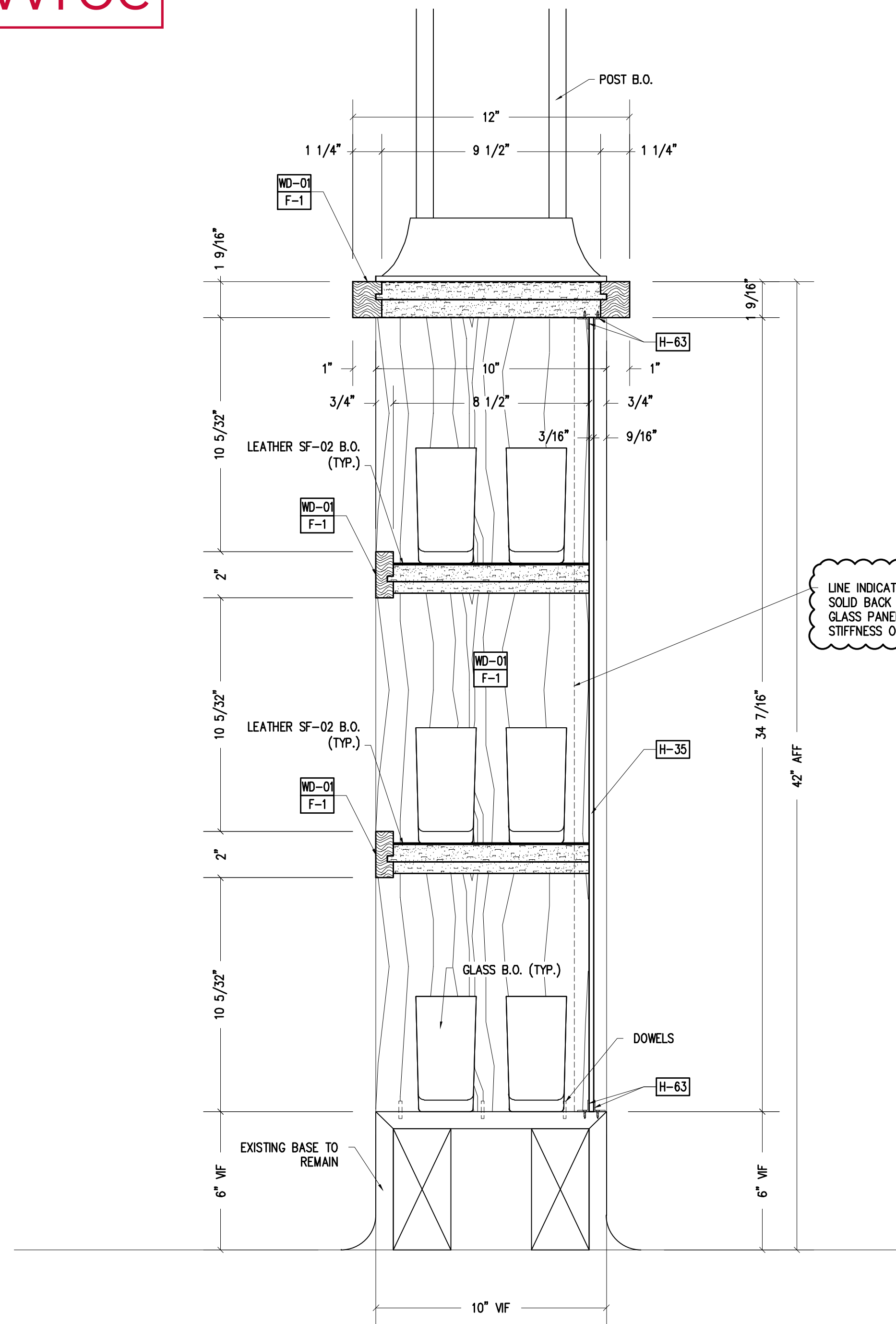
WRITTEN DIMENSIONS SHALL HAVE PRECEDENCE OVER SCALED DIMENSIONS IN ALL CASES, AND CONTRACTORS SHALL BE RESPONSIBLE FOR VERIFYING SUCH DIMENSIONS. CONTRACTORS SHALL ALSO BE RESPONSIBLE FOR NOTIFYING PARIS INCORPORATED OF ANY VARIATIONS IN DIMENSIONS OR JOB CONDITIONS FROM THOSE SHOWN ON THIS DRAWING.

ISSUE	DATE	ISSUE NOTES
1	11/03/17	Issued for Approval By JEFF S

REV	DATE	REVISION NOTES

TITLE BACK BAR ITEM #31, 32, 33		
By: PD	Date: 11/3/17	Set: 6 of 7
Job No.	Item:	Dwg. No.
Scale:	31 06	
As Noted		

< Wróc



LINE INDICATES SUGGESTED SOLID BACK BOARD BEHIND GLASS PANEL TO ACHIEVE STIFFNESS OF CABINET

NOTE TO ARCHITECT: PLEASE VERIFY

H33	BENDHEIM GLASS 3/16" THK TEXTURED AYRO 166 FLUTED (GL-02)
H34	1/8" DIAM. BOTTLE L. BRASS (MT-02)
H39	BACKBAR METAL FRAME (MT-02) TYPE 1
H40	BACKBAR METAL FRAME (MT-02) TYPE 2
H41	1/2" X 1/2" X 1/8" SATIN BRASS ANGLE (MT-02)
H43	1/2" X 1/2" L TRIM (MT-02)
H45	1" DIA SUPPORT (MT-02)

WOOD SPECIES	
WD-01	ARCH PROVIDE CONTROL SAMPLE FOR SPECIES / FIN MATCH
WD-02	ARCH PROVIDE CONTROL SAMPLE FOR SPECIES / FIN MATCH
WD-03	ARCH PROVIDE CONTROL SAMPLE FOR SPECIES / FIN MATCH
WD-4	
WD-5	
WD-6	
WD-7	1/4" x 1/2" x 3/4" MELAMINE BLACK
WD-8	1/4" x 1/2" x 3/4" MELAMINE WHITE
WD-9	
WD-10	SOLID WALNUT
WD-11	SOLID POPLAR
WD-12	SOLID ACCOVA (S.T.M. PT-66 CUSTOM RUSTY RED STAIN)
WD-13	3/4" CABINET GRADE BIRCH PLYWOOD
WD-14	1/2" PLYWOOD (BLOCKING, CLEATS, ETC.)
WD-15	3/4" (4 X 8) STOCK PLYWOOD (MOIST. RESIST)

PLASTIC LAMINATE	
PL-1	WILSONART #1591K-01 BLACK (HIGH GLOSS)
PL-2	
PL-3	
PL-4	
PL-5	
PL-6	

FINISH	
F-1	PER APPROVED SAMPLE
F-2	PER APPROVED SAMPLE
F-3	PRIME PAINT
F-4	CLEAR LACQUER
F-5	BLACK PAINT

STANDARD HARDWARE	
H-1	BUM HINGE 120° OVERLAY-73T5500 / PLATE 174H10
H-2	ACCURIDE DRAWER SLIDE - SLIDE-DR-ACC3832-20 / 16
H-3	SHelf PINS - CLIP-332-ANO
H-4	ALUM ANGLE 1 1/4" X 1 1/4" ANGLE-314-0
H-5	4" WIRE PULL - PULL-MC402-4-DC
H-6	IVES ELBOW CATCH - 1225-0176
H-7	TIMBERLINE LOCKS - TIMB-CB-241, TIMB-BZ-100, TIMB-LP-100
H-8	TOUCH LATCH - MLATCH
H-9	MAGNETIC CATCH - 12250174
H-10	C TOP JOINT FASTENER - JOINT-FASTENER
H-11	SCREW W. FIN WASHER
H-12	T-NUTS 1/4" X 20 - NUT-T-20-7/16
H-13	Z-CLIP - PANEL-CLIP (UNIT OF MEASURE IS LP)
H-14	Z-CLIP - PANEL-CLIP-3 (UNIT OF MEASURE IS EACH)
H-15	GROMMETS - GROMMET-BL-2
H-16	1 1/2" X 1 1/2" ALUMEN ANGLE
H-17	STANDARD - K.V. #87 ANO - 84" LONG
H-18	BRACKET - K.V. #187 ANO - 12" / CLIP - K.V. #211 ANO
H-19	FLANGE - K.V. #764 CHR (CHROME LOOK) FLANGE-764-CHR

PART RENTAL ID (PRID)	
H-20	HANGROD 1 5/16" DIA (CHROME LOOK) HANGROD-CHROM
H-21	PENDAFLEX CLIPS DRAWER-TOP-MOUNT-CLIP
H-22	PENDAFLEX FILE BAR DRAWER-FILEBAR
H-23	15/16" x 12/16" x 3/32" ANGLE #12250020 W/ PANEL-CLIP-3
H-24	TOE-KICK-4-36-PLASTIC INTERGRAL TOE KICK - 3" SET BACK
H-25	NO DRILLING BONDING FASTENER FOR SINK SINK-FAS-TENR
H-26	Z-SHAPED METAL CLIP FOR SINK SINK-Z-CLIP
H-27	WINGNUT FOR SINK FASTENER SINK-WINGNUT
H-28	KEEP NUT 1/4-20 (FOR SOLID SURFACE) KEEP-NUT-2S-1/4
H-29	KEEP NUT 1/4-20 KIT (FOR SOLID SURFACE) KEEP-NUT-1/4-KIT
H-30	
H-31	
H-32	
H-33	
H-34	

THE DETAILS, DESIGN AND PLANS ON THIS DRAWING ARE THE PROPERTY OF PARS INCORPORATED FOR THE SPECIFIC PROJECTS INDICATED AND MAY NOT BE USED FOR ANY PURPOSE BY ANY OTHER PERSON OR FIRM WITHOUT WRITTEN PERMISSION FROM PARS INCORPORATED.
 WRITTEN DIMENSIONS SHALL HAVE PRECEDENCE OVER SCALED DIMENSIONS IN ALL CASES, AND CONTRACTORS SHALL BE RESPONSIBLE FOR VERIFYING SUCH DIMENSIONS.
 CONTRACTORS SHALL ALSO BE RESPONSIBLE FOR NOTIFYING PARS INCORPORATED OF ANY VARIATIONS IN DIMENSIONS OR JOB CONDITIONS FROM THOSE SHOWN ON THIS DRAWING.

ISSUE	DATE	ISSUE NOTES
1	11/03/17	Issued for Approval By JEFF S

REV	DATE	REVISION NOTES
-----	------	----------------

19 Cross Section
 Scale : 3" = 1'-0" ITEM #32

PRELIMINARY
 Not For Fabrication

TITLE BACK BAR ITEM #31, 32, 33		
By: PD	Date: 11/3/17	Set: 7 of 7
Job No.	Item: 31	Dwg. No. 07
Scale: As Noted		