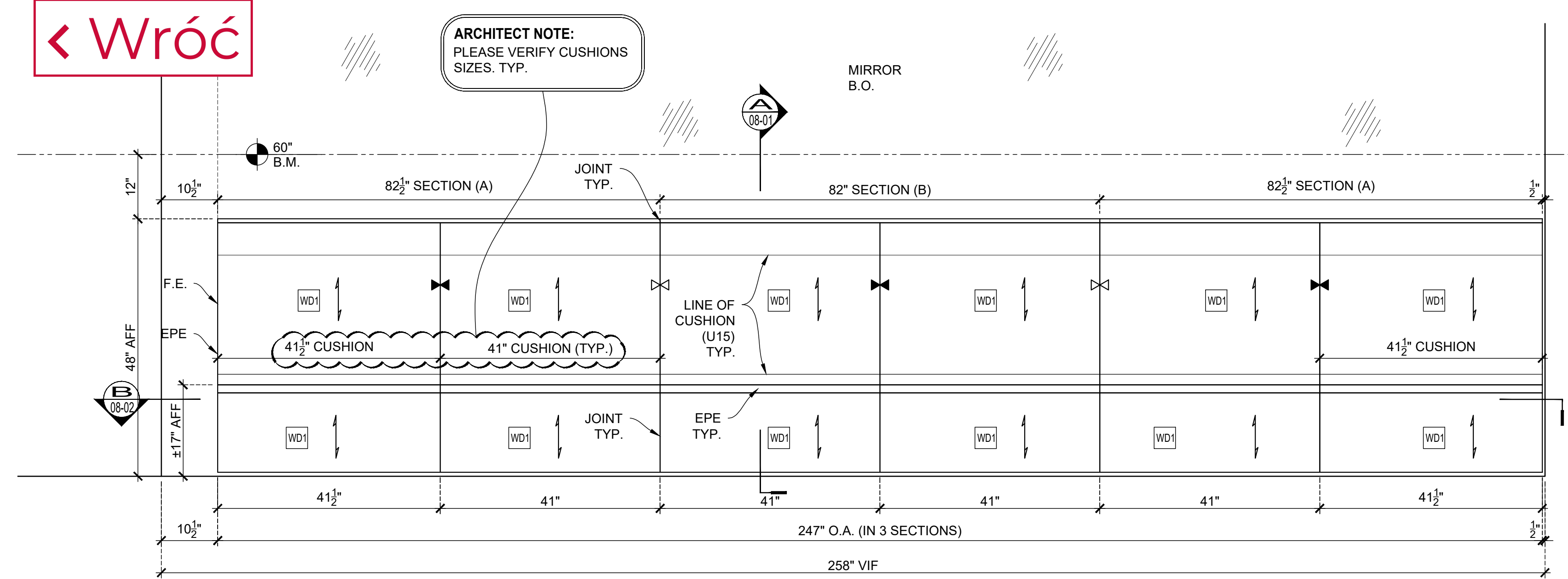


← Wróć

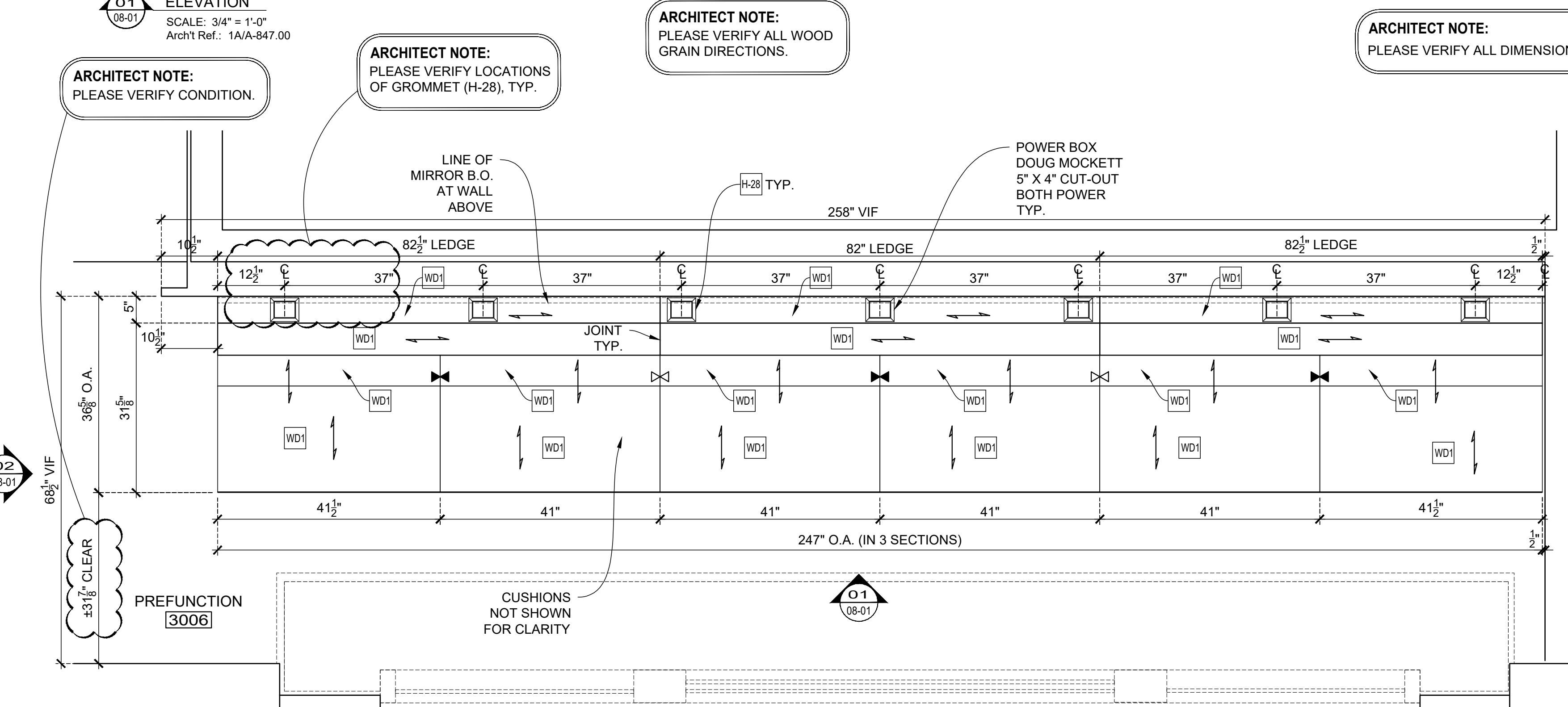
ARCHITECT NOTE:  
PLEASE VERIFY CUSHIONS  
SIZES, TYP.



O1  
ELEVATION  
SCALE: 3/4" = 1'-0"  
Arch'l Ref.: 1A/A-847.00

ARCHITECT NOTE:  
PLEASE VERIFY ALL WOOD  
GRAIN DIRECTIONS.

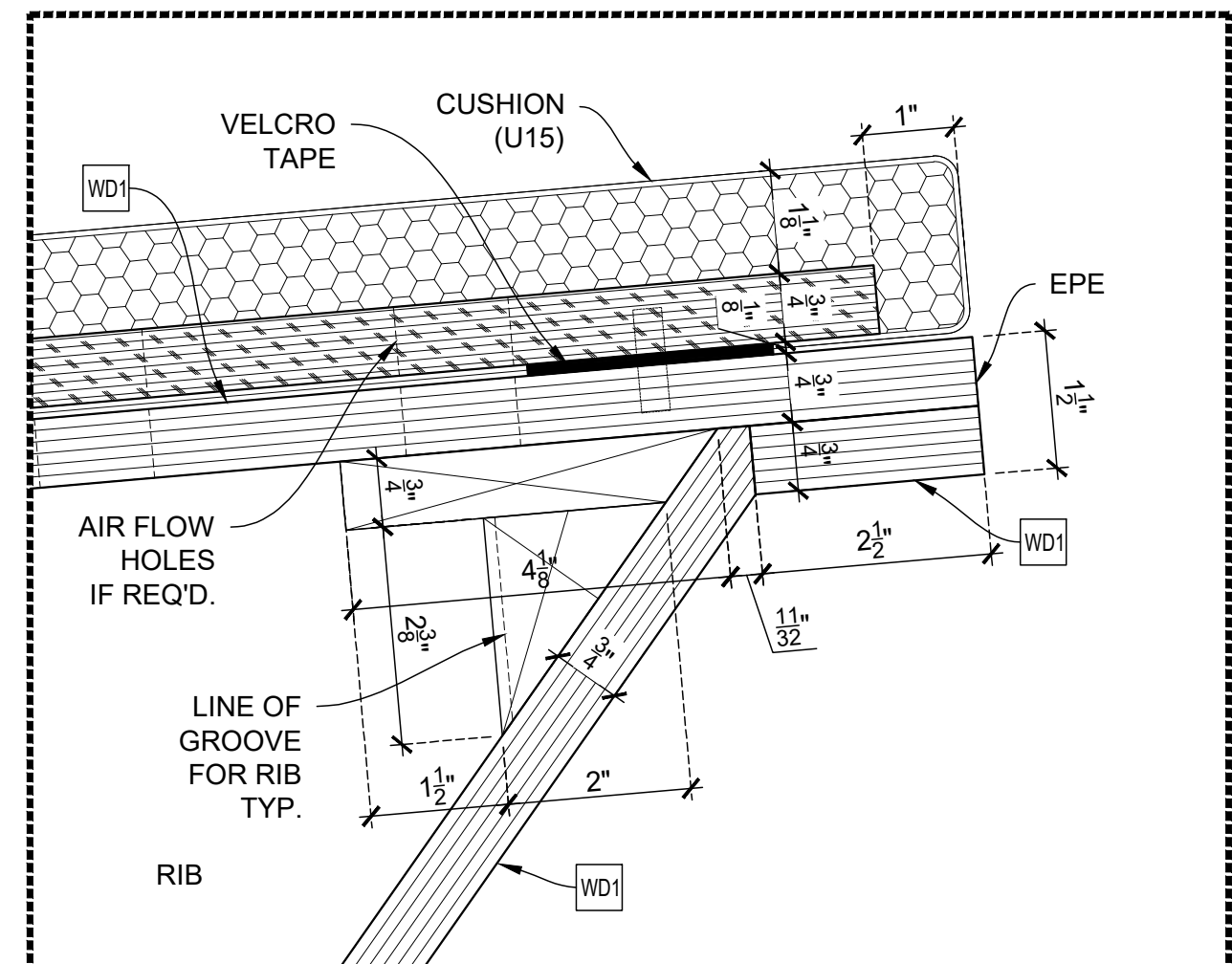
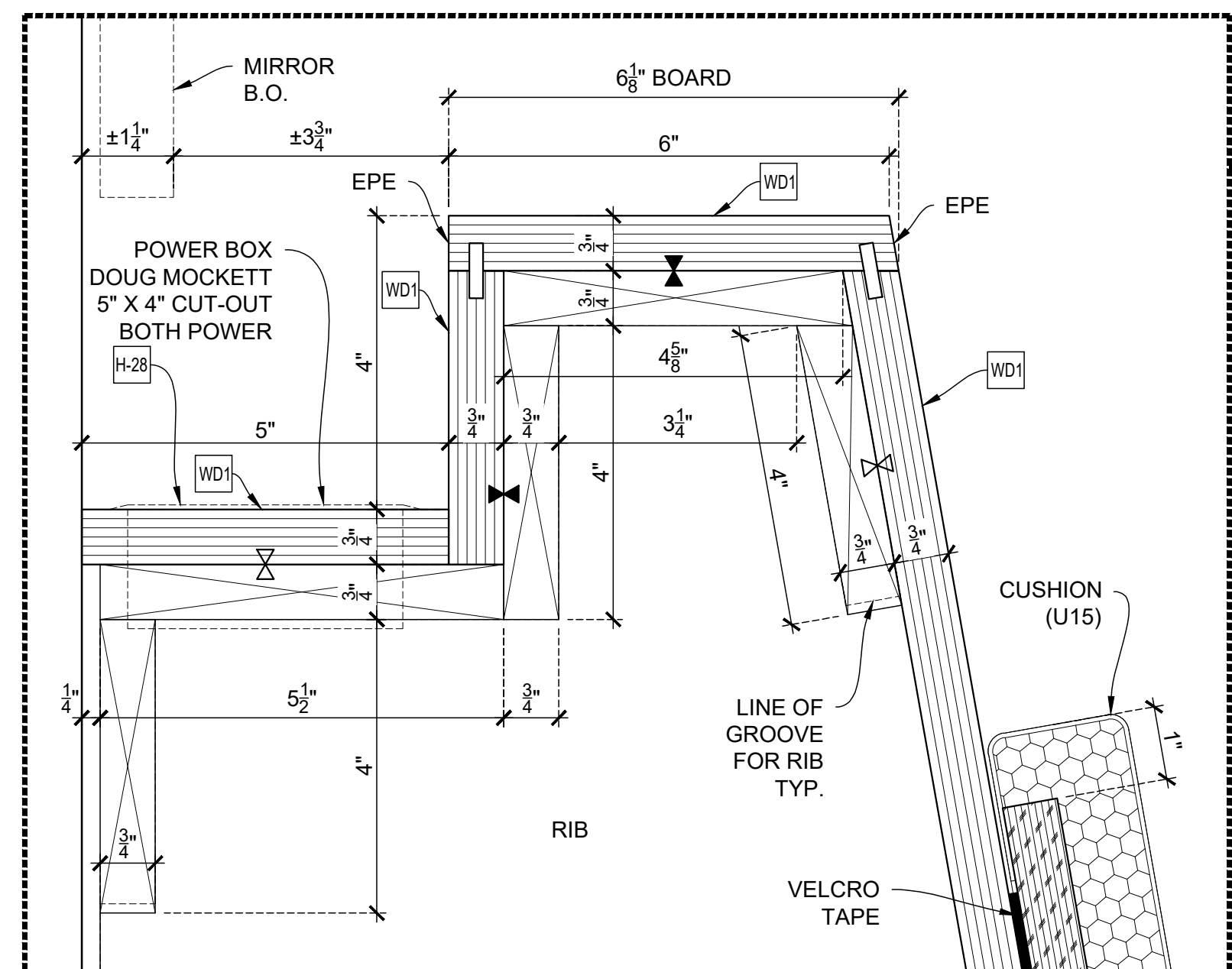
ARCHITECT NOTE:  
PLEASE VERIFY ALL DIMENSIONS.



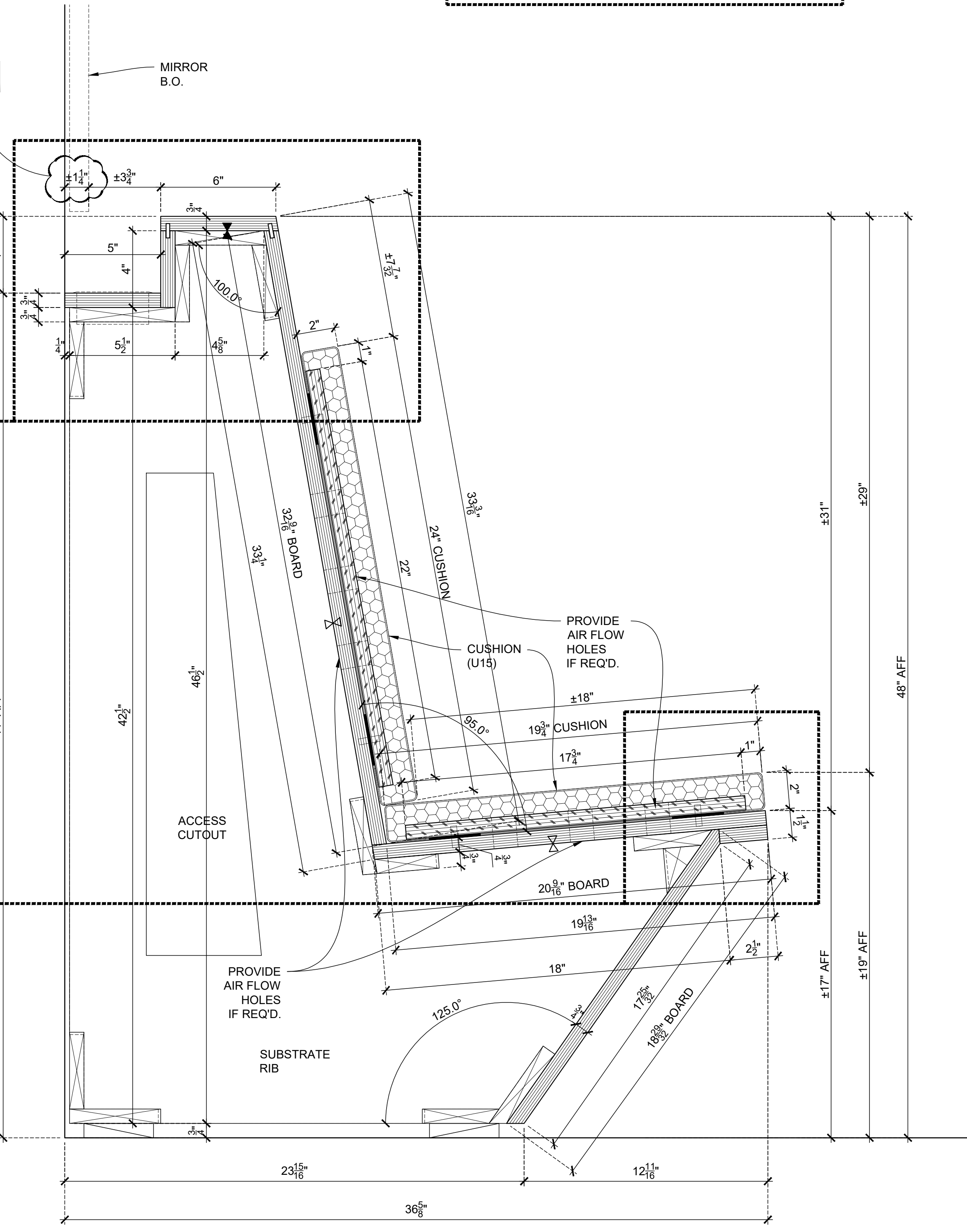
PLAN  
SCALE: 3/4" = 1'-0"  
Arch'l Ref.: A-101.00, 1A/A-847.00

O2  
ELEVATION  
SCALE: 3/4" = 1'-0"  
Arch'l Ref.: 1A/A-847.00

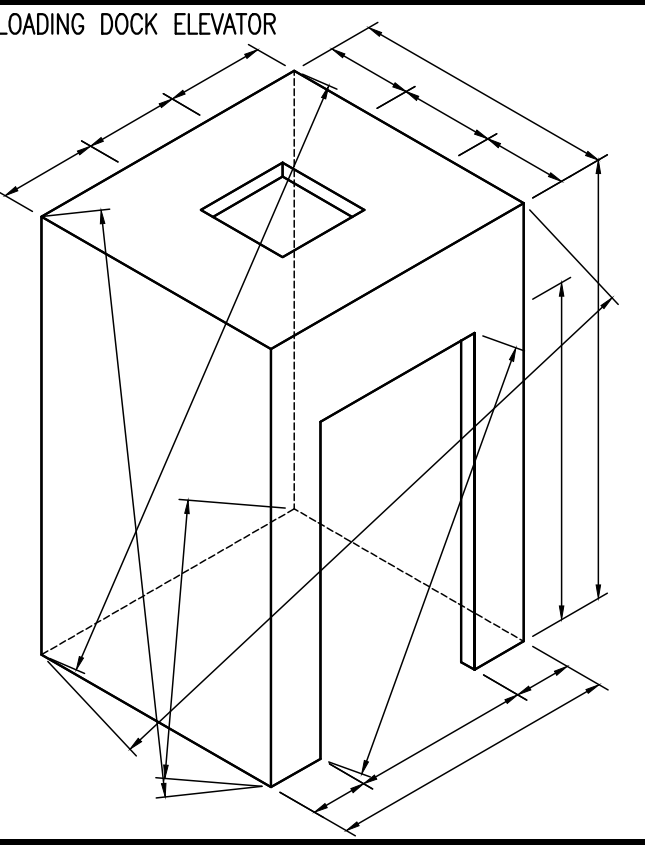
ARCHITECT/GC NOTE:  
PLEASE COORDINATE WITH  
MIRROR VENDOR/INSTALLER.



VERTICAL SECTION  
SCALE: 3" = 1'-0"  
Arch'l Ref.: 2/A-851.00



EPE - EXPOSED PLYWOOD EDGE



Loose to field  
Fixed in shop

THIS SPACE  
RESERVED  
FOR FINISH  
SCHEDULE

APPLIANCE:  
  
EXCLUSIONS:

DRAWING SUBMITTALS AND RETURNS				
DATE	PURPOSE	TO	RETURN	RETURN STATUS

DRAWING REVISIONS				
DATE	DESCRIPTION	REVISED BY	REVISOR	COMMENTS

RELEASES FOR FABRICATION	
DATE	DESCRIPTION

TITLE:  
ITEM NO:  
DESC.: PLAN, ELEVATION & SECTIONS  
DESC.: PREFUNCTION #3006

By: PD Scale: As Noted Job No. Dwg. No. 08-01  
Status: In Submittal Review Date: 2018-12-19









## REVISION CHECKLIST

BY	DATE	CHECKLIST FOR DRAWING REVISIONS	COMMENTS
		ALL REDLINE REVISIONS MADE AND HIGHLIGHTED ON PRINTED COPY	
		ALL IMPLICATIONS OF REDLINE MARKUPS CONSIDERED AND CORRECTED	
		ENGINEERING MANAGER NOTIFIED VIA EMAIL OF ALL POSSIBLE CHANGE ORDERS	
		ALL VISIBLE MILLWORK ELEVATED INCLUDING FINISHED END PANELS AND SOFFITS	
		PLAN AND VERTICAL SECTIONS CROSS CHECKED FOR ACCURACY	
		ALL MARKERS AND TAGS CHECKED AND VERIFIED TO BE CORRECT	
		ALL GRAIN DIRECTIONS CLEARLY INDICATED INCLUDING WOOD, METAL, AND PLAM FINISHES	
		APPLIANCES CHECKED AGAINST CUTS AND CUSTOM PANEL DRAWINGS CREATED AS NEEDED	
		DOOR HARDWARE SHOWN TO THE EXTENT POSSIBLE PER HARDWARE SCHEDULE AND CUTS	
		HARDWARE LOCATIONS DIMENSIONED OR REQUESTED FROM ENGINEERING MANAGER	
		ALL CABINET HARDWARE ACCURATELY LISTED INCLUDING FINISHES	
		ALL FINISHES ACCURATELY LISTED , INDICATED ON DRAWINGS, AND ASSIGNED TO SERIES	
		MATERIALS CHECKED AGAINST SCOPE TO VERIFY WHETHER PROVIDED BY MB	
		ALL NECESSARY FIELD DIMENSIONS INDICATED ON DRAWINGS	
		ALL FIELD DIMENSIONS APPLIED, ALL VIF DIMENSIONS REPLACED WTH FD	
		ENGINEERING MANAGER NOTIFIED OF MISSING FIELD DIMENSIONS	
		ALL +- INDICATIONS REMOVED EXCEPT WHERE SCRIBE IS INVOLVED	
		ALL LOOSE JOINTS INDICATED CLEARLY	
		COMPONENT SIZES CHECKED AGAINST ELEVATOR SIZE TO ENSURE ACCESS	
		UNUSED GEOMETRY DELETED FROM DRAWING	
		UNUSED PAPERSPACE TABS DELETED FROM DRAWING	
		ALL RESOLVED QUESTIONS, CLOUDS, AND NOTES REMOVED FROM DRAWING	
		ENGINEERING MANAGER NOTIFIED BY EMAIL OF ANY NEW ISSUES WHICH REQUIRE ANSWERS	
		ITEMS READY FOR FABRICATION CLEARLY INDICATED OR ITEMS ON HOLD CLEARLY INDICATED	

USE ATTRIBUTE EDIT COMMAND ON AN ITEM TO EDIT USERNAME, DATE, AND COMMENTS

✓	DZALE	2017-MM-DD	CHECKLIST ITEM	NO FOLLOW UP NEEDED
🔥	dzale	2017-MM-DD	CHECKLIST ITEM	NEEDS FOLLOW UP
✓	NA	NA	CHECKLIST ITEM	NOT APPLICABLE

Date Drawn:	X	Dwg#	X
Drawn by:	X		