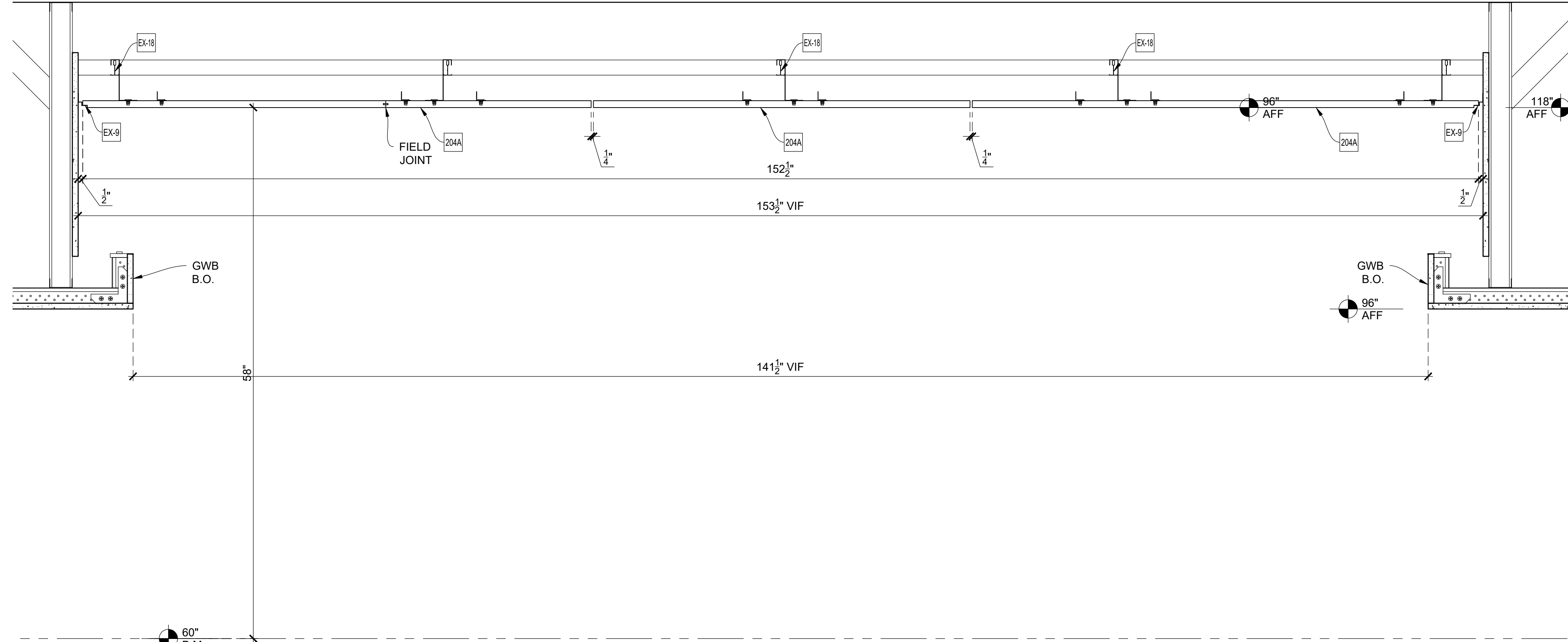
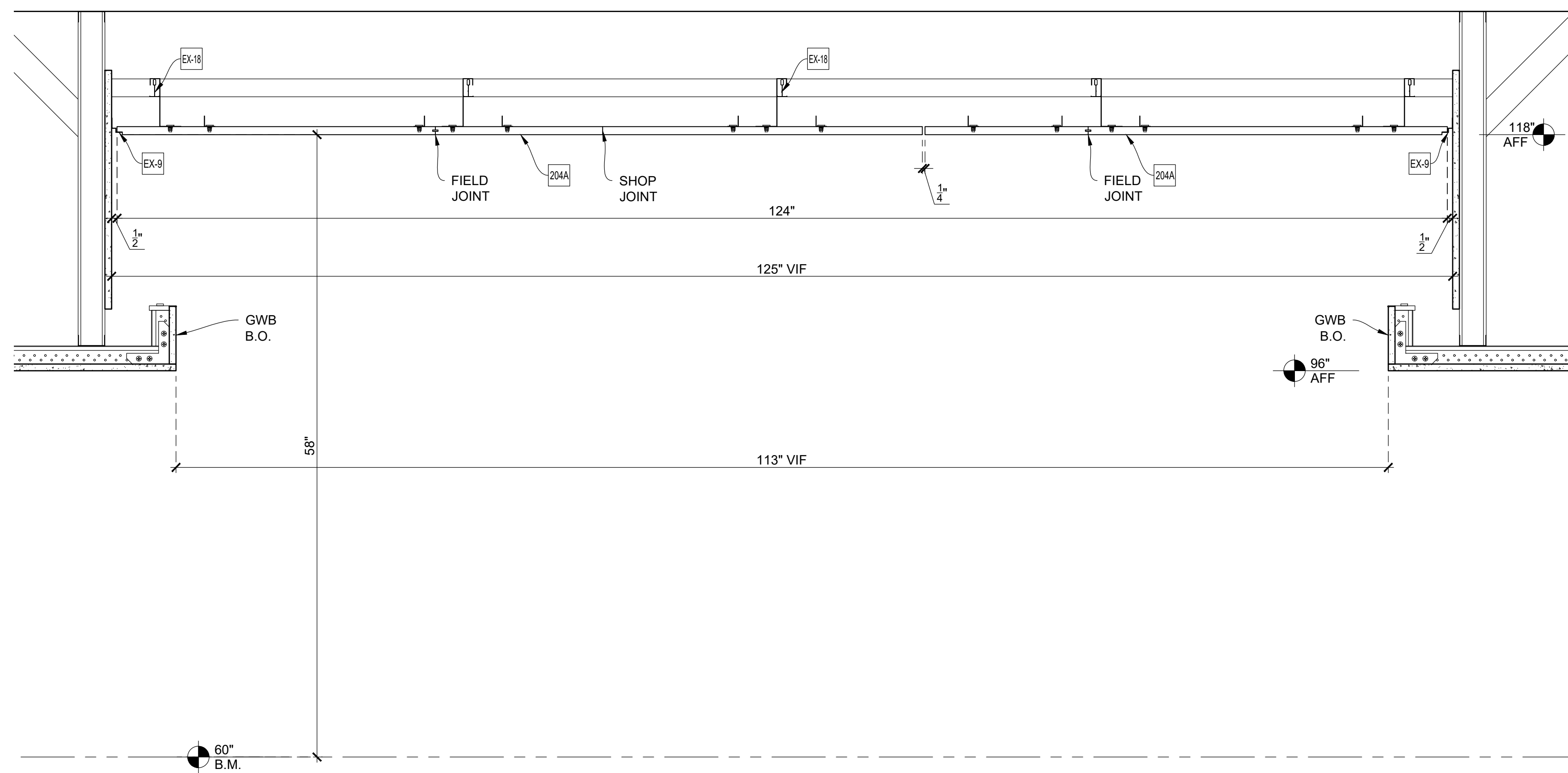


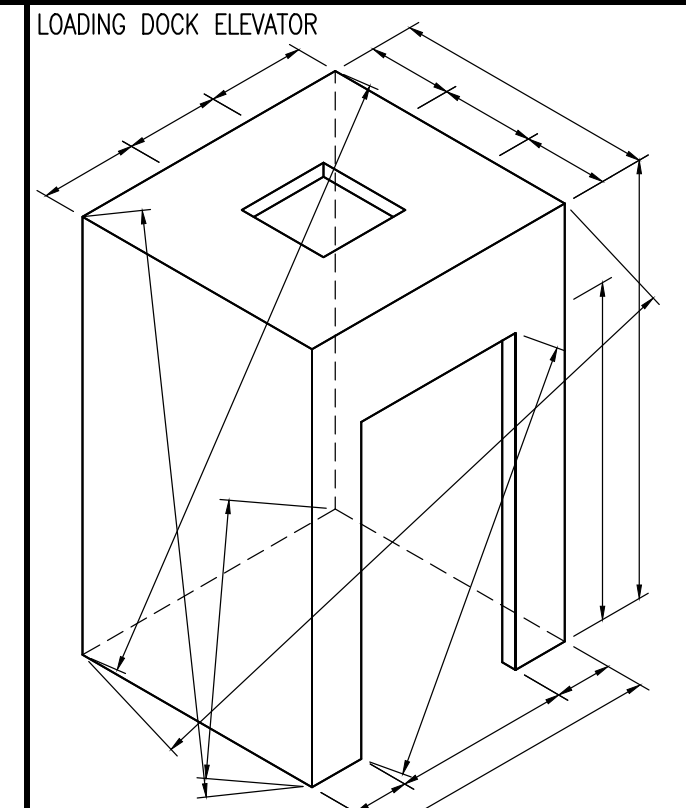
16-01 REFLECTED CEILING PLAN  
SCALE: 1/2" = 1'-0"  
Arch1 Ref.: 1/A-402, 2/A615



16-01 VERTICAL SECTION  
SCALE: 1/12" = 1'-0"  
Arch1 Ref.: NONE



16-01 VERTICAL SECTION  
SCALE: 1/12" = 1'-0"  
Arch1 Ref.: NONE



Loose to field  
Fixed in shop

THIS SPACE RESERVED FOR FINISH SCHEDULE

- EXCLUSIONS:
- EX-3 SHADOW LINE MOLDING
  - EX-10 LIGHT FIXTURE LUCIFER LIGHTNING (LA-114)
  - EX-11 LIGHT FIXTURE OCLUA1-CINA (LA-113)
  - EX-12 PERIMETER TRIM
  - EX-13 LIGHT FIXTURE USAI 3153 AC1 (LA-1038)
  - EX-14 SOUND MASKING SYSTEM, LENCORE, SPECTRA I NET
  - EX-15 CEILING MOUNTED MICROPHONE, BASIS OF DESIGN, AUDIX WSW
  - EX-16 SPRINKLER HEAD
  - EX-17 OCCUPANCY SENSOR
  - EX-18 HEAVY DUTY T-BAR
  - EX-20 CEILING MOUNTED SPEAKER (S)
  - EX-21 CEILING MOUNTED DUAL-TECHNOLOGY VACANCY SENSOR (VS)

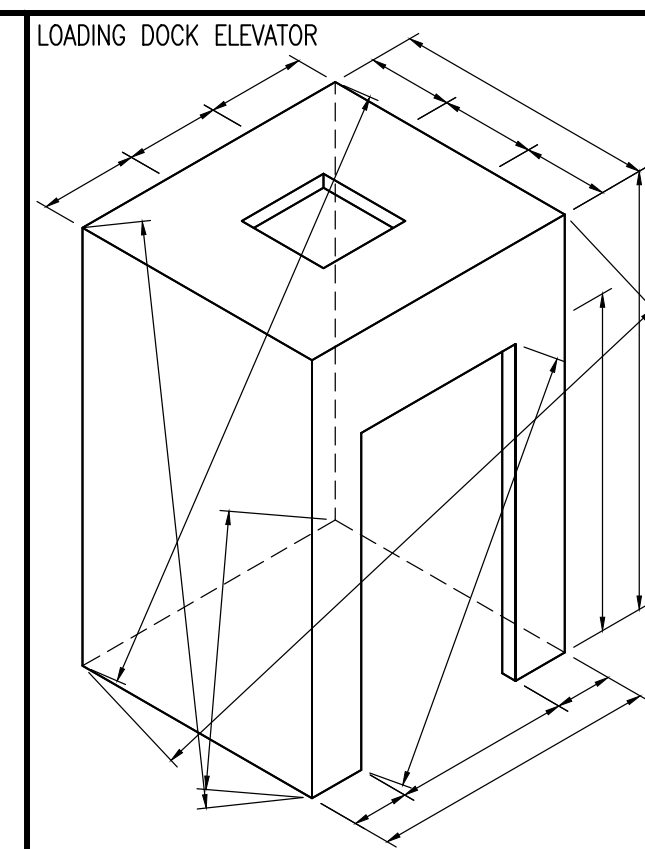
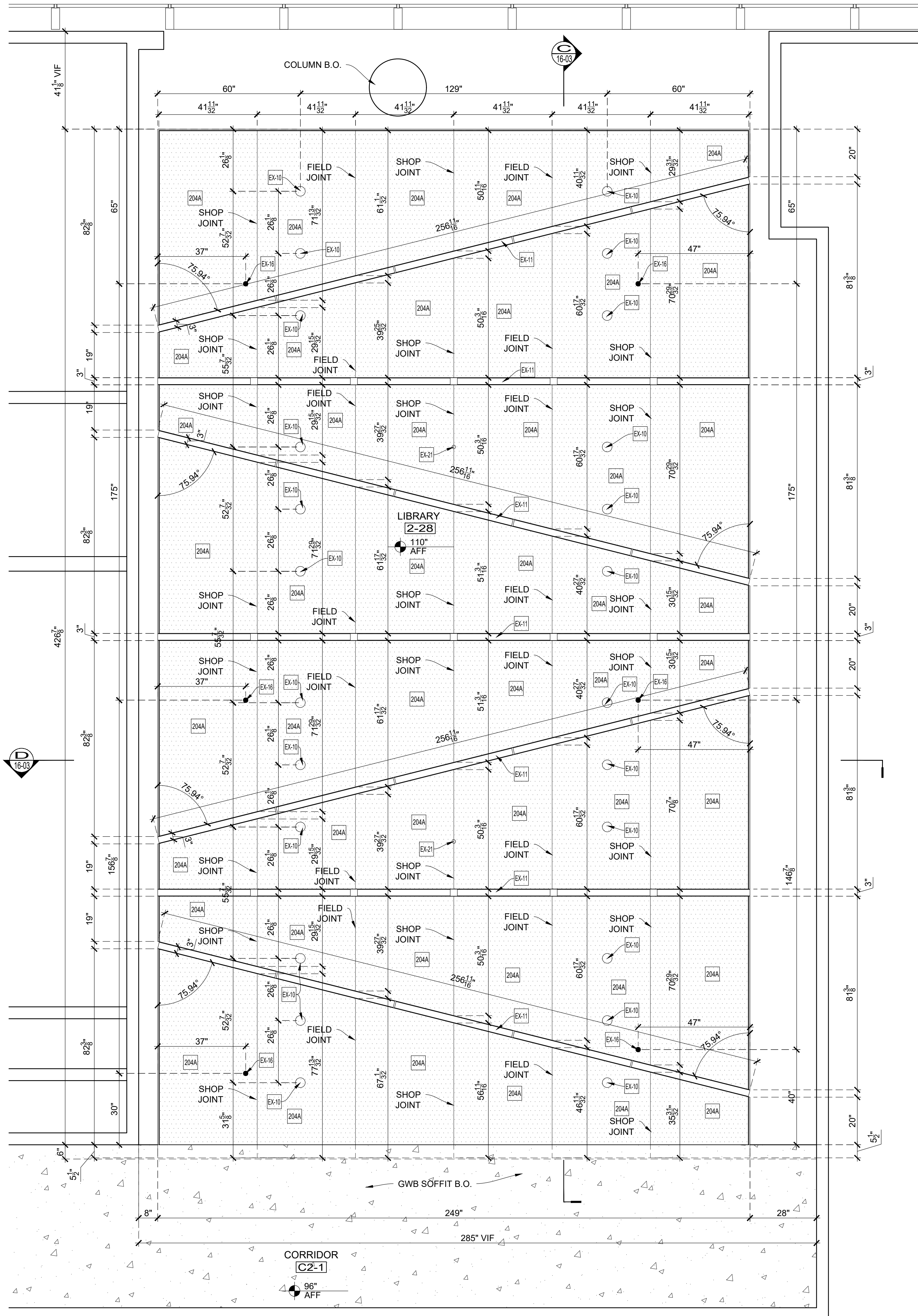
DRAWING SUBMITTALS AND RETURNS				
DATE	PURPOSE	TO	RETURN	RETURN STATUS

DRAWING REVISIONS				
DATE	DESCRIPTION	REVISED BY	COMMENTS	
1				
2				
3				
4				
5				
6				
7				
8				
9				
10				

RELEASES FOR FABRICATION	
DATE	DESCRIPTION

THIS SPACE RESERVED FOR HARDWARE SCHEDULE

THIS SPACE RESERVED FOR GENERAL NOTES



Loose to field  
 Fixed in shop

**EXCLUSIONS:**

EX-3	SHADOW LINE MOLDING
EX-10	LIGHT FIXTURE LUCIFER LIGHTNING (LA-114)
EX-11	LIGHT FIXTURE OCL-U1-CINA (LA-113)
EX-12	PERIMETER TRIM
EX-13	LIGHT FIXTURE USAI 3153 AC1 (LA-1038)
EX-14	SOUND MASKING SYSTEM, LENCORE, SPECTRA I NET
EX-15	CEILING MOUNTED MICROPHONE, BASIS OF DESIGN, AUDIX W3W
EX-16	SPRINKLER HEAD
EX-17	OCCUPANCY SENSOR
EX-18	HEAVY DUTY T-BAR
EX-20	CEILING MOUNTED SPEAKER (S)
EX-21	CEILING MOUNTED DUAL-TECHNOLOGY VACANCY SENSOR (VS)

**DRAWING SUBMITTALS AND RETURNS**

DATE	PURPOSE	TO	RETURN	RETURN STATUS

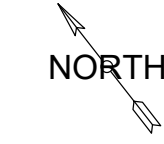
**DRAWING REVISIONS**

DATE	DESCRIPTION	REVISED BY	COMMENTS
1			
2			
3			
4			
5			
6			
7			
8			
9			
10			

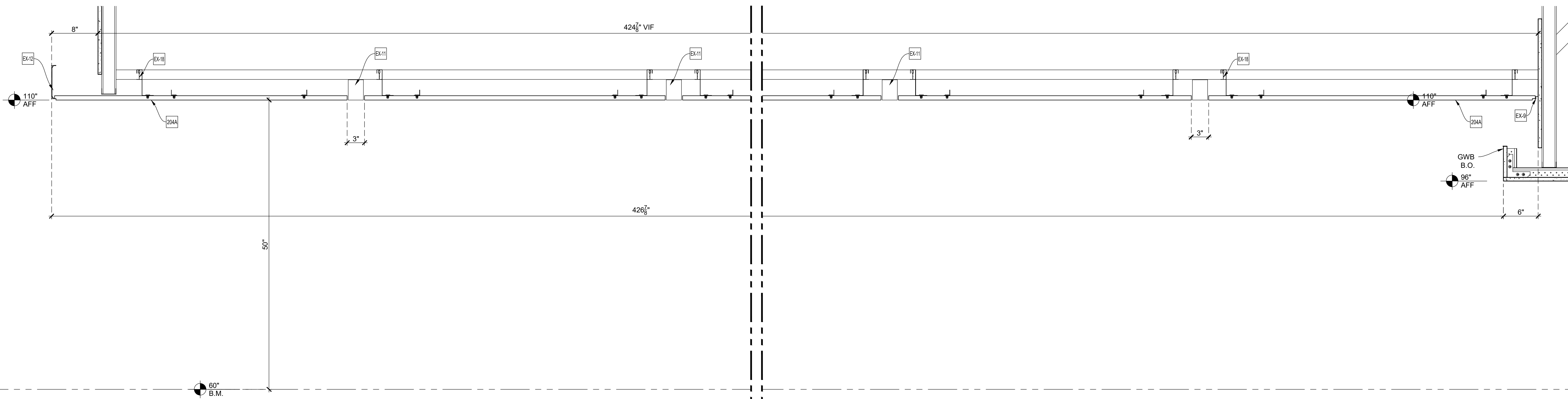
**RELEASES FOR FABRICATION**

DATE	DESCRIPTION

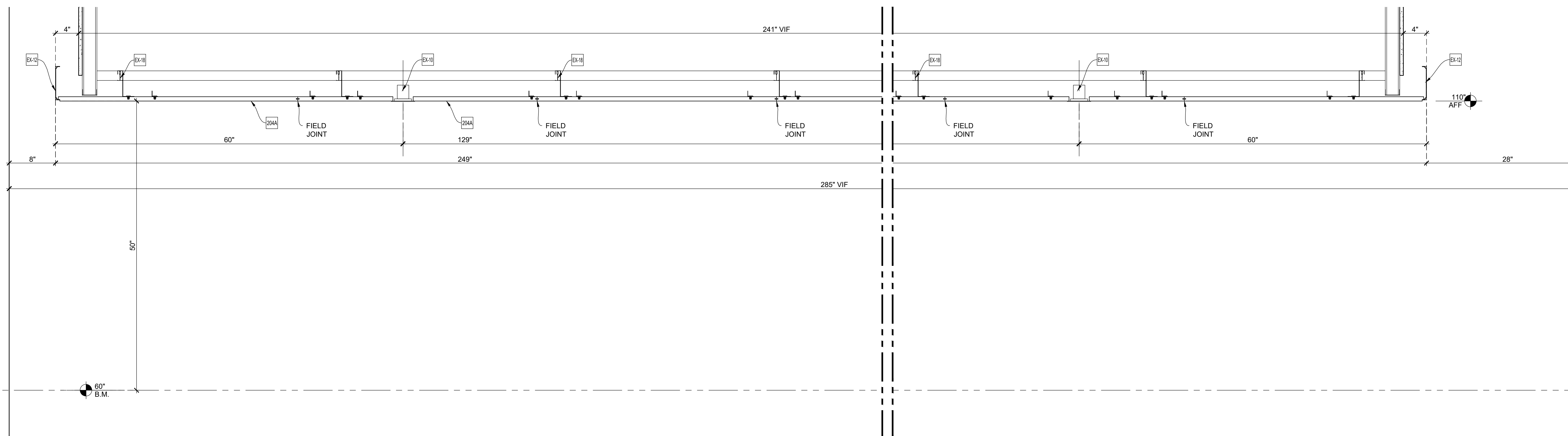
**16A** REFLECTED CEILING PLAN  
 SCALE: 1/2" = 1'-0"  
 Arch't Ref.: 1/A-402, 2/A615



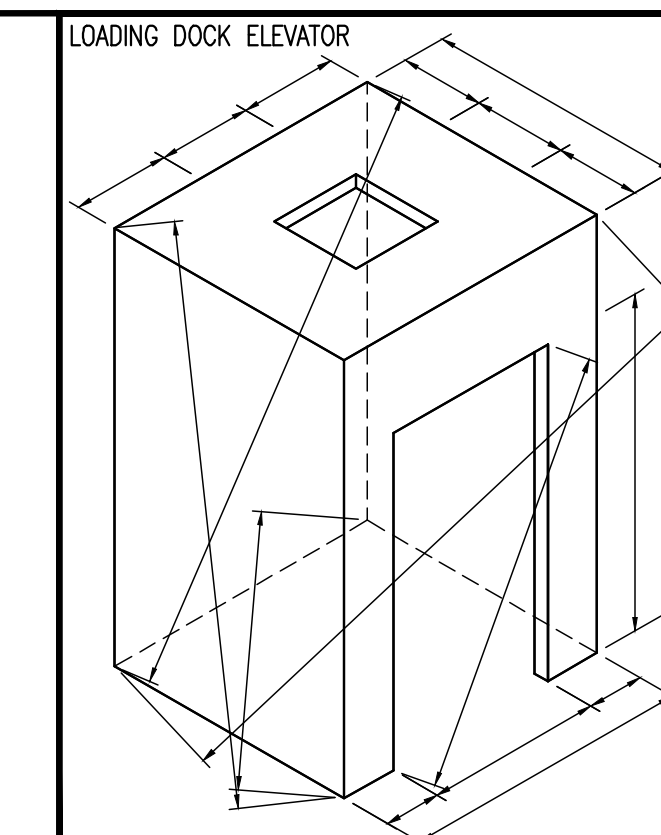
< Wróć



**C-16-05**  
VERTICAL SECTION  
SCALE: 1-1/2" = 1'-0"  
Arch1 Ref.: 8, 10/A-656



**D-16-07**  
VERTICAL SECTION  
SCALE: 1-1/2" = 1'-0"  
Arch1 Ref.: 2/A-609, 5/A-650



LOADING DOCK ELEVATOR  
 ☒ Loose to field  
 ☒ Fixed in shop

THIS SPACE  
 IS RESERVED  
 FOR FINISH  
 SCHEDULE

**EXCLUSIONS:**

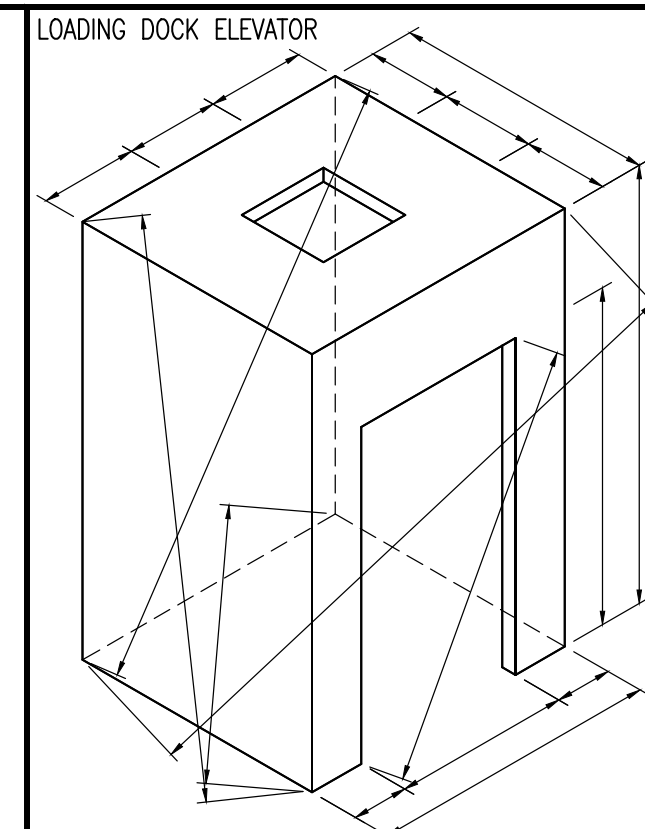
- EX-3 SHADOW LINE MOLDING
- EX-10 LIGHT FIXTURE LUCIFER LIGHTINGS (LA-114)
- EX-11 LIGHT FIXTURE OCL-UAT-CINA (LA-113)
- EX-12 PERIMETER TRIM
- EX-13 LIGHT FIXTURE USAI 3153 AC1 (LA-1038)
- EX-14 SOUND MASKING SYSTEM LENCORE, SPECTRA I NET
- EX-15 CEILING MOUNTED MICROPHONE, BASIS OF DESIGN, AUDIX WSW
- EX-16 SPRINKLER HEAD
- EX-17 OCCUPANCY SENSOR
- EX-18 HEAVY DUTY T-BAR
- EX-20 CEILING MOUNTED SPEAKER (S)
- EX-21 CEILING MOUNTED DUAL-TECHNOLOGY VACANCY SENSOR (VS)

DRAWING SUBMITTALS AND RETURNS				
DATE	PURPOSE	TO	RETURN	RETURN STATUS

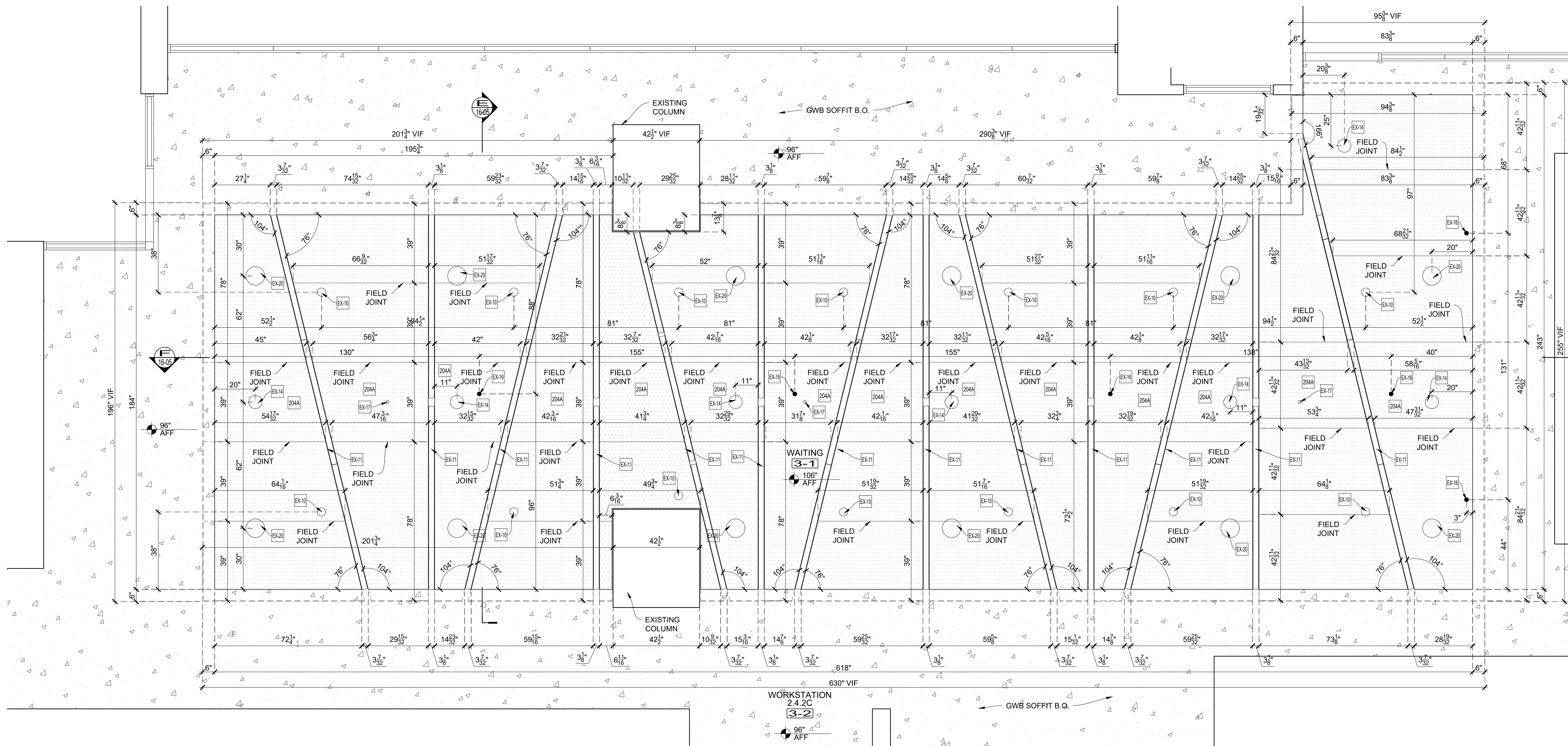
DRAWING REVISIONS				
DATE	DESCRIPTION	REVISED BY	COMMENTS	
1				
2				
3				
4				
5				
6				
7				
8				
9				
10				

RELEASES FOR FABRICATION	
DATE	DESCRIPTION

TITLE:  
 ITEM NO:  
 DESC.: SECTIONS  
 DESC.: CEILING PANELS AT LIBRARY 2-28  
 By: PD Scale: As Noted Job No. Dwg. No.  
 Status: In Submittal Review Date: 2018-10-11 **16-03**



Loose to field  
 Fixed in shop



**16B**  
 16-04  
 REFLECTED CEILING PLAN  
 SCALE: 1/2" = 1'-0"  
 Archt Ref.: 1/A-403, 3/A616



CEILING SPACE  
 FOR FINISH  
 CEILING

- EXCLUSIONS:**
- EX-3 SHADOW LINE MOLDING
  - EX-10 LIGHT FIXTURE LUCIFER LIGHTNING (LA-114)
  - EX-11 LIGHT FIXTURE OCLJ-A1-CINA (LA-113)
  - EX-12 PERIMETER TRIM
  - EX-13 LIGHT FIXTURE USAI 3153 AC1 (LA-1038)
  - EX-14 SOUND MASKING SYSTEM, LENCORE, SPECTRA I NET
  - EX-15 CEILING MOUNTED MICROPHONE, BASIS OF DESIGN, AUDIX W3W
  - EX-16 SPRINKLER HEAD
  - EX-17 OCCUPANCY SENSOR
  - EX-18 HEAVY DUTY T-BAR
  - EX-19 CEILING MOUNTED SPEAKER (S)
  - EX-21 CEILING MOUNTED DUAL-TECHNOLOGY VACANCY SENSOR (VS)

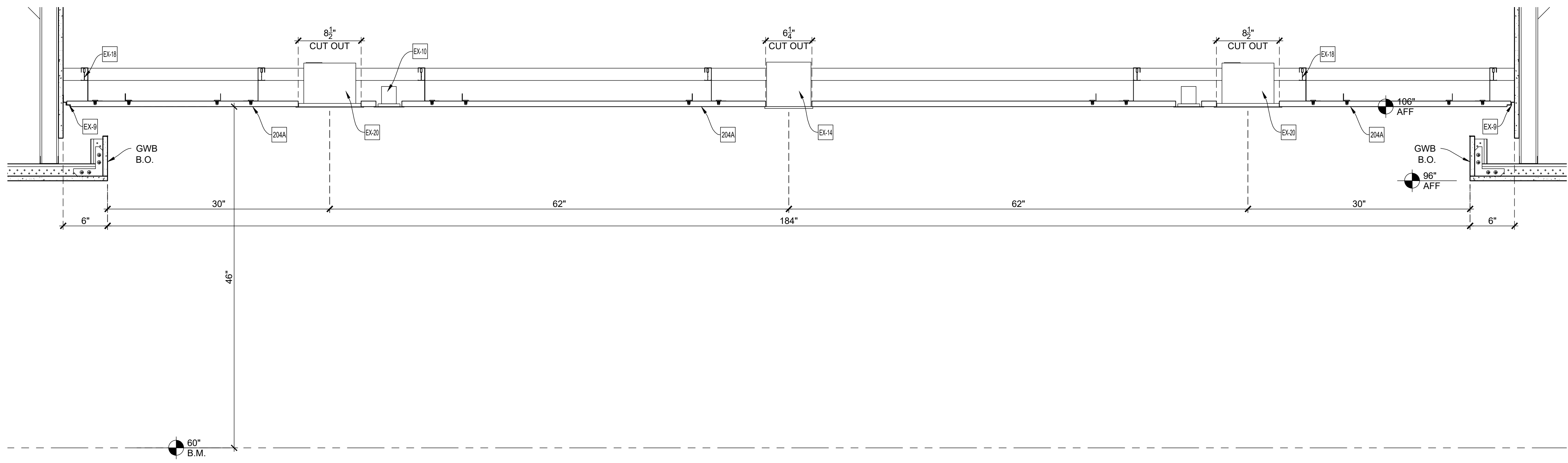
DRAWING SUBMITTALS AND RETURNS				
DATE	PURPOSE	TO	RETURN	RETURN STATUS

DRAWING REVISIONS			
DATE	DESCRIPTION	REVISED BY	COMMENTS
1			
2			
3			
4			
5			
6			
7			
8			
9			
10			

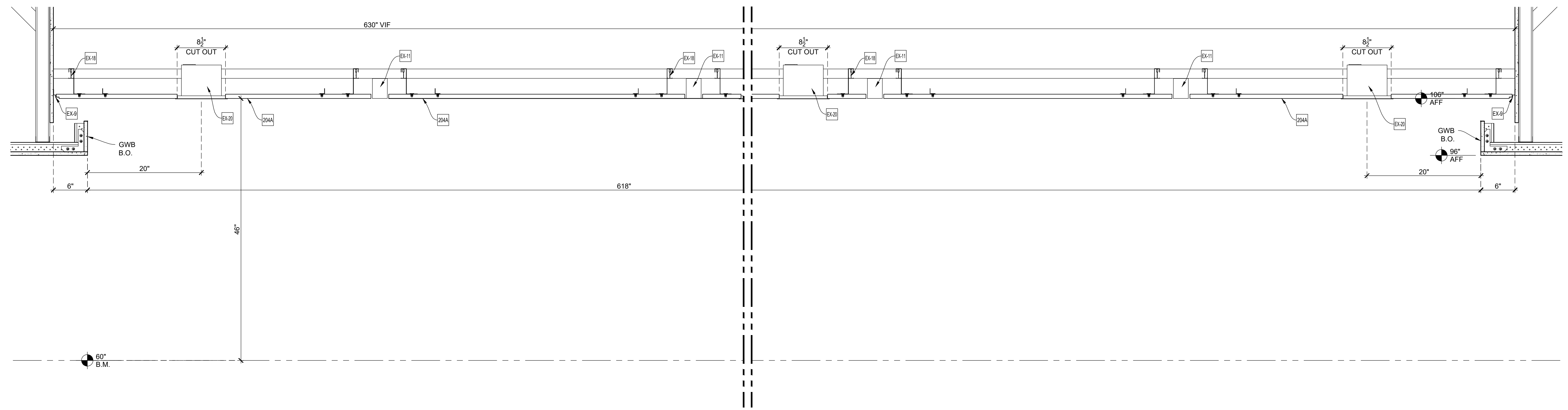
RELEASES FOR FABRICATION	
DATE	DESCRIPTION

TITLE:  
 ITEM NO:  
 DESC.: PLAN  
 DESC.: CEILING PANELS AT WAITING 3-1  
 By: PD Scale: As Noted Job No. Dwg. No.  
 Status: In Submittal Review Date: 2018-10-11 **16-04**

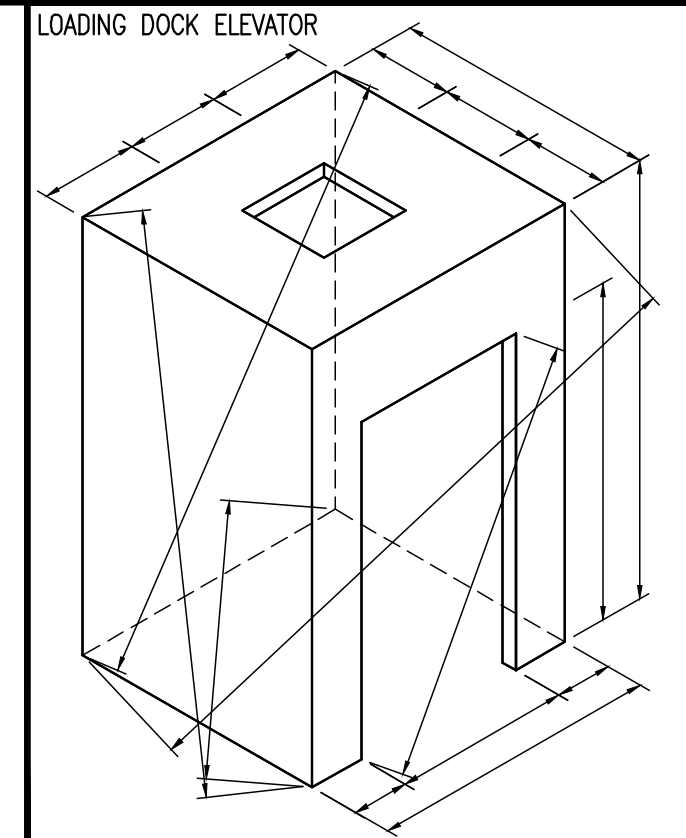
< Wróć



VERTICAL SECTION  
SCALE: 1-1/2" = 1'-0"  
Arch't Ref.: 8/A-656



VERTICAL SECTION  
SCALE: 1-1/2" = 1'-0"  
Arch't Ref.: NONE



Loose to field  
Fixed in shop

THIS SPACE  
SERVES  
FOR FINISH  
SCHEDULE

EXCLUSIONS:

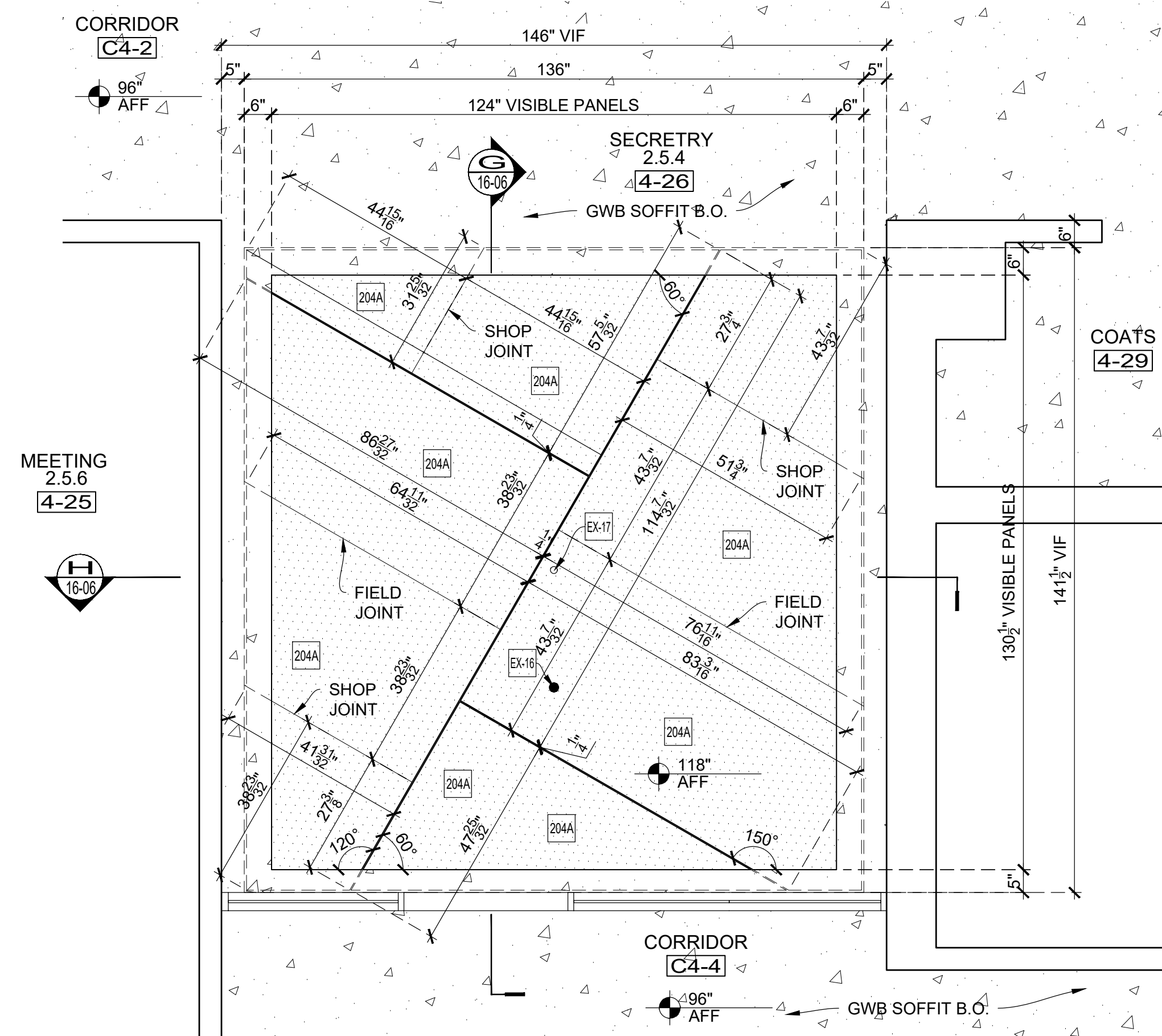
EX-3	SHADOW LINE MOLDING
EX-10	LIGHT FIXTURE LUCIFER LIGHTNINGS (LA-114)
EX-11	LIGHT FIXTURE OCL-UJ1-CINA (LA-113)
EX-12	PERIMETER TRIM
EX-13	LIGHT FIXTURE USAI 3153 AC1 (LA-1038)
EX-14	SOUND MASKING SYSTEM LENCORE, SPECTRA I NET
EX-15	CEILING MOUNTED MICROPHONE, BASIS OF DESIGN, AUDIX WSW
EX-16	SPRINKLER HEAD
EX-17	OCCUPANCY SENSOR
EX-18	HEAVY DUTY T-BAR
EX-20	CEILING MOUNTED SPEAKER (S)
EX-21	CEILING MOUNTED DUAL-TECHNOLOGY VACANCY SENSOR (VS)

DRAWING SUBMITTALS AND RETURNS				
DATE	PURPOSE	TO	RETURN	RETURN STATUS

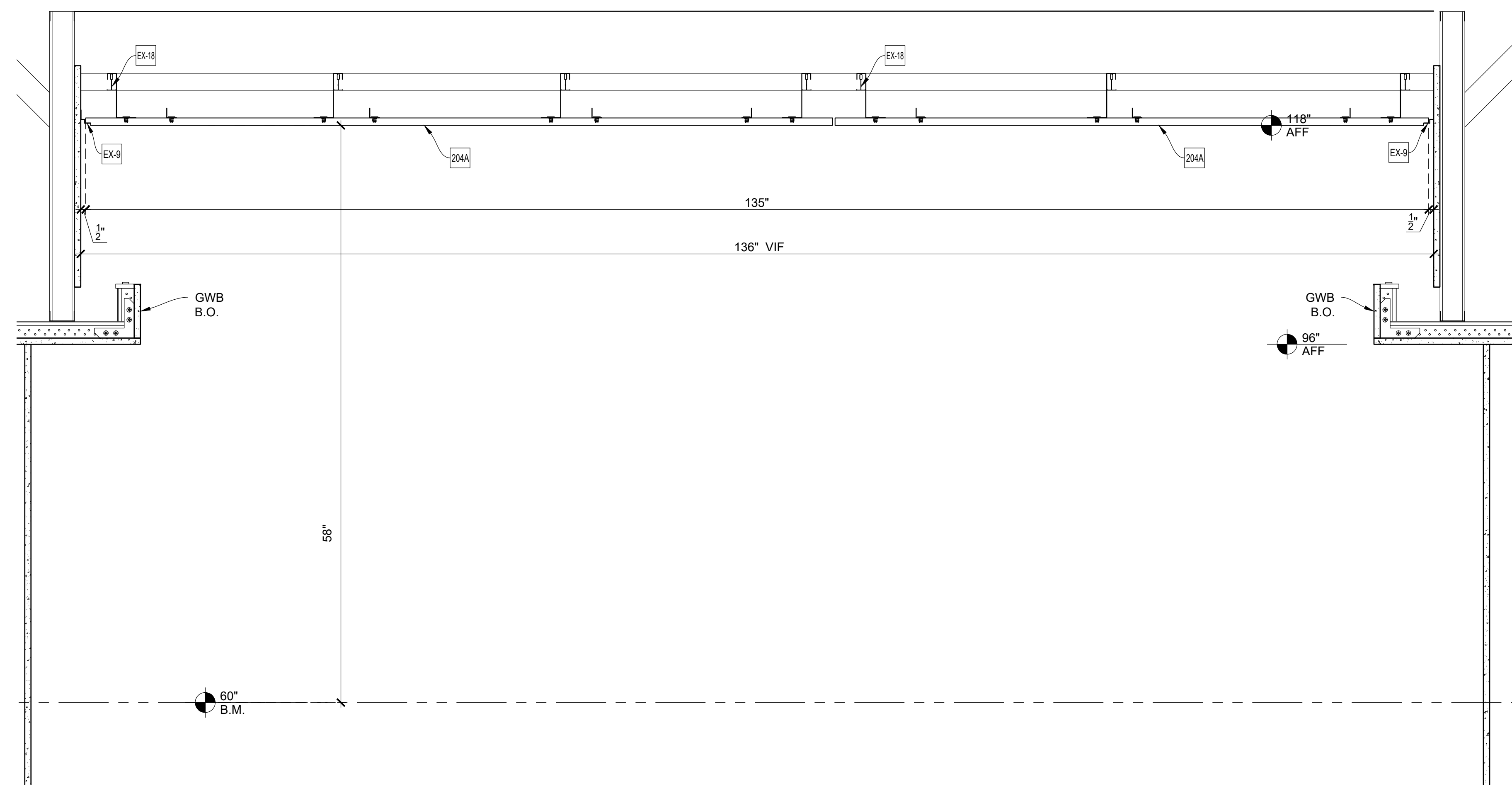
DRAWING REVISIONS				
DATE	DESCRIPTION	REVISED BY	COMMENTS	
1				
2				
3				
4				
5				
6				
7				
8				
9				
10				

RELEASES FOR FABRICATION	
DATE	DESCRIPTION

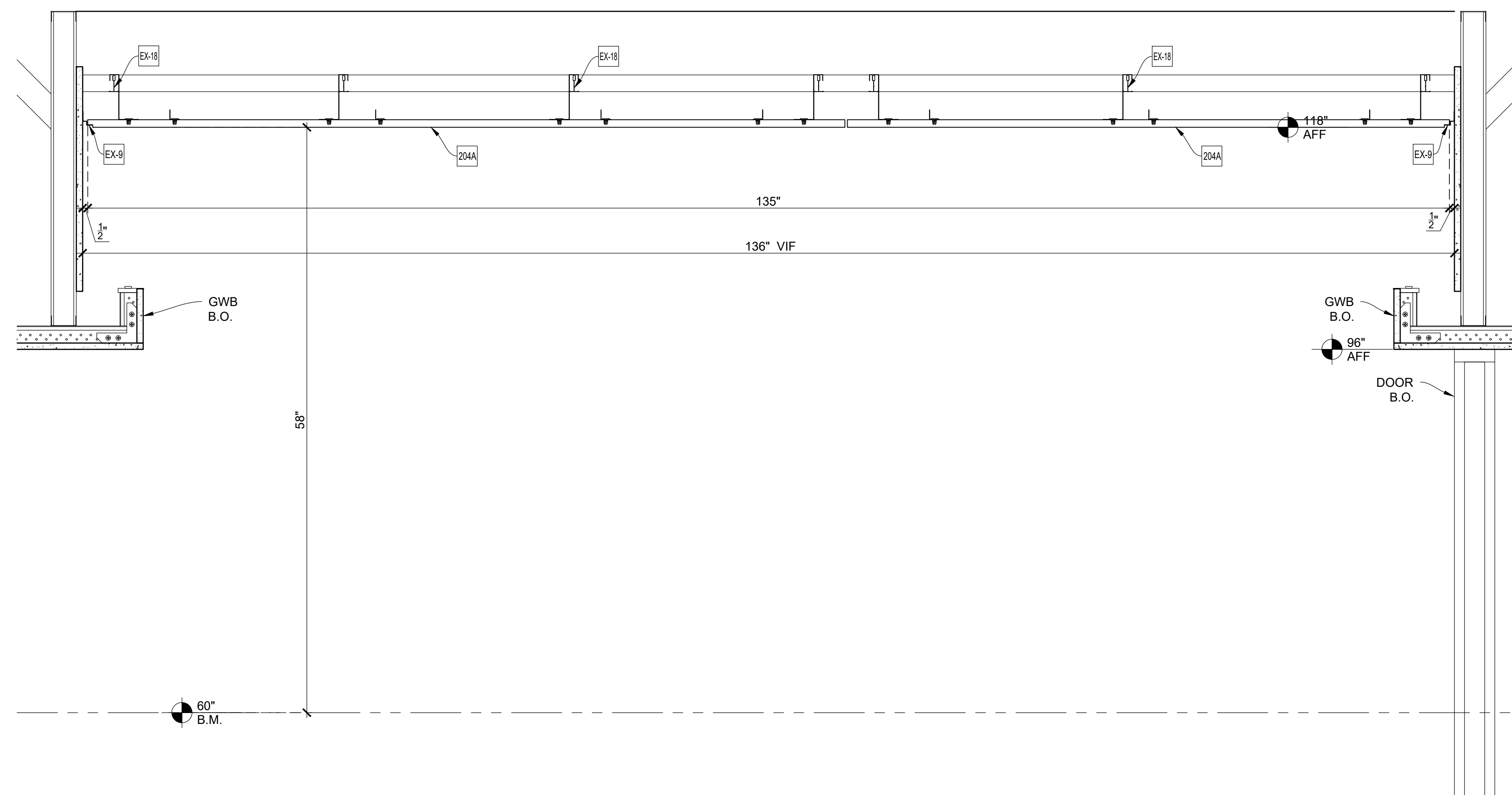
TITLE:  
ITEM NO:  
DESC.: PLAN  
DESC: CEILING PANELS AT WAITING 3-1  
By: PD Scale: As Noted Job No. Dwg. No.  
Status: In Submittal Review Date: 2018-10-11 16-05



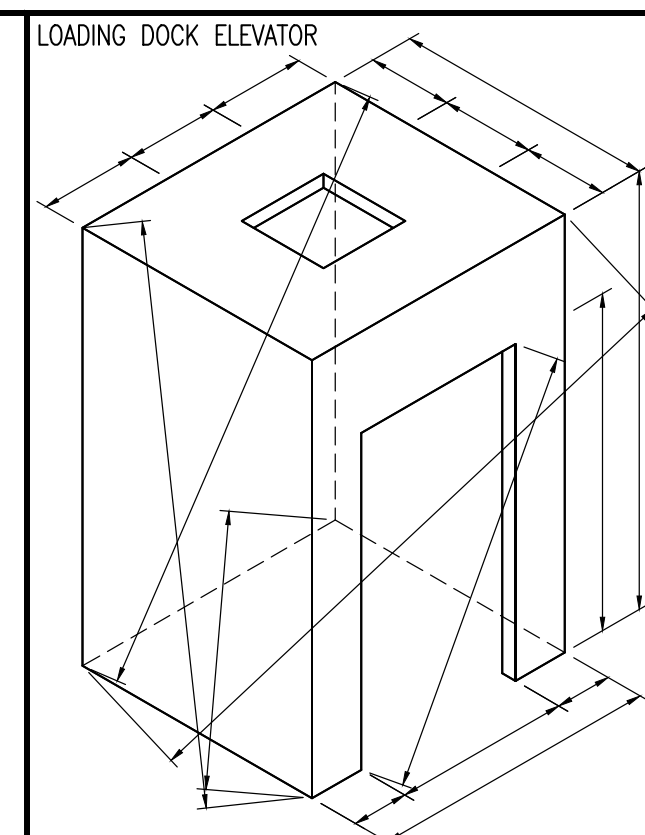
**16C**  
16-06 REFLECTED CEILING PLAN  
SCALE: 1/2" = 1'-0"  
Arch't Ref.: 7/A-432, 2/A615



**16C**  
16-06 VERTICAL SECTION  
SCALE: 1-1/2" = 1'-0"  
Arch't Ref.: 7/A-656



**16C**  
16-06 VERTICAL SECTION  
SCALE: 1-1/2" = 1'-0"  
Arch't Ref.: 7/A-656



⊗ Loose to field  
⊠ Fixed in shop

SPACE  
RESERVED  
FOR FINISH  
SCHEDULE

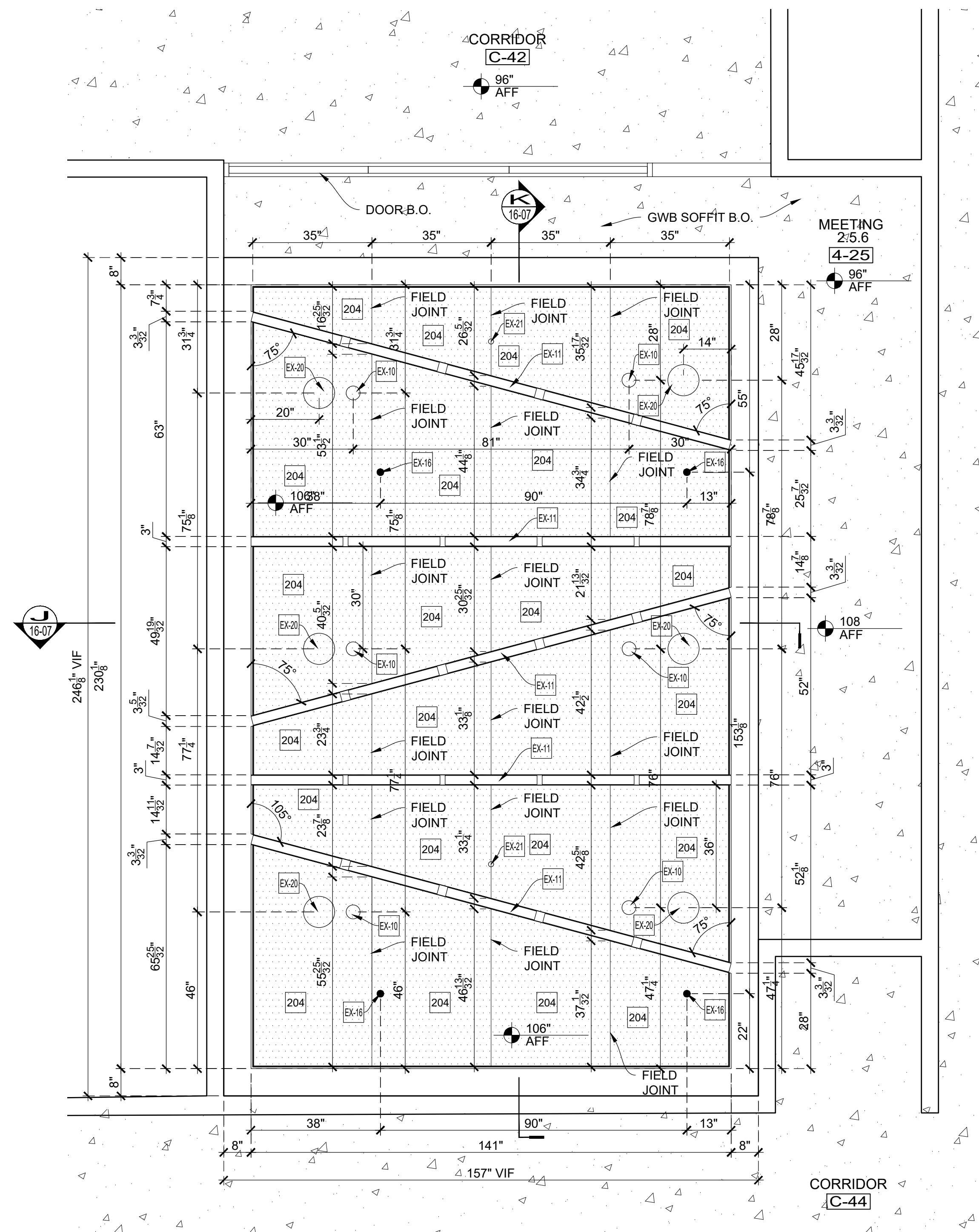
- EXCLUSIONS:**
- EX-3 SHADOW LINE MOLDING
  - EX-10 LIGHT FIXTURE LUCIFER LIGHTNING (LA-114)
  - EX-11 LIGHT FIXTURE OCL-UA1-CINA (LA-113)
  - EX-12 PERIMETER TRIM
  - EX-13 LIGHT FIXTURE USAI 3153 AC1 (LA-1038)
  - EX-14 SOUND MASKING SYSTEM, LENCORE, SPECTRA I NET
  - EX-15 CEILING MOUNTED MICROPHONE, BASIS OF DESIGN, AUDIX W3W
  - EX-16 SPRINKLER HEAD
  - EX-17 OCCUPANCY SENSOR
  - EX-18 HEAVY DUTY T-BAR
  - EX-20 CEILING MOUNTED SPEAKER (S)
  - EX-21 CEILING MOUNTED DUAL-TECHNOLOGY VACANCY SENSOR (VS)

DRAWING SUBMITTALS AND RETURNS				
DATE	PURPOSE	TO	RETURN	RETURN STATUS

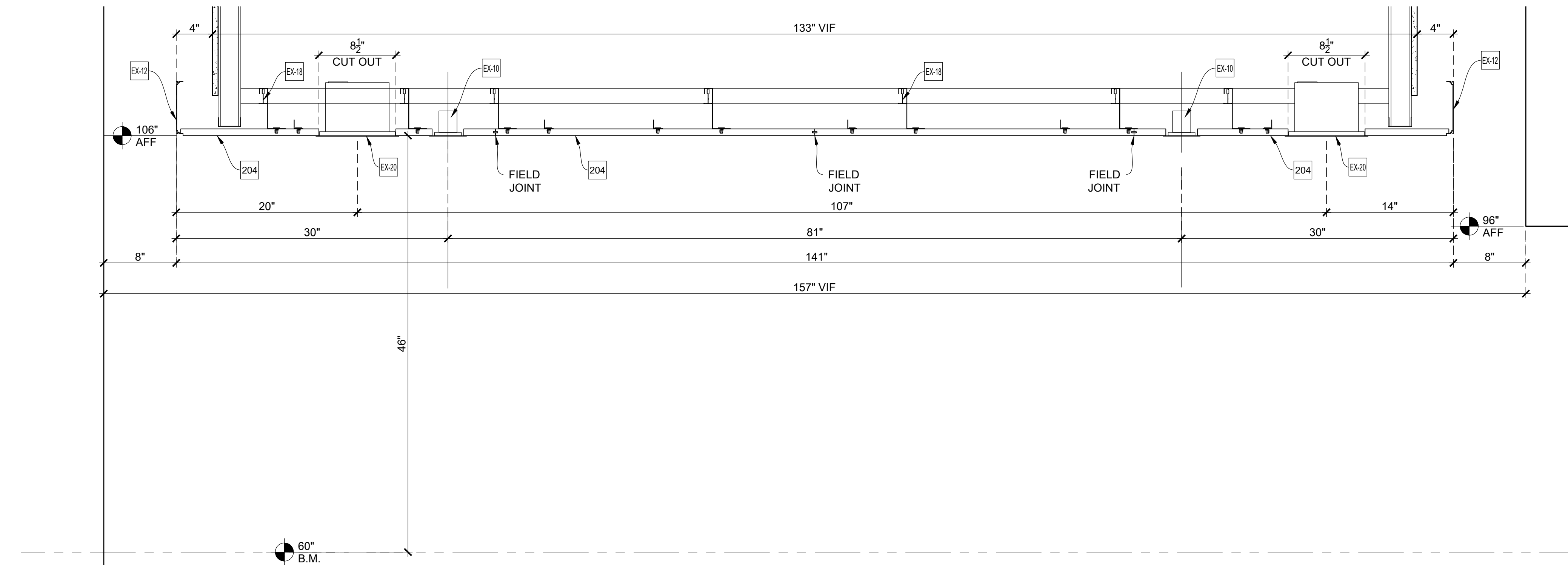
DRAWING REVISIONS			
DATE	DESCRIPTION	REVISED BY	COMMENTS
1			
2			
3			
4			
5			
6			
7			
8			
9			
10			

RELEASES FOR FABRICATION	
DATE	DESCRIPTION

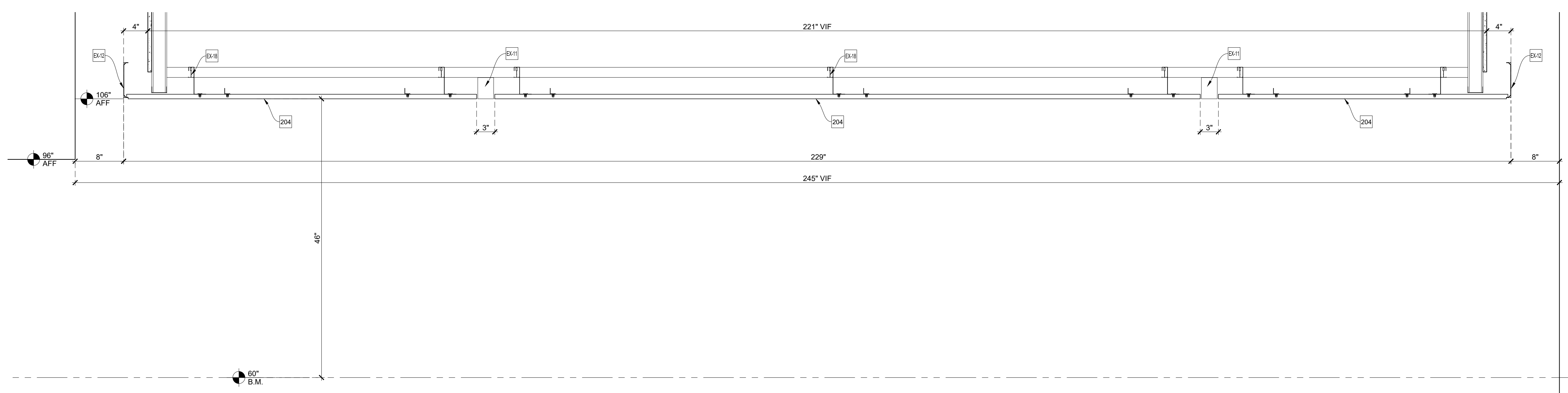
< Wróć



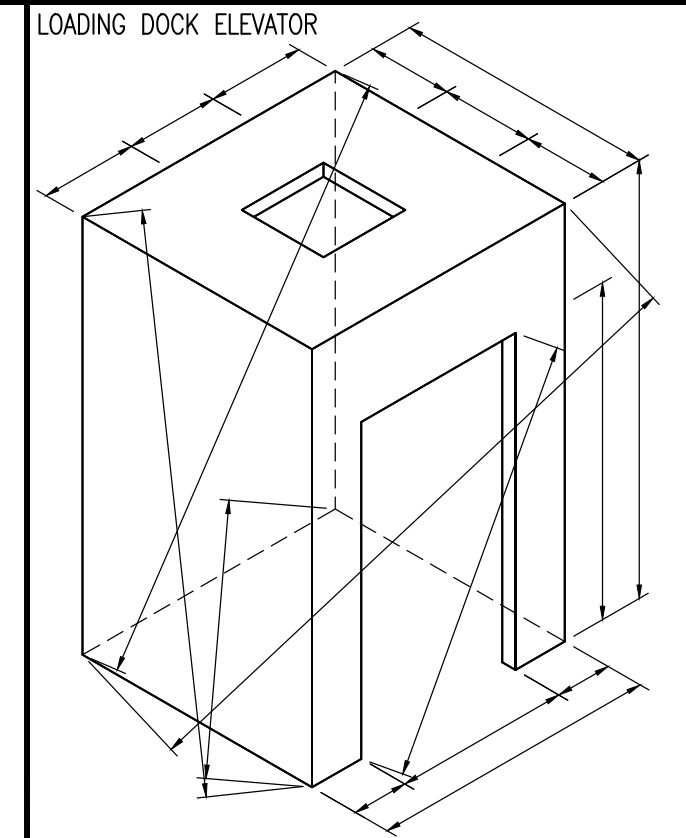
16D REFLECTED CEILING PLAN  
SCALE: 1/2" = 1'-0"  
Arch't Ref.: 1/A-403, 2/A617



16-07 VERTICAL SECTION  
SCALE: 1-1/2" = 1'-0"  
Arch't Ref.: 5/A-657



16-07 VERTICAL SECTION  
SCALE: 1-1/2" = 1'-0"  
Arch't Ref.: 4.9/A-656



LOADING DOCK ELEVATOR  
 ☒ Loose to field  
 ☒ Fixed in shop

THIS  
RES

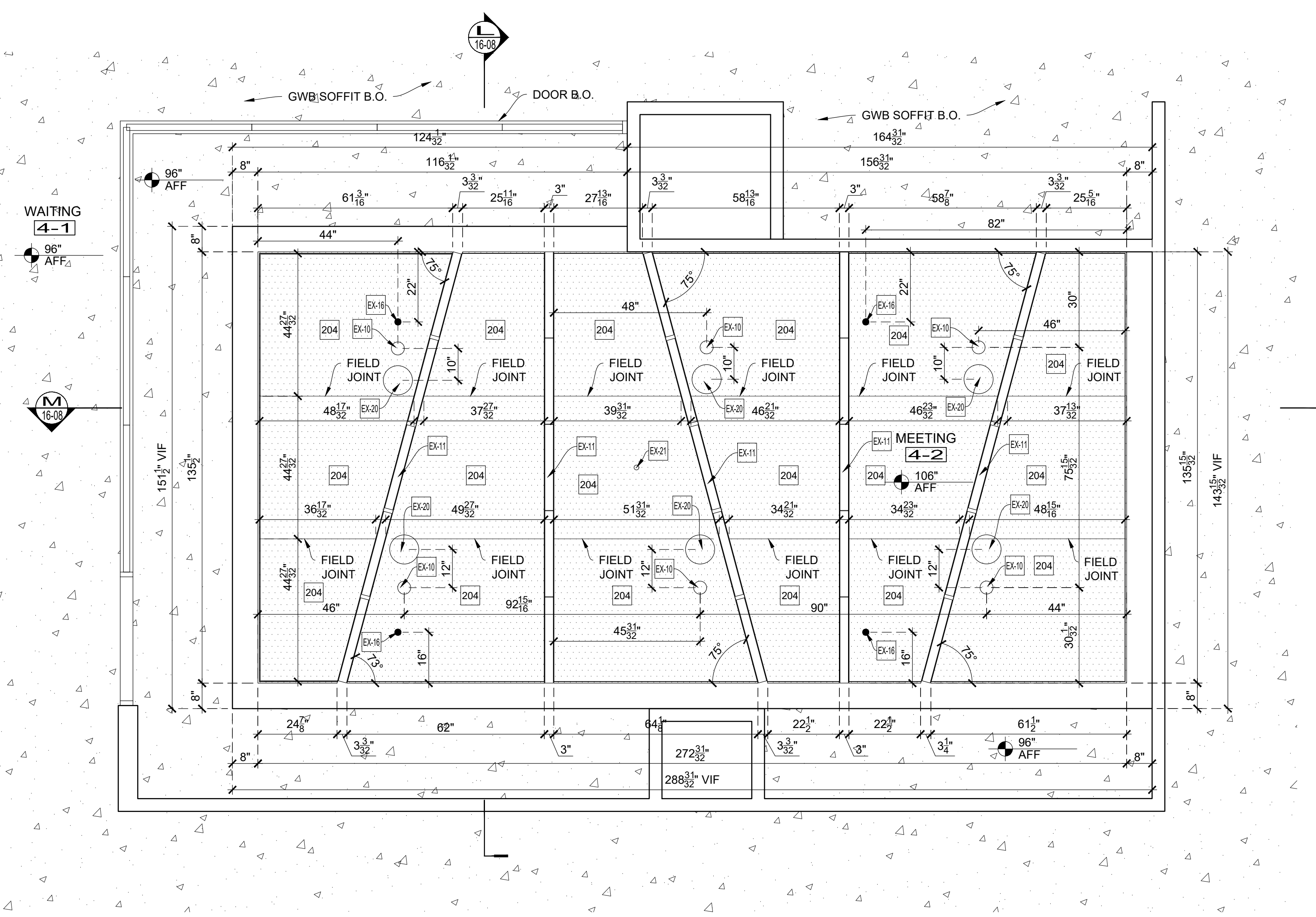
DRAWING SUBMITTALS AND RETURNS				
DATE	PURPOSE	TO	RETURN	RETURN STATUS

DRAWING REVISIONS			
DATE	DESCRIPTION	REVISED BY	COMMENTS
1			
2			
3			
4			
5			
6			
7			
8			
9			
10			

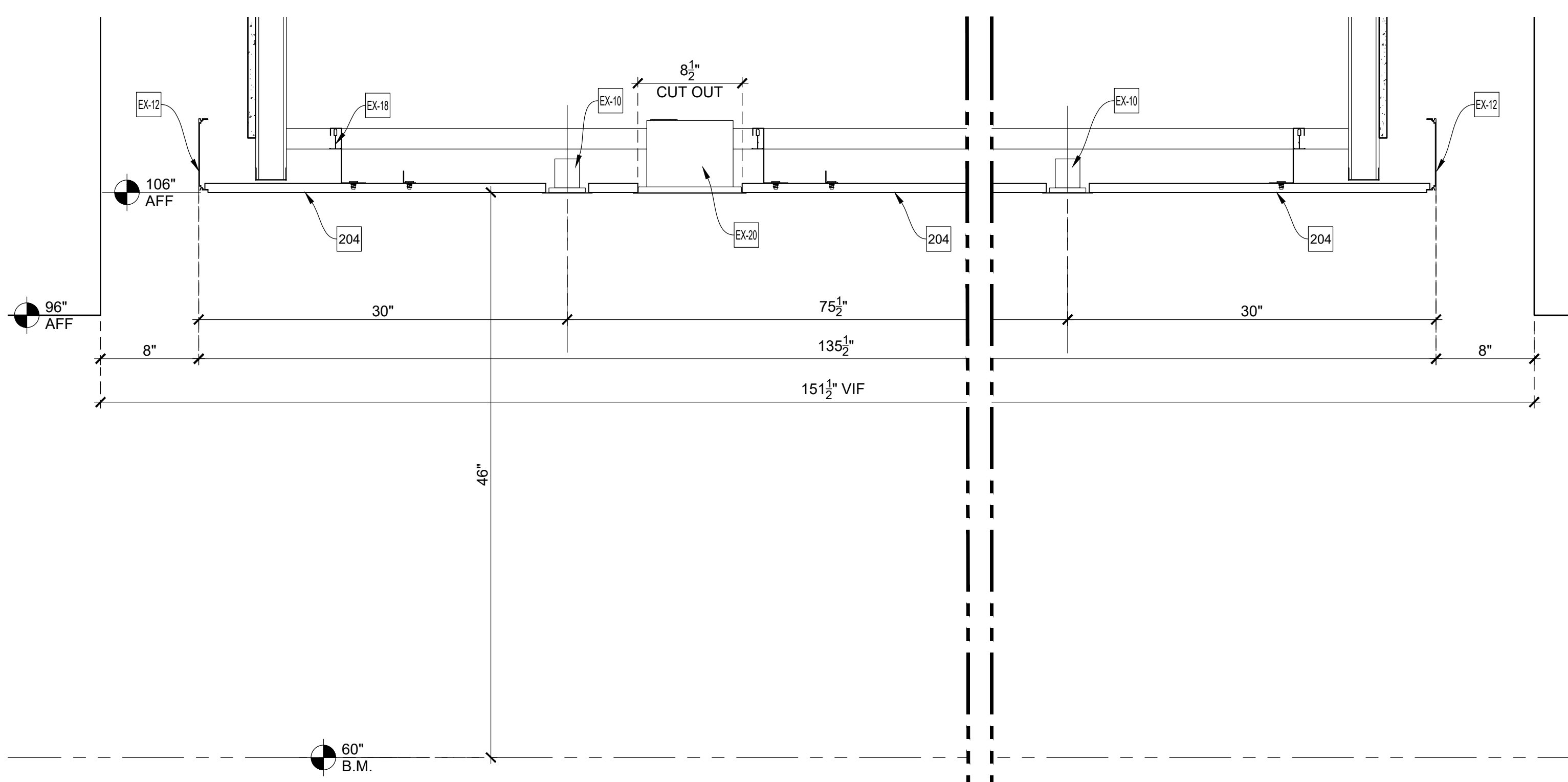
RELEASES FOR FABRICATION	
DATE	DESCRIPTION

TITLE:  
 ITEM NO:  
 DESC.: PLAN AND VERTICAL SECTIONS  
 DESC.: MEETING 4-25  
 By: PD Scale: As Noted Job No. Dwg. No.  
 Status: In Submittal Review Date: 2018-10-11 16-07

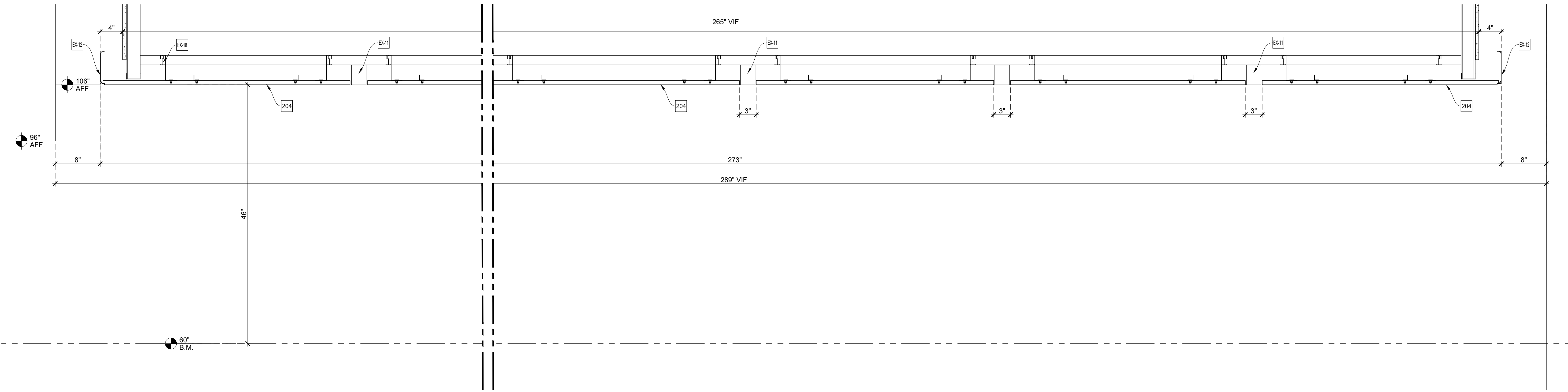
< Wróć



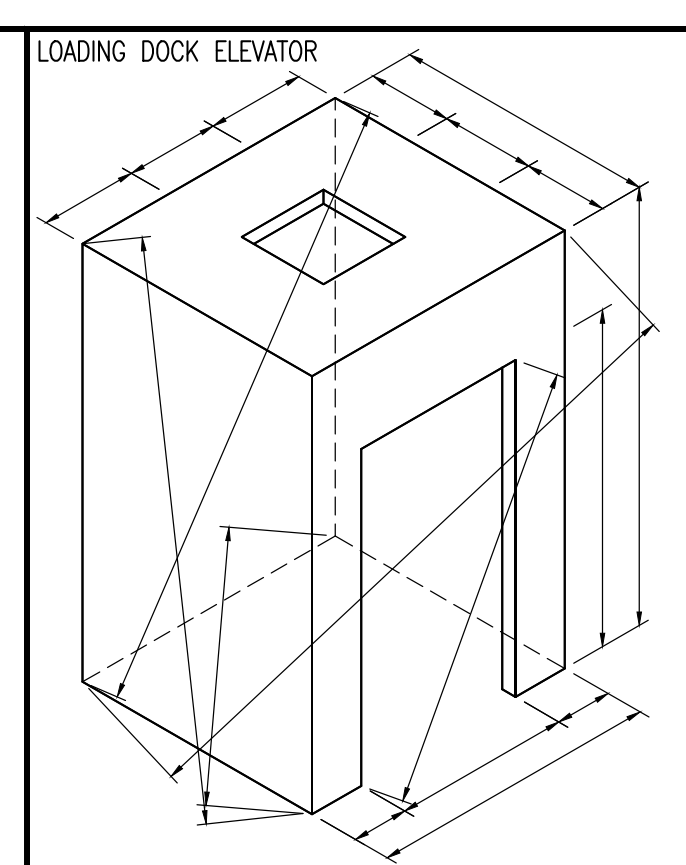
**REFLECTED CEILING PLAN**  
 SCALE: 1/2" = 1'-0"  
 Archt Ref.: 1/A-403, 2/A617



**VERTICAL SECTION**  
 SCALE: 1-1/2" = 1'-0"  
 Archt Ref.: 3.5/A-657



**VERTICAL SECTION**  
 SCALE: 1-1/2" = 1'-0"  
 Archt Ref.: 4.9/A-658



Loose to field  
 Fixed in shop

SPACE  
 FRAME  
 FOR FINISH  
 SCHEDULE

- EXCLUSIONS:**
- EX-3 SHADOW LINE MOLDING
  - EX-10 LIGHT FIXTURE LUCIFER LIGHTNING (LA-114)
  - EX-11 LIGHT FIXTURE OCLUA1-CINA (LA-113)
  - EX-12 PERIMETER TRIM
  - EX-13 LIGHT FIXTURE USAI 3153 AC1 (LA-1038)
  - EX-14 SOUND MASKING SYSTEM, LENCORE, SPECTRA I NET
  - EX-15 CEILING MOUNTED MICROPHONE, BASIS OF DESIGN, AUDIX W3W
  - EX-16 SPRINKLER HEAD
  - EX-17 OCCUPANCY SENSOR
  - EX-18 HEAVY DUTY T-BAR
  - EX-20 CEILING MOUNTED SPEAKER (S)
  - EX-21 CEILING MOUNTED DUAL-TECHNOLOGY VACANCY SENSOR (VS)

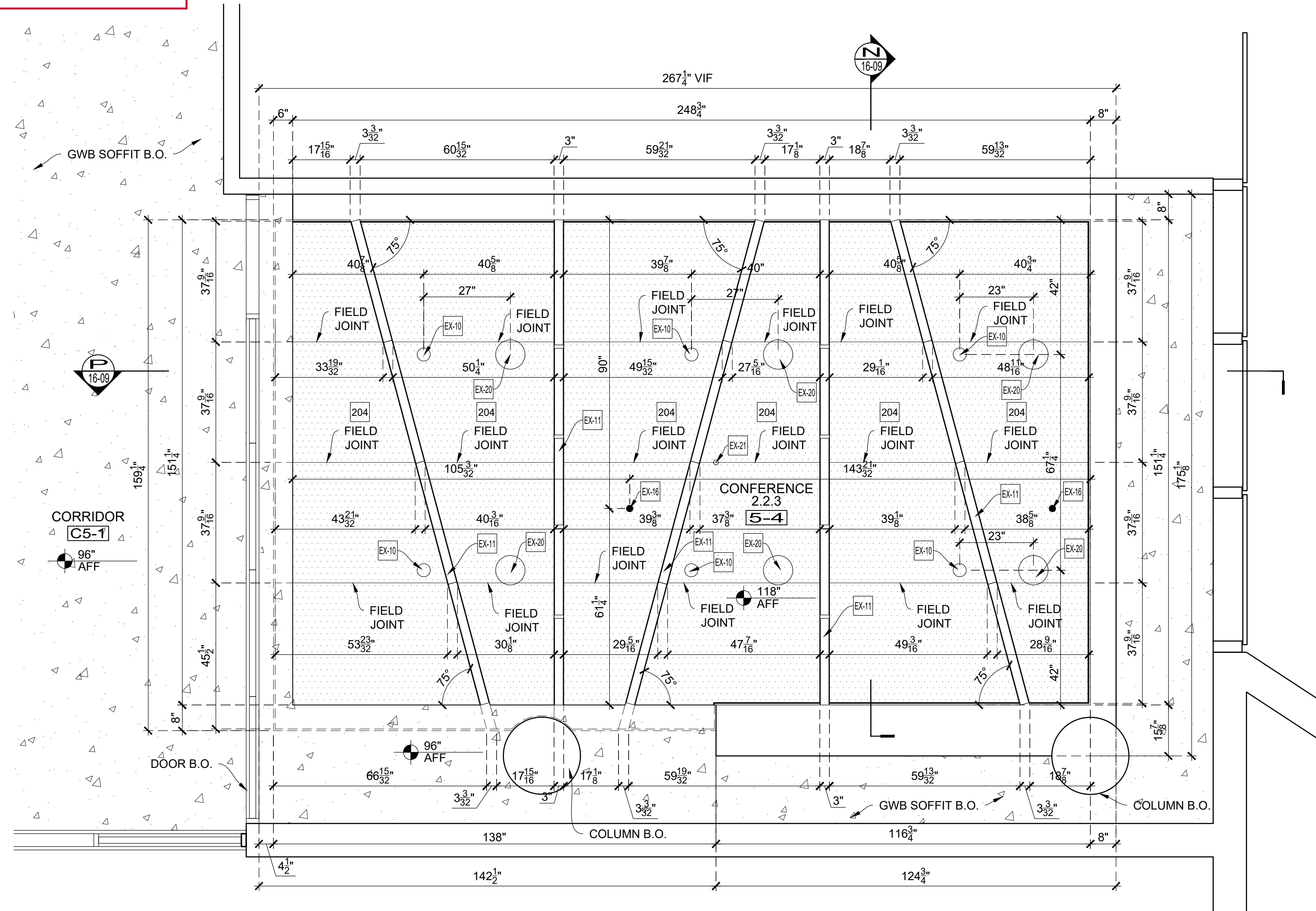
DRAWING SUBMITTALS AND RETURNS			
DATE	PURPOSE	TO	RETURN STATUS

DRAWING REVISIONS			
DATE	DESCRIPTION	REVISED BY	COMMENTS
1			
2			
3			
4			
5			
6			
7			
8			
9			
10			

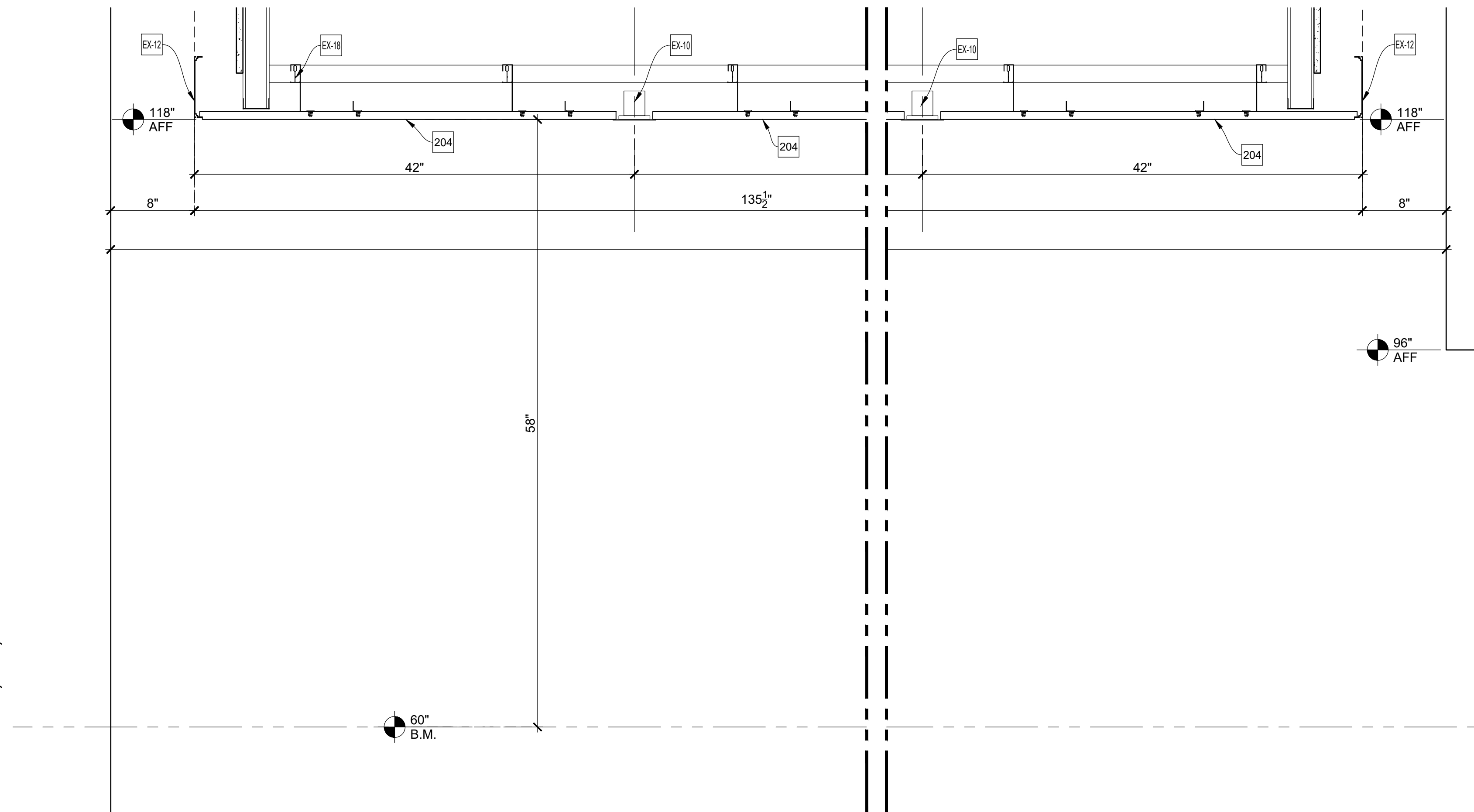
RELEASES FOR FABRICATION	
DATE	DESCRIPTION



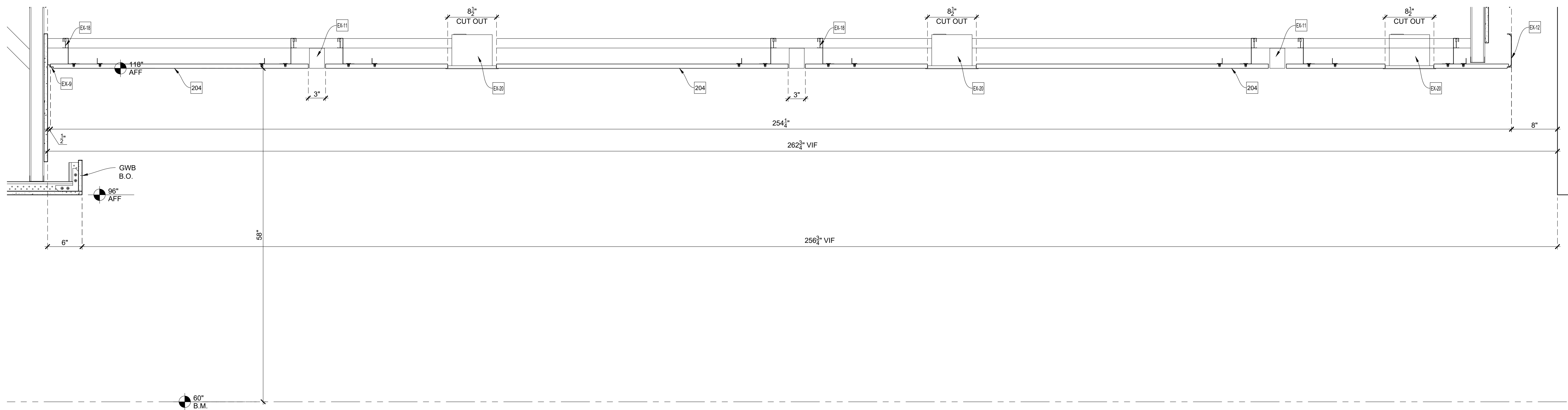
← Wróć



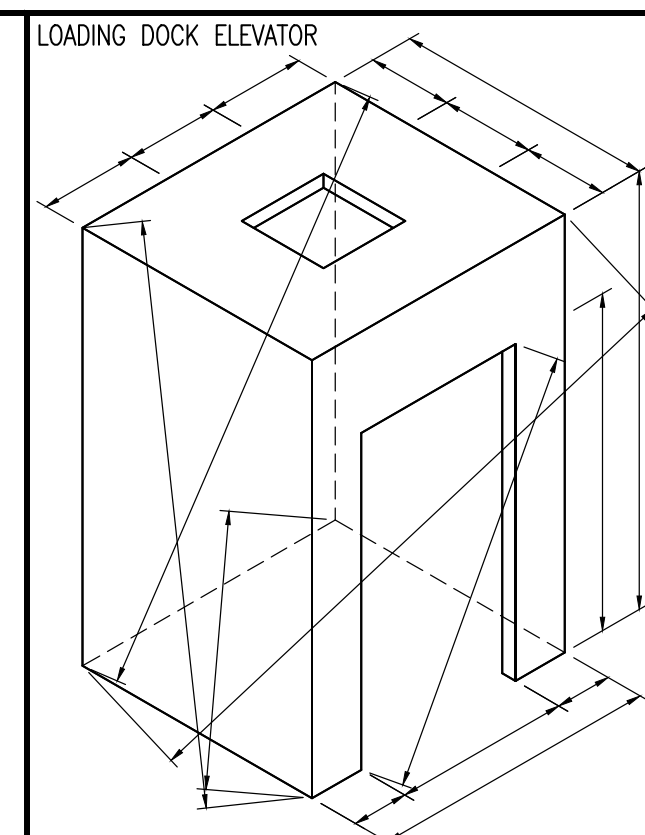
16-09 REFLECTED CEILING PLAN  
SCALE: 1/2" = 1'-0"  
Arch'l Ref.: 1/A-405, 1/A617



16-09 VERTICAL SECTION  
SCALE: 1-1/2" = 1'-0"  
Arch'l Ref.: 3,5/A-657



16-09 VERTICAL SECTION  
SCALE: 1-1/2" = 1'-0"  
Arch'l Ref.: 4,9/A-656



Loose to field  
Fixed in shop

EXCLUSIONS:

- EX-3 SHADOW LINE MOLDING
- EX-10 LIGHT FIXTURE LUCIFER LIGHTNING (LA-114)
- EX-11 LIGHT FIXTURE OCL-UA1-CINA (LA-113)
- EX-12 PERIMETER TRIM
- EX-13 LIGHT FIXTURE USAI 3153 AC1 (LA-1038)
- EX-14 SOUND MASKING SYSTEM, LENCORE, SPECTRA I NET
- EX-15 CEILING MOUNTED MICROPHONE, BASIS OF DESIGN, AUDIX W3W
- EX-16 SPRINKLER HEAD
- EX-17 OCCUPANCY SENSOR
- EX-18 HEAVY DUTY T-BAR
- EX-20 CEILING MOUNTED SPEAKER (S)
- EX-21 CEILING MOUNTED DUAL-TECHNOLOGY VACANCY SENSOR (VS)

DRAWING SUBMITTALS AND RETURNS				
DATE	PURPOSE	TO	RETURN	RETURN STATUS

DRAWING REVISIONS				
DATE	DESCRIPTION	REVISED BY	COMMENTS	
1				
2				
3				
4				
5				
6				
7				
8				
9				
10				

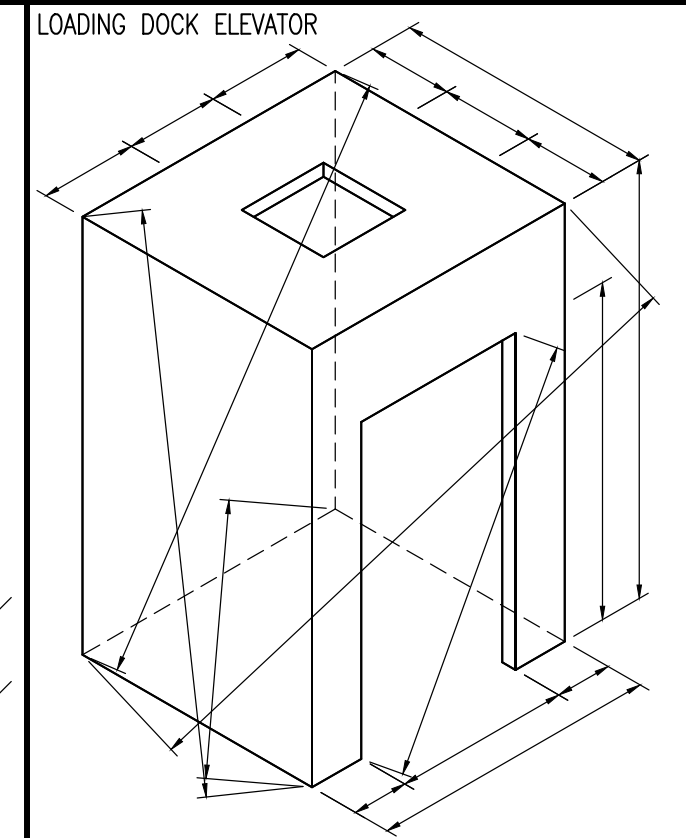
RELEASES FOR FABRICATION	
DATE	DESCRIPTION

TITLE:  
ITEM NO:  
DESC.: PLAN AND VERTICAL SECTIONS  
DESC.: CONFERENCE 5-4

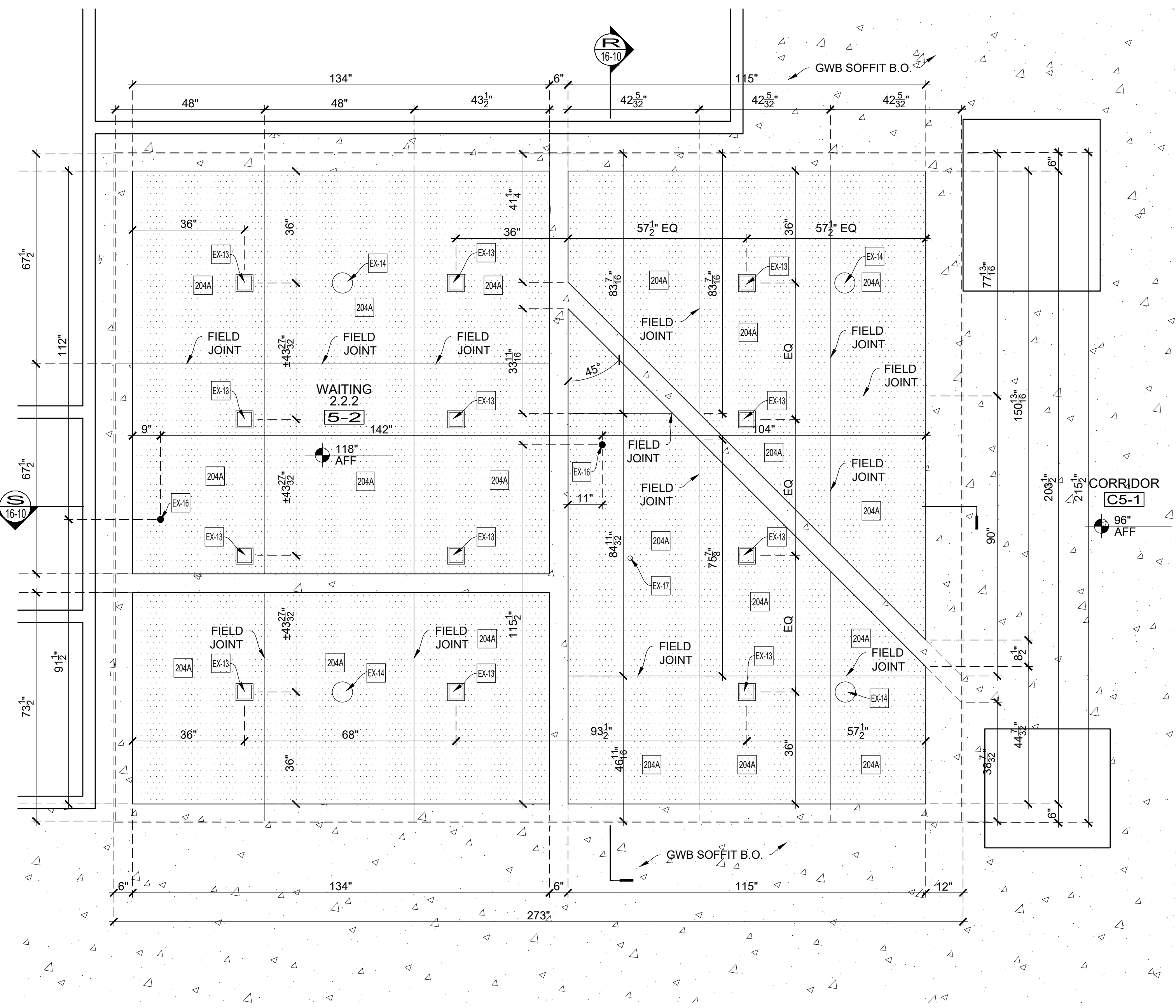
By: PD Scale: As Noted Job No. Dwg. No.

Status: In Submittal Review Date: 2018-10-11 16-09

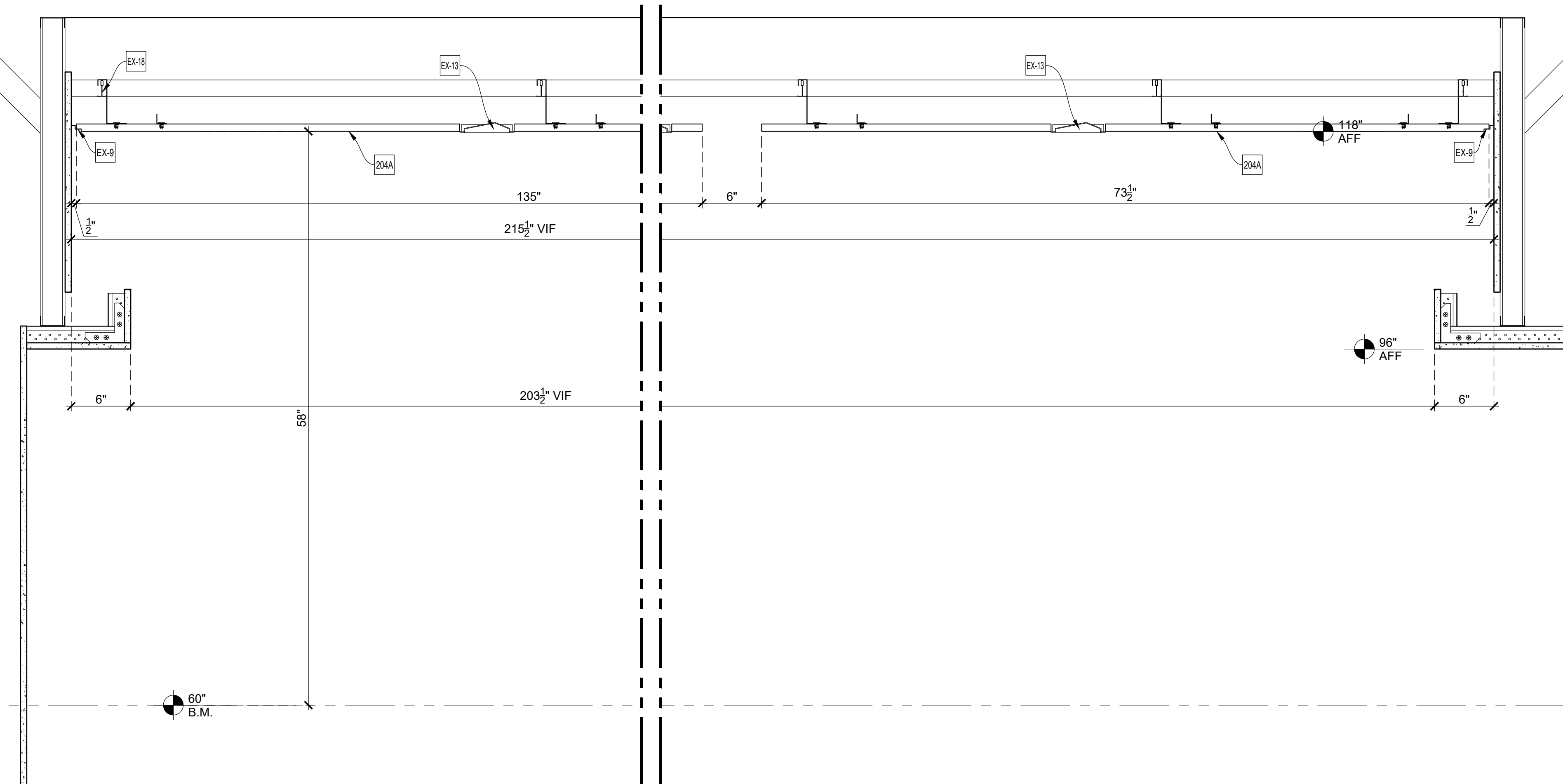
← Wróć



Loose to field  
Fixed in shop



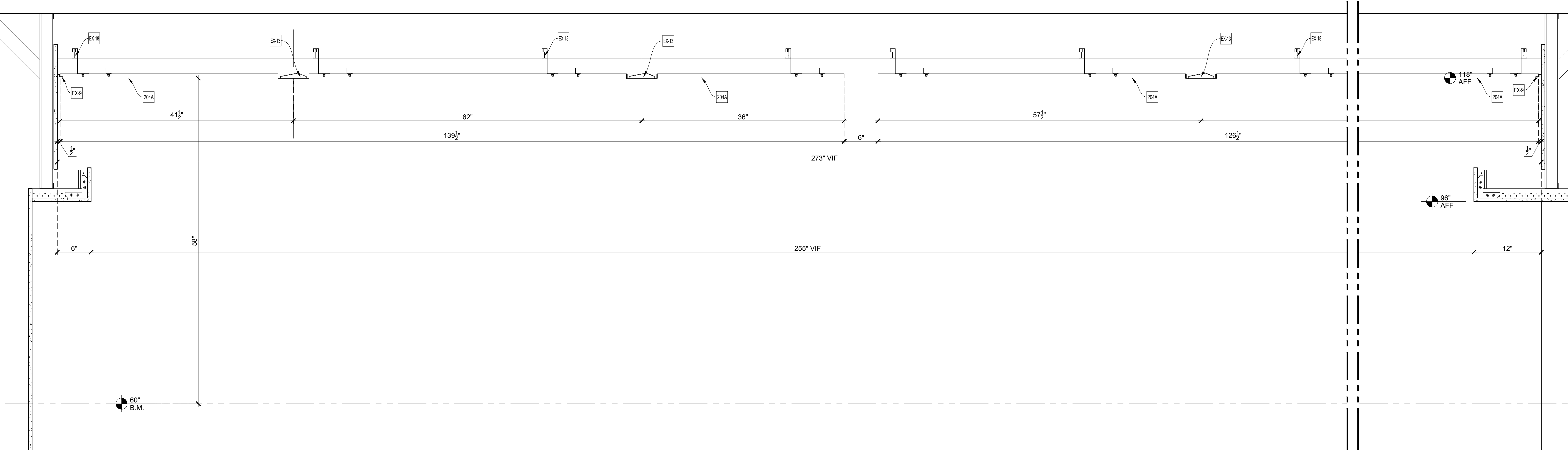
16C REFLECTED CEILING PLAN  
SCALE: 1/2" = 1'-0"  
Arch't Ref.: 1/A-405, 1/A617



VERTICAL SECTION  
SCALE: 1-1/2" = 1'-0"  
Arch't Ref.: 2.7/A-656

EXCLUSIONS:

- EX-3 SHADOW LINE MOLDING
- EX-10 LIGHT FIXTURE LUCIFER LIGHTNING (LA-114)
- EX-11 LIGHT FIXTURE OCL-U1-CINA (LA-113)
- EX-12 PERIMETER TRIM
- EX-13 LIGHT FIXTURE USAI 3153 AC1 (LA-1038)
- EX-14 SOUND MASKING SYSTEM, LENCORE, SPECTRA I NET
- EX-15 CEILING MOUNTED MICROPHONE, BASIS OF DESIGN, AUDIX W3W
- EX-16 SPRINKLER HEAD
- EX-17 OCCUPANCY SENSOR
- EX-18 HEAVY DUTY T-BAR
- EX-20 CEILING MOUNTED SPEAKER (S)
- EX-21 CEILING MOUNTED DUAL-TECHNOLOGY VACANCY SENSOR (VS)



VERTICAL SECTION  
SCALE: 1-1/2" = 1'-0"  
Arch't Ref.: 2.7/A-656

DRAWING SUBMITTALS AND RETURNS				
DATE	PURPOSE	TO	RETURN	RETURN STATUS

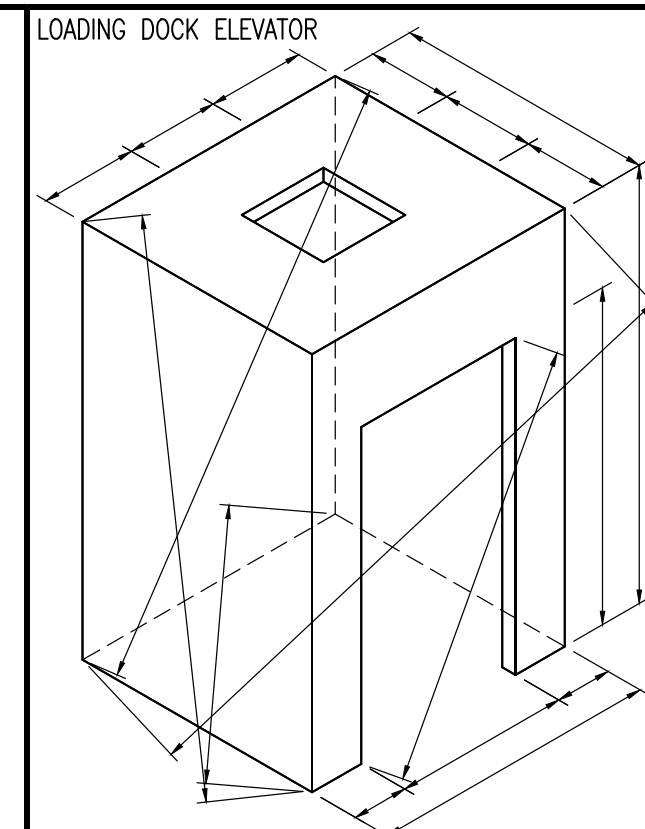
DRAWING REVISIONS			
DATE	DESCRIPTION	REVISED BY	COMMENTS
1			
2			
3			
4			
5			
6			
7			
8			
9			
10			

RELEASES FOR FABRICATION	
DATE	DESCRIPTION

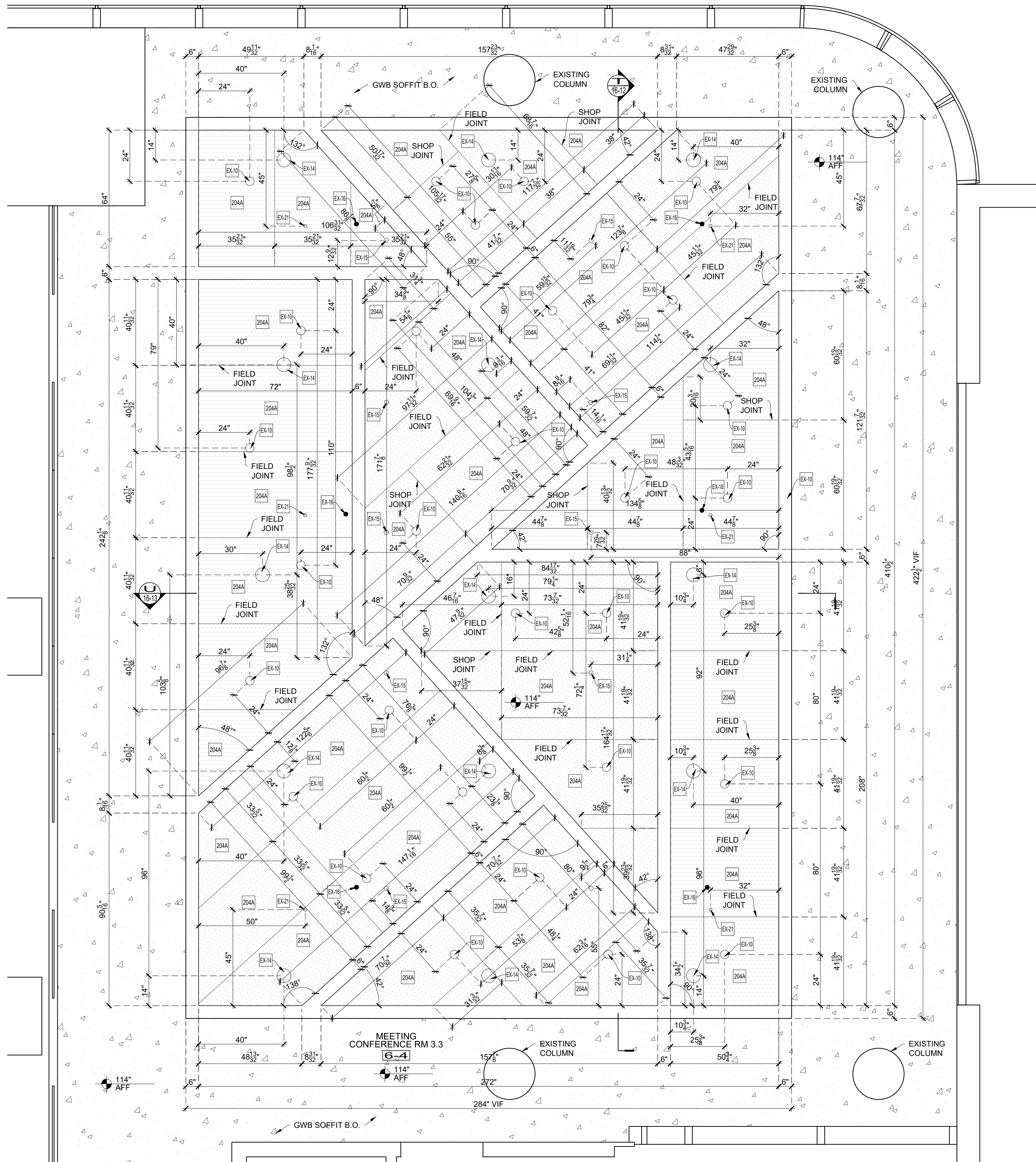
TITLE:  
ITEM NO:  
DESC: PLAN AND VERTICAL SECTIONS  
DESC: WAITING 5-2

By: PD Scale: As Noted Job No. Dwg. No.  
16-10

Status: In Submittal Review Date: 2018-10-11



Loose to field  
Fixed in shop



SPACE  
FOR  
FIELD

**EXCLUSIONS:**

EX-3	SHADOW LINE MOLDING
EX-10	LIGHT FIXTURE LUCIFER LIGHTNING (LA-114)
EX-11	LIGHT FIXTURE OCLUA1-CINA (LA-113)
EX-12	PERIMETER TRIM
EX-13	LIGHT FIXTURE USAI 3153 AC1 (LA-1038)
EX-14	SOUND MASKING SYSTEM, LENCORE, SPECTRA I NET
EX-15	CEILING MOUNTED MICROPHONE, BASIS OF DESIGN, AUDIX WSW
EX-16	SPRINKLER HEAD
EX-17	OCCUPANCY SENSOR
EX-18	HEAVY DUTY T-BAR
EX-20	CEILING MOUNTED SPEAKER (S)
EX-21	CEILING MOUNTED DUAL-TECHNOLOGY VACANCY SENSOR (VS)

**DRAWING SUBMITTALS AND RETURNS**

DATE	PURPOSE	TO	RETURN	RETURN STATUS

**DRAWING REVISIONS**

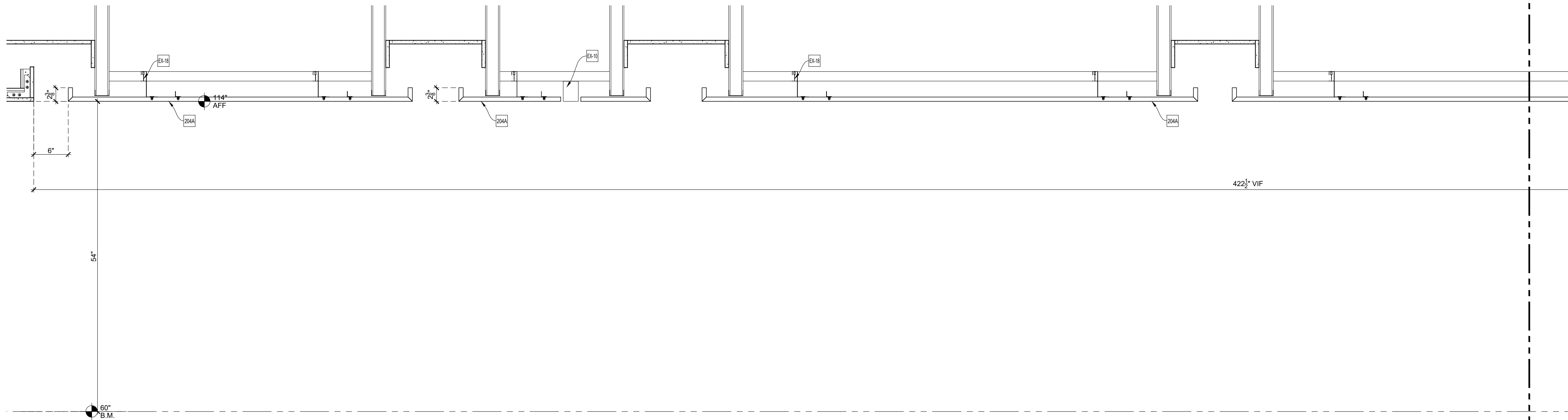
DATE	DESCRIPTION	REVISED BY	COMMENTS
1			
2			
3			
4			
5			
6			
7			
8			
9			
10			

**RELEASES FOR FABRICATION**

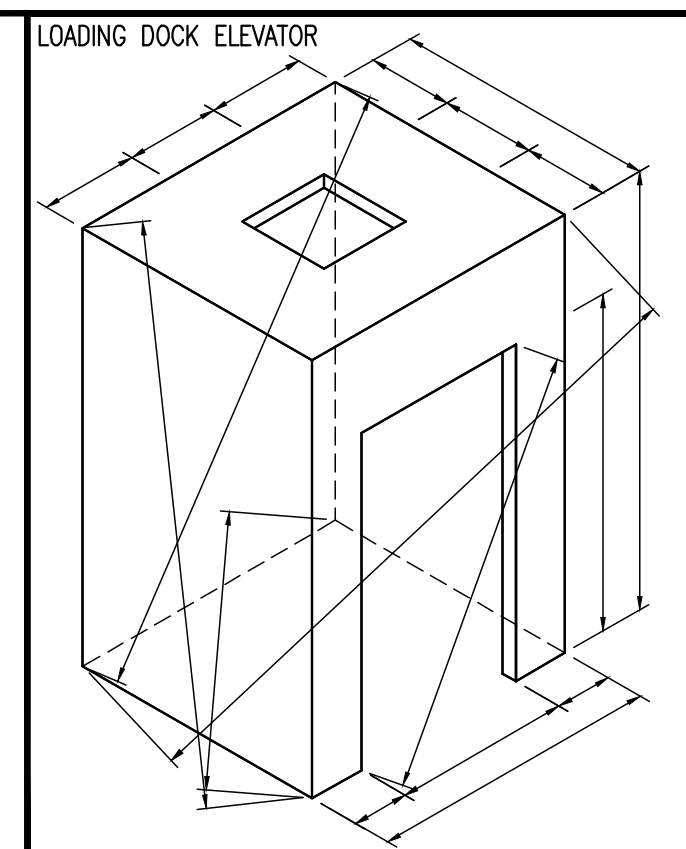
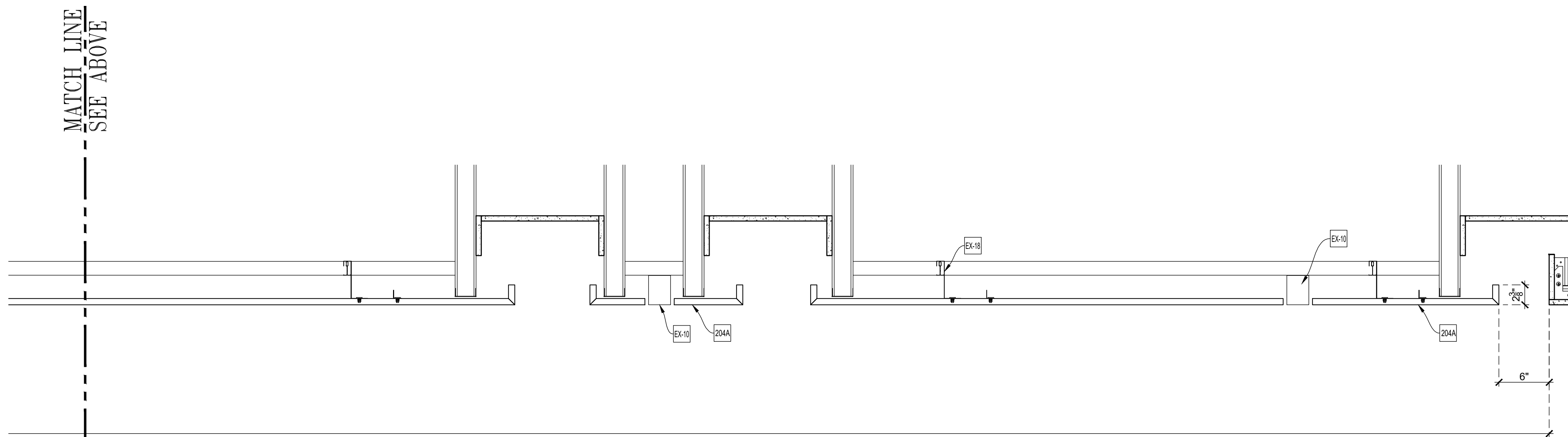
DATE	DESCRIPTION

TITLE:  
ITEM NO:  
DESC.: PLAN  
DESC: MEETING/CONFERENCE RM 6-4  
By: PD Scale: As Noted Job No. Dwg. No.  
Status: In Submittal Review Date: 2018-10-11 16-11

< Wróć



16-12 VERTICAL SECTION  
SCALE: 1/12" = 1'-0"  
Arch Ref: 4A-657



LOADING DOCK ELEVATOR  
 ☒ Loose to field  
 ☒ Fixed in shop

THIS SPACE  
 IS RESERVED  
 FOR FINISH  
 SCHEDULE

EXCLUSIONS:

EX-3	SHADOW LINE MOLDING
EX-10	LIGHT FIXTURE LUCIFER LIGHTNINGS (LA-114)
EX-11	LIGHT FIXTURE OCL-UJ1-CINA (LA-113)
EX-12	PERIMETER TRIM
EX-13	LIGHT FIXTURE USAI 3153 AC1 (LA-1038)
EX-14	SOUND MASKING SYSTEM LENCORE, SPECTRA I NET
EX-15	CEILING MOUNTED MICROPHONE, BASIS OF DESIGN, AUDIX W3W
EX-16	SPRINKLER HEAD
EX-17	OCCUPANCY SENSOR
EX-18	HEAVY DUTY T-BAR
EX-20	CEILING MOUNTED SPEAKER (S)
EX-21	CEILING MOUNTED DUAL-TECHNOLOGY VACANCY SENSOR (VS)

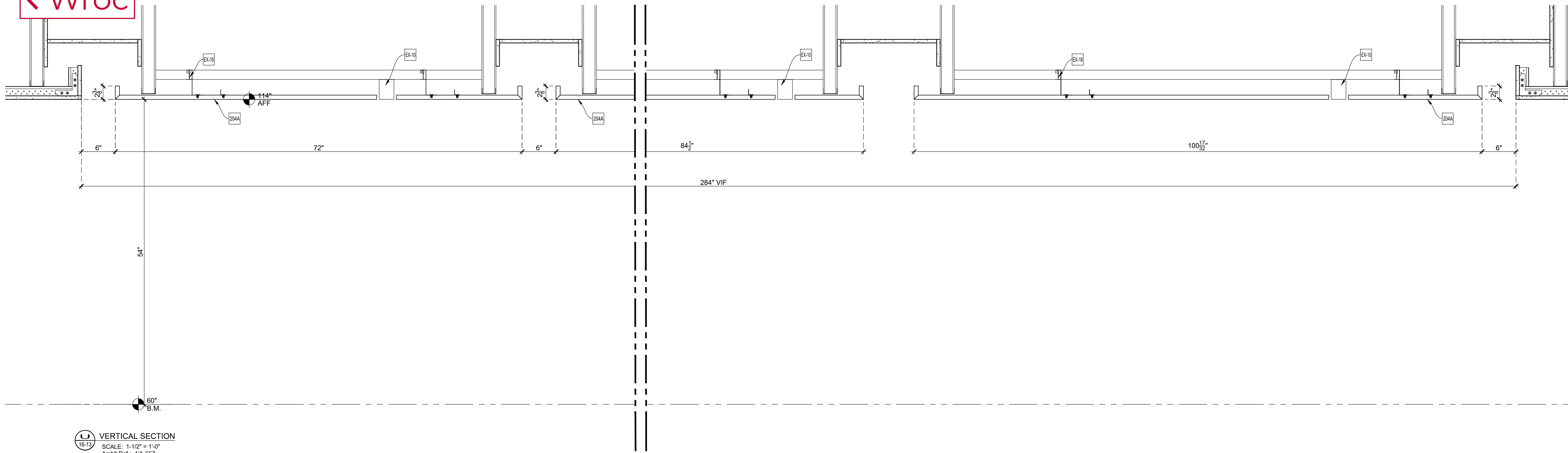
DRAWING SUBMITTALS AND RETURNS				
DATE	PURPOSE	TO	RETURN	RETURN STATUS

DRAWING REVISIONS				
DATE	DESCRIPTION	REVISED BY	COMMENTS	
1				
2				
3				
4				
5				
6				
7				
8				
9				
10				

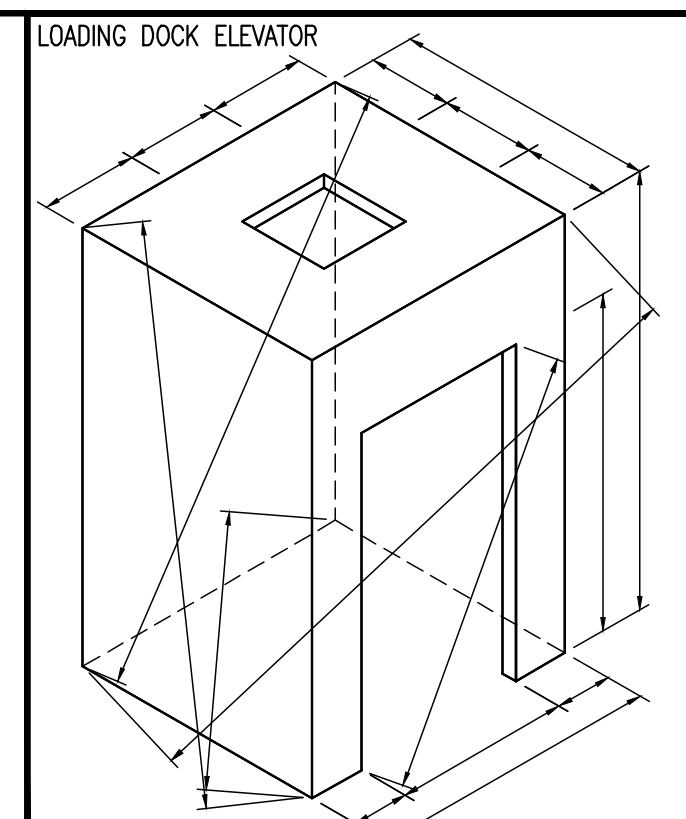
RELEASES FOR FABRICATION	
DATE	DESCRIPTION

TITLE:  
 ITEM NO:  
 DESC.: VERTICAL SECTIONS  
 DESC.: MEETING/CONFERENCE RM 16-4  
 By: PD Scale: As Noted Job No. Dwg. No.  
 Status: In Submittal Review Date: 2018-10-11 16-12

← Wróć



VERTICAL SECTION  
SCALE: 1-1/2" = 1'-0"  
ArchT Ref.: 4/A-657



LOADING DOCK ELEVATOR  
 ☒ Loose to field  
 ☒ Fixed in shop

THIS SPACE  
SERVES  
FOR FINISH  
SCHEDULE

EXCLUSIONS:

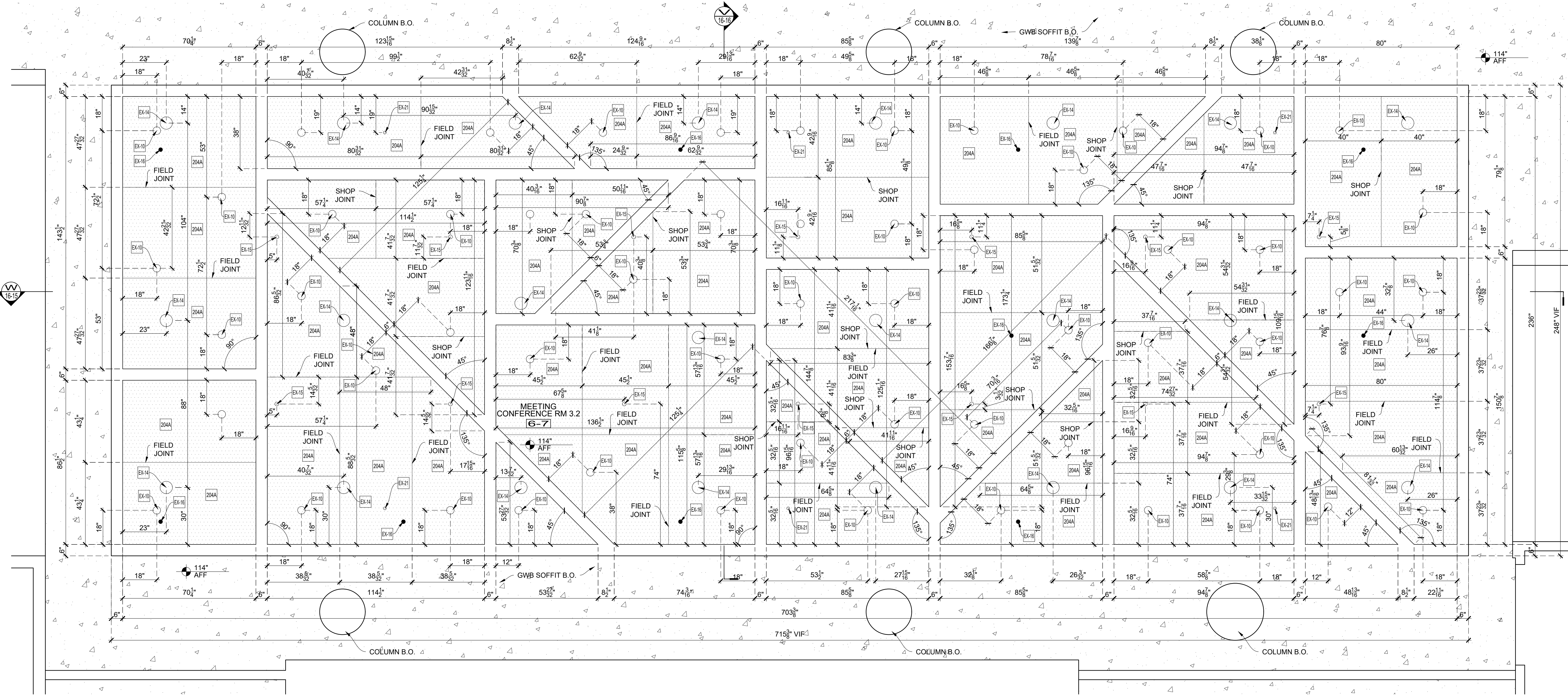
EX-3	SHADOW LINE MOLDING
EX-10	LIGHT FIXTURE LUCIFER LIGHTNINGS (LA-114)
EX-11	LIGHT FIXTURE OCL-UJ1-CINA (LA-113)
EX-12	PERIMETER TRIM
EX-13	LIGHT FIXTURE USAI 3153 AC1 (LA-1038)
EX-14	SOUND MASKING SYSTEM LENCORE, SPECTRA I NET
EX-15	CEILING MOUNTED MICROPHONE, BASIS OF DESIGN, AUDIX WSW
EX-16	SPRINKLER HEAD
EX-17	OCCUPANCY SENSOR
EX-18	HEAVY DUTY T-BAR
EX-20	CEILING MOUNTED SPEAKER (S)
EX-21	CEILING MOUNTED DUAL-TECHNOLOGY VACANCY SENSOR (VS)

DRAWING SUBMITTALS AND RETURNS				
DATE	PURPOSE	TO	RETURN	RETURN STATUS

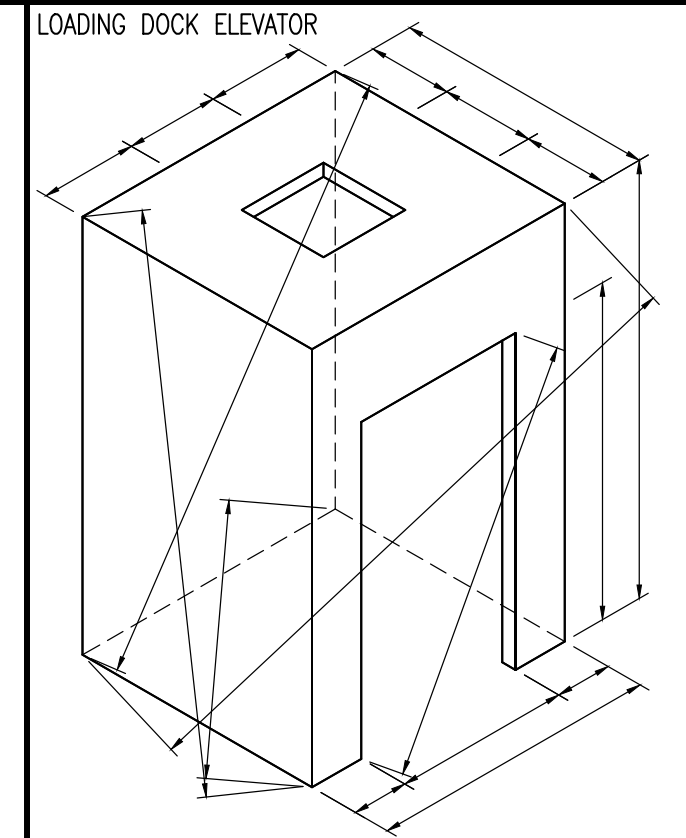
DRAWING REVISIONS				
DATE	DESCRIPTION	REVISED BY	COMMENTS	
1				
2				
3				
4				
5				
6				
7				
8				
9				
10				

RELEASES FOR FABRICATION	
DATE	DESCRIPTION

TITLE:  
ITEM NO:  
DESC.: VERTICAL SECTION  
DESC.: MEETING/CONFERENCE RM 16-4  
By: PD Scale: As Noted Job No. Dwg. No.  
Status: In Submittal Review Date: 2018-10-11 16-13



16-14 REFLECTED CEILING PLAN  
 SCALE: 1/2" = 1'-0"  
 Archt Ref.: 2/A-405, 2/A618



Loose to field  
 Fixed in shop

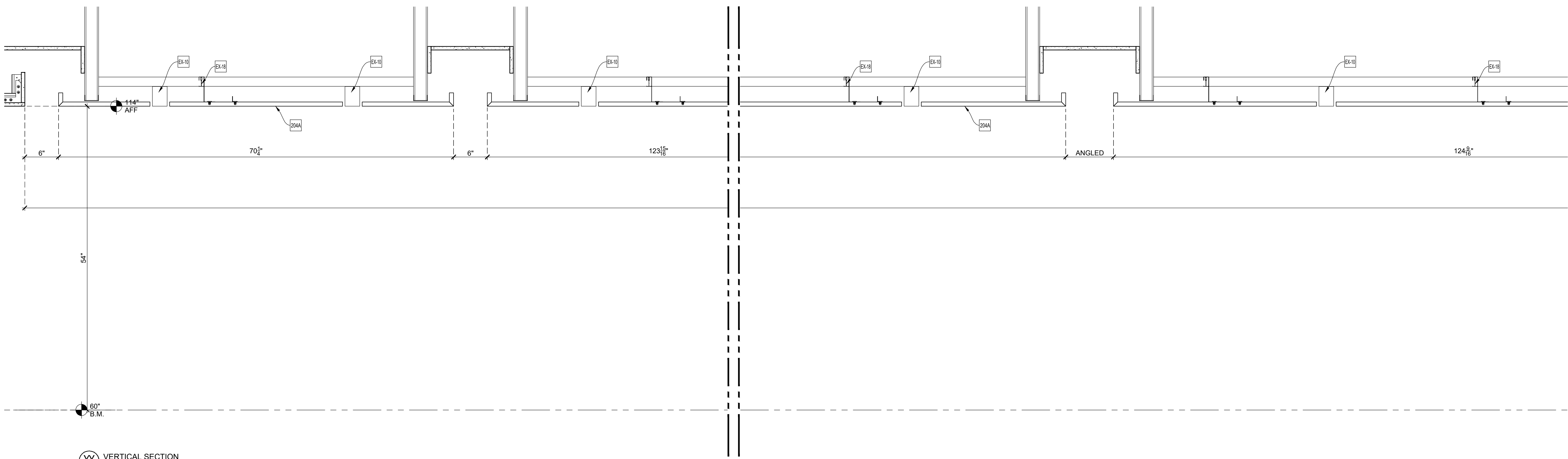
- EXCLUSIONS:**
- EX-3 SHADOW LINE MOLDING
  - EX-10 LIGHT FIXTURE LUCIFER LIGHTNING (LA-114)
  - EX-11 LIGHT FIXTURE OCLUA1-CINA (LA-113)
  - EX-12 PERIMETER TRIM
  - EX-13 LIGHT FIXTURE USAI 3153 AC1 (LA-1038)
  - EX-14 SOUND MASKING SYSTEM, LENCORE, SPECTRA I NET
  - EX-15 CEILING MOUNTED MICROPHONE, BASIS OF DESIGN, AUDIX W3W
  - EX-16 SPRINKLER HEAD
  - EX-17 OCCUPANCY SENSOR
  - EX-18 HEAVY DUTY T-BAR
  - EX-20 CEILING MOUNTED SPEAKER (S)
  - EX-21 CEILING MOUNTED DUAL-TECHNOLOGY VACANCY SENSOR (VS)

DRAWING SUBMITTALS AND RETURNS				
DATE	PURPOSE	TO	RETURN	RETURN STATUS

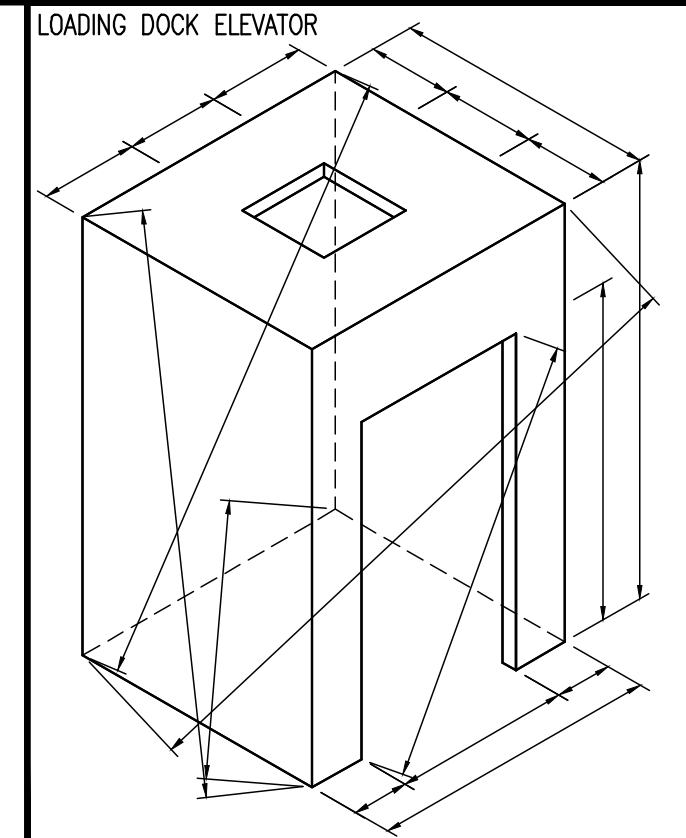
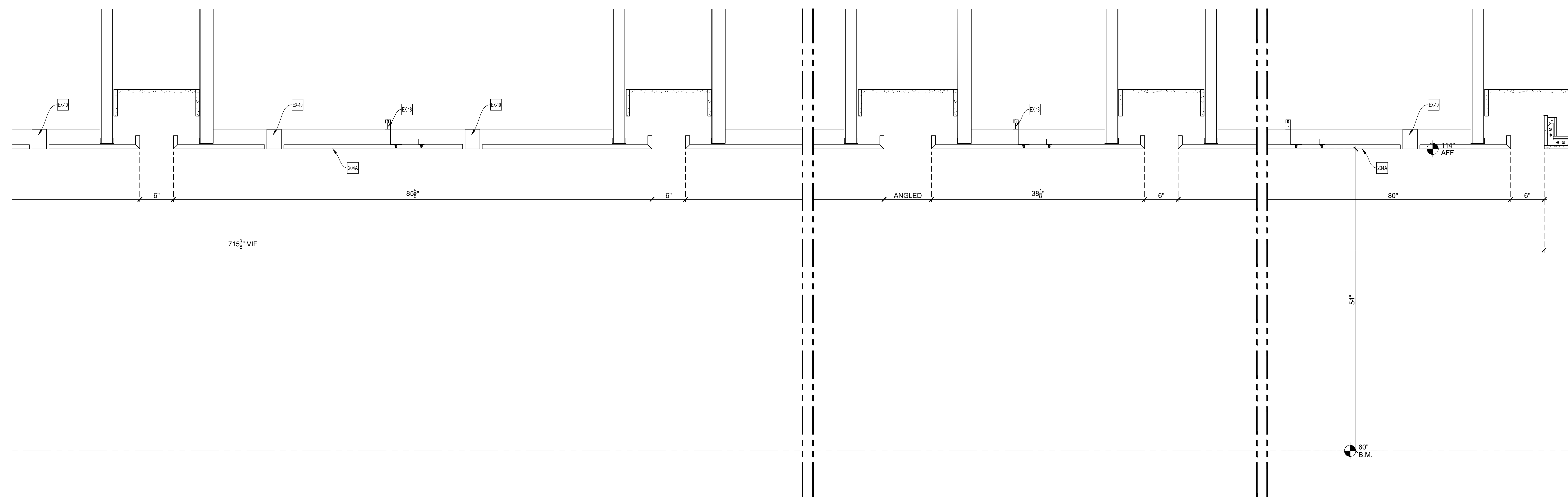
DRAWING REVISIONS			
DATE	DESCRIPTION	REVISED BY	COMMENTS
1			
2			
3			
4			
5			
6			
7			
8			
9			
10			

RELEASES FOR FABRICATION	
DATE	DESCRIPTION

< Wróć



VERTICAL SECTION  
SCALE: 1-1/2" = 1'-0"  
Arch't Ref.: 4/A-657



LOADING DOCK ELEVATOR  
 ☒ Loose to field  
 ☒ Fixed in shop

THIS SPACE  
 IS RESERVED  
 FOR FINISH  
 SCHEDULE

EXCLUSIONS:

- EX-3 SHADOW LINE MOLDING
- EX-10 LIGHT FIXTURE LUCIFER LIGHTNINGS (LA-114)
- EX-11 LIGHT FIXTURE OCL-UJ1-CINA (LA-113)
- EX-12 PERIMETER TRIM
- EX-13 LIGHT FIXTURE USAI 3153 AC1 (LA-1038)
- EX-14 SOUND MASKING SYSTEM LENCORE, SPECTRA I NET
- EX-15 CEILING MOUNTED MICROPHONE, BASIS OF DESIGN, AUDIX WSW
- EX-16 SPRINKLER HEAD
- EX-17 OCCUPANCY SENSOR
- EX-18 HEAVY DUTY T-BAR
- EX-20 CEILING MOUNTED SPEAKER (S)
- EX-21 CEILING MOUNTED DUAL-TECHNOLOGY VACANCY SENSOR (VS)

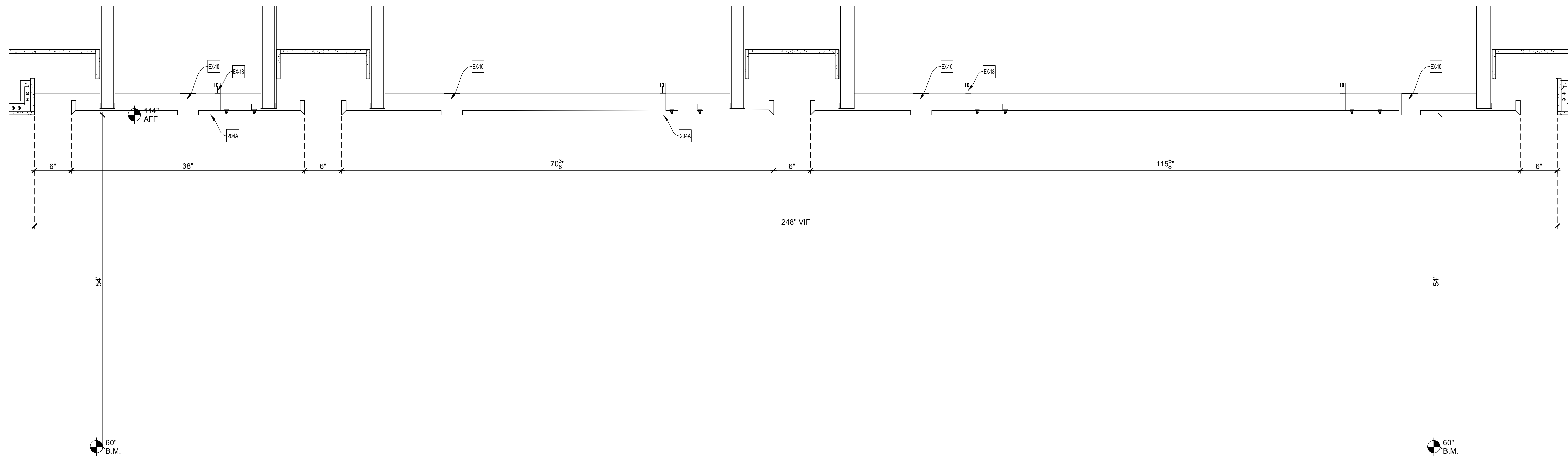
DRAWING SUBMITTALS AND RETURNS				
DATE	PURPOSE	TO	RETURN	RETURN STATUS

DRAWING REVISIONS			
DATE	DESCRIPTION	REVISED BY	COMMENTS
1			
2			
3			
4			
5			
6			
7			
8			
9			
10			

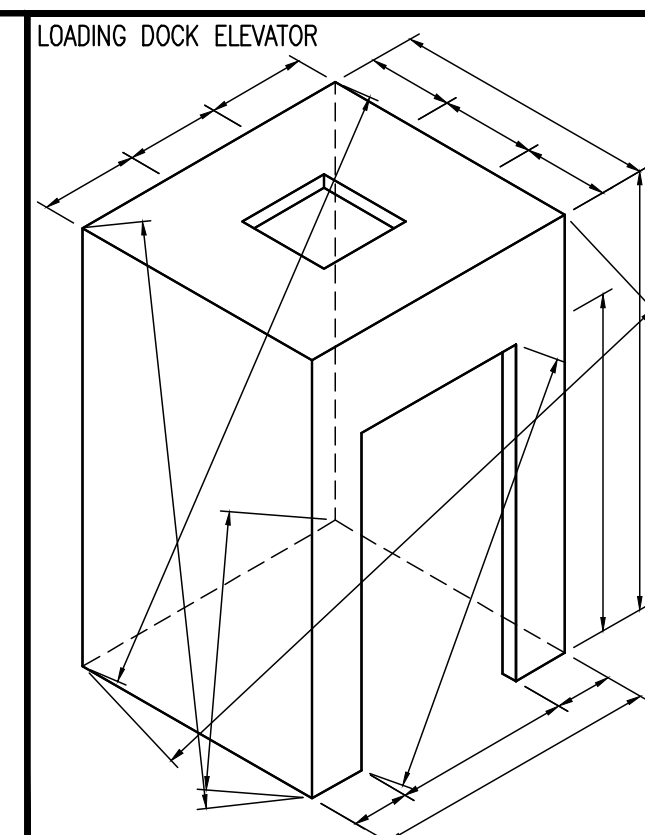
RELEASES FOR FABRICATION	
DATE	DESCRIPTION

TITLE:  
 ITEM NO:  
 DESC.: VERTICAL SECTIONS  
 DESC.: MEETING/CONFERENCE RM 6-7  
 By: PD Scale: As Noted Job No. Dwg. No.  
 Status: In Submittal Review Date: 2018-10-11 16-15

< Wróć



16-16 VERTICAL SECTION  
SCALE: 1-1/2" = 1'-0"  
Arch Ref.: 4/A-657



Loose to field  
Fixed in shop

THIS SPACE  
RESERVED  
FOR FINISH  
SCHEDULE

EXCLUSIONS:

EX-9	SHADOW LINE MOLDING
EX-10	LIGHT FIXTURE LUCIFER LIGHTNINGS (LA-114)
EX-11	LIGHT FIXTURE OCL-UJ1-CINA (LA-113)
EX-12	PERIMETER TRIM
EX-13	LIGHT FIXTURE USAI 3153 AC1 (LA-1038)
EX-14	SOUND MASKING SYSTEM LENCORE, SPECTRA I NET
EX-15	CEILING MOUNTED MICROPHONE, BASIS OF DESIGN, AUDIX W3W
EX-16	SPRINKLER HEAD
EX-17	OCCUPANCY SENSOR
EX-18	HEAVY DUTY T-BAR
EX-20	CEILING MOUNTED SPEAKER (S)
EX-21	CEILING MOUNTED DUAL-TECHNOLOGY VACANCY SENSOR (VS)

DRAWING SUBMITTALS AND RETURNS

DATE	PURPOSE	TO	RETURN	RETURN STATUS

DRAWING REVISIONS

DATE	DESCRIPTION	REVISED BY	COMMENTS
1			
2			
3			
4			
5			
6			
7			
8			
9			
10			

RELEASES FOR FABRICATION

DATE	DESCRIPTION

TITLE:  
ITEM NO:  
DESC.: VERTICAL SECTIONS  
DESC.: MEETING/CONFERENCE RM 6-7  
By: PD Scale: As Noted Job No. Dwg. No.  
Status: In Submittal Review Date: 2018-10-11 16-16





# MILLER BLAKER SUBMITTAL DRAWING CHECKLIST

BY	DATE	CHECKLIST FOR ORIGINAL DRAFTING	COMMENTS
		ARCHITECTURAL ELEVATIONS CHECKED AGAINST RCP FOR CEILING HEIGHTS AND SOFFITS	
		DRAWINGS CHECKED FOR INCLUSION OF ALL ITEMS IN SCOPE	
		NOTIFIED ENGINEERING MANAGER OF DISCREPANCIES BETWEEN SCOPE AND ARCHITECTURALS	
		MATERIALS CHECKED AGAINST SCOPE TO VERIFY WHETHER PROVIDED BY MB	
		ALL FINISHES ACCURATELY LISTED AND ASSIGNED TO DRAWING	
		ALL VISIBLE MILLWORK ELEVATED INCLUDING FINISHED END PANELS AND SOFFITS	
		ALL MARKERS AND TAGS CHECKED AND VERIFIED TO BE CORRECT	
		CASEWORK DRAWN PER MB STANDARDS WHEREVER POSSIBLE	
		APPLIANCES CHECKED AGAINST CUTS AND CUSTOM PANEL DRAWINGS CREATED AS NEEDED	
		DOOR HARDWARE SHOWN TO THE EXTENT POSSIBLE PER HARDWARE SCHEDULE AND CUTS	
		HARDWARE LOCATIONS DIMENSIONED OR REQUESTED FROM ENGINEERING MANAGER	
		TITLE BLOCK FILLED OUT COMPLETELY AND ACCURATELY - IE SHEET NUMBERS AND DESCRIPTIONS	
		ALL CABINET HARDWARE ACCURATELY LISTED INCLUDING FINISHES	
		ALL SPELLING CHECKED AND VERIFIED TO BE CORRECT	
		MODEL SPACE LEFT CLEAN OF UN-NEEDED GEOMETRY	
		NOTES REGARDING WATERPROOF CORES INCLUDED WHERE APPLICABLE	
		ELEVATIONS DRAWN WITH REFERENCES TO BENCHMARK	
		ALL ROUGH OPENINGS CLEARLY DIMENSIONED AND REFERENCED TO BENCHMARK	
		ALL DOORS BY MB TAGGED CORRECTLY IN MODELSPACE	
		ALL DOOR SWINGS VERIFIED TO BE SHOWN AND SCHEDULED CORRECTLY	

USE ATTRIBUTE EDIT COMMAND ON AN ITEM TO EDIT USERNAME, DATE, AND COMMENTS

✓	PD	2018-MM-DD	CHECKLIST ITEM	NO FOLLOW UP NEEDED
⚠	PD	2018-MM-DD	CHECKLIST ITEM	NEEDS FOLLOW UP
✓	NA	NA	CHECKLIST ITEM	PD

Date Drawn:	X	Dwg# <b>X</b>
Drawn by:	X	



## REVISION CHECKLIST

BY	DATE	CHECKLIST FOR DRAWING REVISIONS	COMMENTS
		ALL REDLINE REVISIONS MADE AND HIGHLIGHTED ON PRINTED COPY	
		ALL IMPLICATIONS OF REDLINE MARKUPS CONSIDERED AND CORRECTED	
		ENGINEERING MANAGER NOTIFIED VIA EMAIL OF ALL POSSIBLE CHANGE ORDERS	
		ALL VISIBLE MILLWORK ELEVATED INCLUDING FINISHED END PANELS AND SOFFITS	
		PLAN AND VERTICAL SECTIONS CROSS CHECKED FOR ACCURACY	
		ALL MARKERS AND TAGS CHECKED AND VERIFIED TO BE CORRECT	
		ALL GRAIN DIRECTIONS CLEARLY INDICATED INCLUDING WOOD, METAL, AND PLAM FINISHES	
		APPLIANCES CHECKED AGAINST CUTS AND CUSTOM PANEL DRAWINGS CREATED AS NEEDED	
		DOOR HARDWARE SHOWN TO THE EXTENT POSSIBLE PER HARDWARE SCHEDULE AND CUTS	
		HARDWARE LOCATIONS DIMENSIONED OR REQUESTED FROM ENGINEERING MANAGER	
		ALL CABINET HARDWARE ACCURATELY LISTED INCLUDING FINISHES	
		ALL FINISHES ACCURATELY LISTED , INDICATED ON DRAWINGS, AND ASSIGNED TO SERIES	
		MATERIALS CHECKED AGAINST SCOPE TO VERIFY WHETHER PROVIDED BY MB	
		ALL NECESSARY FIELD DIMENSIONS INDICATED ON DRAWINGS	
		ALL FIELD DIMENSIONS APPLIED, ALL VIF DIMENSIONS REPLACED WTH FD	
		ENGINEERING MANAGER NOTIFIED OF MISSING FIELD DIMENSIONS	
		ALL +- INDICATIONS REMOVED EXCEPT WHERE SCRIBE IS INVOLVED	
		ALL LOOSE JOINTS INDICATED CLEARLY	
		COMPONENT SIZES CHECKED AGAINST ELEVATOR SIZE TO ENSURE ACCESS	
		UNUSED GEOMETRY DELETED FROM DRAWING	
		UNUSED PAPERSPACE TABS DELETED FROM DRAWING	
		ALL RESOLVED QUESTIONS, CLOUDS, AND NOTES REMOVED FROM DRAWING	
		ENGINEERING MANAGER NOTIFIED BY EMAIL OF ANY NEW ISSUES WHICH REQUIRE ANSWERS	
		ITEMS READY FOR FABRICATION CLEARLY INDICATED OR ITEMS ON HOLD CLEARLY INDICATED	

USE ATTRIBUTE EDIT COMMAND ON AN ITEM TO EDIT USERNAME, DATE, AND COMMENTS

✓	DZALE	10/21/14	CHECKLIST ITEM	NO FOLLOW UP NEEDED
↓	dzale	10/21/14	CHECKLIST ITEM	NEEDS FOLLOW UP
✓	NA	NA	CHECKLIST ITEM	NOT APPLICABLE

Date Drawn:	X	Dwg# <b>X</b>
Drawn by:	X	