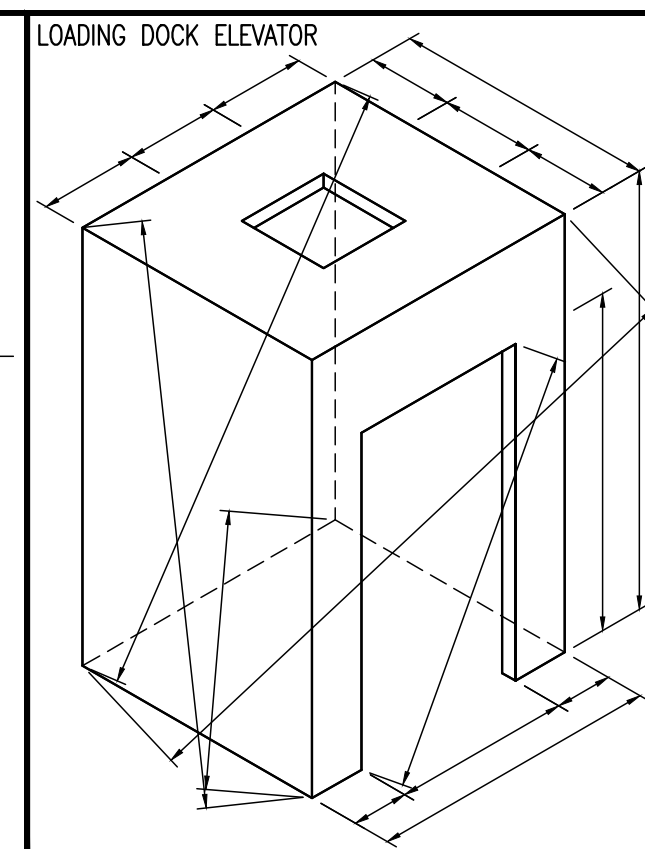
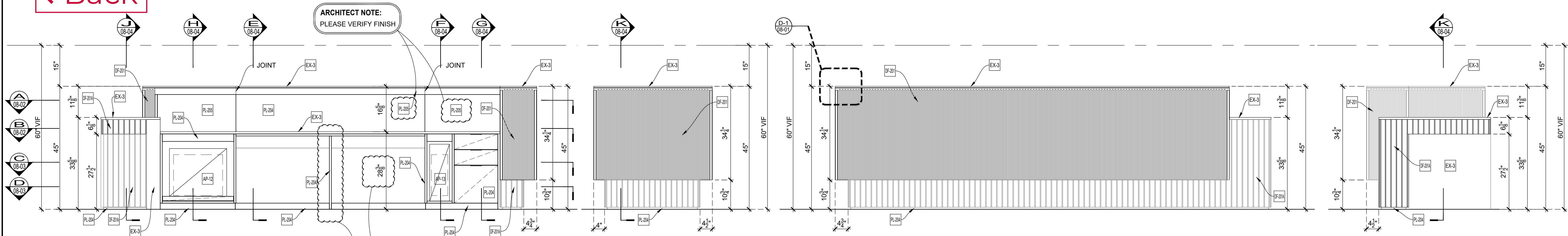


< Back



LOADING DOCK ELEVATOR
 ☒ Loose to field
 ☑ Fixed in shop

THIS SPACE RESERVED FOR FINISH SCHEDULE



01 ELEVATION
 SCALE: 1/2" = 1'-0"
 Archt Ref.: 1/A-665.00

ARCHITECT NOTE:
 AS PER COUNTERTOP WIDTH WE SUGGEST SUPPORT LEG. PLEASE CONFIRM

02 ELEVATION
 SCALE: 1/2" = 1'-0"
 Archt Ref.: 6/A-665.00

ARCHITECT NOTE:
 PLEASE VERIFY DIMENSION AS PER ELEVATION (1/A-665.00) & LONG SECTION (2/A-666.00) IS 2'-4 1/2" BUT AS PER VERTICAL SECTION (3,4,5,7/A-666.00) IS 2'-4 3/8"

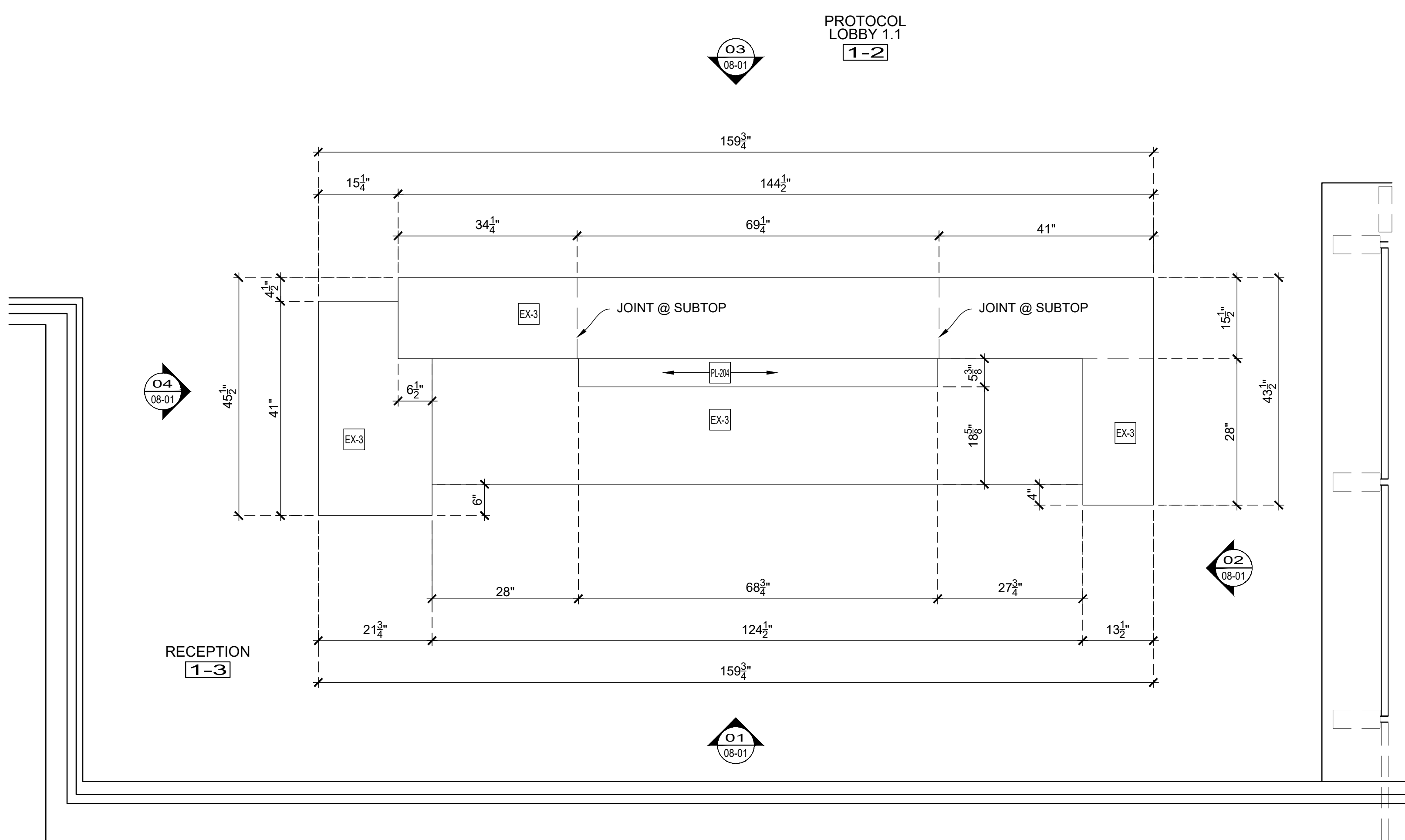
03 ELEVATION
 SCALE: 1/2" = 1'-0"
 Archt Ref.: 7/A-665.00

04 ELEVATION
 SCALE: 1/2" = 1'-0"
 Archt Ref.: 5/A-665.00

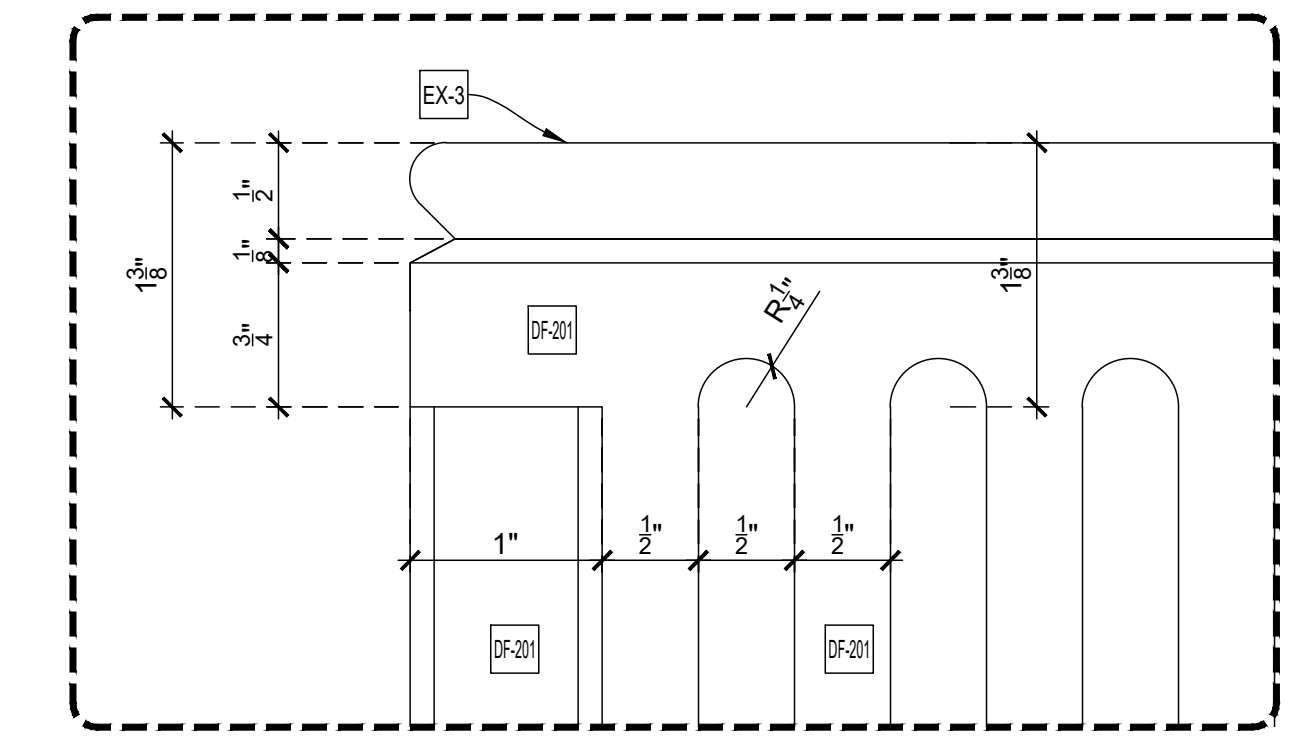
STONE (EX-3) WILL BE INSTALL AT LAST

ARCHITECT NOTE:
 PLEASE PROVIDE MODEL & MANUFACTURE OF PULL

ARCHITECT NOTE:
 PLEASE VERIFY IF GROMMET REQ'D. IF REQ'D PLEASE PROVIDE MODEL, MANUFACTURE, QUANTITY AND LOCATION



05 PLAN
 SCALE: 1/2" = 1'-0"
 Archt Ref.: A-101.00



D-1 DETAIL
 SCALE: FULL SCALE
 Archt Ref.: 10/A-665.00

EQUIPMENT LIST			
FURNISHED AND INSTALLED BY OTHERS			
AP-12	PRINTER	D: _____	W: _____ H: _____
AP-13	CPU	D: _____	W: _____ H: _____
AP-14	MONITOR	D: _____	W: _____ H: _____

ARCHITECT NOTE:
 PLEASE PROVIDE SPECIFICATION AND CUTSHEET FOR COORDINATION

APPLIANCE:			
AP-12	PRINTER		
AP-13	CPU		
AP-14	MONITOR		
EXCLUSIONS:			
EX-3	STONE COUNTERTOP SS-203		

DRAWING SUBMITTALS AND RETURNS				
DATE	PURPOSE	TO	RETURN	RETURN STATUS

DRAWING REVISIONS			
DATE	DESCRIPTION	REVISED BY	COMMENTS
1			
2			
3			
4			
5			
6			
7			
8			
9			
10			

RELEASES FOR FABRICATION	
DATE	DESCRIPTION

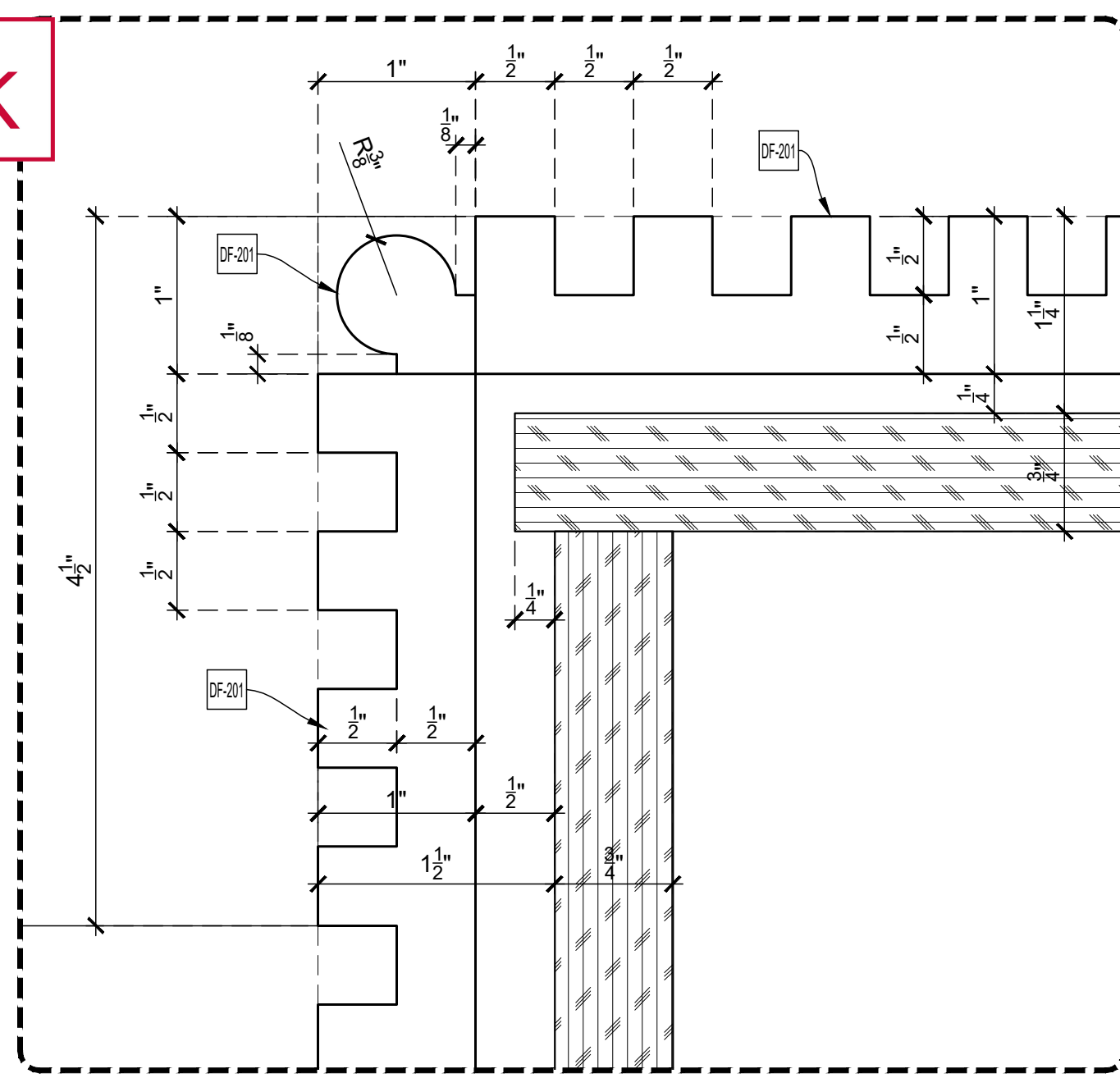
PROJECT
 LOCATION
 ARCHITECT
 CONTRACTOR

TITLE:
 ITEM NO:
 DESC.: PLAN, ELEVATIONS, DETAIL
 DESC.: RECEPTION DESK
 By: PD Scale: As Noted Job No. Dwg. No.
 Status: In Submittal Review Date: 2018-10-10 08-01

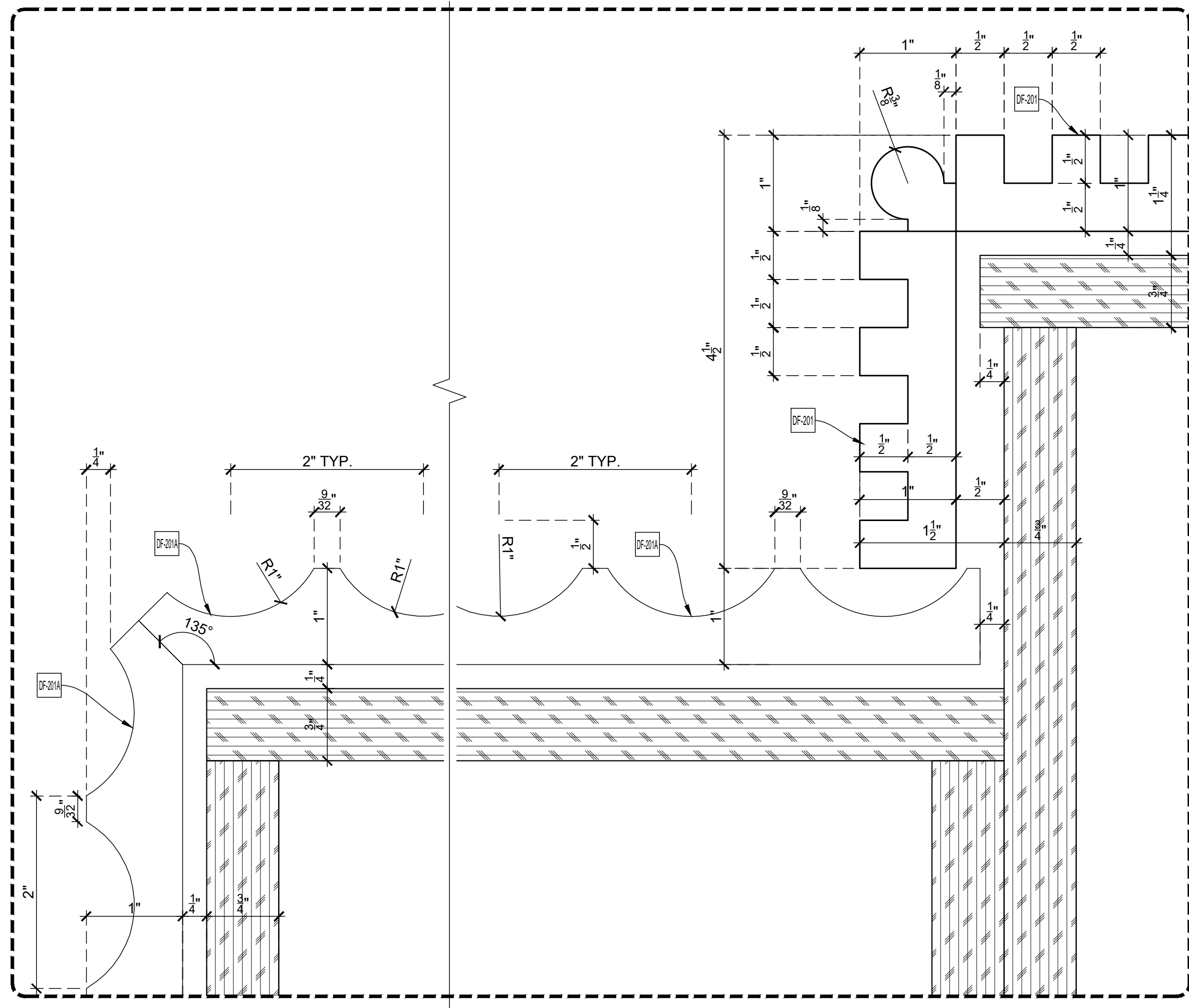
THIS SPACE RESERVED FOR HARDWARE SCHEDULE

THIS SPACE RESERVED FOR GENERAL NOTES

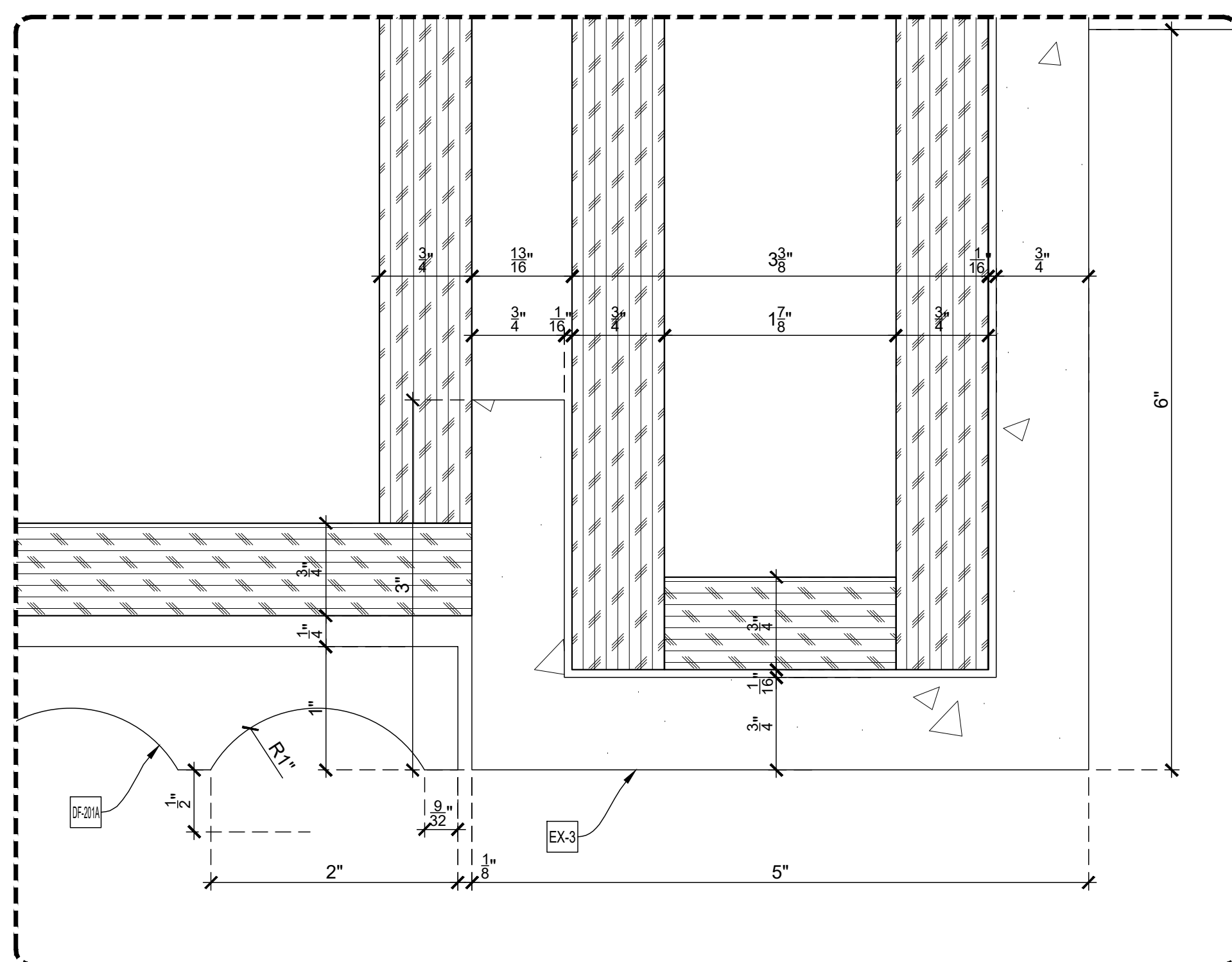
[← Back](#)



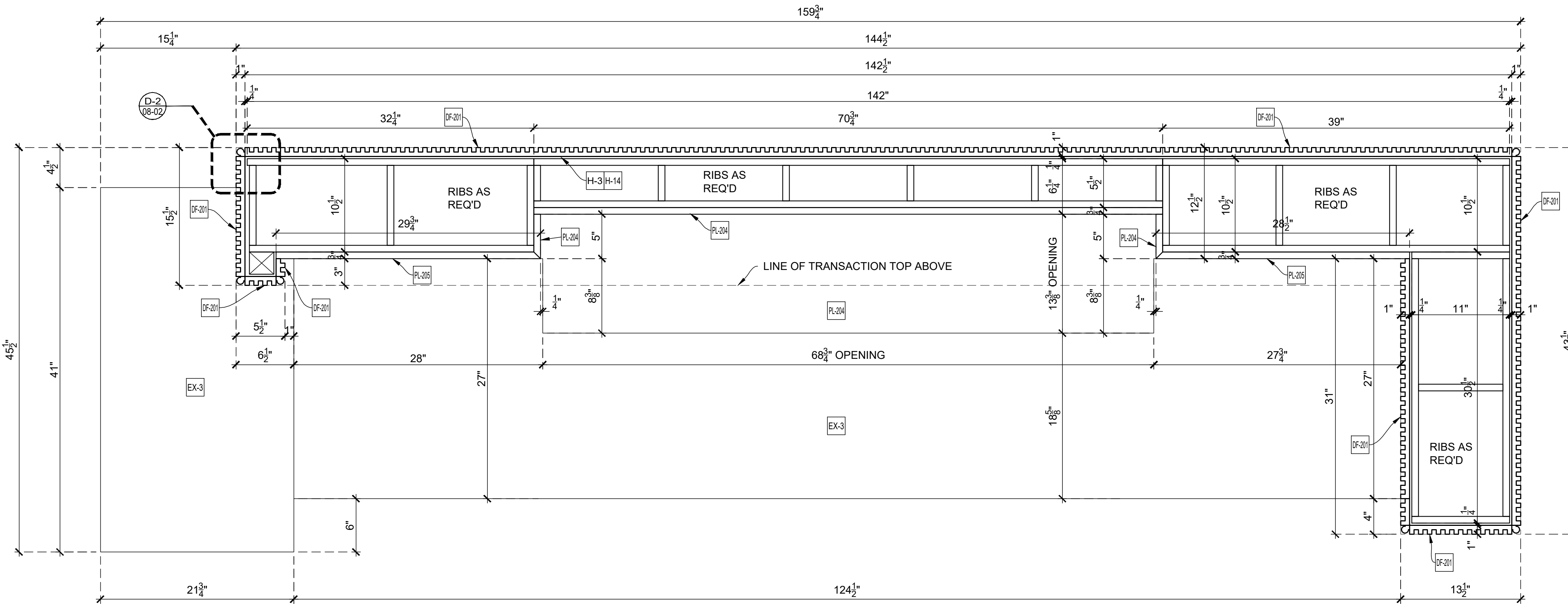
D-2 DETAIL
SCALE: FULL SCALE
Arch't Ref.: 12/A-665.00 (SIM)



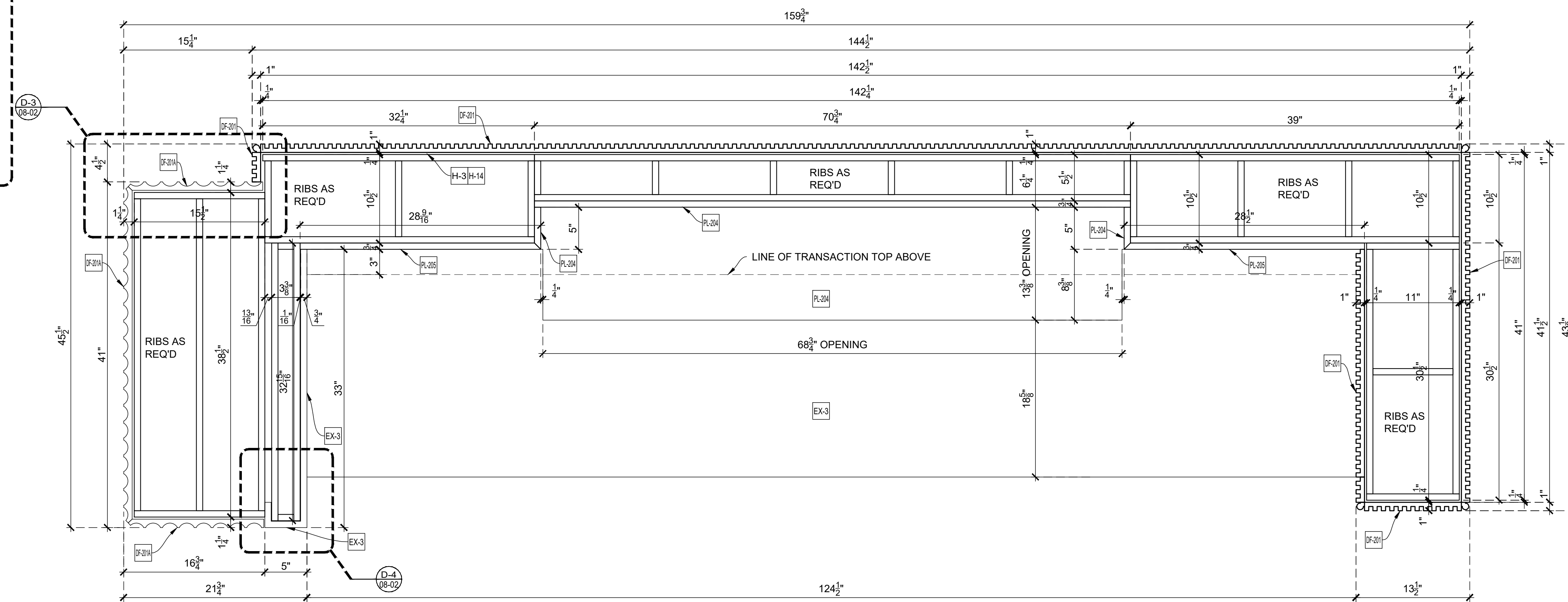
D-3 DETAIL
SCALE: FULL SCALE
Arch't Ref.: 14/A-665.00



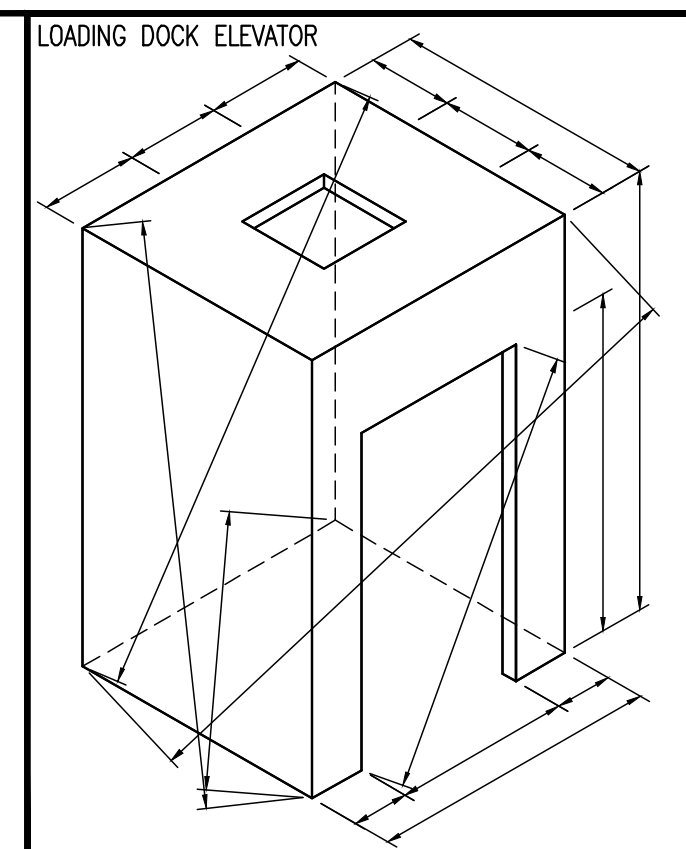
D-4 DETAIL
SCALE: FULL SCALE
Arch't Ref.:



PLAN SECTION
SCALE: 1-1/2" = 1'-0"
Arch't Ref.: 2/A-665.00



PLAN SECTION
SCALE: 1-1/2" = 1'-0"
Arch't Ref.: NONE



Loose to field
Fixed in shop

THIS SPACE
RESERVE
FOR FINISH
SCHEDULE

APPLIANCE:

- AP-12 PRINTER
- AP-13 CPU
- AP-14 MONITOR

EXCLUSIONS:

- EX-3 STONE COUNTERTOP SS-203

DRAWING SUBMITTALS AND RETURNS				
DATE	PURPOSE	TO	RETURN	RETURN STATUS

DRAWING REVISIONS				
DATE	DESCRIPTION	REVISED BY	COMMENTS	
1				
2				
3				
4				
5				
6				
7				
8				
9				
10				

RELEASES FOR FABRICATION	
DATE	DESCRIPTION

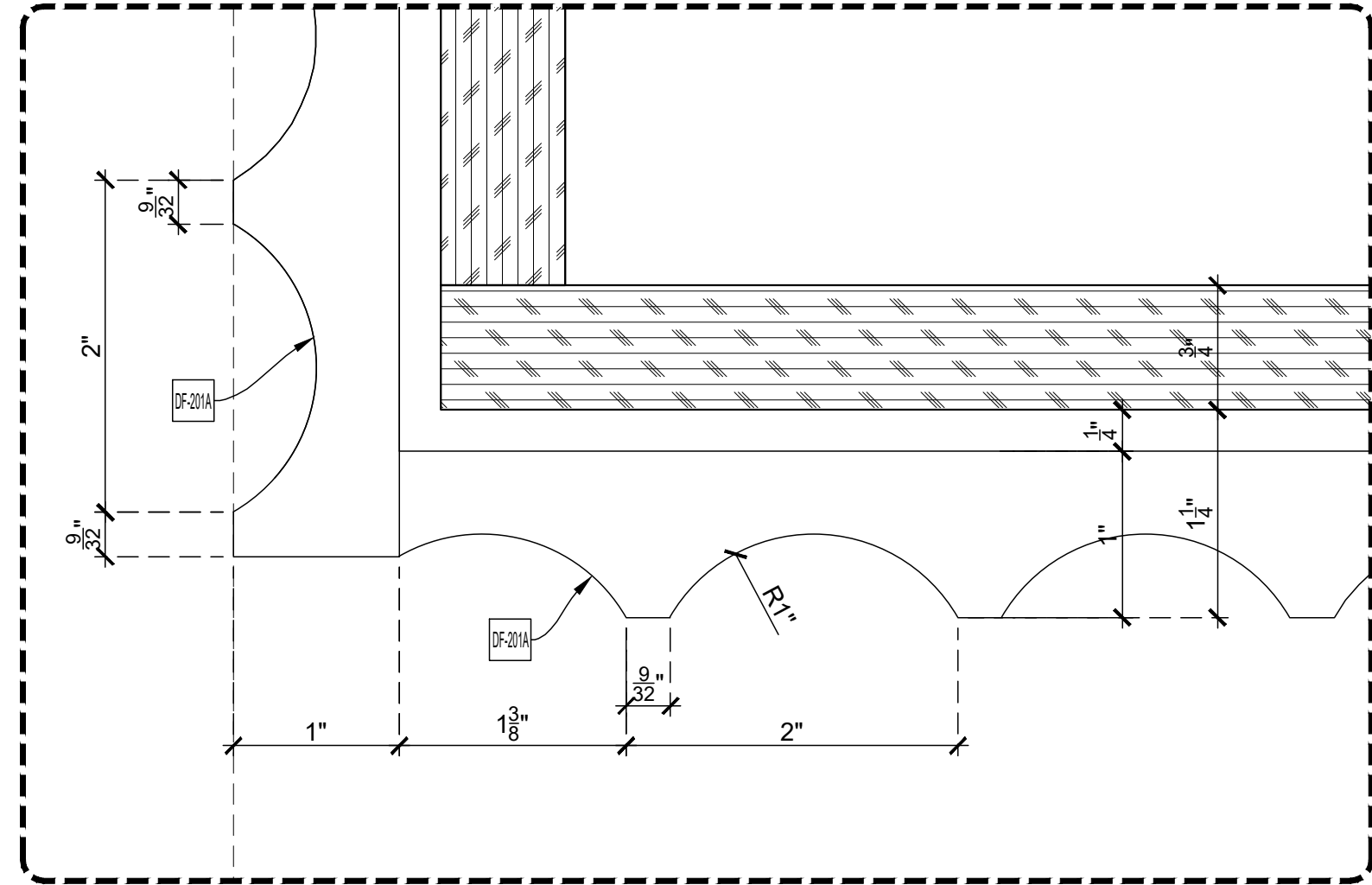
PROJECT
LOCATION
ARCHITECT
CONTRACTOR

TITLE:
ITEM NO:
DESC: SECTIONS, DETAILS
DESC: RECEPTION DESK

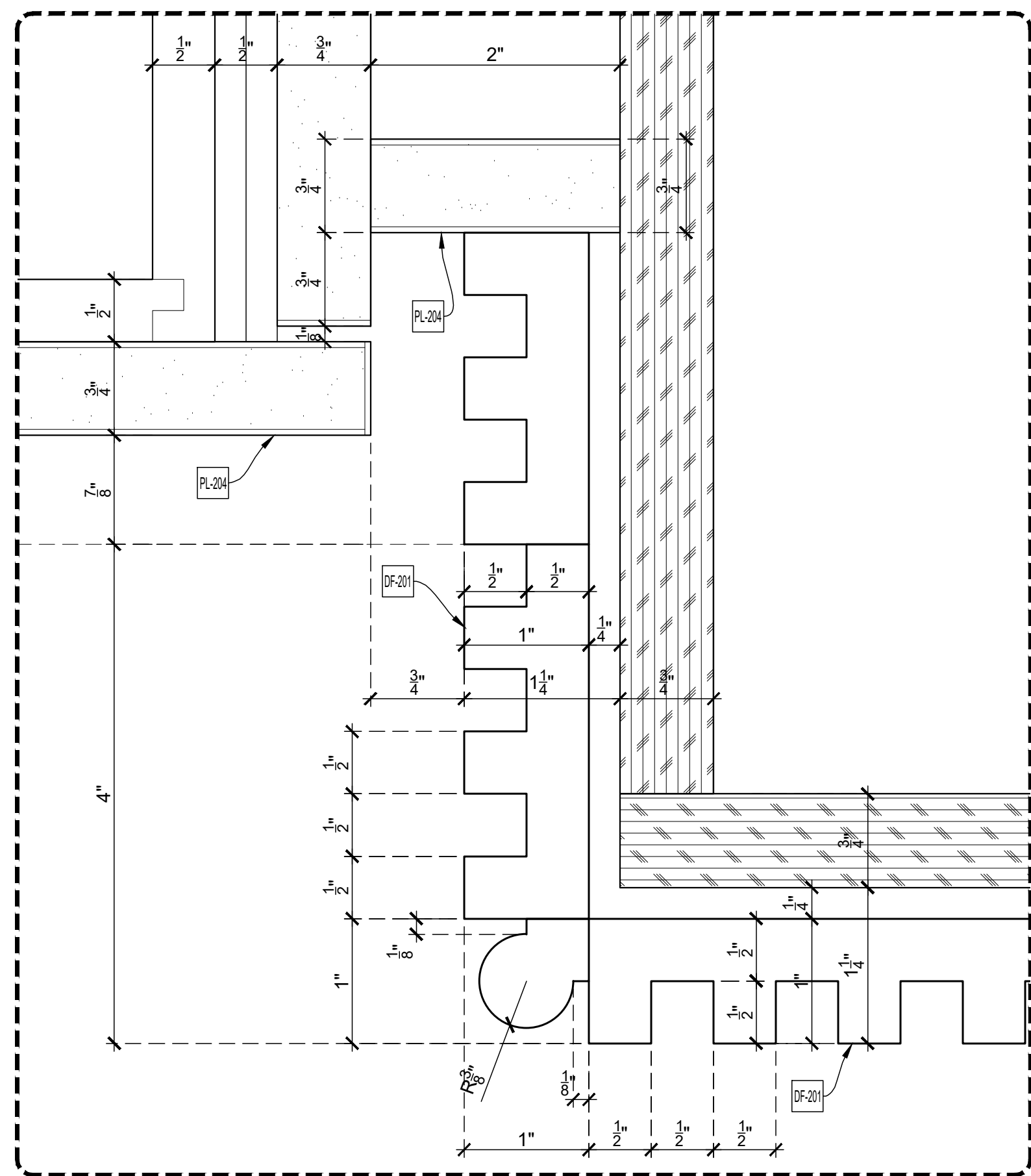
By: PD Scale: As Noted Job No. Dwg. No.

Status: In Submittal Review Date: 2018-10-10 **843 08-02**

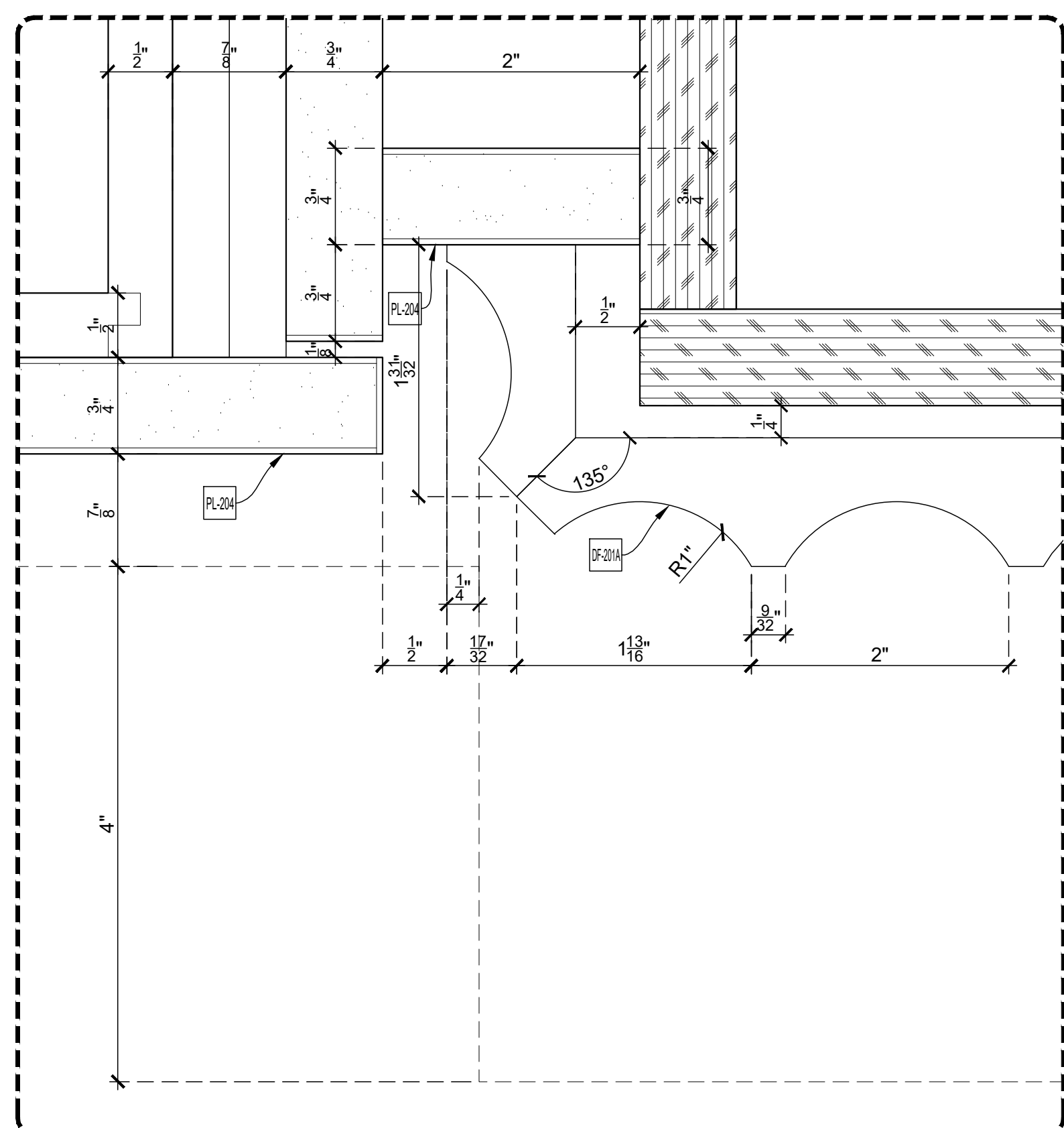
[← Back](#)



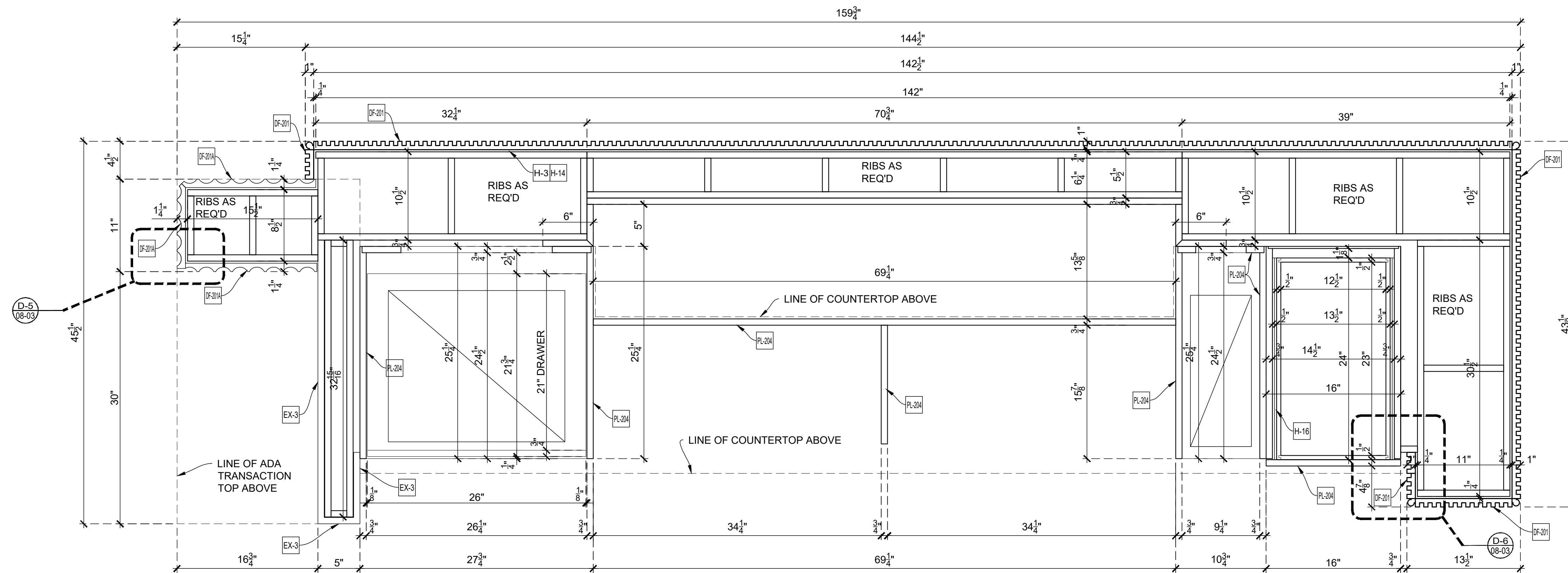
D-5 DETAIL
SCALE: FULL SCALE
Arch't Ref.: 14/A-665.00 (SIM)



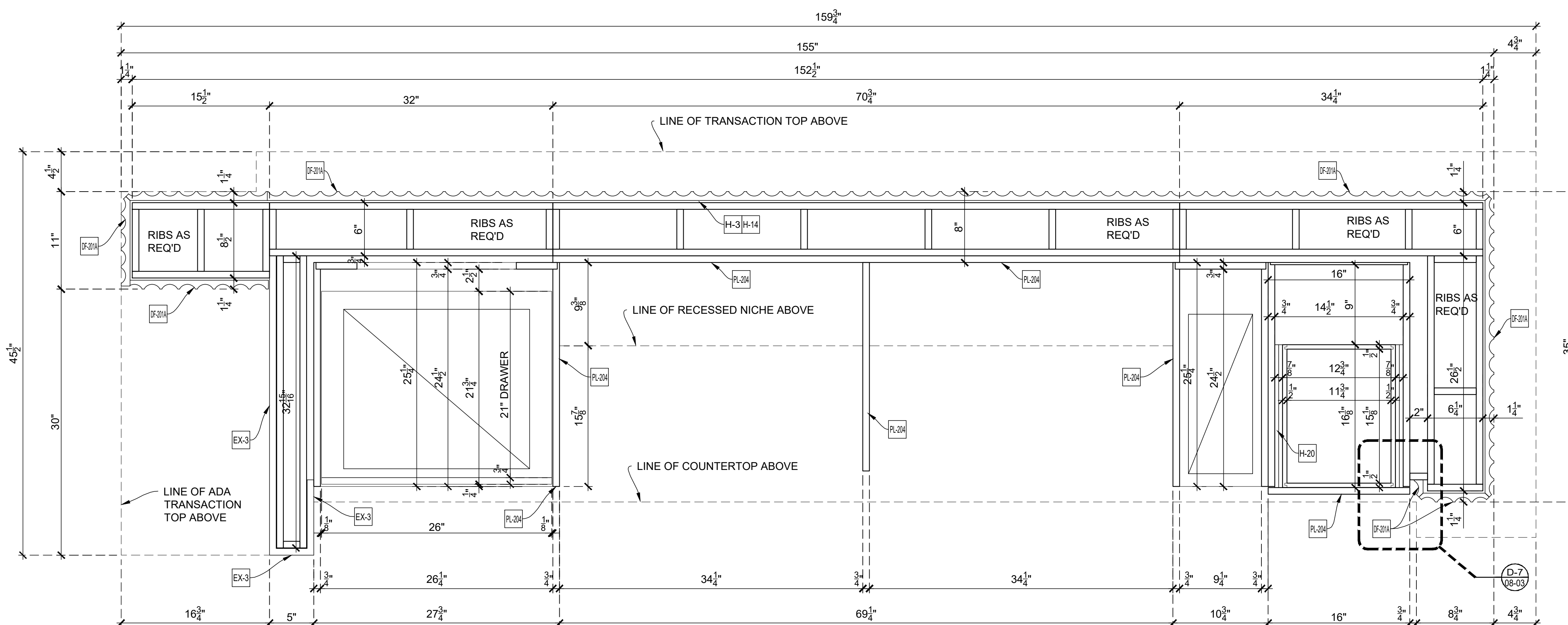
D-6 DETAIL
SCALE: FULL SCALE
Arch't Ref.: 15/A-665.00



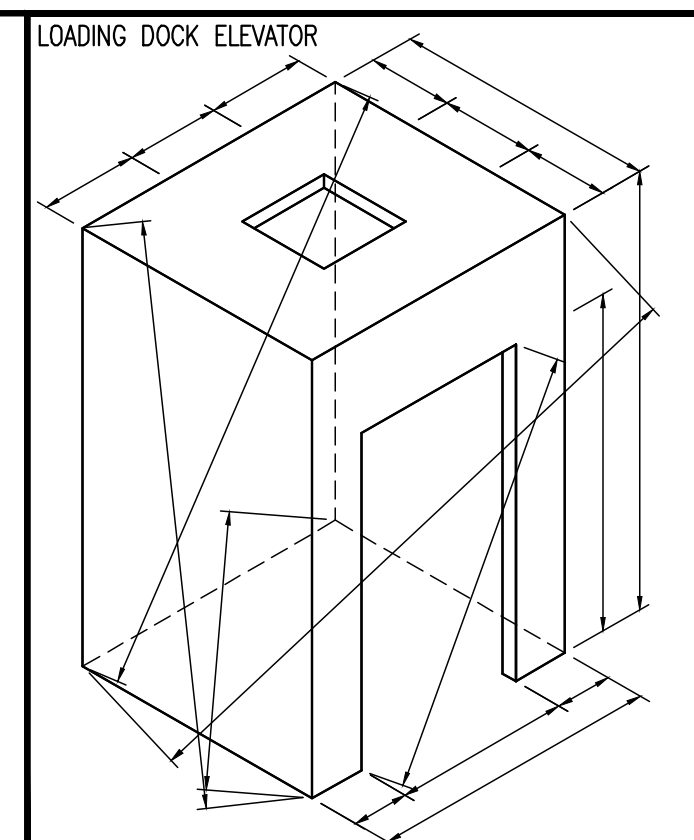
D-7 DETAIL
SCALE: FULL SCALE
Arch't Ref.: 15/A-665.00 (SIM)



C PLAN SECTION
SCALE: 1-1/2" = 1'-0"
Arch't Ref.: 3/A-665.00



D PLAN SECTION
SCALE: 1-1/2" = 1'-0"
Arch't Ref.: 4/A-665.00



LOADING DOCK ELEVATOR
 Loose to field
 Fixed in shop

THIS SPACE
RESERVED
FOR FINISH
SCHEDULE

APPLIANCE:

AP-12 PRINTER
 AP-13 CPU
 AP-14 MONITOR

EXCLUSIONS:

EX-3 STONE COUNTERTOP SS-203

DRAWING SUBMITTALS AND RETURNS

DATE	PURPOSE	TO	RETURN	RETURN STATUS

DRAWING REVISIONS

DATE	DESCRIPTION	REVISED BY	COMMENTS
1			
2			
3			
4			
5			
6			
7			
8			
9			
10			

RELEASES FOR FABRICATION

DATE	DESCRIPTION

PROJECT

LOCATION

ARCHITECT

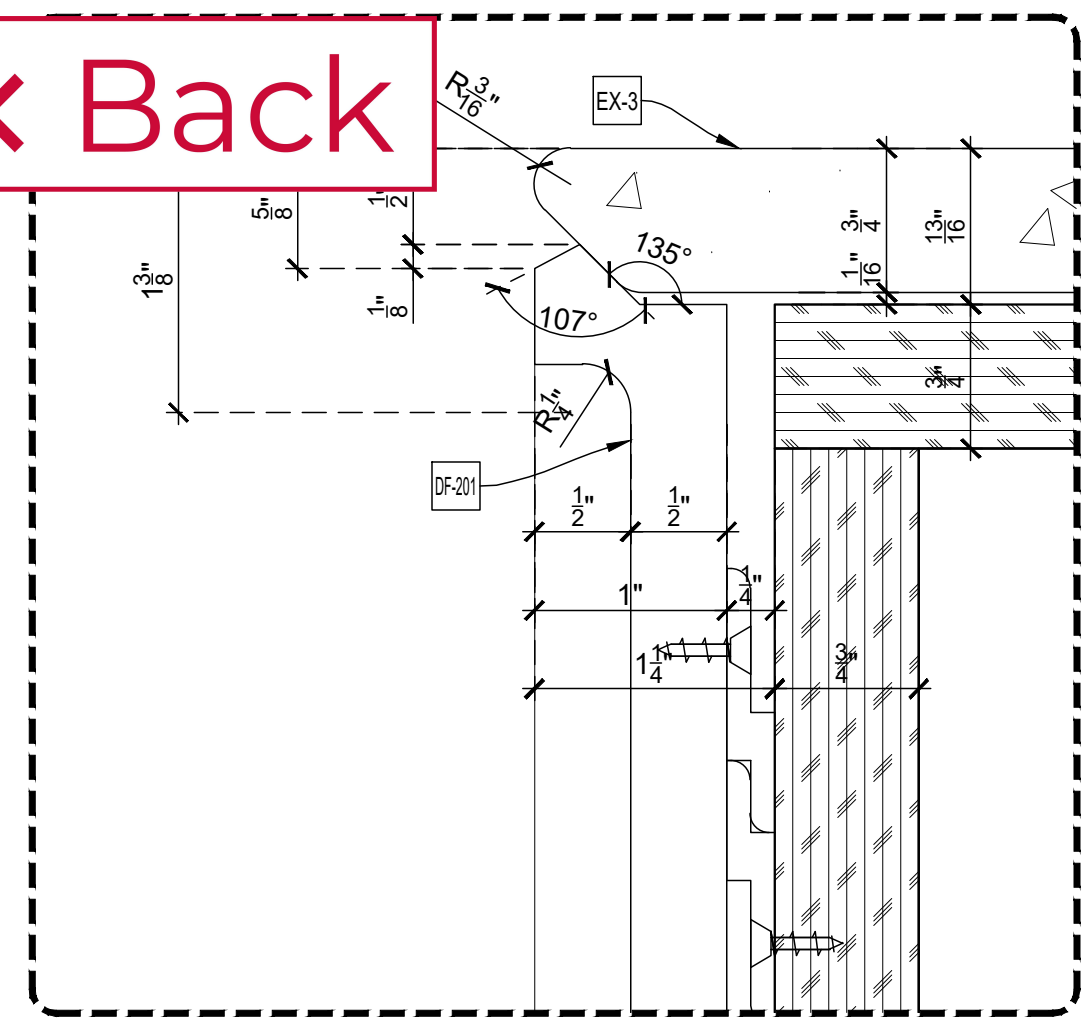
CONTRACTOR

TITLE:
 ITEM NO:
 DESC.: SECTIONS, DETAILS
 DESC.: RECEPTION DESK

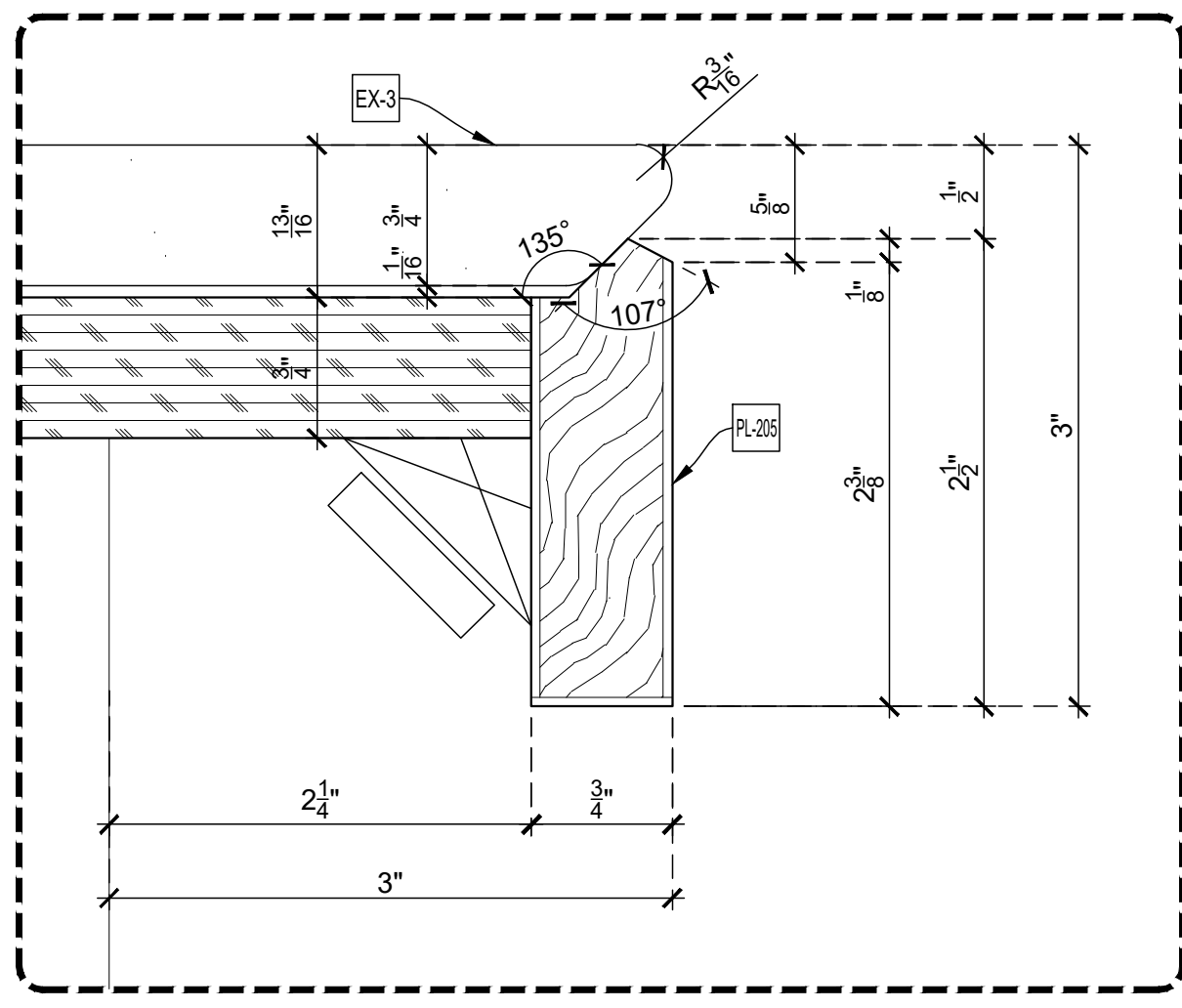
By: PD Scale: As Noted Job No. Dwg. No.

Status: In Submittal Review Date: 2018-10-10 **08-03**

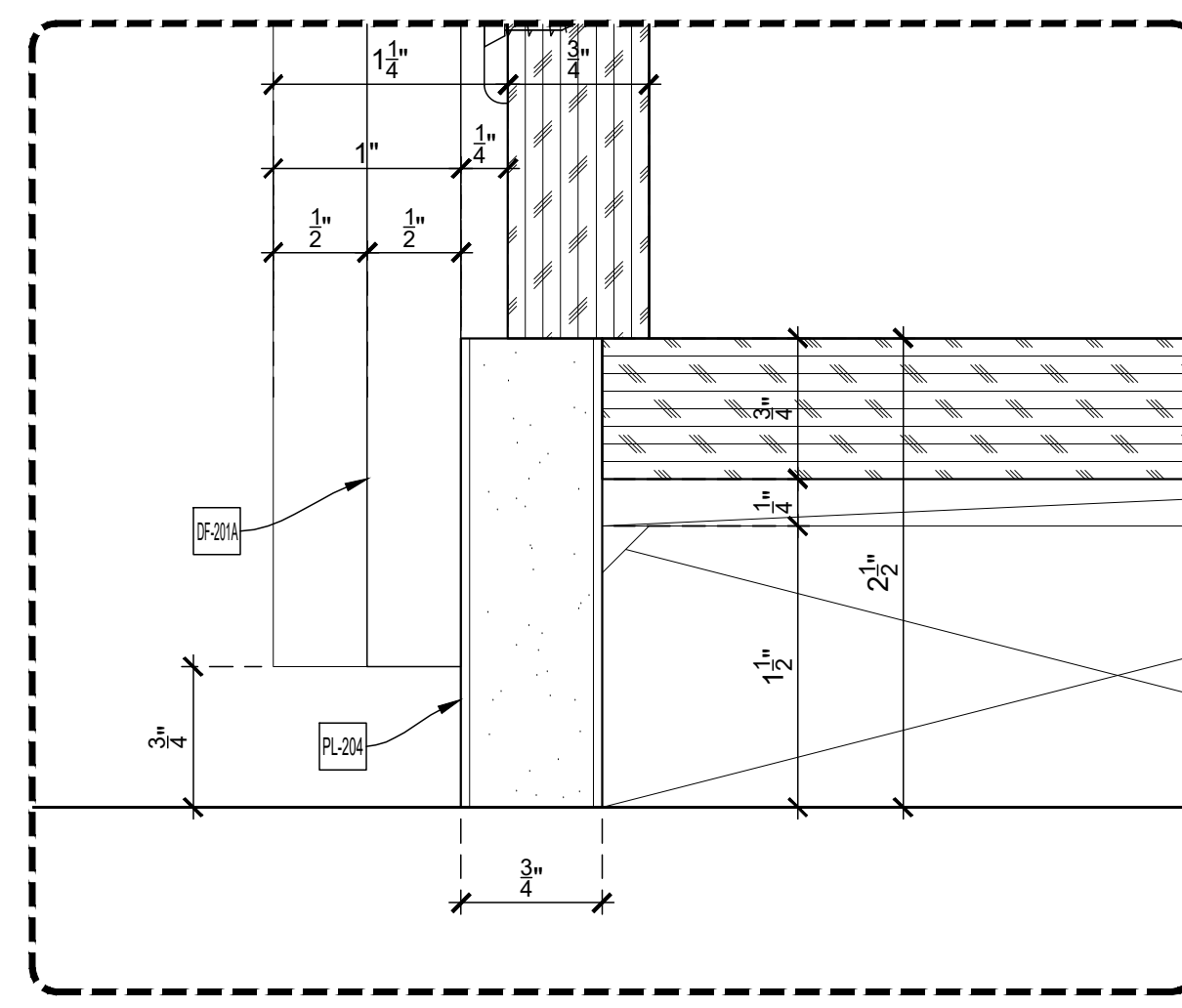
< Back



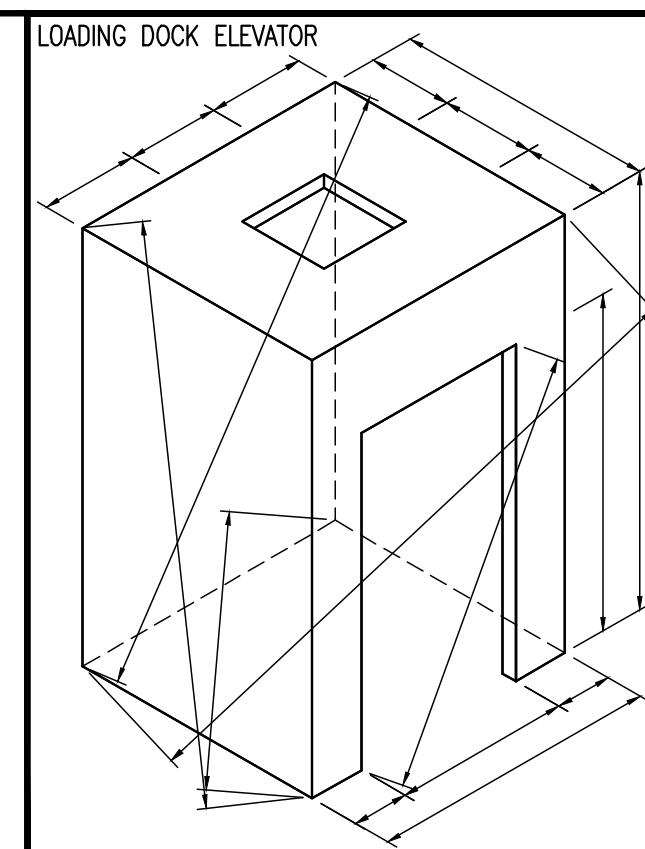
D-8 DETAIL
SCALE: FULL SCALE
Arch't Ref.: 8/A-666.00



D-9 DETAIL
SCALE: FULL SCALE
Arch't Ref.: 9/A-666.00



D-10 DETAIL
SCALE: FULL SCALE
Arch't Ref.:



Loose to field
Fixed in shop

THIS SPACE IS RESERVED FOR FINISH SCHEDULE

APPLIANCE:

- AP-12 PRINTER
- AP-13 CPU
- AP-14 MONITOR

EXCLUSIONS:

- EX-3 STONE COUNTERTOP SS-203

DRAWING SUBMITTALS AND RETURNS

DATE	PURPOSE	TO	RETURN	RETURN STATUS

DRAWING REVISIONS

DATE	DESCRIPTION	REVISED BY	COMMENTS
1			
2			
3			
4			
5			
6			
7			
8			
9			
10			

RELEASES FOR FABRICATION

DATE	DESCRIPTION

PROJECT

LOCATION

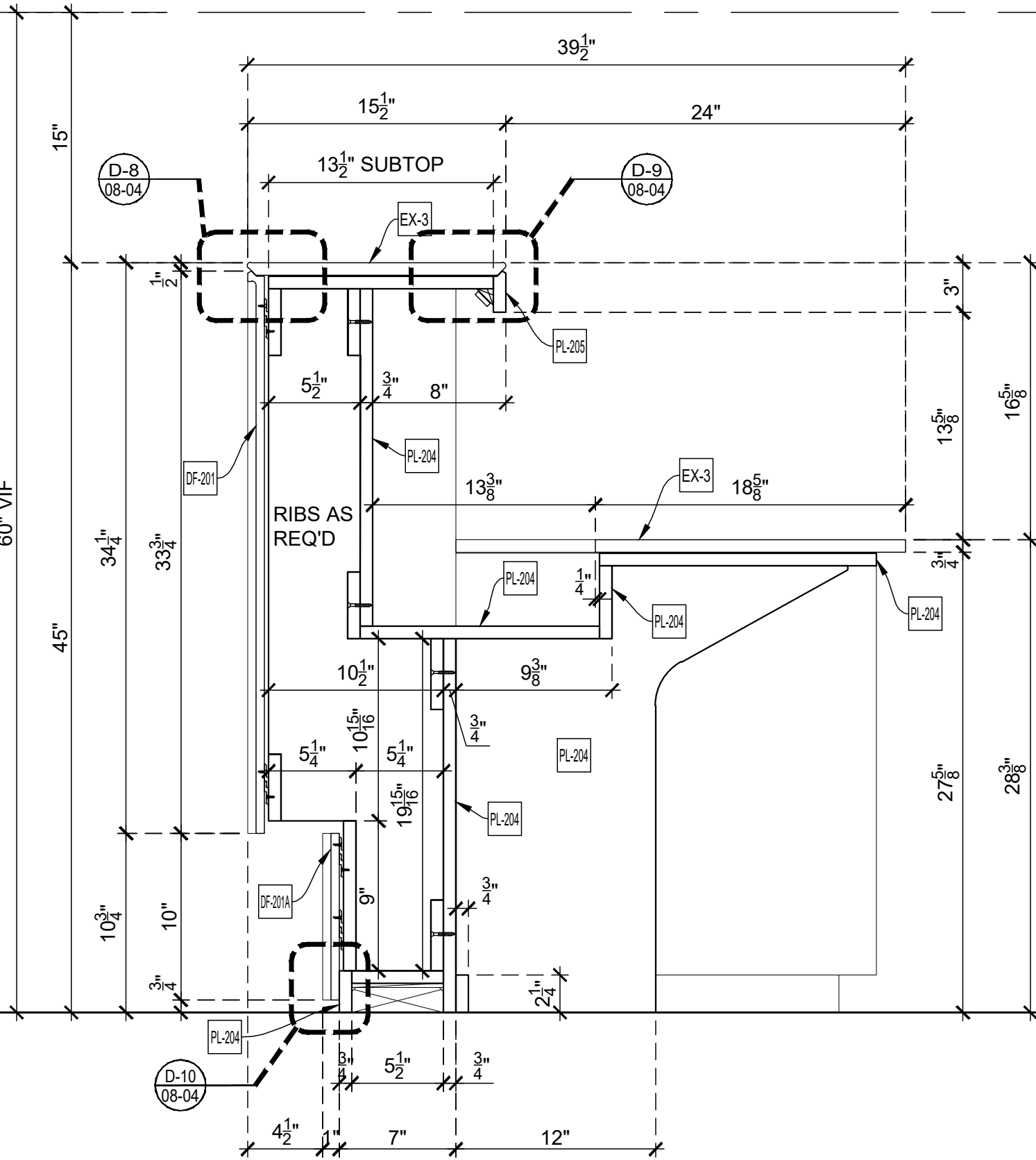
ARCHITECT

CONTRACTOR

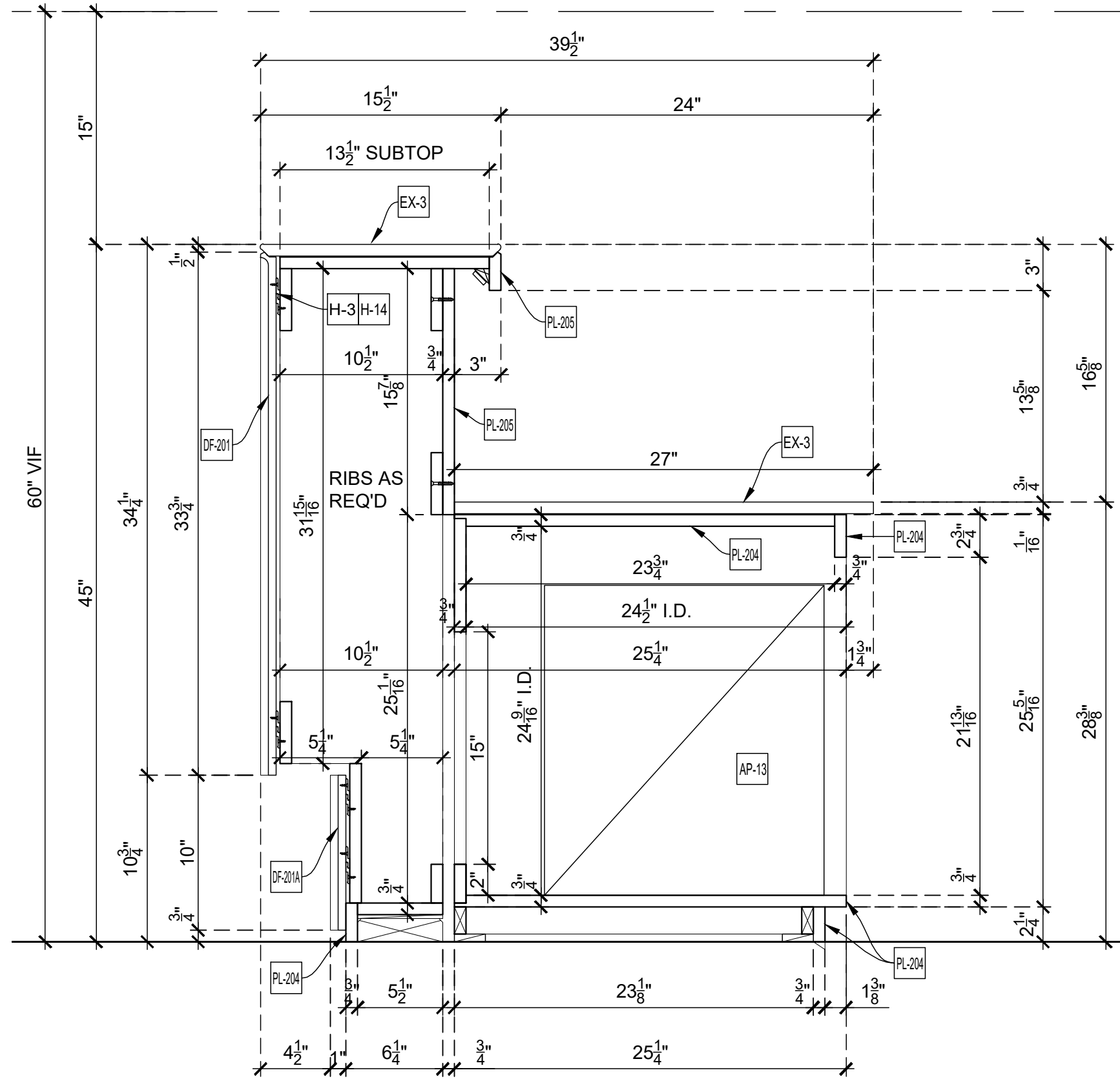
TITLE:
ITEM NO:
DESC.: SECTIONS, DETAILS
DESC: RECEPTION DESK

By: PD Scale: As Noted Job No. Dwg. No.

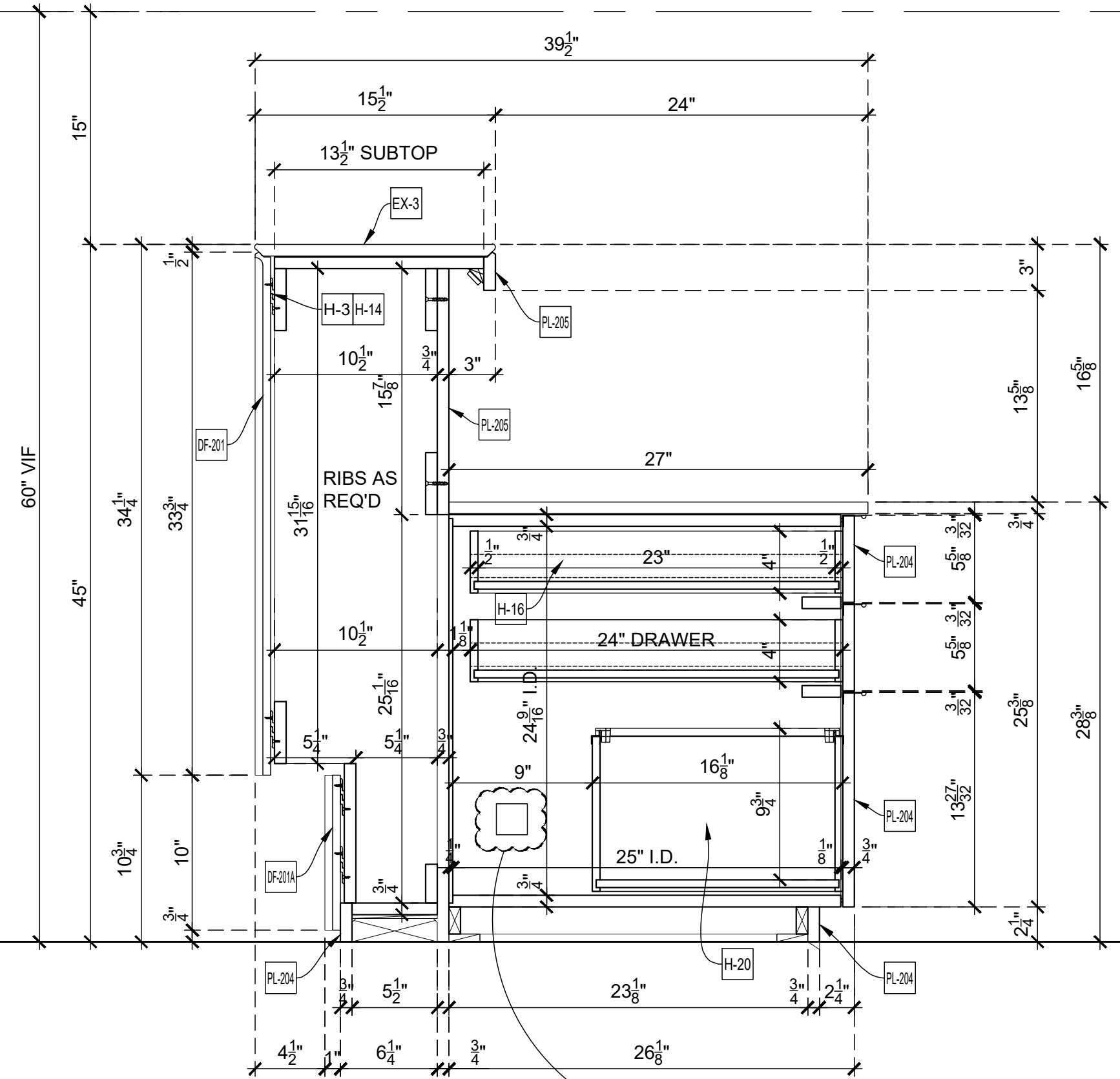
Status: In Submittal Review Date: 2018-10-10 **08-04**



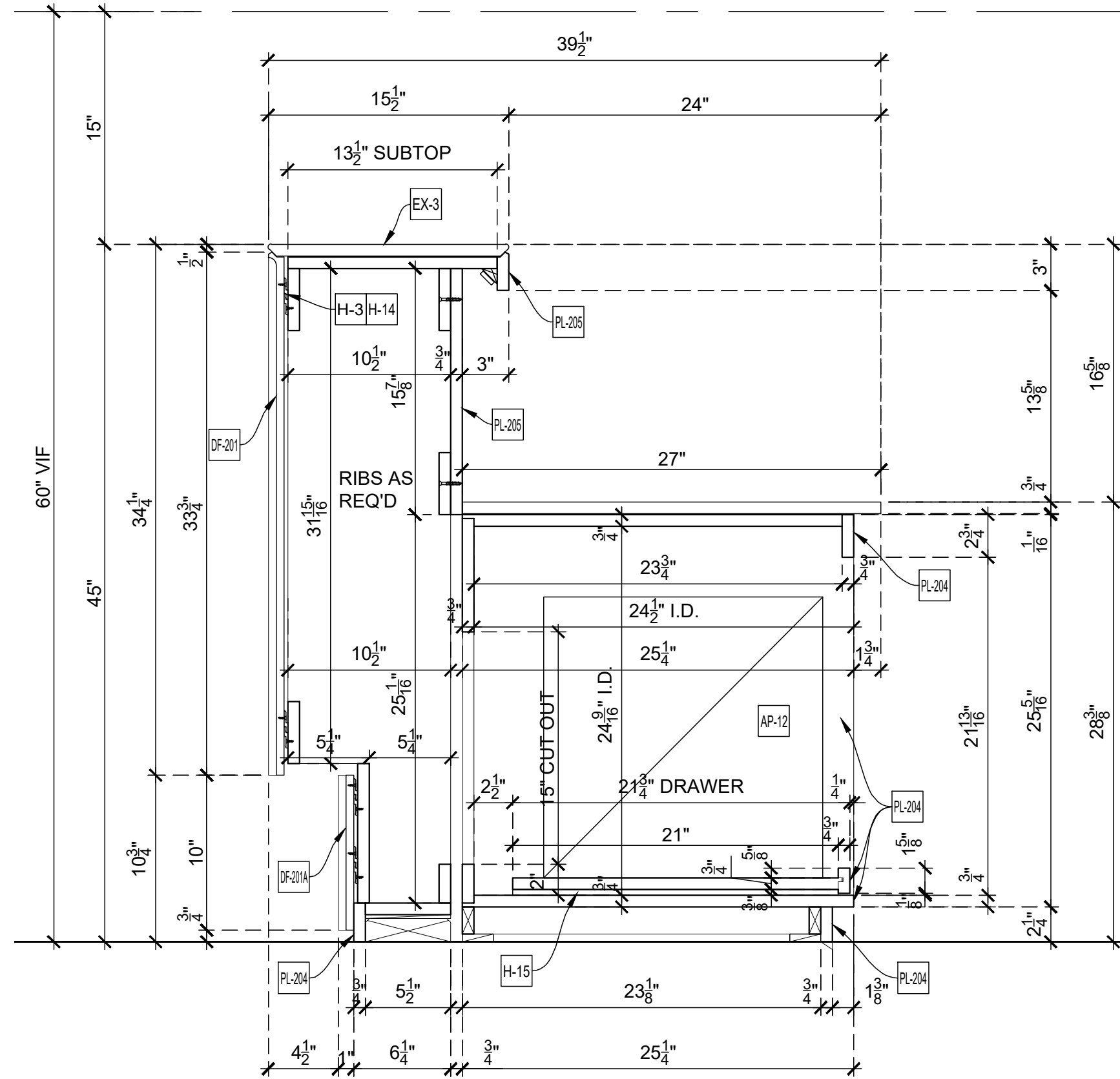
E VERTICAL SECTION
SCALE: 1-1/2" = 1'-0"
Arch't Ref.: 4/A-666.00



F VERTICAL SECTION
SCALE: 1-1/2" = 1'-0"
Arch't Ref.: 5/A-666.00



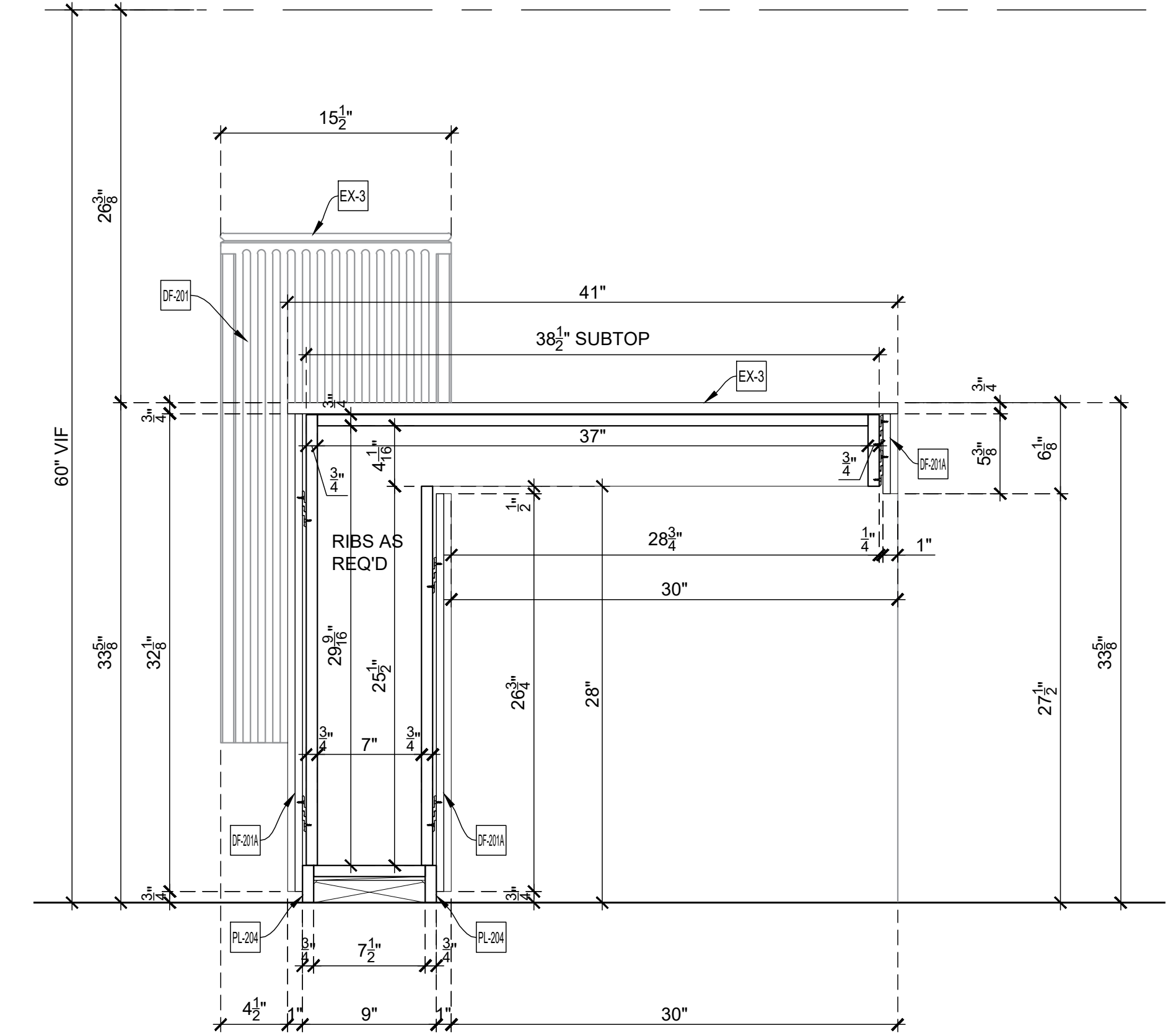
G VERTICAL SECTION
SCALE: 1-1/2" = 1'-0"
Arch't Ref.: 7/A-666.00



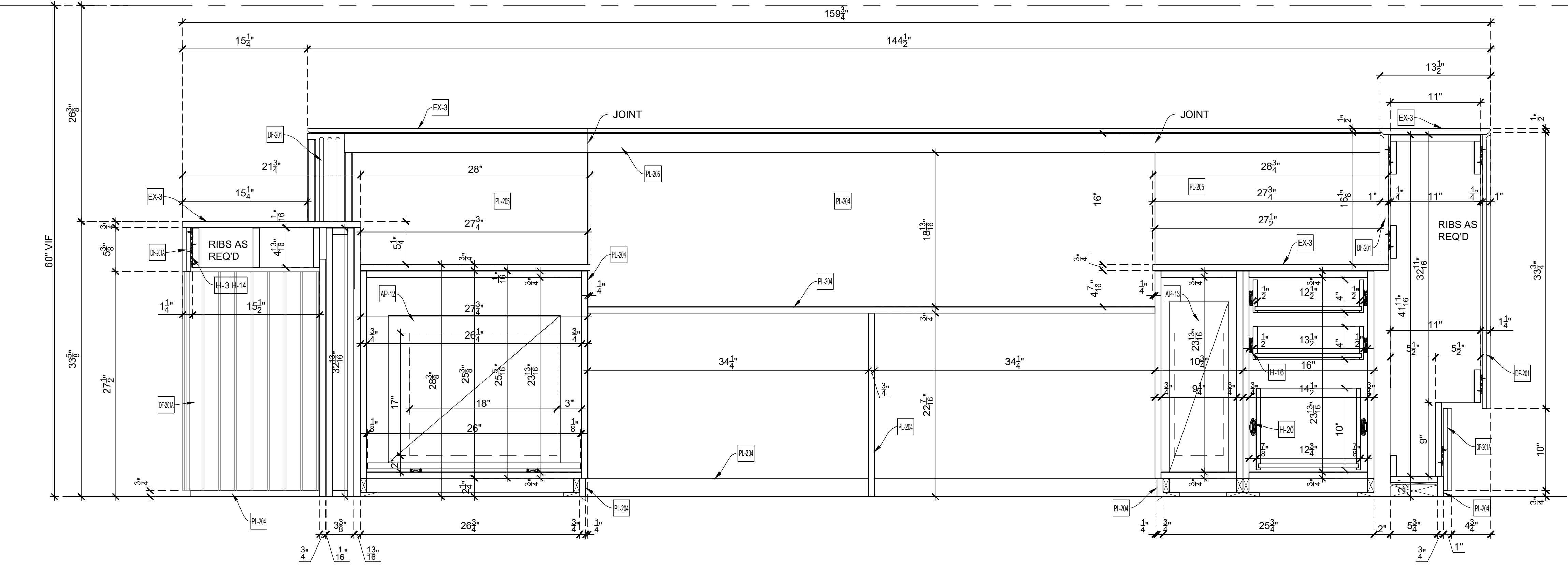
H VERTICAL SECTION
SCALE: 1-1/2" = 1'-0"
Arch't Ref.: 3/A-666.00

ARCHITECT NOTE:
PLEASE PROVIDE INTERIOR FINISH

STONE (EX-3) WILL BE INSTALL AT LAST



I VERTICAL SECTION
SCALE: 1-1/2" = 1'-0"
Arch't Ref.: 1/A-666.00



J VERTICAL SECTION
SCALE: 1-1/2" = 1'-0"
Arch't Ref.: 2,6/A-666.00

◀ Back

DRAWING CHECKLIST

	BY	DATE	CHECKLIST FOR ORIGINAL DRAFTING	COMMENTS
✓	PD	2018-10-10	ARCHITECTURAL ELEVATIONS CHECKED AGAINST RCP FOR CEILING HEIGHTS AND SOFFITS	NO FOLLOW UP NEEDED
✓	PD	2018-10-10	DRAWINGS CHECKED FOR INCLUSION OF ALL ITEMS IN SCOPE	NO FOLLOW UP NEEDED
✓	PD	2018-10-10	NOTIFIED ENGINEERING MANAGER OF DISCREPANCIES BETWEEN SCOPE AND ARCHITECTURALS	NO FOLLOW UP NEEDED
✓	PD	2018-10-10	MATERIALS CHECKED AGAINST SCOPE TO VERIFY WHETHER PROVIDED BY MB	NO FOLLOW UP NEEDED
✓	PD	2018-10-10	ALL FINISHES ACCURATELY LISTED AND ASSIGNED TO DRAWING	NO FOLLOW UP NEEDED
✓	PD	2018-10-10	ALL VISIBLE MILLWORK ELEVATED INCLUDING FINISHED END PANELS AND SOFFITS	NO FOLLOW UP NEEDED
✓	PD	2018-10-10	ALL MARKERS AND TAGS CHECKED AND VERIFIED TO BE CORRECT	NO FOLLOW UP NEEDED
✓	PD	2018-10-10	CASEWORK DRAWN PER MB STANDARDS WHEREVER POSSIBLE	NO FOLLOW UP NEEDED
✓	PD	2018-10-10	APPLIANCES CHECKED AGAINST CUTS AND CUSTOM PANEL DRAWINGS CREATED AS NEEDED	NO FOLLOW UP NEEDED
✓	NA	NA	DOOR HARDWARE SHOWN TO THE EXTENT POSSIBLE PER HARDWARE SCHEDULE AND CUTS	PD
✓	PD	2018-10-10	HARDWARE LOCATIONS DIMENSIONED OR REQUESTED FROM ENGINEERING MANAGER	NO FOLLOW UP NEEDED
✓	PD	2018-10-10	TITLE BLOCK FILLED OUT COMPLETELY AND ACCURATELY - IE SHEET NUMBERS AND DESCRIPTIONS	NO FOLLOW UP NEEDED
✓	PD	2018-10-10	ALL CABINET HARDWARE ACCURATELY LISTED INCLUDING FINISHES	NO FOLLOW UP NEEDED
✓	PD	2018-10-10	ALL SPELLING CHECKED AND VERIFIED TO BE CORRECT	NO FOLLOW UP NEEDED
✓	PD	2018-10-10	MODEL SPACE LEFT CLEAN OF UN-NEEDED GEOMETRY	NO FOLLOW UP NEEDED
✓	NA	NA	NOTES REGARDING WATERPROOF CORES INCLUDED WHERE APPLICABLE	PD
✓	PD	2018-10-10	ELEVATIONS DRAWN WITH REFERENCES TO BENCHMARK	NO FOLLOW UP NEEDED
✓	NA	NA	ALL ROUGH OPENINGS CLEARLY DIMENSIONED AND REFERENCED TO BENCHMARK	PD
✓	NA	NA	ALL DOORS BY MB TAGGED CORRECTLY IN MODELSPACE	PD
✓	NA	NA	ALL DOOR SWINGS VERIFIED TO BE SHOWN AND SCHEDULED CORRECTLY	PD

USE ATTRIBUTE EDIT COMMAND ON AN ITEM TO EDIT USERNAME, DATE, AND COMMENTS

✓	PD	2018-MM-DD	CHECKLIST ITEM	NO FOLLOW UP NEEDED
↓	PD	2018-MM-DD	CHECKLIST ITEM	NEEDS FOLLOW UP
✓	NA	NA	CHECKLIST ITEM	PD

[← Back](#)

REVISION CHECKLIST

BY	DATE	CHECKLIST FOR DRAWING REVISIONS	COMMENTS
		ALL REDLINE REVISIONS MADE AND HIGHLIGHTED ON PRINTED COPY	
		ALL IMPLICATIONS OF REDLINE MARKUPS CONSIDERED AND CORRECTED	
		ENGINEERING MANAGER NOTIFIED VIA EMAIL OF ALL POSSIBLE CHANGE ORDERS	
		ALL VISIBLE MILLWORK ELEVATED INCLUDING FINISHED END PANELS AND SOFFITS	
		PLAN AND VERTICAL SECTIONS CROSS CHECKED FOR ACCURACY	
		ALL MARKERS AND TAGS CHECKED AND VERIFIED TO BE CORRECT	
		ALL GRAIN DIRECTIONS CLEARLY INDICATED INCLUDING WOOD, METAL, AND PLAM FINISHES	
		APPLIANCES CHECKED AGAINST CUTS AND CUSTOM PANEL DRAWINGS CREATED AS NEEDED	
		DOOR HARDWARE SHOWN TO THE EXTENT POSSIBLE PER HARDWARE SCHEDULE AND CUTS	
		HARDWARE LOCATIONS DIMENSIONED OR REQUESTED FROM ENGINEERING MANAGER	
		ALL CABINET HARDWARE ACCURATELY LISTED INCLUDING FINISHES	
		ALL FINISHES ACCURATELY LISTED , INDICATED ON DRAWINGS, AND ASSIGNED TO SERIES	
		MATERIALS CHECKED AGAINST SCOPE TO VERIFY WHETHER PROVIDED BY MB	
		ALL NECESSARY FIELD DIMENSIONS INDICATED ON DRAWINGS	
		ALL FIELD DIMENSIONS APPLIED, ALL VIF DIMENSIONS REPLACED WTH FD	
		ENGINEERING MANAGER NOTIFIED OF MISSING FIELD DIMENSIONS	
		ALL +- INDICATIONS REMOVED EXCEPT WHERE SCRIBE IS INVOLVED	
		ALL LOOSE JOINTS INDICATED CLEARLY	
		COMPONENT SIZES CHECKED AGAINST ELEVATOR SIZE TO ENSURE ACCESS	
		UNUSED GEOMETRY DELETED FROM DRAWING	
		UNUSED PAPERSPACE TABS DELETED FROM DRAWING	
		ALL RESOLVED QUESTIONS, CLOUDS, AND NOTES REMOVED FROM DRAWING	
		ENGINEERING MANAGER NOTIFIED BY EMAIL OF ANY NEW ISSUES WHICH REQUIRE ANSWERS	
		ITEMS READY FOR FABRICATION CLEARLY INDICATED OR ITEMS ON HOLD CLEARLY INDICATED	

USE ATTRIBUTE EDIT COMMAND ON AN ITEM TO EDIT USERNAME, DATE, AND COMMENTS

✓	DZALE	10/21/14	CHECKLIST ITEM	NO FOLLOW UP NEEDED
↓	dzale	10/21/14	CHECKLIST ITEM	NEEDS FOLLOW UP
✓	NA	NA	CHECKLIST ITEM	NOT APPLICABLE

Date Drawn:	X	Dwg# X
Drawn by:	X	