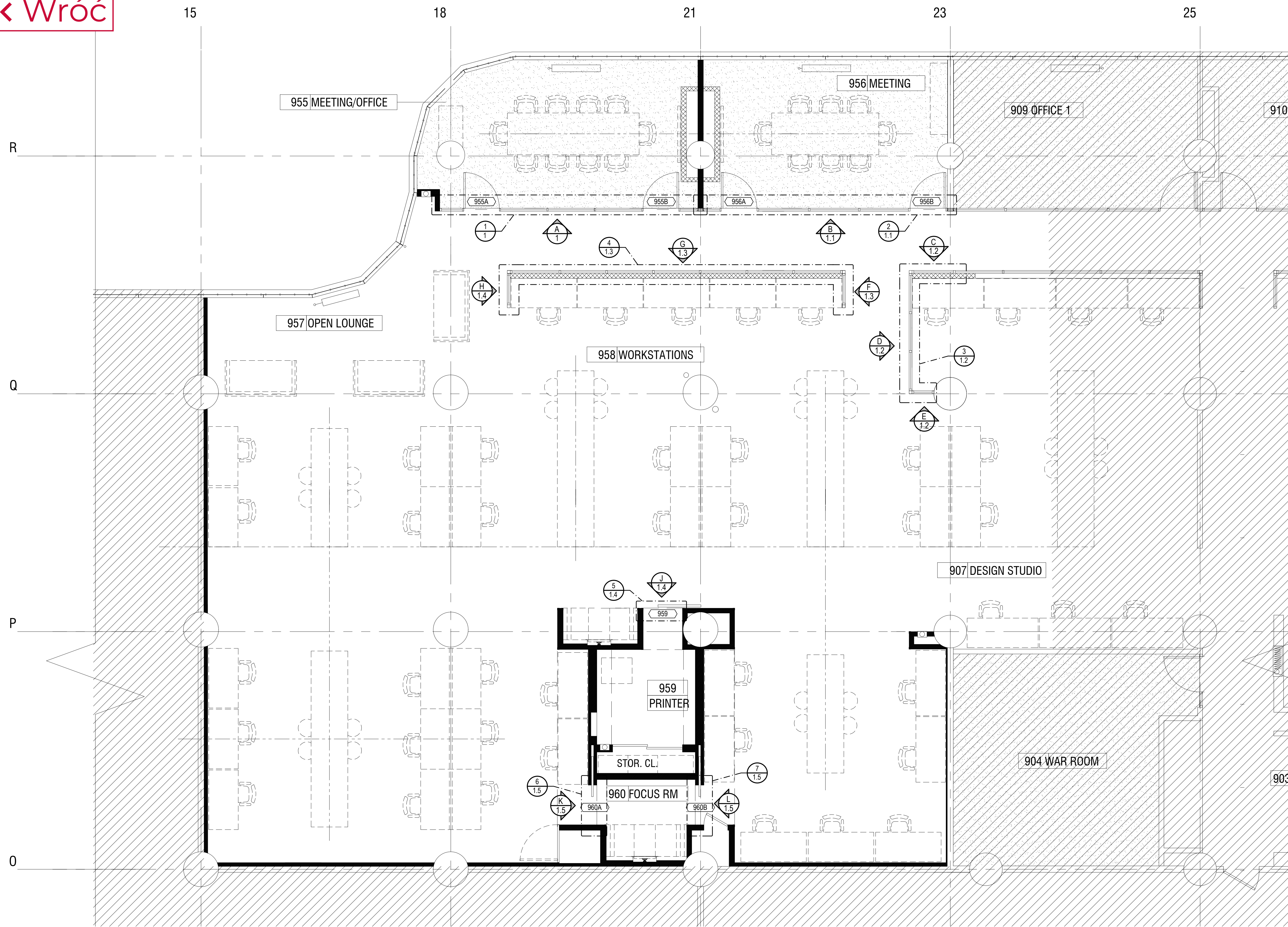


[← Wróć](#)



KP **KEY PLAN** @ 9th Floor
KP SCALE: 1/4"=1'-0" REF: 1/A-110.00

LEED FSC NAUF FIRE RATED

MATERIAL DESCRIPTIONS:

FINISH / WOOD SPECIES:

F1	Blackened Acid Dip Finish	Per Approved Sample
F2	Black	
-	-	-
-	-	-
-	-	-

CORES / SUBSTRATES:

C10A	1/8" HDF	
C12G	11/16" PARTICLEBOARD	
C12E	1/2" PARTICLEBOARD	
C12H	3/4" PARTICLEBOARD	
C12J	1" PARTICLEBOARD	
C19E	1/2" PLYWOOD	
-	-	-
-	-	-
-	-	-

SOLID HARDWOOD:

-	-	-
-	-	-
-	-	-

DOOR SLAB ASSEMBLY:

DS1	Metal Framed 1-3/4" Door with 1/2" Glass Light	
DS2	Metal Framed 1-3/4" Sliding Door with 3/8" Glass Light	
DS3	Metal Framed 2" Sliding Door with 3/8" Glass Light	
-	-	-

OTHER MATERIAL (GLASS, STONE, METAL):

M1	1/16" x 3/8" Black Foam Tape	
M2	1/2" Clear Tempered Glass (Polished edges, & VHB Tape)	
M3	20 Gauge Aluminum Panel Insert	
M4	3/8" Clear Tempered Glass (Polished edges, & VHB Tape)	
M9	1/32" x 1/2" 3M Clear VHB Tape	
M10	1/4" Wide 3M Clear VHB Tape, 40mil Thick	
M11	3M Dusted Crystal Film	
M12	Rubber Glazing Gasket- Black	
M13	1-1/4" x 3" Aluminum Tube Extrusion	
M14	1/2" x 1/2" x 1/8" Aluminum Angle	
M15	3/4" x 3/4" x 1/8" Aluminum Angle	
M19	3"x 3 x 1/8" Aluminum Sq. Tube	
M20	1/16" x 1/4" Clear VHB Tape	
M21	1" x 1/2" "T" Metal Bar	
M22	1" x 3/4" "T" Metal Bar	
M23	1-3/4" x 6" Aluminum Tube Extrusion	
-	-	-
-	-	-

HARDWARE:

HS	FINISH:	QTY:
See Door Hardware Schedule	-	-
-	-	-
-	-	-
-	-	-
-	-	-
-	-	-
-	-	-
-	-	-

BY OTHERS / EXCLUSIONS:

E1	Slab	-	-
E2	Finished Floor	-	-
E3	Finished Wall	-	-
E4	Finished Ceiling	-	-

DATE: 6.21.19 **ISSUED FOR:** Submittal **BY:** PD



ARCHITECT: Ampersand Architecture, 648 Broadway, Suite 912, New York, NY 10012, t: 212.777.1276

CONTRACTOR:

PROJECT: OXO, 601 West 26th Street, New York, NY 10001, 9th Floor

DRAWING TITLE: VERDE Industrial System Key Plan @ 9th Floor

DRAWN BY: PD **CHECKED BY:** - **SCALE:** AS NOTED **DATE:** 6.21.19

JOB NUMBER: VJ19072C **ITEM NUMBER:** KP

JOB Barcode: **DRAWING NO.:** KP



< Wróć

DOOR TYPE INFORMATION				FIELD DIMENSIONS						J.O.				Leaf Info						Slab Release Date		Jamb/ Header Release Date		Notes		Door #
Drawing #	Fire Rating	Hardware Set #	Door Swing	Wall Thickness	Fin. Floor Thickness	Slab to BM	Curtainwall / Ceiling to BM	BM to Under Side of Header	F.O. Width	F.O. Height	Width	Height	Wood Species	Finish	Under Cut	Quantity	Thickness	Width	Height	Wood Species	Finish	Slab Release Date	Jamb/ Header Release Date	Notes	Door #	
9th Floor																										
1	955A	52	1								36	111 7/8	M13	F1	1/2	1	1 3/4	35 5/8	111 3/16	DS1	F1					955A
1	955B	52	1								36	111 7/8	M13	F1	1/2	1	1 3/4	35 5/8	111 3/16	DS1	F1					955B
1	956A	52	1.1								36	111 7/8	M13	F1	1/2	1	1 3/4	35 5/8	111 3/16	DS1	F1					956A
1	956B	52	1.1								36	111 7/8	M13	F1	1/2	1	1 3/4	35 5/8	111 3/16	DS1	F1					956B
1	959	75	1.4								40	90	-	-	1/2	1	2	42	90 3/4	DS4	F1					959
1	960A	72	1.5								40	90	-	-	1/2	1	1 3/4	41 1/4	88 7/8	DS2	F1					960A
1	960B	72	1.5								40	90	-	-	1/2	1	1 3/4	41 1/4	88 7/8	DS2	F1					960B

ARCHITECT PLEASE VERIFY UNDERCUT

LEED FSC NAUF FIRE RATED

MATERIAL DESCRIPTIONS:

FINISH / WOOD SPECIES:

F1	Blackened Acid Dip Finish Per Approved Sample
F2	Black
-	-
-	-
-	-
-	-

CORES / SUBSTRATES:

C10A	1/8" HDF
C12G	1 1/16" PARTICLEBOARD
C12E	1/2" PARTICLEBOARD
C12H	3/4" PARTICLEBOARD
C12J	1" PARTICLEBOARD
C19E	1/2" PLYWOOD
-	-
-	-
-	-
-	-
-	-
-	-
-	-

SOLID HARDWOOD:

-	-
-	-
-	-

DOOR SLAB ASSEMBLY:

DS1	Metal Framed 1-3/4" Door with 1/2" Glass Light
DS2	Metal Framed 1-3/4" Sliding Door with 3/8" Glass Light
DS3	Metal Framed 2" Sliding Door with 3/8" Glass Light
-	-
-	-

OTHER MATERIAL (GLASS, STONE, METAL):

M1	1/16" x 3/8" Black Foam Tape
M2	1/2" Clear Tempered Glass (Polished edges, & VHB Tape)
M3	20 Gauge Aluminum Panel Insert
M4	3/8" Clear Tempered Glass (Polished edges, & VHB Tape)
M9	1/32" x 1/2" 3M Clear VHB Tape
M10	1/4" Wide 3M Clear VHB Tape, 40mil Thick
M11	3M Dusted Crystal Film
M12	Rubber Glazing Gasket- Black
M13	1-1/4" x 3" Aluminum Tube Extrusion
M14	1/2" x 1/2" x 1/8" Aluminum Angle
M15	3/4" x 3/4" x 1/8" Aluminum Angle
M19	3"x 3 x 1/8" Aluminum Sq. Tube
M20	1/16" x 1/4" Clear VHB Tape
M21	1" x 1/2" "T" Metal Bar
M22	1" x 3/4" "T" Metal Bar
M23	1-3/4" x 6" Aluminum Tube Extrusion
-	-
-	-
-	-
-	-

HARDWARE:

HS	See Door Hardware Schedule	FINISH:	QTY:
-	-	-	-
-	-	-	-
-	-	-	-
-	-	-	-
-	-	-	-
-	-	-	-

BY OTHERS / EXCLUSIONS:

E1	Slab	-	-
E2	Finished Floor	-	-
E3	Finished Wall	-	-
E4	Finished Ceiling	-	-

DATE:	ISSUED FOR:	BY:
6.21.19	Submittal	PD
-	-	-
-	-	-
-	-	-



Demountable Wood & Glass Partition System
20 Haynes Court
Ronkonkoma, NY 11779
Tel: 631.981.2000 Fax: 631.981.2002

ARCHITECT:	CONTRACTOR:
Ampersand Architecture 648 Broadway, Suite 912 New York, NY 10012 t: 212.777.1276	- - -

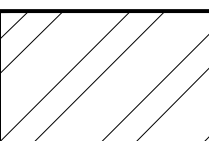
PROJECT: **OXO**
601 West 26th Street
New York, NY 10001
9th Floor

DRAWING TITLE:
**VERDE Industrial System
Door Schedule**

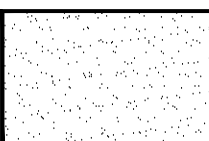
DRAWN BY:	CHECKED BY:	SCALE:	DATE:
PD	-	AS NOTED	6.21.19

JOB NUMBER:	ITEM NUMBER:
VJ19072C	DS

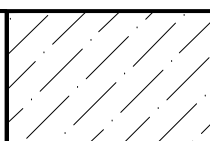
JOB Barcode:	DRAWING NO.
	DS



METAL

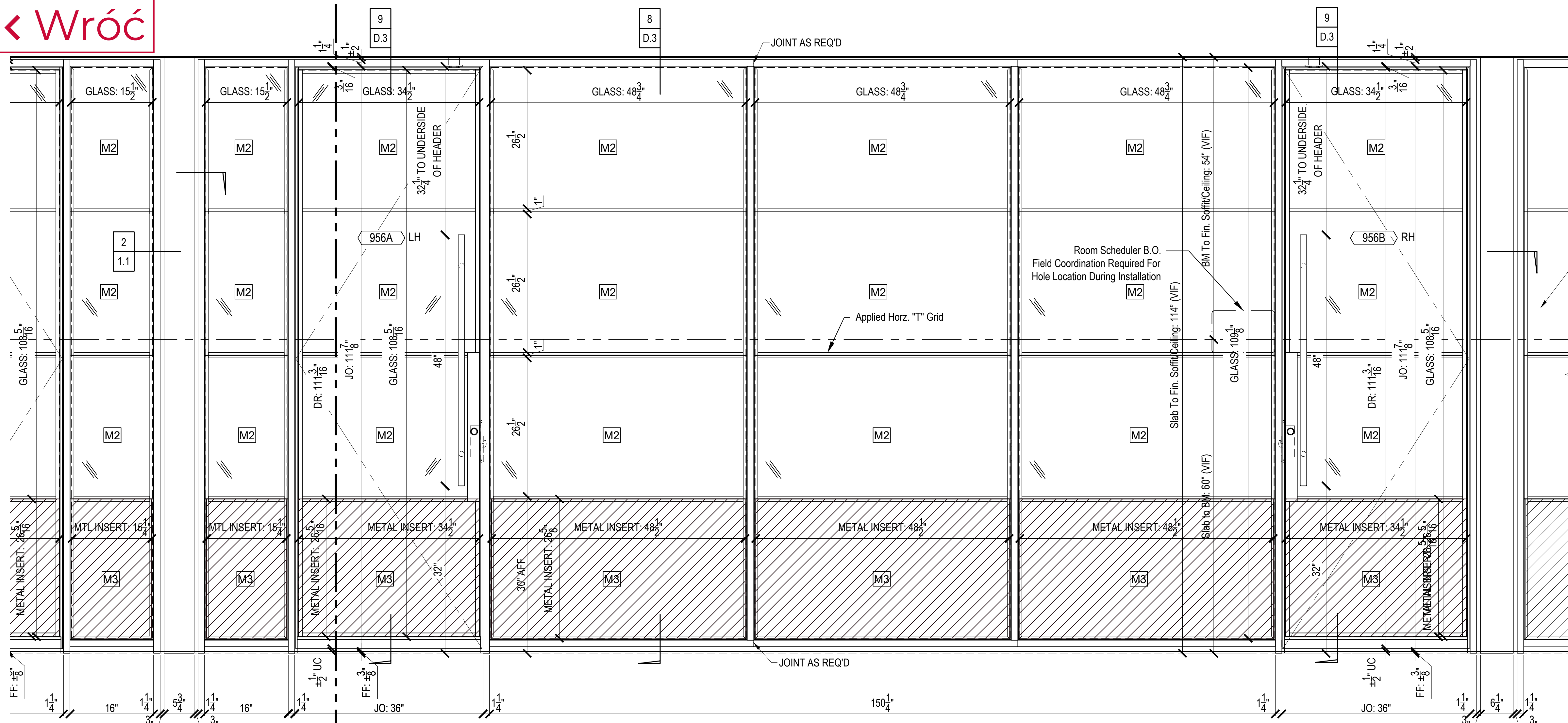


MDF

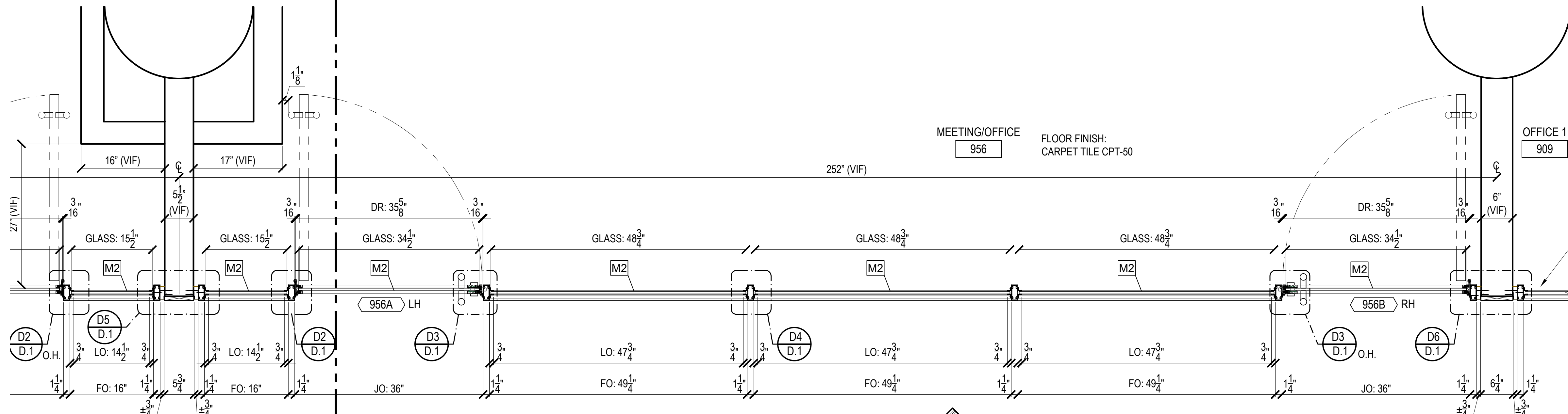


PARTICLE BOARD

← Wróc



B
1.1
ELEVATION
SCALE: 1"=1'-0" REF: 1/A-209.00



2
1.1
HORZ. SECT.
SCALE: 1"=1'-0" REF: N/A

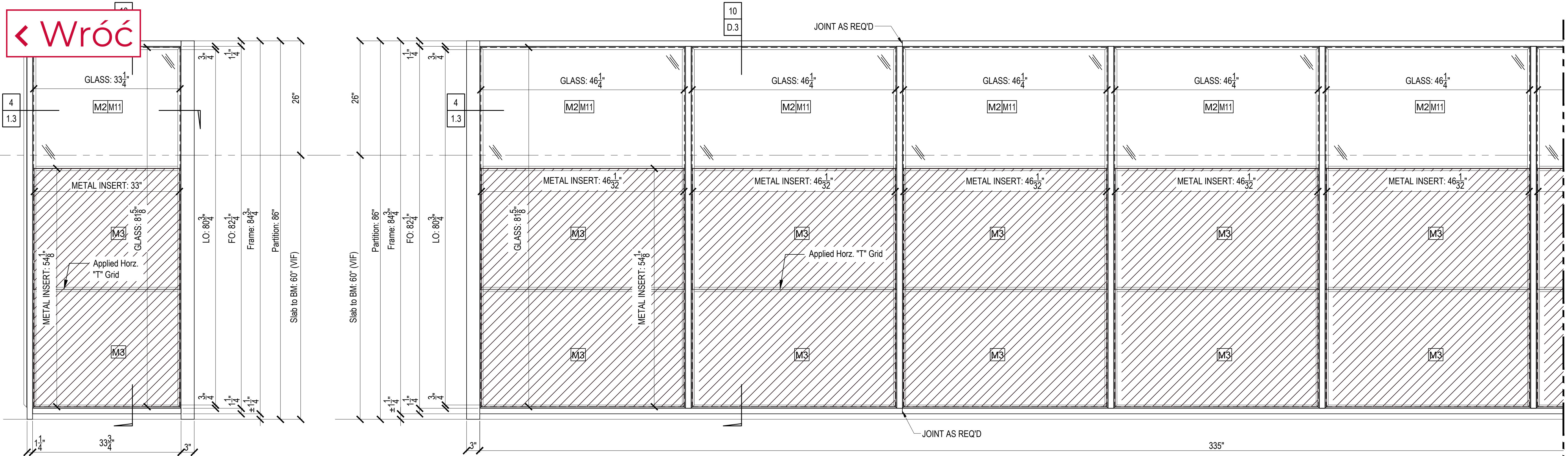
<input type="checkbox"/> LEED	<input type="checkbox"/> FSC	<input type="checkbox"/> NAUF	<input type="checkbox"/> FIRE RATED
MATERIAL DESCRIPTIONS:			
FINISH / WOOD SPECIES:			
F1	Blackened Acid Dip Finish	Per Approved Sample	
F2	Black		
-	-	-	-
-	-	-	-
-	-	-	-
CORES / SUBSTRATES:			
C10A	1/8" HDF		
C12G	1 1/16" PARTICLEBOARD		
C12E	1/2" PARTICLEBOARD		
C12H	3/4" PARTICLEBOARD		
C12J	1" PARTICLEBOARD		
C19E	1/2" PLYWOOD		
-	-	-	-
-	-	-	-
-	-	-	-
SOLID HARDWOOD:			
-	-	-	-
-	-	-	-
DOOR SLAB ASSEMBLY:			
DS1	Metal Framed 1-3/4" Door with 1/2" Glass Light		
DS2	Metal Framed 1-3/4" Sliding Door with 3/8" Glass Light		
DS3	Metal Framed 2" Sliding Door with 3/8" Glass Light		
-	-	-	-
OTHER MATERIAL (GLASS, STONE, METAL):			
M1	1/16" x 3/8" Black Foam Tape		
M2	1/2" Clear Tempered Glass (Polished edges, & VHB Tape)		
M3	20 Gauge Aluminum Panel Insert		
M4	3/8" Clear Tempered Glass (Polished edges, & VHB Tape)		
M9	1/32" x 1/2" 3M Clear VHB Tape		
M10	1/4" Wide 3M Clear VHB Tape, 40mil Thick		
M11	3M Dusted Crystal Film		
M12	Rubber Glazing Gasket- Black		
M13	1-1/4" x 3" Aluminum Tube Extrusion		
M14	1/2" x 1/2" x 1/8" Aluminum Angle		
M15	3/4" x 3/4" x 1/8" Aluminum Angle		
M19	3" x 3" x 1/8" Aluminum Sq. Tube		
M20	1/16" x 1/4" Clear VHB Tape		
M21	1" x 1/2" "T" Metal Bar		
M22	1" x 3/4" "T" Metal Bar		
M23	1-3/4" x 6" Aluminum Tube Extrusion		
-	-	-	-
-	-	-	-
HARDWARE:		FINISH:	QTY:
HS	See Door Hardware Schedule	-	-
-	-	-	-
-	-	-	-
-	-	-	-
-	-	-	-
-	-	-	-
-	-	-	-
-	-	-	-
-	-	-	-
-	-	-	-
BY OTHERS / EXCLUSIONS:			
E1	Slab	-	-
E2	Finished Floor	-	-
E3	Finished Wall	-	-
E4	Finished Ceiling	-	-
DATE:	ISSUED FOR:	BY:	
6.21.19	Submittal	-	PD
-	-	-	-
-	-	-	-
-	-	-	-



ARCHITECT:		CONTRACTOR:	
Ampersand Architecture 648 Broadway, Suite 912 New York, NY 10012 t: 212.777.1276		-	
PROJECT: OXO 601 West 26th Street New York, NY 10001 9th Floor			
DRAWING TITLE: VERDE IndustrialSystem			
DRAWN BY:	CHECKED BY:	SCALE:	DATE:
PD	-	AS NOTED	6.21.19
JOB NUMBER:	ITEM NUMBER:		
VJ19072C	1		
JOB Barcode:	DRAWING NO.:		
	1.1		

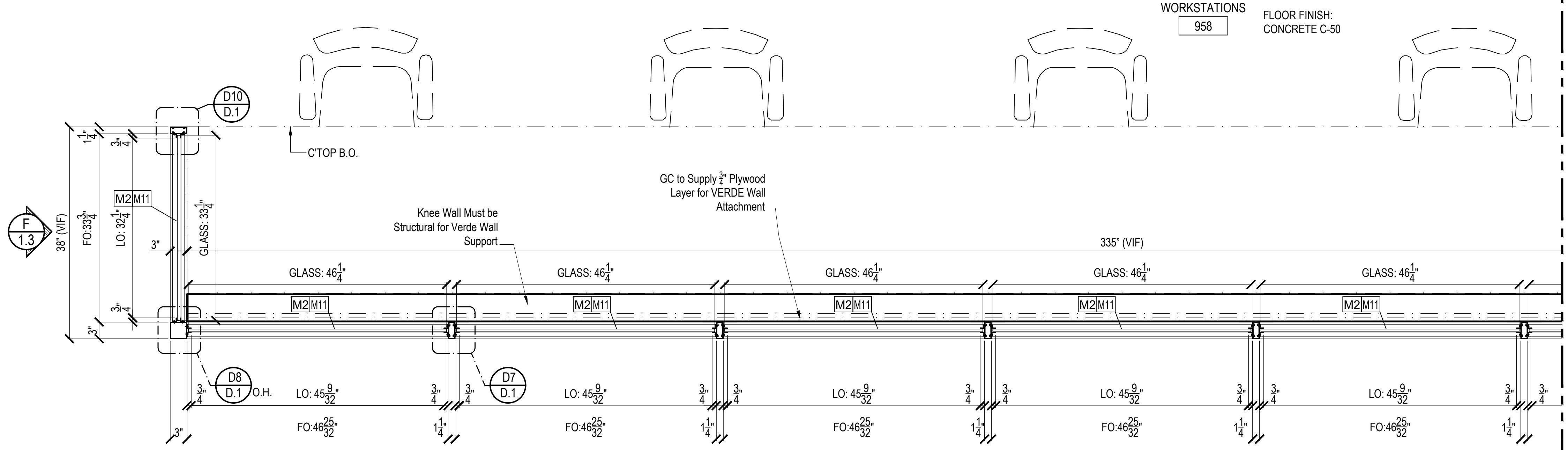


< Wróć



ELEVATION
SCALE: 1"=1'-0" REF: N/A

ELEVATION
SCALE: 1"=1'-0" REF: 2/A-209.00



HORZ. SECT.
SCALE: 1"=1'-0" REF: N/A

LEED FSC NAUF FIRE RATED

MATERIAL DESCRIPTIONS:

FINISH / WOOD SPECIES:

F1	Blackened Acid Dip Finish Per Approved Sample
F2	Black
-	-
-	-
-	-

CORES / SUBSTRATES:

C10A	1/8" HDF
C12G	11/16" PARTICLEBOARD
C12E	1/2" PARTICLEBOARD
C12H	3/4" PARTICLEBOARD
C12J	1" PARTICLEBOARD
C19E	1/2" PLYWOOD
-	-
-	-
-	-
-	-

SOLID HARDWOOD:

-	-
-	-
-	-
-	-
-	-

DOOR SLAB ASSEMBLY:

DS1	Metal Framed 1-3/4" Door with 1/2" Glass Light
DS2	Metal Framed 1-3/4" Sliding Door with 3/8" Glass Light
DS3	Metal Framed 2" Sliding Door with 3/8" Glass Light
-	-
-	-

OTHER MATERIAL (GLASS, STONE, METAL):

M1	1/16" x 3/8" Black Foam Tape
M2	1/2" Clear Tempered Glass (Polished edges, & VHB Tape)
M3	20 Gauge Aluminum Panel Insert
M4	3/8" Clear Tempered Glass (Polished edges, & VHB Tape)
M9	1/32" x 1/2" 3M Clear VHB Tape
M10	1/4" Wide 3M Clear VHB Tape, 40mil Thick
M11	3M Dusted Crystal Film
M12	Rubber Glazing Gasket- Black
M13	1-1/4" x 3" Aluminum Tube Extrusion
M14	1/2" x 1/2" x 1/8" Aluminum Angle
M15	3/4" x 3/4" x 1/8" Aluminum Angle
M19	3"x 3 x 1/8" Aluminum Sq. Tube
M20	1/16" x 1/4" Clear VHB Tape
M21	1" x 1/2" 1/4" Metal Bar
M22	1" x 3/4" 1/4" Metal Bar
M23	1-3/4" x 6" Aluminum Tube Extrusion
-	-
-	-
-	-

HARDWARE:

HS	See Door Hardware Schedule	FINISH:	QTY:
-	-	-	-
-	-	-	-
-	-	-	-
-	-	-	-
-	-	-	-
-	-	-	-
-	-	-	-
-	-	-	-
-	-	-	-

BY OTHERS / EXCLUSIONS:

E1	Slab	-	-
E2	Finished Floor	-	-
E3	Finished Wall	-	-
E4	Finished Ceiling	-	-

DATE: 6.21.19
ISSUED FOR: Submittal
BY: PD

ARCHITECT: Ampersand Architecture
648 Broadway, Suite 912
New York, NY 10012
t: 212.777.1276

CONTRACTOR:

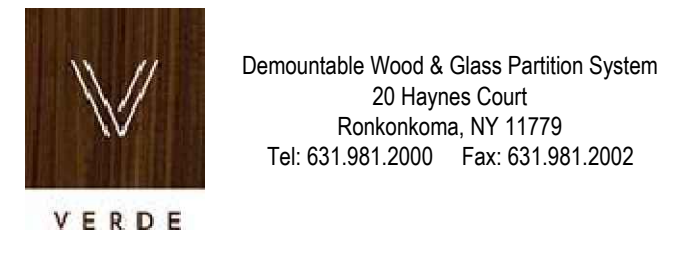
PROJECT: OXO
601 West 26th Street
New York, NY 10001
9th Floor

DRAWING TITLE: VERDE IndustrialSystem

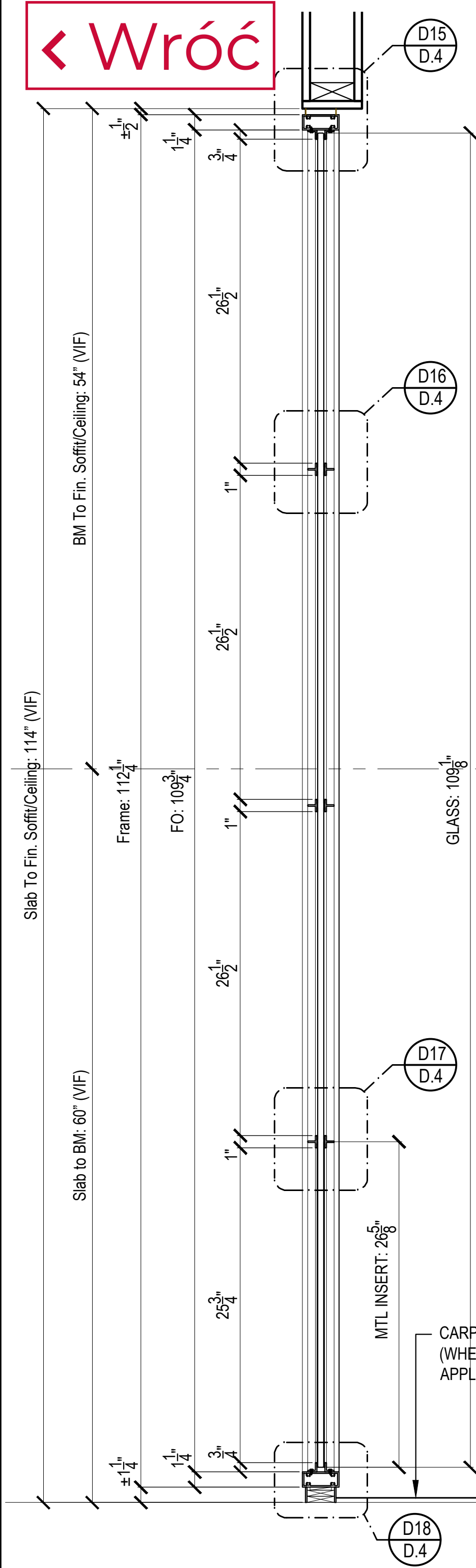
DRAWN BY: PD
CHECKED BY: AS NOTED
SCALE: AS NOTED
DATE: 6.21.19

JOB NUMBER: VJ19072C
ITEM NUMBER: 1

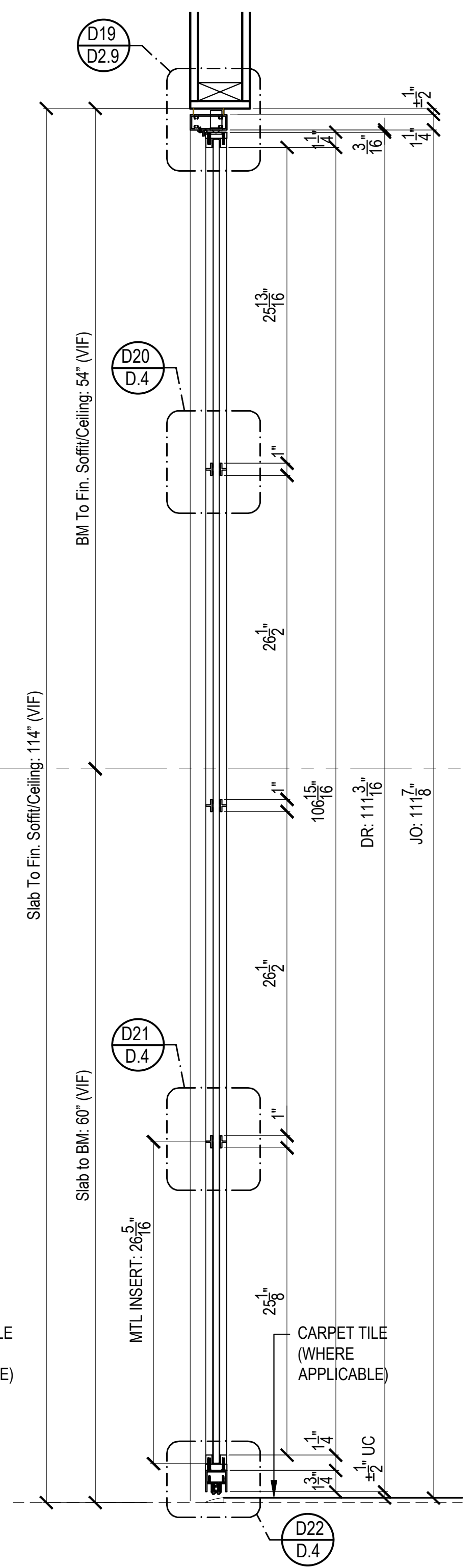
JOB Barcode:
DRAWING NO.: 1.3



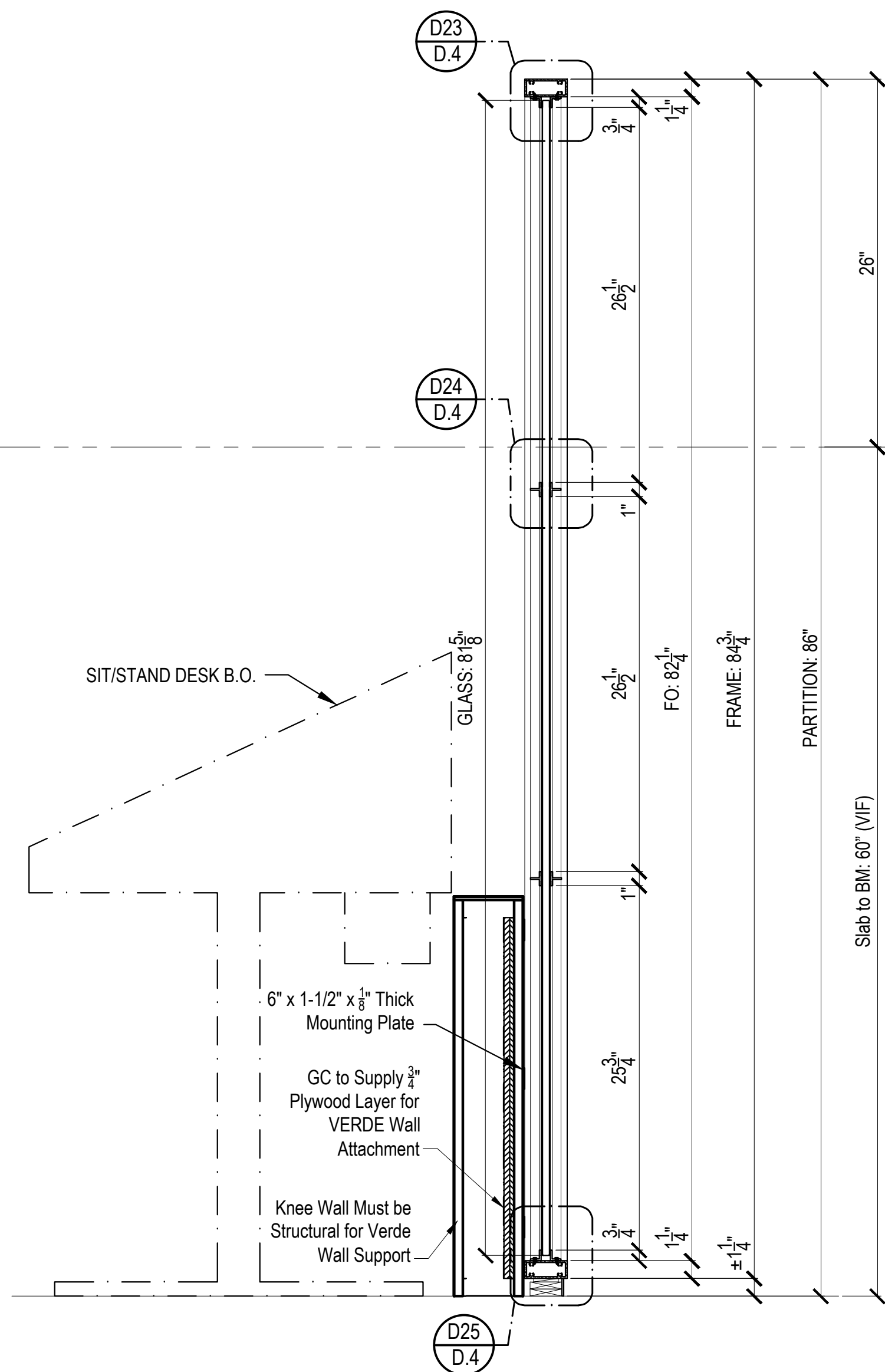
← Wróć



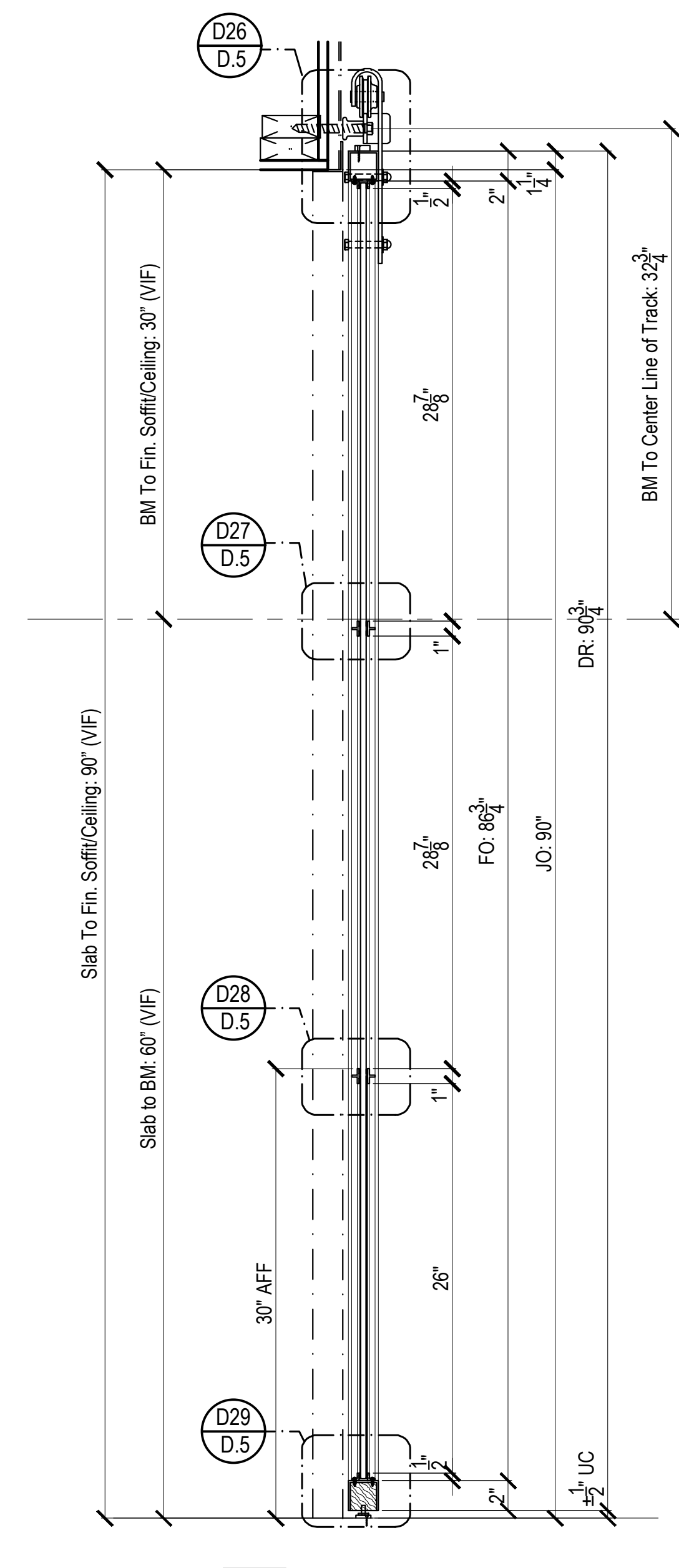
8 VERT. SECT.
 D.3 SCALE: 1-1/2"=1'-0" N/A



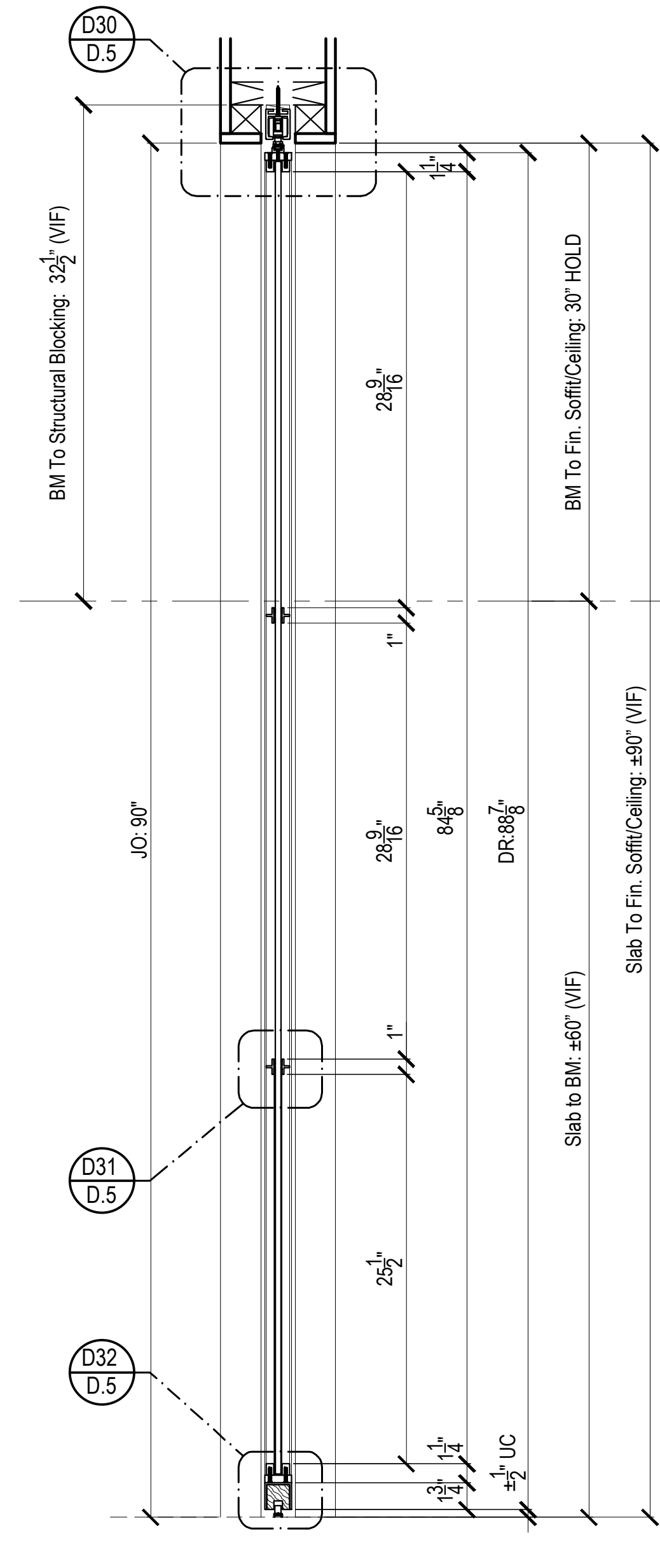
9 VERT. SECT.
 D.3 SCALE: 1-1/2"=1'-0" N/A



10 VERT. SECT.
 D.3 SCALE: 1-1/2"=1'-0" N/A



11 VERT. SECT.
 D.3 SCALE: 1-1/2"=1'-0" N/A



12 VERT. SECT.
 D.3 SCALE: 1-1/2"=1'-0" N/A

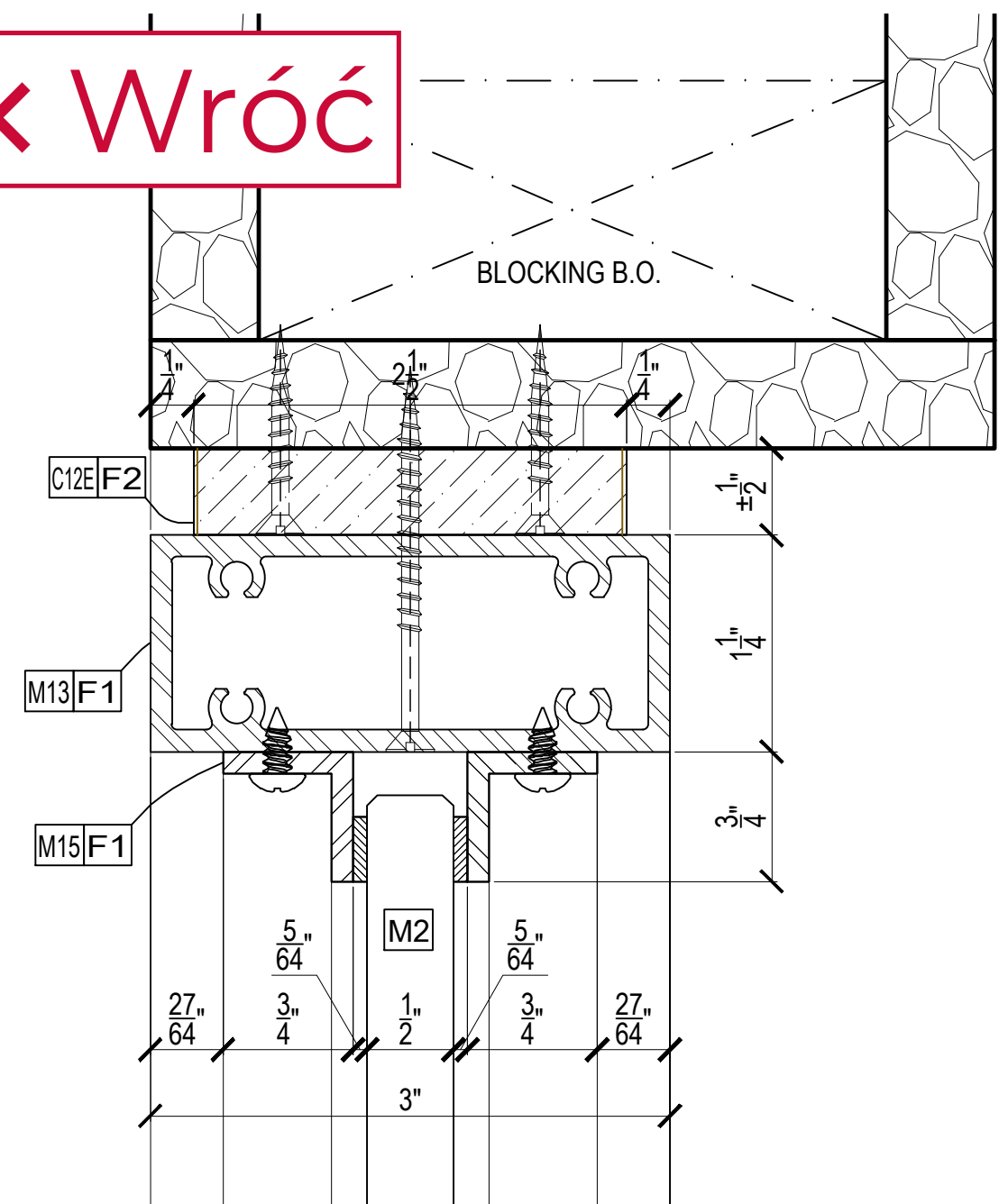
<input type="checkbox"/> LEED	<input type="checkbox"/> FSC	<input type="checkbox"/> NAUF	<input type="checkbox"/> FIRE RATED
MATERIAL DESCRIPTIONS:			
FINISH / WOOD SPECIES:			
F1	Blackened Acid Dip Finish	Per Approved Sample	
F2	Black		
CORES / SUBSTRATES:			
C10A	1/8" HDF		
C12G	1 1/16" PARTICLEBOARD		
C12E	1/2" PARTICLEBOARD		
C12H	3/4" PARTICLEBOARD		
C12J	1" PARTICLEBOARD		
C19E	1/2" PLYWOOD		
SOLID HARDWOOD:			
DOOR SLAB ASSEMBLY:			
DS1	Metal Framed 1-3/4" Door with 1/2" Glass Light		
DS2	Metal Framed 1-3/4" Sliding Door with 3/8" Glass Light		
DS3	Metal Framed 2" Sliding Door with 3/8" Glass Light		
OTHER MATERIAL (GLASS, STONE, METAL):			
M1	1/16" x 3/8" Black Foam Tape		
M2	1/2" Clear Tempered Glass (Polished edges, & VHB Tape)		
M3	20 Gauge Aluminum Panel Insert		
M4	3/8" Clear Tempered Glass (Polished edges, & VHB Tape)		
M9	1/32" x 1/2" 3M Clear VHB Tape		
M10	1/4" Wide 3M Clear VHB Tape, 40mil Thick		
M11	3M Dusted Crystal Film		
M12	Rubber Glazing Gasket- Black		
M13	1-1/4" x 3" Aluminum Tube Extrusion		
M14	1/2" x 1/2" x 1/8" Aluminum Angle		
M15	3/4" x 3/4" x 1/8" Aluminum Angle		
M19	3" x 3" x 1/8" Aluminum Sq. Tube		
M20	1/16" x 1/4" Clear VHB Tape		
M21	1" x 1/2" "T" Metal Bar		
M22	1" x 3/4" "T" Metal Bar		
M23	1-3/4" x 6" Aluminum Tube Extrusion		
HARDWARE:			
HS	See Door Hardware Schedule	FINISH:	QTY:
BY OTHERS / EXCLUSIONS:			
E1	Slab		
E2	Finished Floor		
E3	Finished Wall		
E4	Finished Ceiling		
DATE:	ISSUED FOR:	BY:	
6.21.19	Submittal	PD	



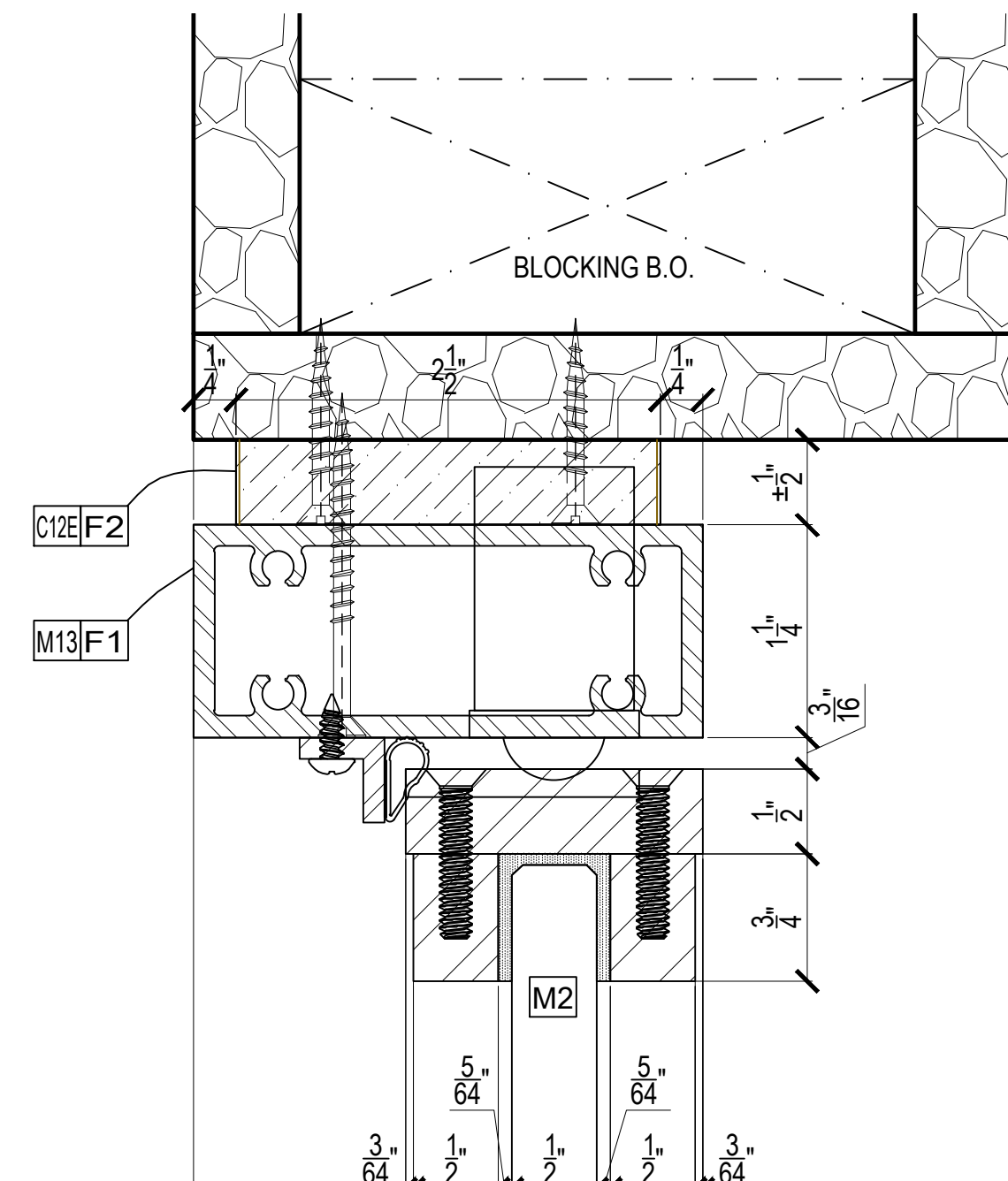
ARCHITECT:	CONTRACTOR:		
Ampersand Architecture 648 Broadway, Suite 912 New York, NY 10012 t: 212.777.1276			
PROJECT:	OXO 601 West 26th Street New York, NY 10001 9th Floor		
DRAWING TITLE:	VERDE IndustrialSystem		
DRAWN BY:	CHECKED BY:	SCALE:	DATE:
PD		AS NOTED	6.21.19
JOB NUMBER:	ITEM NUMBER:		
VJ19072C	1		
JOB Barcode:	DRAWING NO.:		
	D.3		



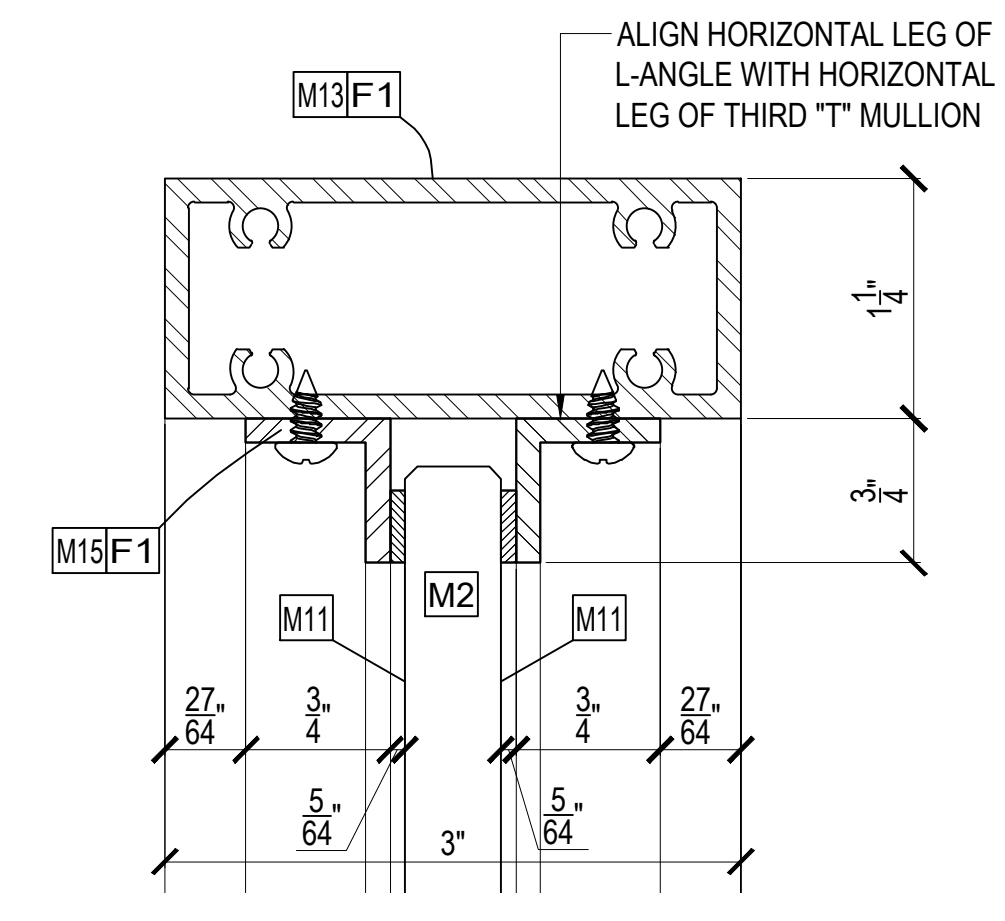
← Wróć



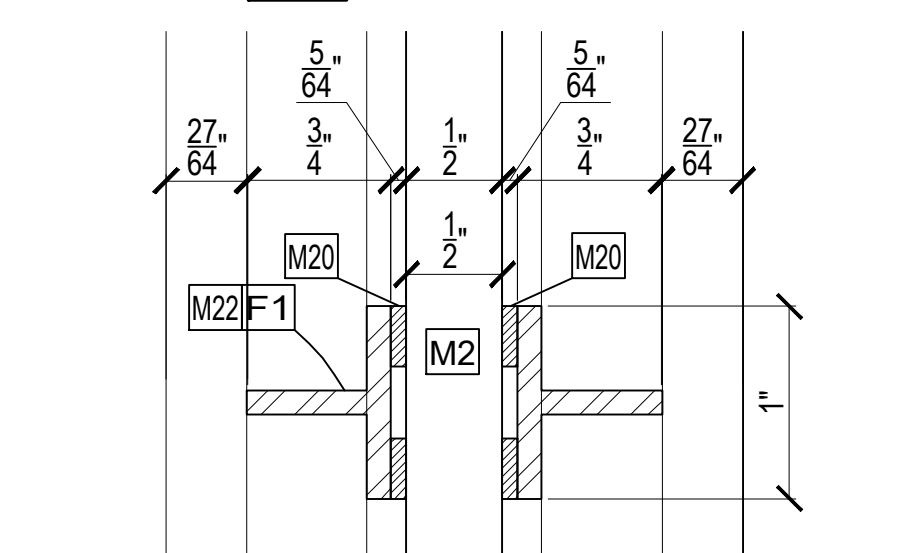
D15
D.4 SCALE: 1'-0"=1'-0" REF: N/A



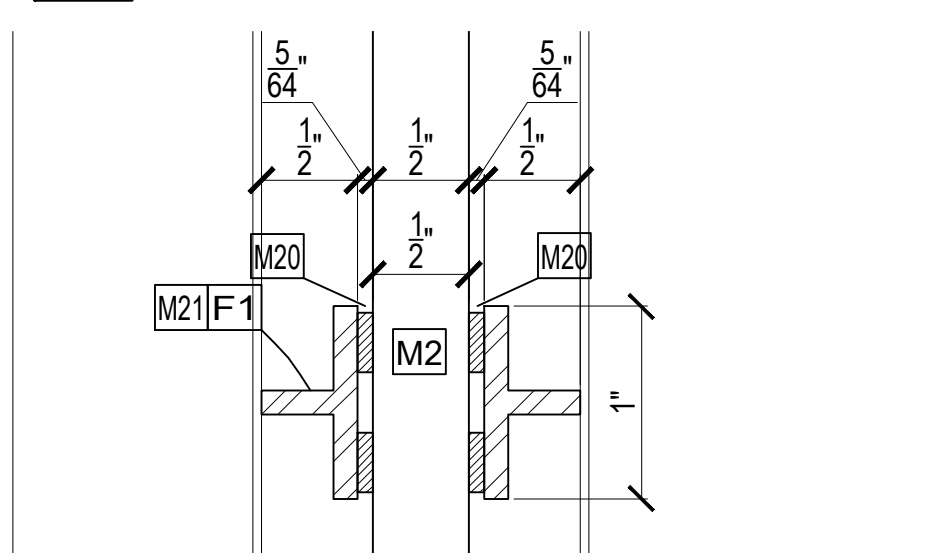
D19
D.4 SCALE: 1'-0"=1'-0" REF: N/A



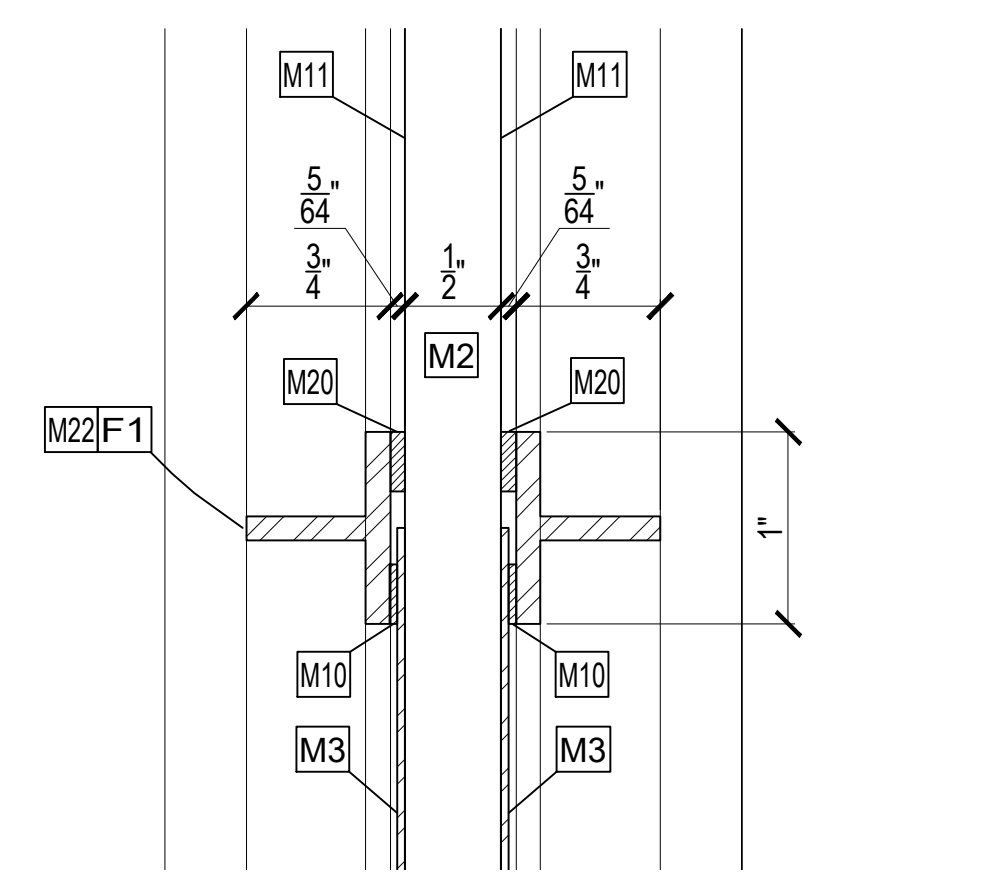
D23
D.4 SCALE: 1'-0"=1'-0" REF: N/A



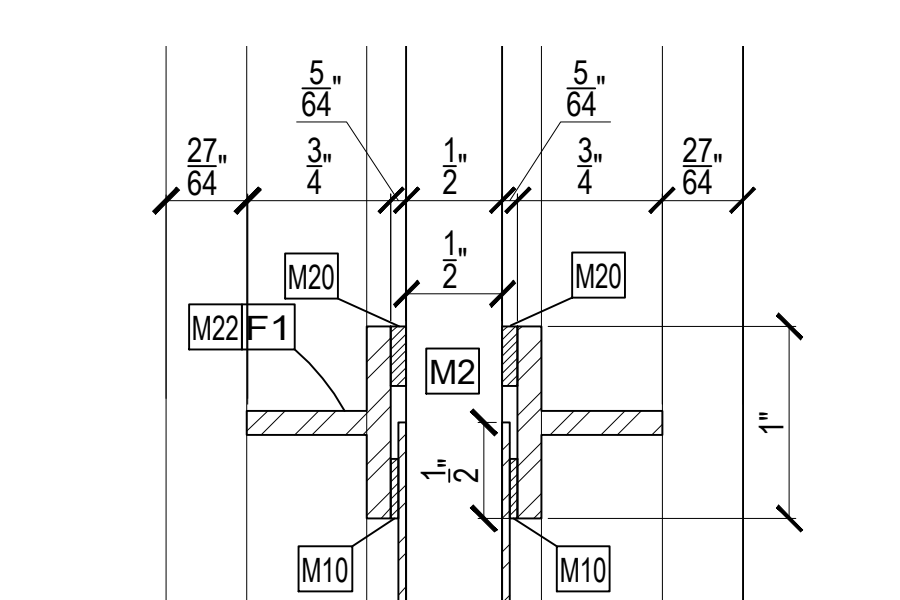
D16
D.4 SCALE: 1'-0"=1'-0" REF: N/A



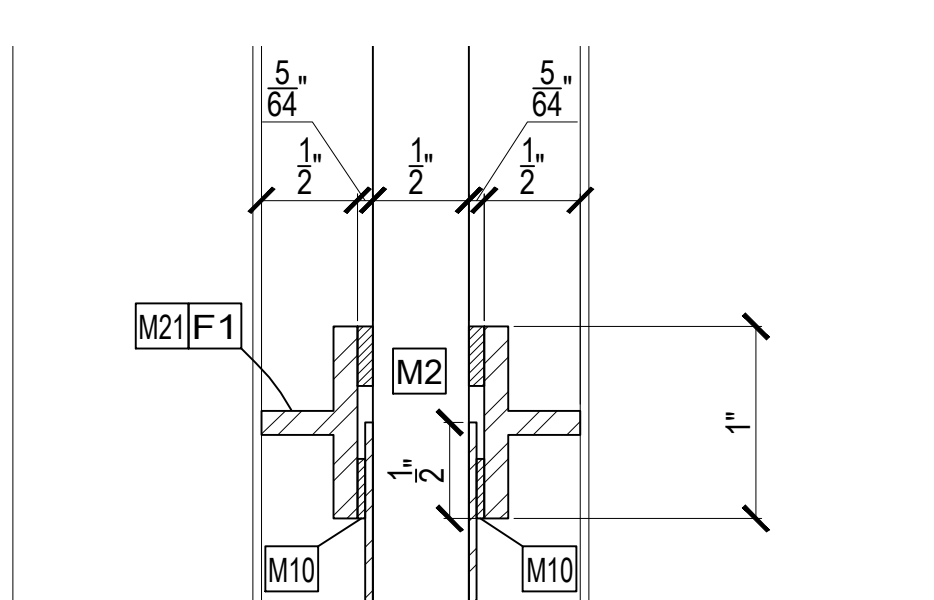
D20
D.4 SCALE: 1'-0"=1'-0" REF: N/A



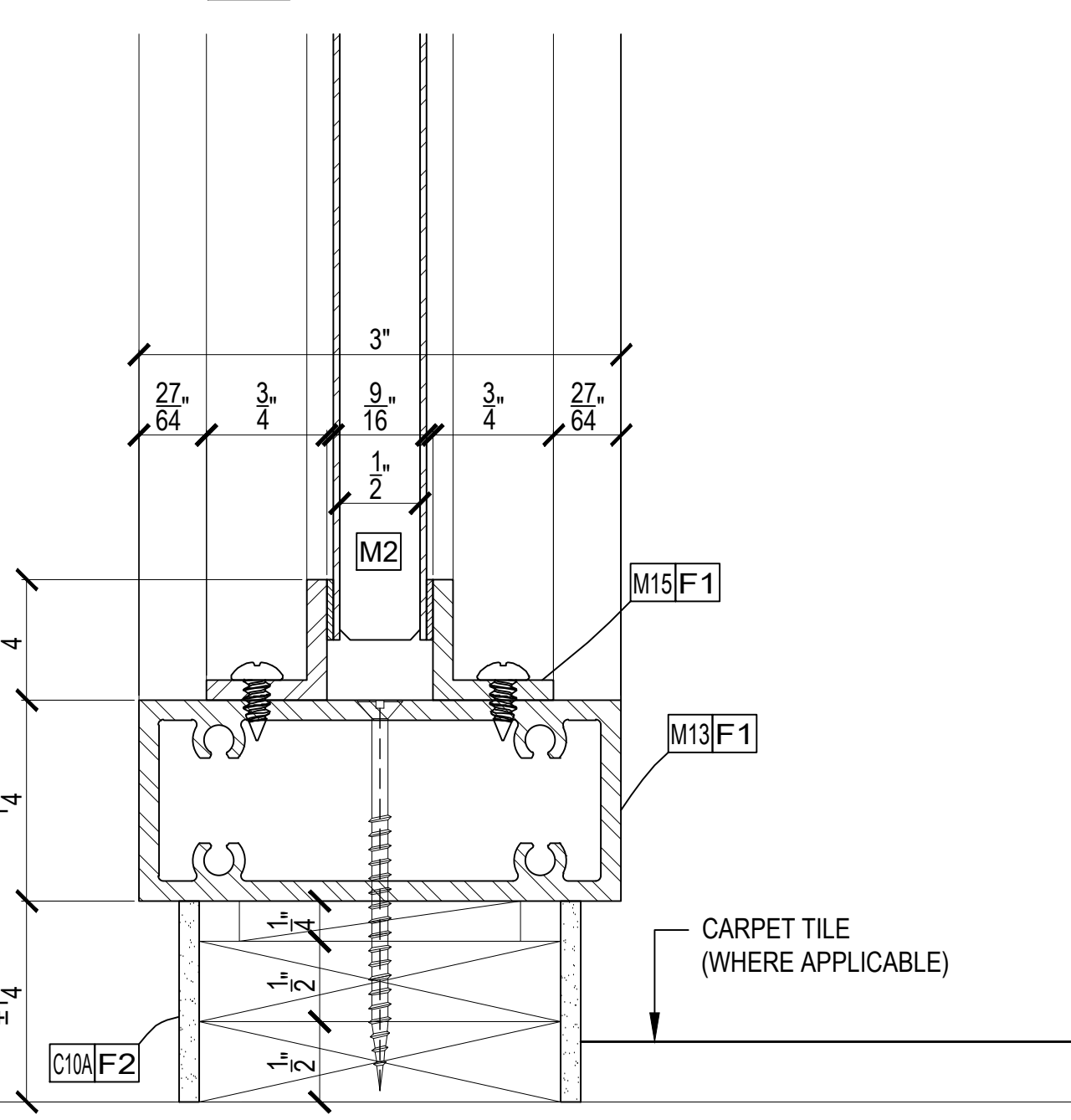
D24
D.4 SCALE: 1'-0"=1'-0" REF: N/A



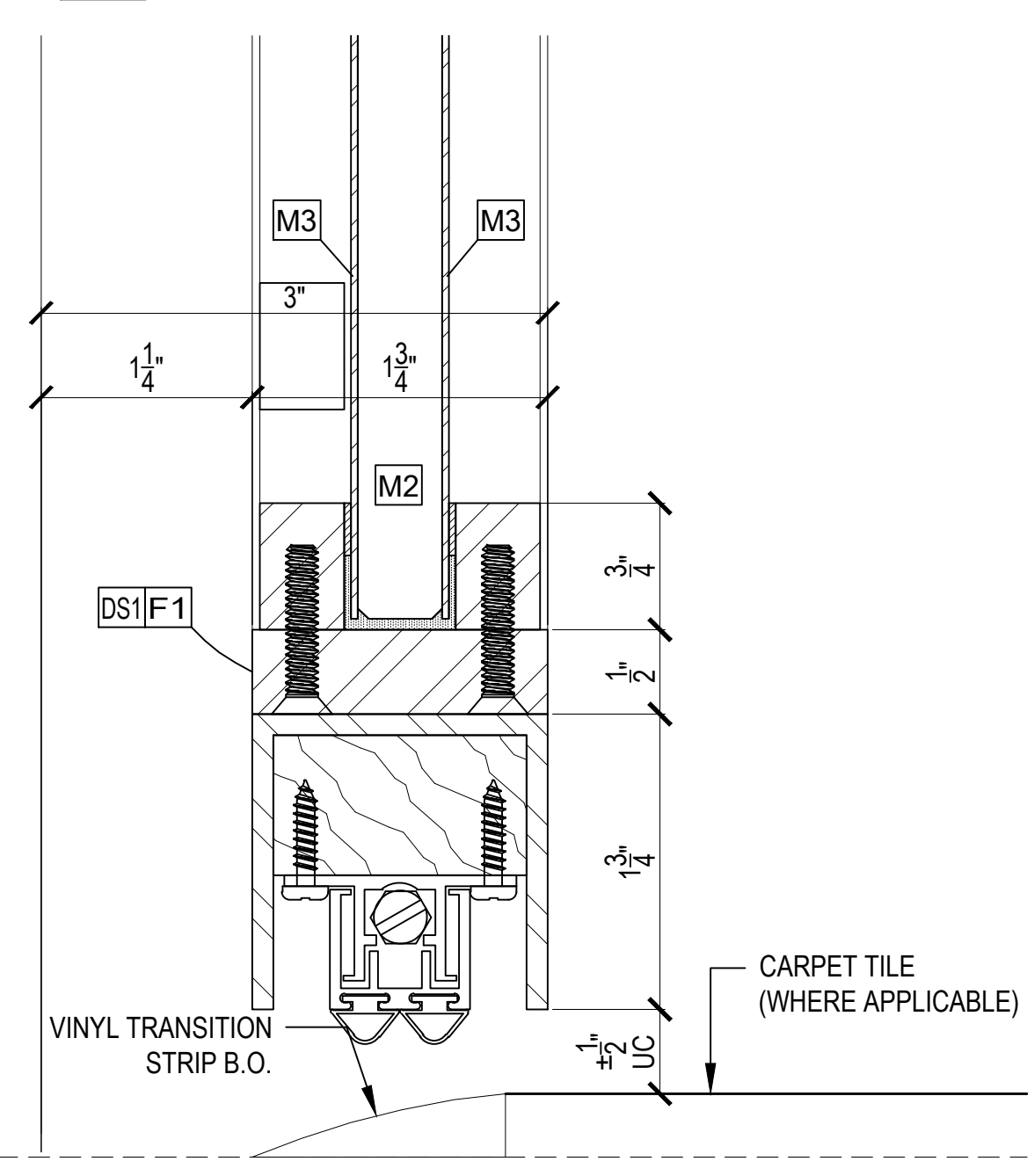
D17
D.4 SCALE: 1'-0"=1'-0" REF: N/A



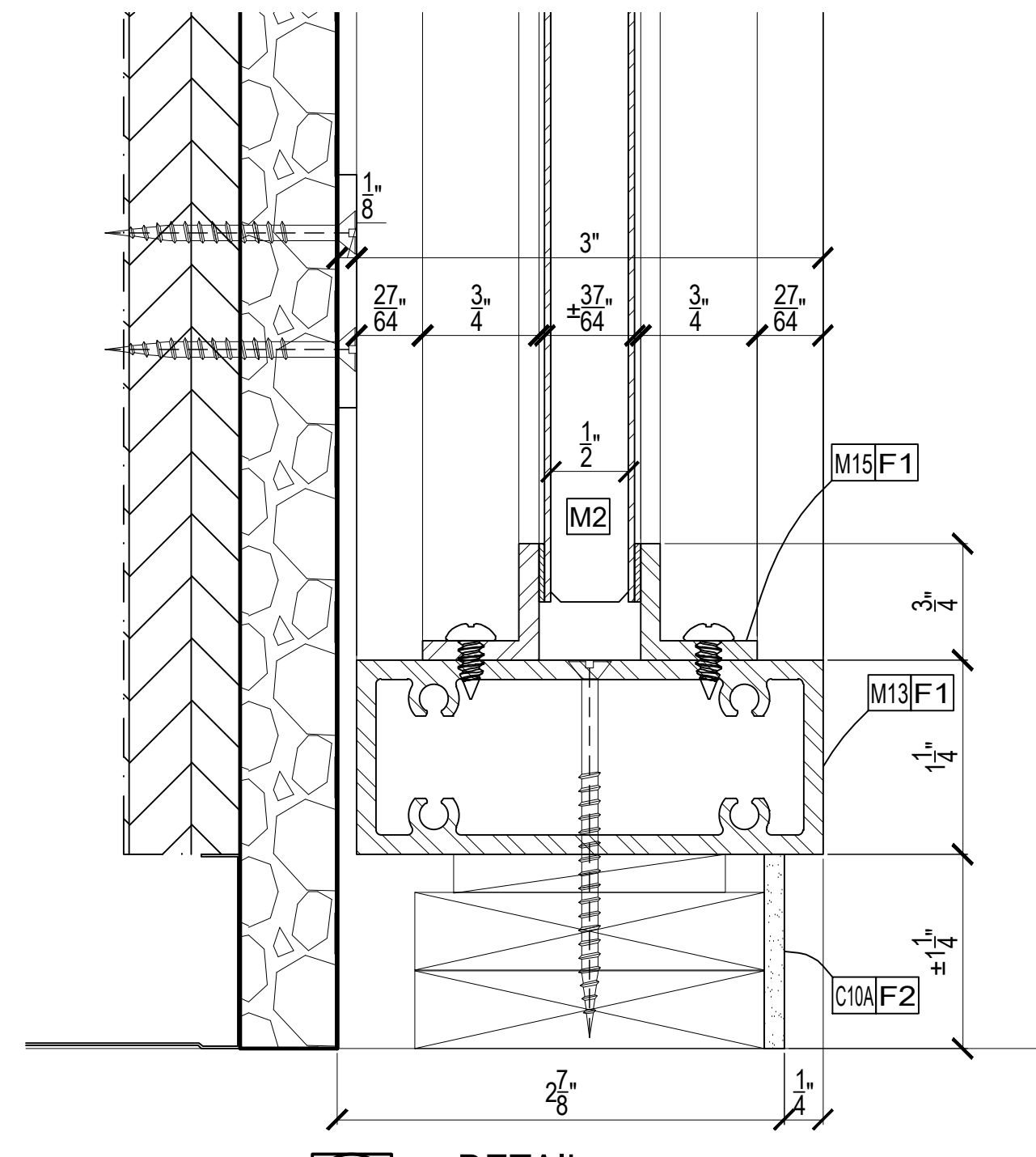
D21
D.4 SCALE: 1'-0"=1'-0" REF: N/A



D18
D.4 SCALE: 1'-0"=1'-0" REF: N/A



D22
D.4 SCALE: 1'-0"=1'-0" REF: N/A



D25
D.4 SCALE: 1'-0"=1'-0" REF: N/A

	METAL		MDF		PARTICLE BOARD
--	-------	--	-----	--	----------------

<input type="checkbox"/> LEED	<input type="checkbox"/> FSC	<input type="checkbox"/> NAUF	<input type="checkbox"/> FIRE RATED
MATERIAL DESCRIPTIONS:			
FINISH / WOOD SPECIES:			
F1	Blackened Acid Dip Finish	Per Approved Sample	
F2	Black		
CORES / SUBSTRATES:			
C10A	1/8" HDF		
C12G	1 1/16" PARTICLEBOARD		
C12E	1/2" PARTICLEBOARD		
C12H	3/4" PARTICLEBOARD		
C12J	1" PARTICLEBOARD		
C19E	1/2" PLYWOOD		
SOLID HARDWOOD:			
DOOR SLAB ASSEMBLY:			
DS1	Metal Framed 1-3/4" Door with 1/2" Glass Light		
DS2	Metal Framed 1-3/4" Sliding Door with 3/8" Glass Light		
DS3	Metal Framed 2" Sliding Door with 3/8" Glass Light		
OTHER MATERIAL (GLASS, STONE, METAL):			
M1	1/16" x 3/8" Black Foam Tape		
M2	1/2" Clear Tempered Glass (Polished edges, & VHB Tape)		
M3	20 Gauge Aluminum Panel Insert		
M4	3/8" Clear Tempered Glass (Polished edges, & VHB Tape)		
M9	1/32" x 1/2" 3M Clear VHB Tape		
M10	1/4" Wide 3M Clear VHB Tape, 40mil Thick		
M11	3M Dusted Crystal Film		
M12	Rubber Glazing Gasket- Black		
M13	1-1/4" x 3" Aluminum Tube Extrusion		
M14	1/2" x 1/2" x 1/8" Aluminum Angle		
M15	3/4" x 3/4" x 1/8" Aluminum Angle		
M19	3" x 3" x 1/8" Aluminum Sq. Tube		
M20	1/16" x 1/4" Clear VHB Tape		
M21	1" x 1/2" T" Metal Bar		
M22	1" x 3/4" T" Metal Bar		
M23	1-3/4" x 6" Aluminum Tube Extrusion		
HARDWARE:			
HS	See Door Hardware Schedule	FINISH:	QTY:
-	-	-	-
-	-	-	-
-	-	-	-
-	-	-	-
-	-	-	-
-	-	-	-
BY OTHERS / EXCLUSIONS:			
E1	Slab	-	-
E2	Finished Floor	-	-
E3	Finished Wall	-	-
E4	Finished Ceiling	-	-
DATE:	ISSUED FOR:	BY:	
6.21.19	Submittal	PD	
-	-	-	
-	-	-	
-	-	-	
-	-	-	



ARCHITECT:	CONTRACTOR:	
Ampersand Architecture 648 Broadway, Suite 912 New York, NY 10012 t: 212.777.1276	-	
PROJECT:	OXO 601 West 26th Street New York, NY 10001 9th Floor	
DRAWING TITLE:	VERDE IndustrialSystem	
DRAWN BY:	CHECKED BY:	SCALE:
PD	-	AS NOTED
JOB NUMBER:	DATE:	
VJ19072C	6.21.19	
JOB Barcode:	ITEM NUMBER:	
	1	
	DRAWING NO.:	
	D.4	

