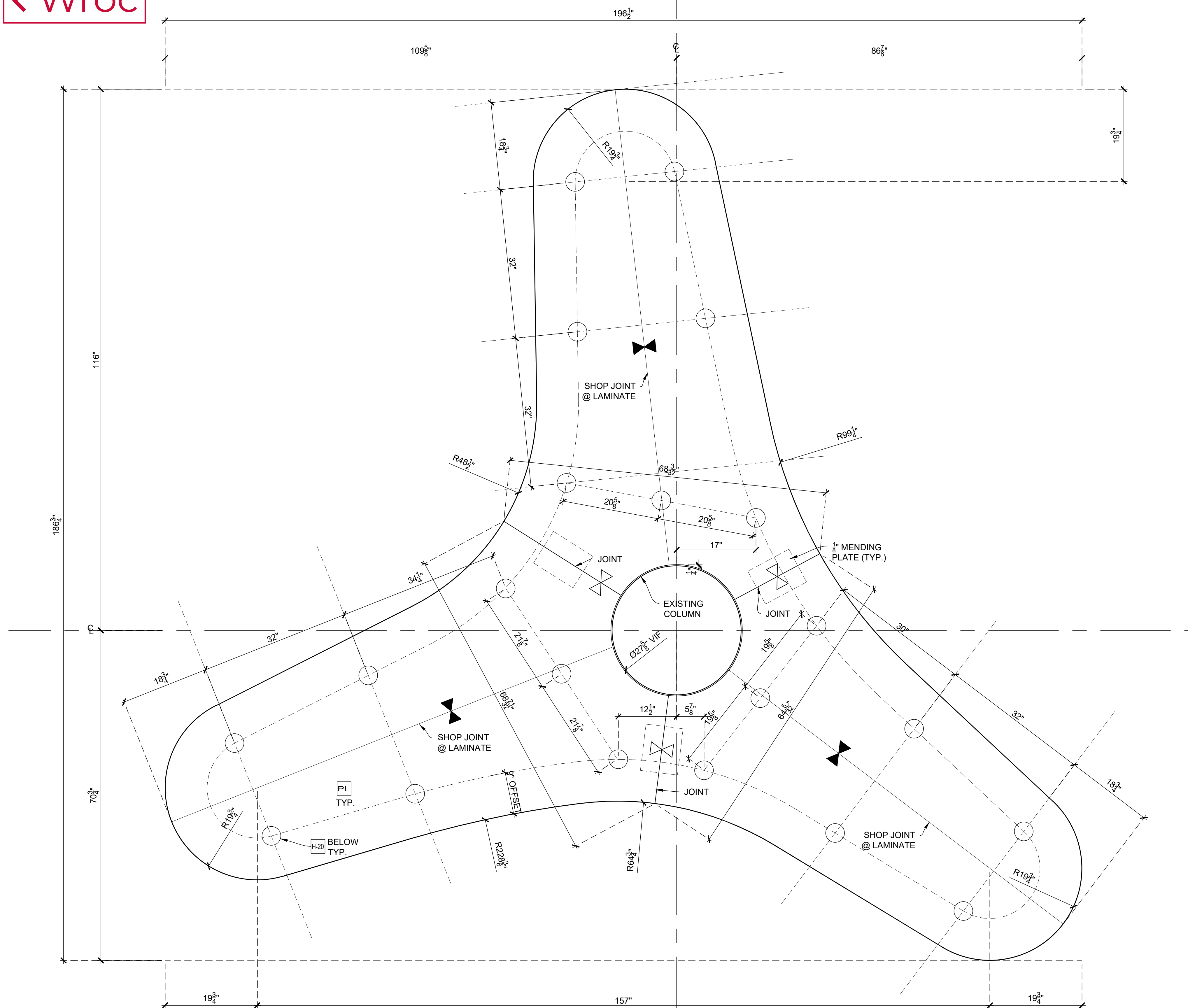


← Wróć



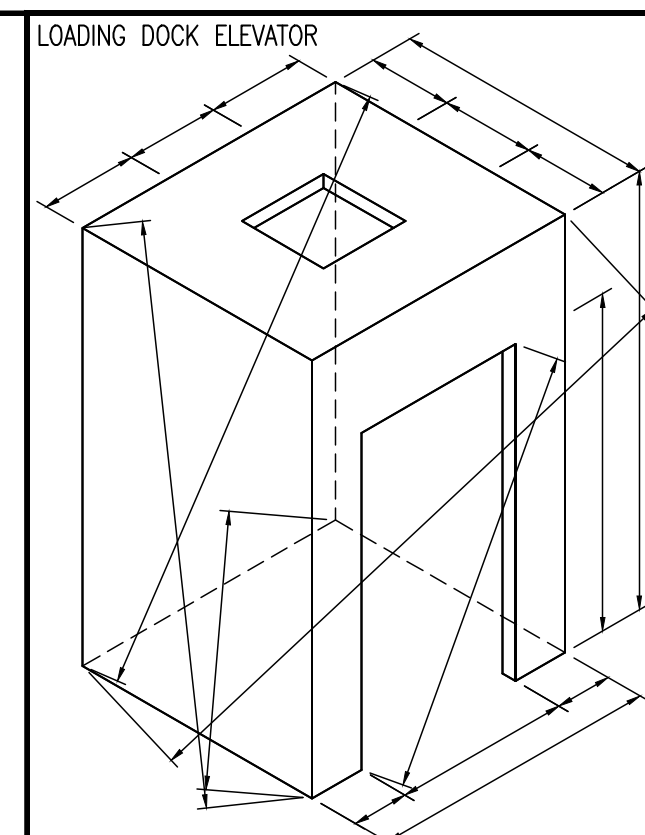
1-3 PLAN OF CAFE PROPELLER TABLE
SCALE: 1" = 1'-0"
Arch't Ref.: 1/A-852.00

01
13-01

ARCHITECT NOTE:
PLEASE VERIFY MODEL, MANUFACTURER
AND FINISH OF LEG

THIS SPACE
RESERVED
FOR
HARDWARE
SCHEDULE

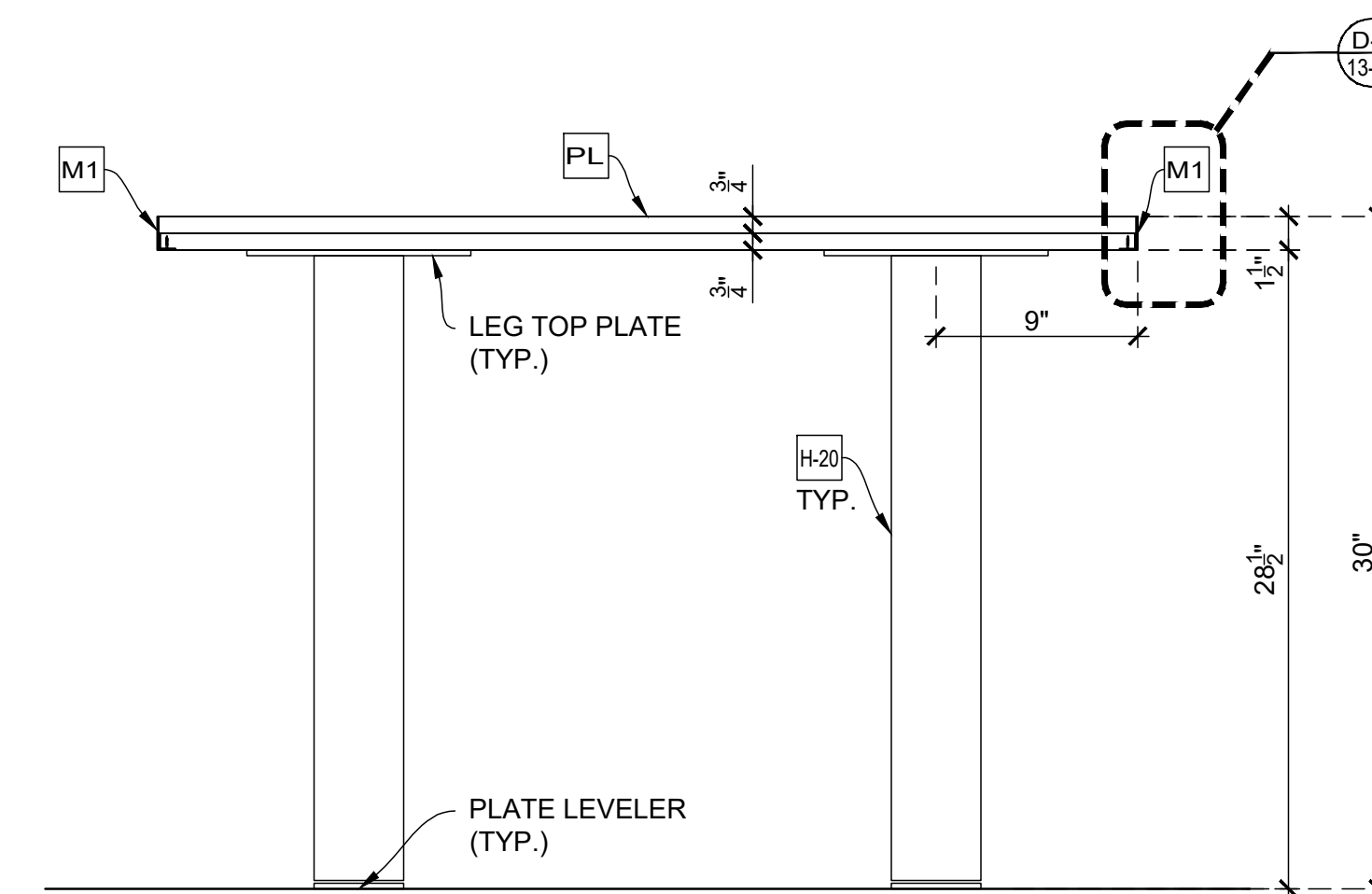
ARCHITECT NOTE:
PLEASE SPECIFY
PLASTIC LAMINATE



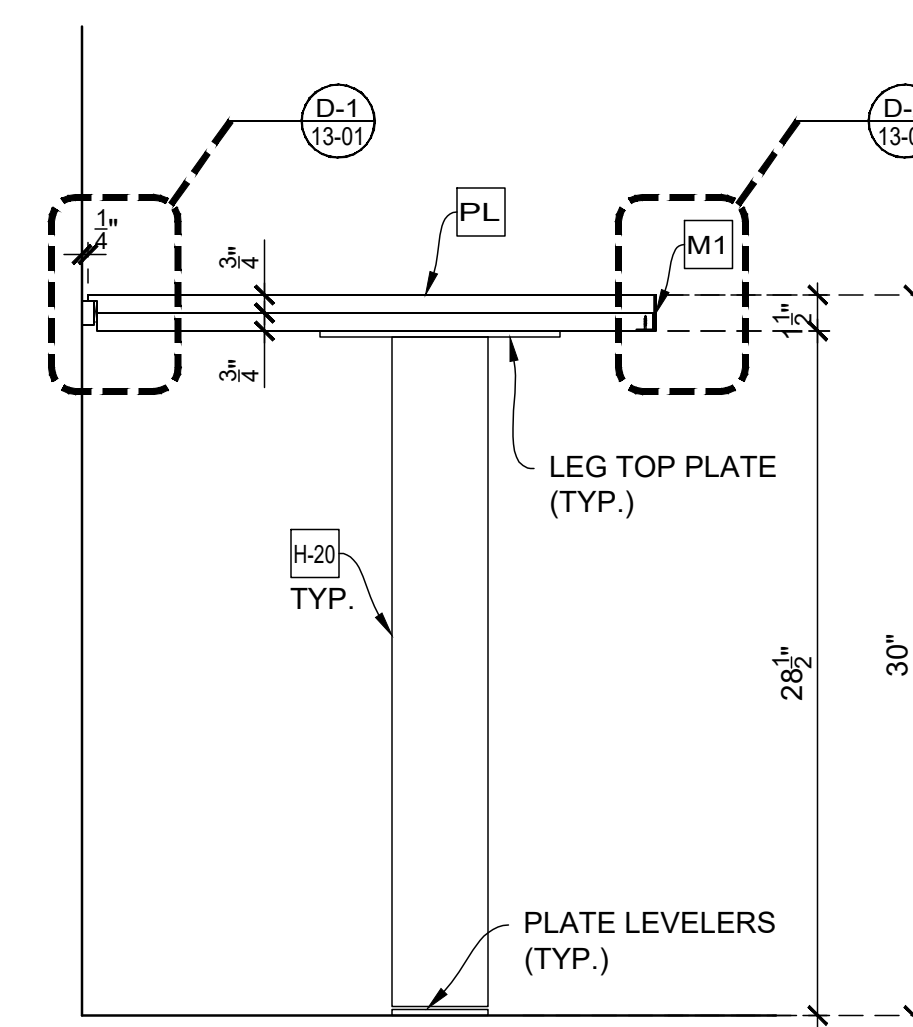
Loose to field
Fixed in shop

THIS SPACE
RESERVED
FOR FINISH
SCHEDULE

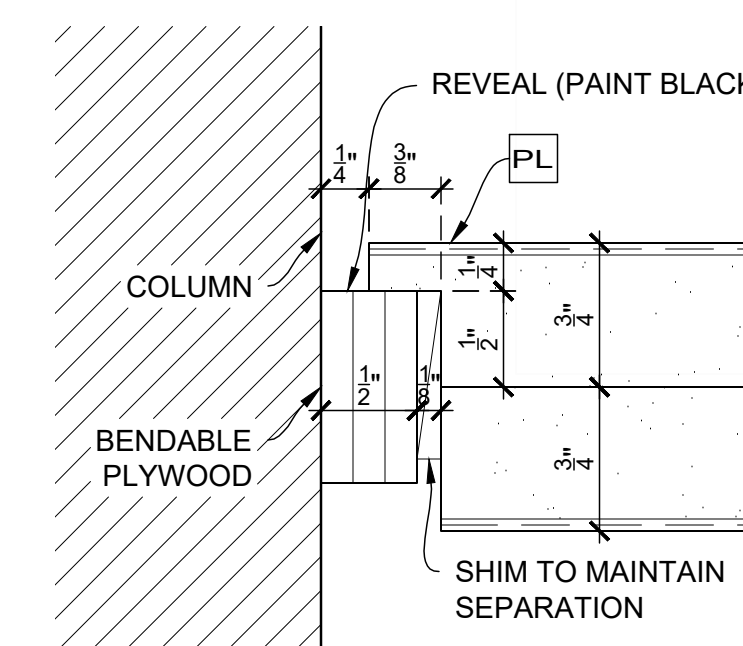
THIS SPACE
RESERVED
FOR
GENERAL
NOTES



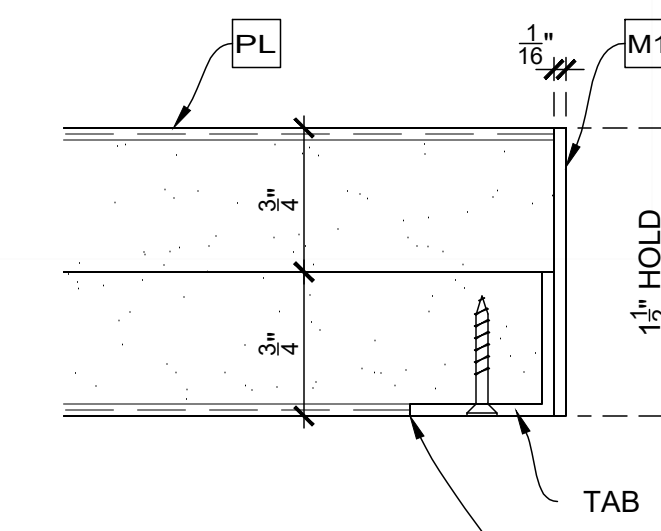
13-01 VERTICAL SECTION
SCALE: 1-1/2" = 1'-0"
Arch't Ref.:



13-01 VERTICAL SECTION
SCALE: 1-1/2" = 1'-0"
Arch't Ref.:

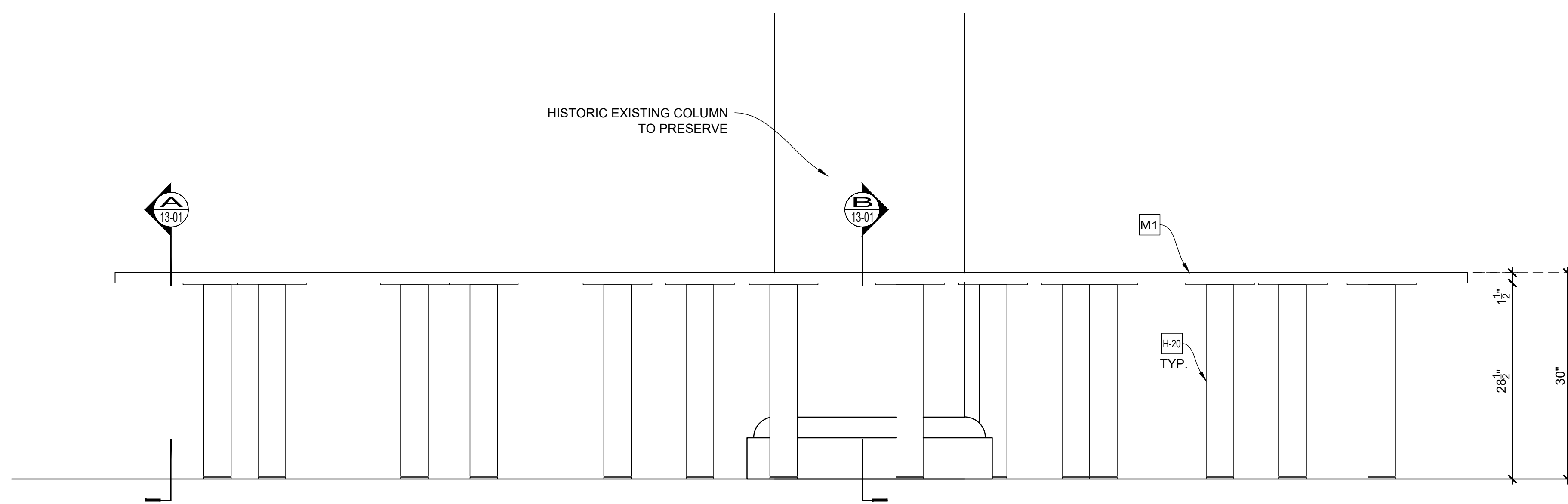


D-1 DETAIL
SCALE: FULL SCALE
Arch't Ref.:



D-2 DETAIL
SCALE: FULL SCALE
Arch't Ref.:

NOTCH FOR TAB AS REQ'D
OR USE ADEQUATE CORE THICKNESS TO HOLD 1 1/2" EDGE
- DEPENDS ON PL THICKNESS



01 ELEVATION
SCALE: 1" = 1'-0"
Arch't Ref.: 2/A-852.00

DRAWING SUBMITTALS AND RETURNS				
DATE	PURPOSE	TO	RETURN	RETURN STATUS

DRAWING REVISIONS			
DATE	DESCRIPTION	REVISED BY	COMMENTS
1			
2			
3			
4			
5			
6			
7			
8			
9			
10			

RELEASES FOR FABRICATION	
DATE	DESCRIPTION

TITLE: ITEM NO: DESC: DESC:	PLAN CAFE SEATING HISTORIC COLUMN 3300	By: PD	Scale: As Noted	Job No.:	Dwg. No. 13-01
Status: In Submittal Review Date: 2019-01-02					