

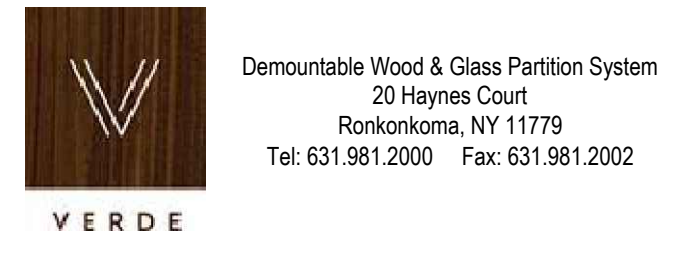


[Back](#)

DOOR TYPE INFORMATION				FIELD DIMENSIONS						J.O.				Leaf Info												
Drawing #	Fire Rating	Hardware Set #	Door Swing	Wall Thickness	Fin. Floor Thickness	Slab to BM	Curtainwall / Ceiling to BM	BM to Under Side of Header	F.O. Width	F.O. Height	Width	Height	Wood Species	Finish	Under Cut	Quantity	Thickness	Width	Height	Wood Species	Finish	Slab Release Date	Jamb/ Header Release Date	Notes	Door #	
<b>9th Floor</b>																										
1	955A	52	1								36	111 7/8	M13	F1	1/2	1	1 3/4	35 5/8	111 3/16	DS1	F1					955A
1	955B	52	1								36	111 7/8	M13	F1	1/2	1	1 3/4	35 5/8	111 3/16	DS1	F1					955B
1	956A	52	1.1								36	111 7/8	M13	F1	1/2	1	1 3/4	35 5/8	111 3/16	DS1	F1					956A
1	956B	52	1.1								36	111 7/8	M13	F1	1/2	1	1 3/4	35 5/8	111 3/16	DS1	F1					956B
1	959	75	1.4								40	90	-	-	1/2	1	2	42	90 3/4	DS4	F1					959
1	960A	72	1.5								40	90	-	-	1/2	1	1 3/4	41 1/4	88 7/8	DS2	F1					960A
1	960B	72	1.5								40	90	-	-	1/2	1	1 3/4	41 1/4	88 7/8	DS2	F1					960B

ARCHITECT PLEASE VERIFY UNDERCUT

MATERIAL DESCRIPTIONS:		
<b>FINISH / WOOD SPECIES:</b>		
F1	Blackened Acid Dip Finish	Per Approved Sample
F2	Black	
-	-	-
-	-	-
-	-	-
-	-	-
<b>CORES / SUBSTRATES:</b>		
C10A	1/8" HDF	
C12G	1 1/16" PARTICLEBOARD	
C12E	1/2" PARTICLEBOARD	
C12H	3/4" PARTICLEBOARD	
C12J	1" PARTICLEBOARD	
C19E	1/2" PLYWOOD	
-	-	-
-	-	-
-	-	-
-	-	-
-	-	-
-	-	-
-	-	-
<b>SOLID HARDWOOD:</b>		
-	-	-
-	-	-
-	-	-
<b>DOOR SLAB ASSEMBLY:</b>		
DS1	Metal Framed 1-3/4" Door with 1/2" Glass Light	
DS2	Metal Framed 1-3/4" Sliding Door with 3/8" Glass Light	
DS3	Metal Framed 2" Sliding Door with 3/8" Glass Light	
-	-	-
-	-	-
<b>OTHER MATERIAL (GLASS, STONE, METAL):</b>		
M1	1/16" x 3/8" Black Foam Tape	
M2	1/2" Clear Tempered Glass (Polished edges, & VHB Tape)	
M3	20 Gauge Aluminum Panel Insert	
M4	3/8" Clear Tempered Glass (Polished edges, & VHB Tape)	
M9	1/32" x 1/2" 3M Clear VHB Tape	
M10	1/4" Wide 3M Clear VHB Tape, 40mil Thick	
M11	3M Dusted Crystal Film	
M12	Rubber Glazing Gasket- Black	
M13	1-1/4" x 3" Aluminum Tube Extrusion	
M14	1/2" x 1/2" x 1/8" Aluminum Angle	
M15	3/4" x 3/4" x 1/8" Aluminum Angle	
M19	3"x 3 x 1/8" Aluminum Sq. Tube	
M20	1/16" x 1/4" Clear VHB Tape	
M21	1" x 1/2" "T" Metal Bar	
M22	1" x 3/4" "T" Metal Bar	
M23	1-3/4" x 6" Aluminum Tube Extrusion	
-	-	-
-	-	-
-	-	-
-	-	-
<b>HARDWARE:</b>		
HS	See Door Hardware Schedule	
-	-	-
-	-	-
-	-	-
-	-	-
-	-	-
-	-	-
-	-	-
-	-	-
<b>BY OTHERS / EXCLUSIONS:</b>		
E1	Slab	-
E2	Finished Floor	-
E3	Finished Wall	-
E4	Finished Ceiling	-
DATE:	ISSUED FOR:	BY:
6.21.19	Submittal	PD
-	-	-
-	-	-
-	-	-
-	-	-

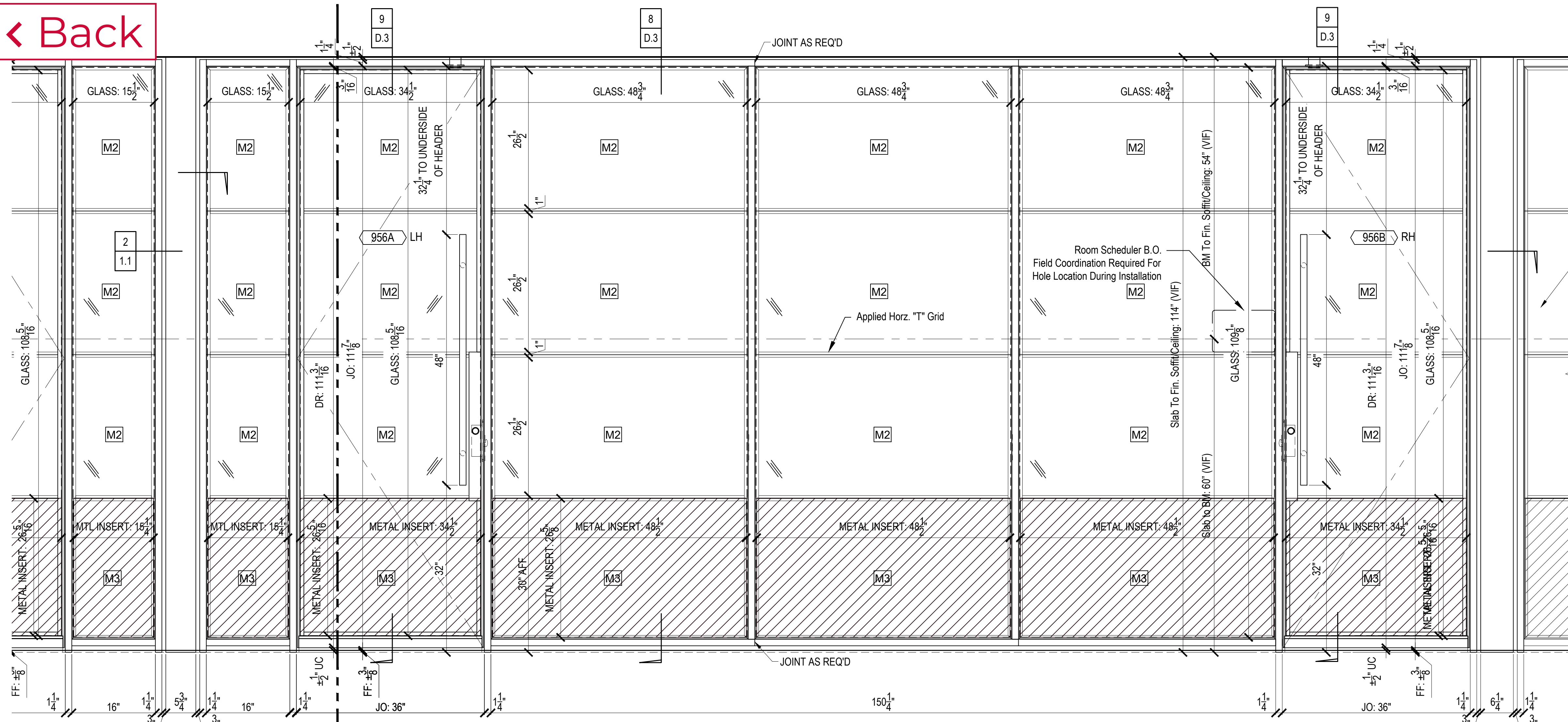


ARCHITECT: Ampersand Architecture 648 Broadway, Suite 912 New York, NY 10012 t: 212.777.1276	CONTRACTOR: -		
PROJECT: <b>OXO</b> 601 West 26th Street New York, NY 10001 9th Floor			
DRAWING TITLE: <b>VERDE Industrial System Door Schedule</b>			
DRAWN BY: PD	CHECKED BY: -	SCALE: AS NOTED	DATE: 6.21.19
JOB NUMBER: <b>VJ19072C</b>		ITEM NUMBER: <b>DS</b>	
JOB Barcode:		DRAWING NO. <b>DS</b>	

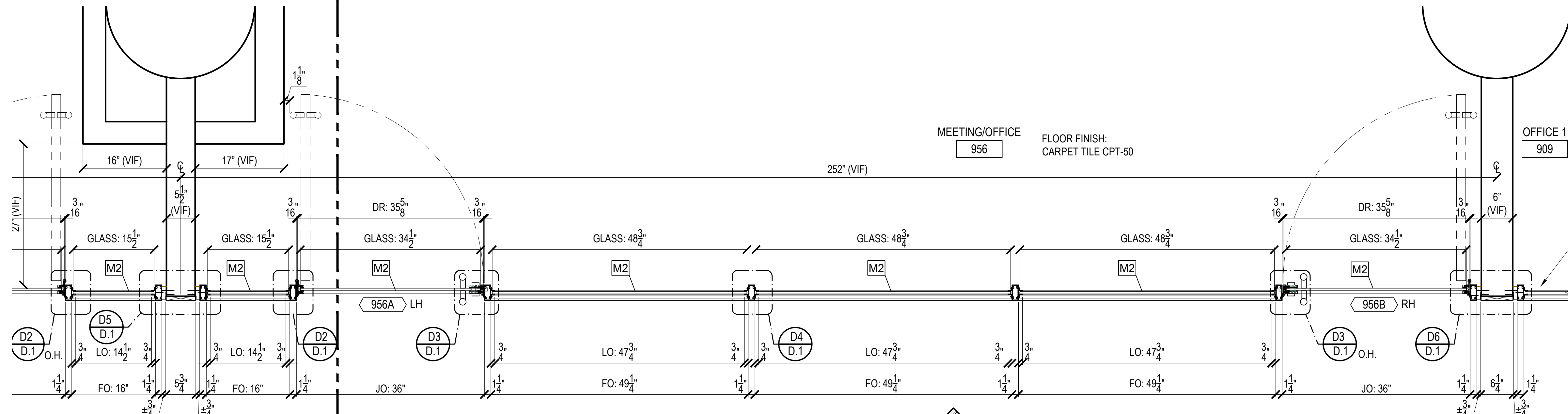
	METAL		MDF		PARTICLE BOARD
--	-------	--	-----	--	----------------



[← Back](#)



**ELEVATION**  
SCALE: 1"=1'-0" REF: 1/A-209.00



**HORZ. SECT.**  
SCALE: 1"=1'-0" REF: N/A

<input type="checkbox"/> LEED	<input type="checkbox"/> FSC	<input type="checkbox"/> NAUF	<input type="checkbox"/> FIRE RATED
MATERIAL DESCRIPTIONS:			
FINISH / WOOD SPECIES:			
F1	Blackened Acid Dip Finish	Per Approved Sample	
F2	Black		
-	-	-	-
-	-	-	-
-	-	-	-
CORES / SUBSTRATES:			
C10A	1/8" HDF		
C12G	1 1/16" PARTICLEBOARD		
C12E	1/2" PARTICLEBOARD		
C12H	3/4" PARTICLEBOARD		
C12J	1" PARTICLEBOARD		
C19E	1/2" PLYWOOD		
-	-	-	-
-	-	-	-
-	-	-	-
-	-	-	-
SOLID HARDWOOD:			
-	-	-	-
-	-	-	-
-	-	-	-
DOOR SLAB ASSEMBLY:			
DS1	Metal Framed 1-3/4" Door with 1/2" Glass Light		
DS2	Metal Framed 1-3/4" Sliding Door with 3/8" Glass Light		
DS3	Metal Framed 2" Sliding Door with 3/8" Glass Light		
-	-	-	-
-	-	-	-
OTHER MATERIAL (GLASS, STONE, METAL):			
M1	1/16" x 3/8" Black Foam Tape		
M2	1/2" Clear Tempered Glass (Polished edges, & VHB Tape)		
M3	20 Gauge Aluminum Panel Insert		
M4	3/8" Clear Tempered Glass (Polished edges, & VHB Tape)		
M9	1/32" x 1/2" 3M Clear VHB Tape		
M10	1/4" Wide 3M Clear VHB Tape, 40mil Thick		
M11	3M Dusted Crystal Film		
M12	Rubber Glazing Gasket- Black		
M13	1-1/4" x 3" Aluminum Tube Extrusion		
M14	1/2" x 1/2" x 1/8" Aluminum Angle		
M15	3/4" x 3/4" x 1/8" Aluminum Angle		
M19	3" x 3" x 1/8" Aluminum Sq. Tube		
M20	1/16" x 1/4" Clear VHB Tape		
M21	1" x 1/2" "T" Metal Bar		
M22	1" x 3/4" "T" Metal Bar		
M23	1-3/4" x 6" Aluminum Tube Extrusion		
-	-	-	-
-	-	-	-
-	-	-	-
HARDWARE:		FINISH:	QTY:
HS	See Door Hardware Schedule	-	-
-	-	-	-
-	-	-	-
-	-	-	-
-	-	-	-
-	-	-	-
-	-	-	-
-	-	-	-
-	-	-	-
-	-	-	-
BY OTHERS / EXCLUSIONS:			
E1	Slab	-	-
E2	Finished Floor	-	-
E3	Finished Wall	-	-
E4	Finished Ceiling	-	-
DATE:	ISSUED FOR:	BY:	
6.21.19	Submittal	PD	
-	-	-	
-	-	-	
-	-	-	



ARCHITECT: Ampersand Architecture  
648 Broadway, Suite 912  
New York, NY 10012  
t: 212.777.1276

CONTRACTOR:

PROJECT: OXO  
601 West 26th Street  
New York, NY 10001  
9th Floor

DRAWING TITLE:  
**VERDE IndustrialSystem**

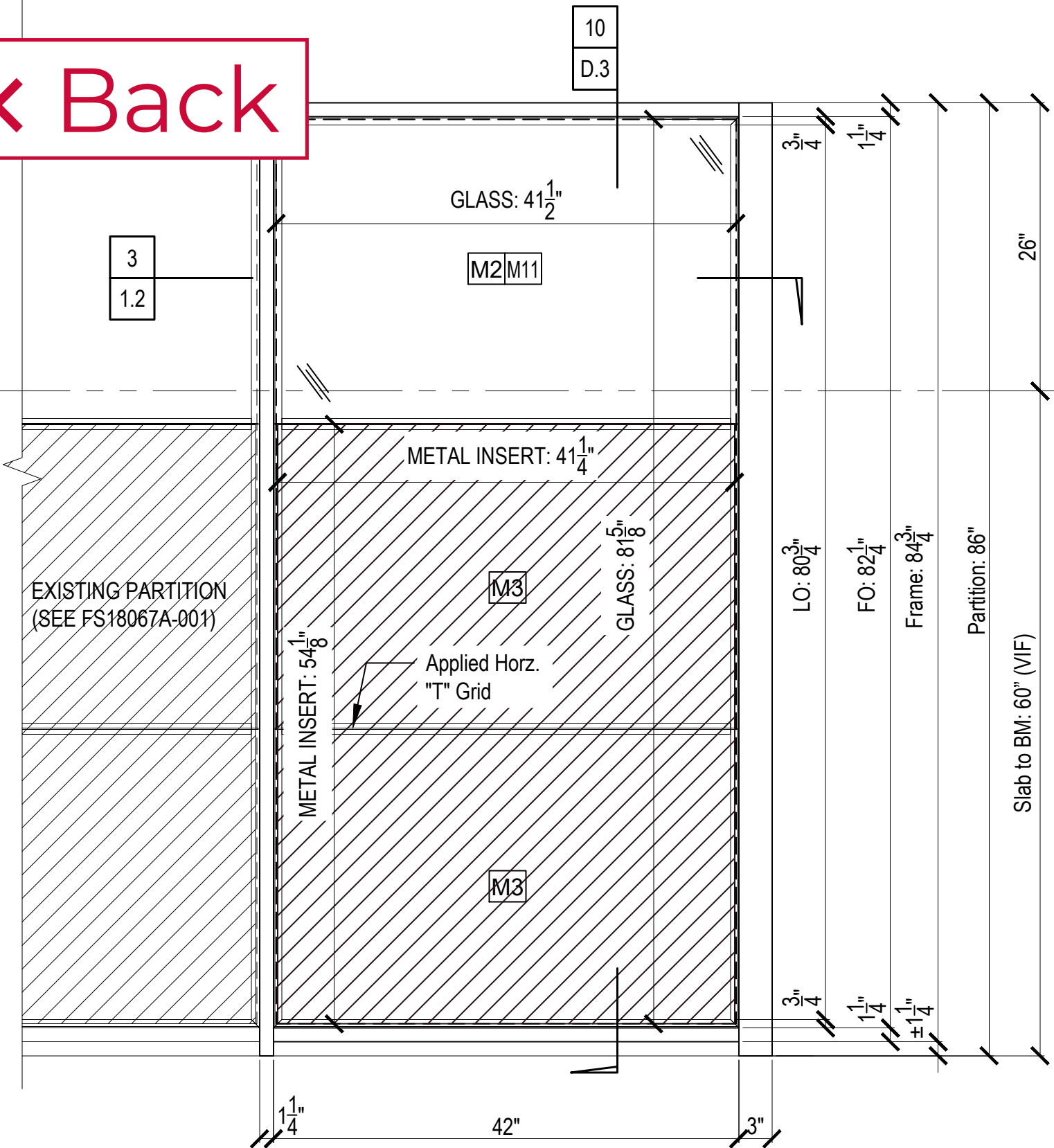
DRAWN BY: PD CHECKED BY: AS NOTED SCALE: DATE: 6.21.19

JOB NUMBER: **VJ19072C** ITEM NUMBER: **1**

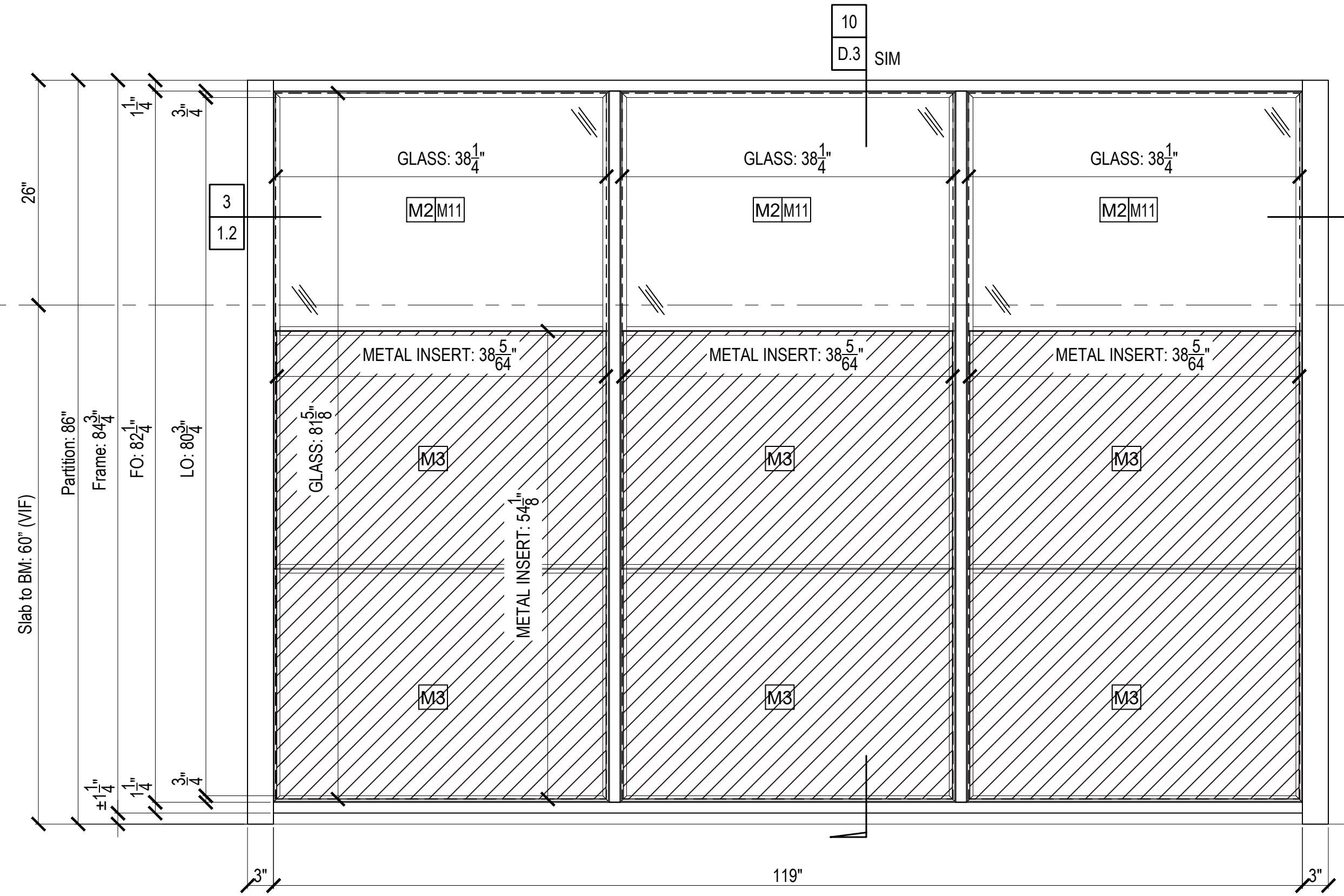
JOB Barcode: DRAWING NO. **1.1**



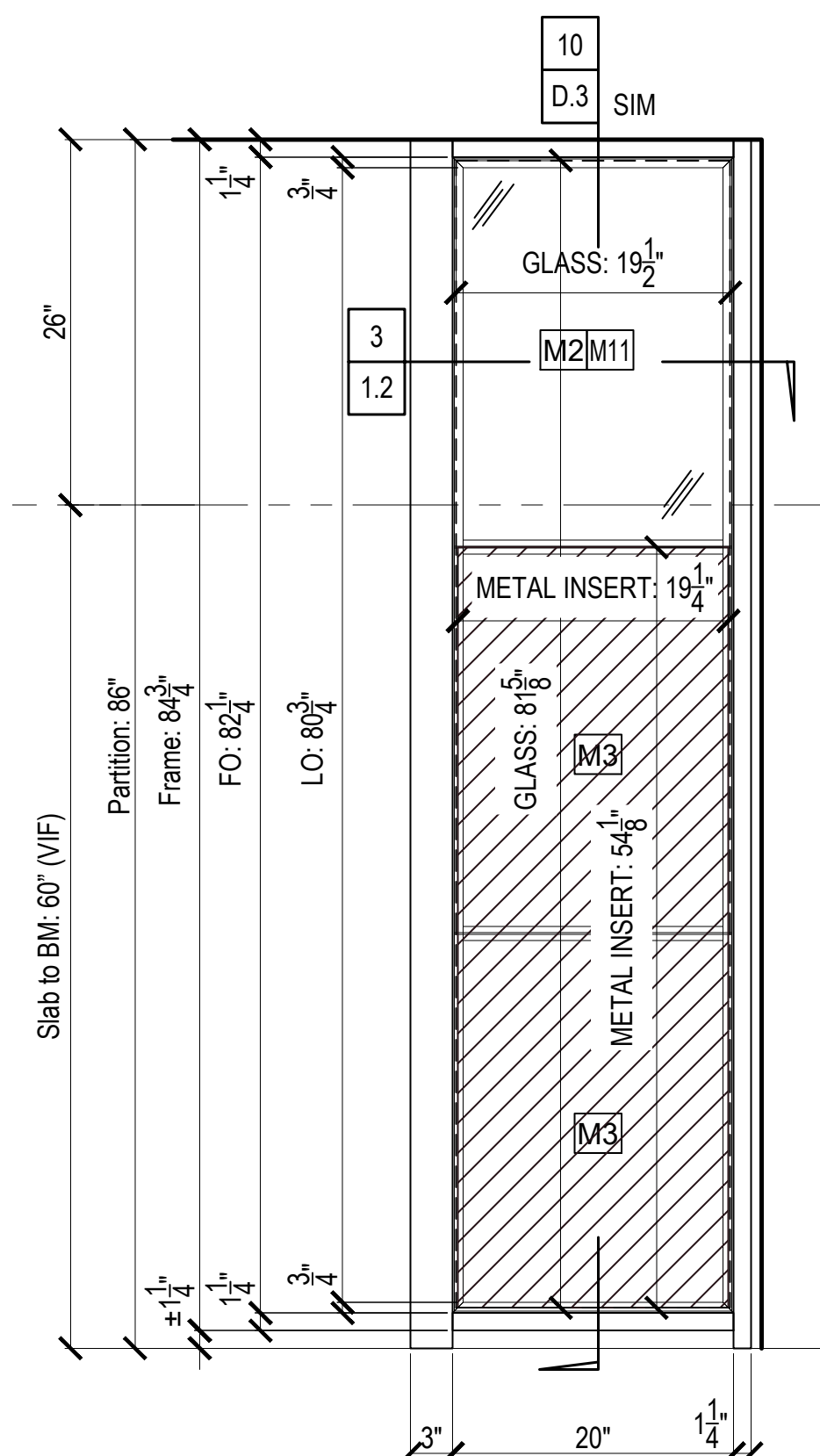
[← Back](#)



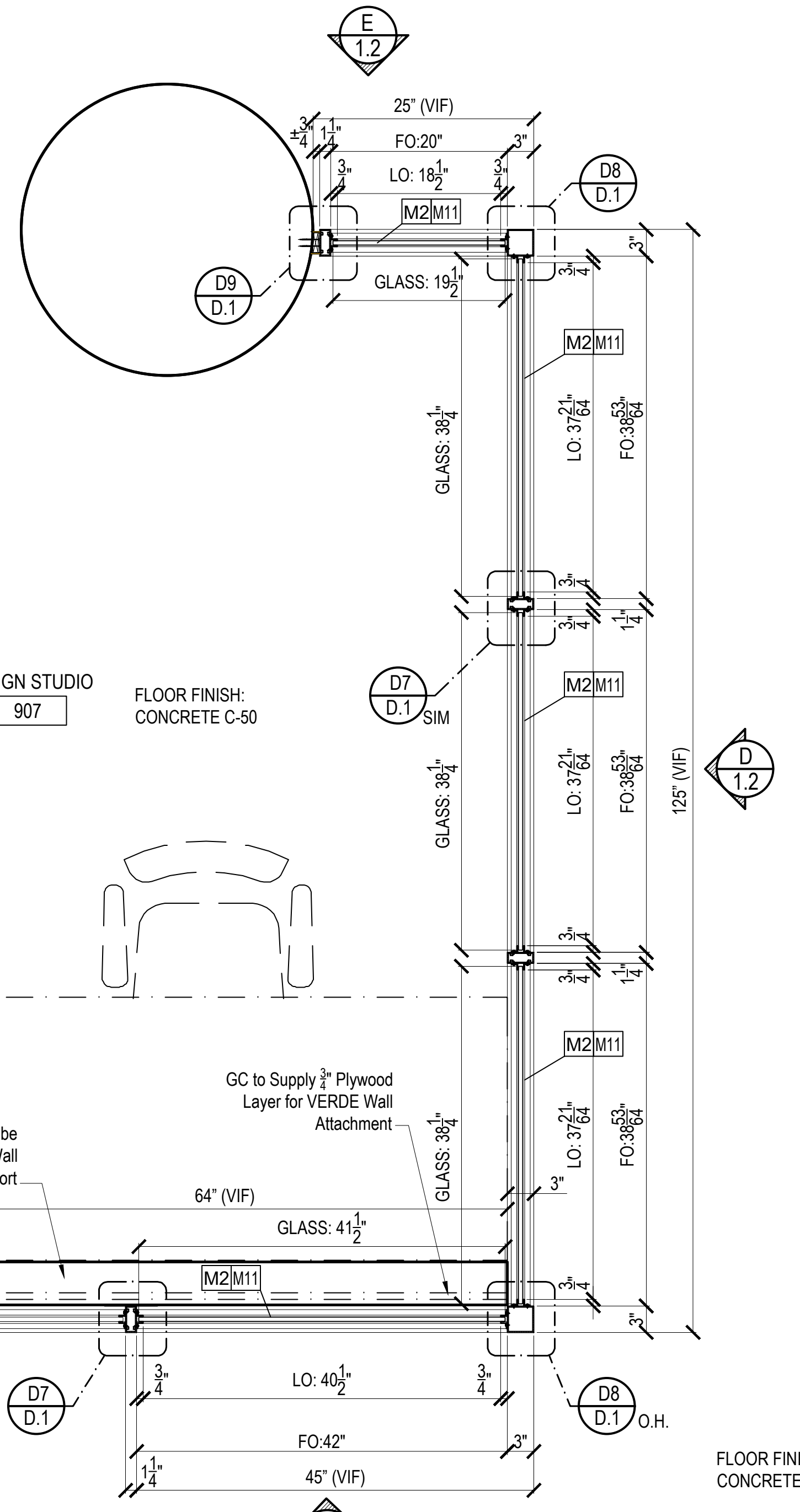
**ELEVATION C**  
SCALE: 1"=1'-0" REF: 2/A-209.00



**ELEVATION D**  
SCALE: 1"=1'-0" REF: 4/A-209.00



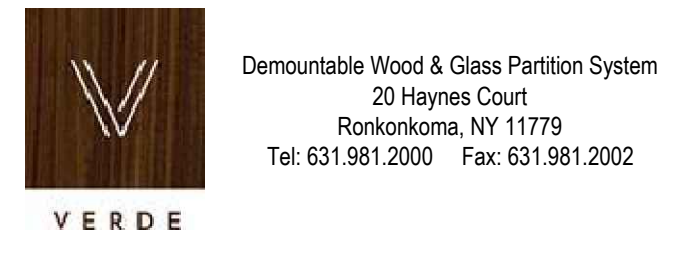
**ELEVATION E**  
SCALE: 1"=1'-0" REF: N/A



**HORZ. SECT. C**  
SCALE: 1"=1'-0" REF: N/A

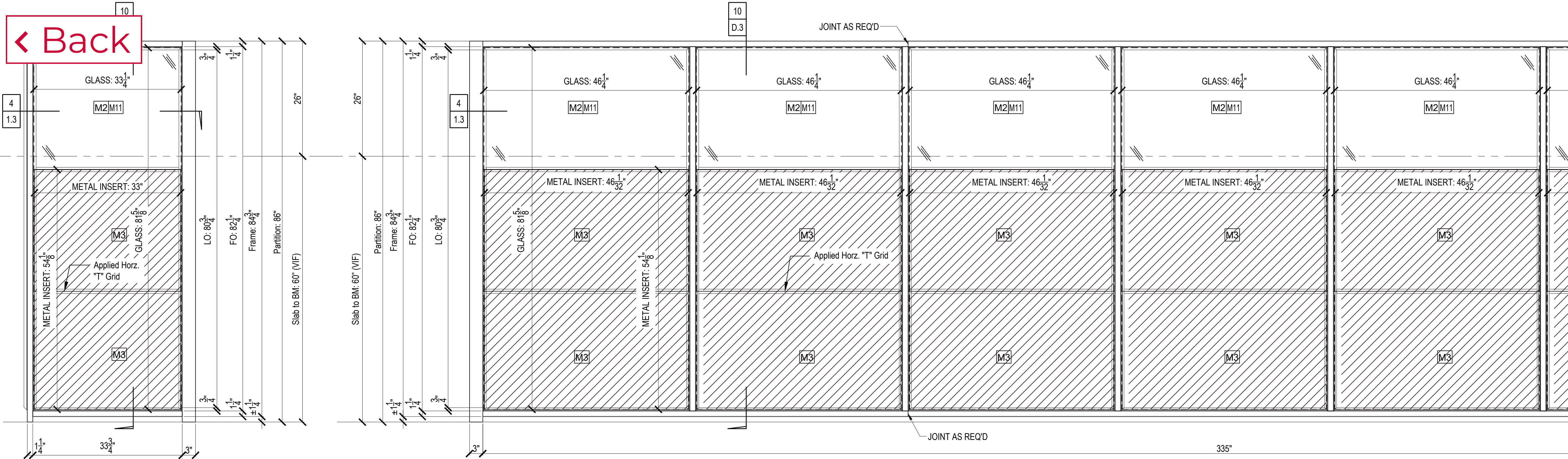


<input type="checkbox"/> LEED	<input type="checkbox"/> FSC	<input type="checkbox"/> NAUF	<input type="checkbox"/> FIRE RATED
MATERIAL DESCRIPTIONS:			
FINISH / WOOD SPECIES:			
F1	Blackened Acid Dip Finish	Per Approved Sample	
F2	Black		
CORES / SUBSTRATES:			
C10A	1/8" HDF		
C12G	1 1/16" PARTICLEBOARD		
C12E	1/2" PARTICLEBOARD		
C12H	3/4" PARTICLEBOARD		
C12J	1" PARTICLEBOARD		
C19E	1/2" PLYWOOD		
SOLID HARDWOOD:			
DOOR SLAB ASSEMBLY:			
DS1	Metal Framed 1-3/4" Door with 1/2" Glass Light		
DS2	Metal Framed 1-3/4" Sliding Door with 3/8" Glass Light		
DS3	Metal Framed 2" Sliding Door with 3/8" Glass Light		
OTHER MATERIAL (GLASS, STONE, METAL):			
M1	1/16" x 3/8" Black Foam Tape		
M2	1/2" Clear Tempered Glass (Polished edges, & VHB Tape)		
M3	20 Gauge Aluminum Panel Insert		
M4	3/8" Clear Tempered Glass (Polished edges, & VHB Tape)		
M9	1/32" x 1/2" 3M Clear VHB Tape		
M10	1/4" Wide 3M Clear VHB Tape, 40mil Thick		
M11	3M Dusted Crystal Film		
M12	Rubber Glazing Gasket- Black		
M13	1-1/4" x 3" Aluminum Tube Extrusion		
M14	1/2" x 1/2" x 1/8" Aluminum Angle		
M15	3/4" x 3/4" x 1/8" Aluminum Angle		
M19	3" x 3" x 1/8" Aluminum Sq. Tube		
M20	1/16" x 1/4" Clear VHB Tape		
M21	1" x 1/2" "T" Metal Bar		
M22	1" x 3/4" "T" Metal Bar		
M23	1-3/4" x 6" Aluminum Tube Extrusion		
HARDWARE:			
HS	See Door Hardware Schedule	FINISH:	QTY:
BY OTHERS / EXCLUSIONS:			
E1	Slab		
E2	Finished Floor		
E3	Finished Wall		
E4	Finished Ceiling		
DATE:	ISSUED FOR:	BY:	
6.21.19	Submittal	PD	



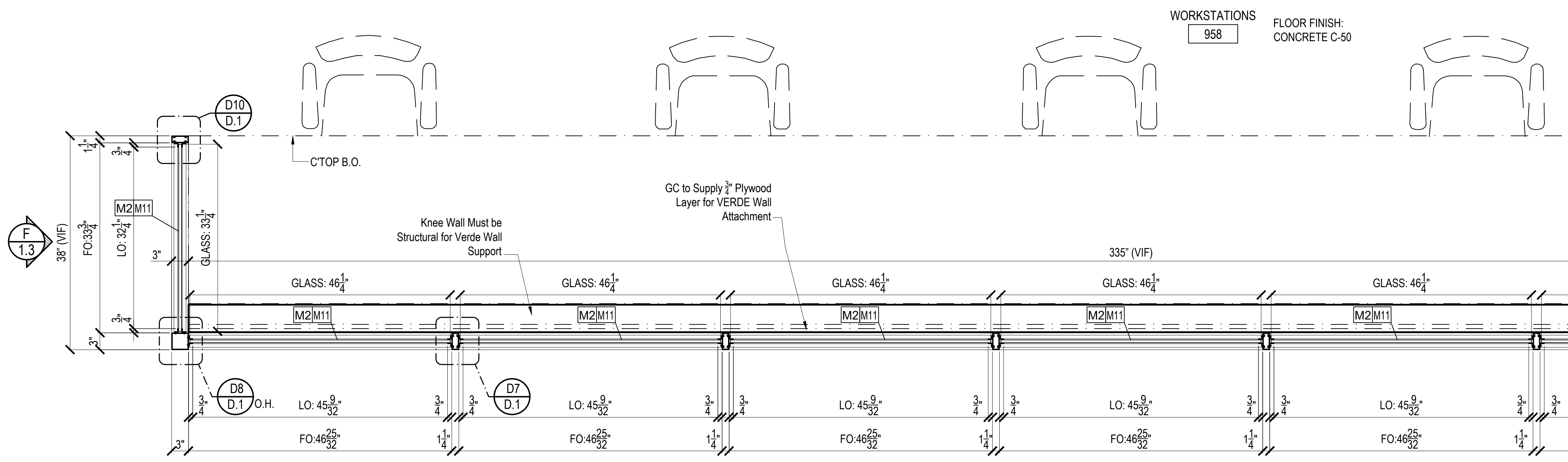
ARCHITECT:	Ampersand Architecture 648 Broadway, Suite 912 New York, NY 10012 t: 212.777.1276	CONTRACTOR:	
PROJECT:	OXO 601 West 26th Street New York, NY 10001 9th Floor		
DRAWING TITLE:	VERDE IndustrialSystem		
DRAWN BY:	PD	CHECKED BY:	AS NOTED
SCALE:		DATE:	6.21.19
JOB NUMBER:	VJ19072C	ITEM NUMBER:	1
JOB Barcode:		DRAWING NO.:	1.2

[← Back](#)



**ELEVATION**  
SCALE: 1"=1'-0" REF: N/A

**ELEVATION**  
SCALE: 1"=1'-0" REF: 2/A-209.00



**HORZ. SECT.**  
SCALE: 1"=1'-0" REF: N/A

WORKSTATIONS  
958  
FLOOR FINISH:  
CONCRETE C-50

FLOOR FINISH:  
CONCRETE C-50

LEED  FSC  NAUF  FIRE RATED

**MATERIAL DESCRIPTIONS:**

**FINISH / WOOD SPECIES:**

F1	Blackened Acid Dip Finish Per Approved Sample
F2	Black
-	-
-	-
-	-
-	-

**CORES / SUBSTRATES:**

C10A	1/8" HDF
C12G	11/16" PARTICLEBOARD
C12E	1/2" PARTICLEBOARD
C12H	3/4" PARTICLEBOARD
C12J	1" PARTICLEBOARD
C19E	1/2" PLYWOOD
-	-
-	-
-	-
-	-

**SOLID HARDWOOD:**

-	-
-	-
-	-
-	-

**DOOR SLAB ASSEMBLY:**

DS1	Metal Framed 1-3/4" Door with 1/2" Glass Light
DS2	Metal Framed 1-3/4" Sliding Door with 3/8" Glass Light
DS3	Metal Framed 2" Sliding Door with 3/8" Glass Light
-	-
-	-

**OTHER MATERIAL (GLASS, STONE, METAL):**

M1	1/16" x 3/8" Black Foam Tape
M2	1/2" Clear Tempered Glass (Polished edges, & VHB Tape)
M3	20 Gauge Aluminum Panel Insert
M4	3/8" Clear Tempered Glass (Polished edges, & VHB Tape)
M9	1/32" x 1/2" 3M Clear VHB Tape
M10	1/4" Wide 3M Clear VHB Tape, 40mil Thick
M11	3M Dusted Crystal Film
M12	Rubber Glazing Gasket- Black
M13	1-1/4" x 3" Aluminum Tube Extrusion
M14	1/2" x 1/2" x 1/8" Aluminum Angle
M15	3/4" x 3/4" x 1/8" Aluminum Angle
M19	3" x 3" x 1/8" Aluminum Sq. Tube
M20	1/16" x 1/4" Clear VHB Tape
M21	1" x 1/2" 1/4" Metal Bar
M22	1" x 3/4" 1/4" Metal Bar
M23	1-3/4" x 6" Aluminum Tube Extrusion
-	-
-	-

**HARDWARE:**

HS	FINISH:	QTY:
See Door Hardware Schedule	-	-
-	-	-
-	-	-
-	-	-
-	-	-
-	-	-
-	-	-
-	-	-
-	-	-
-	-	-

**BY OTHERS / EXCLUSIONS:**

E1	Slab	-	-
E2	Finished Floor	-	-
E3	Finished Wall	-	-
E4	Finished Ceiling	-	-

**DATE:** 6.21.19  
**ISSUED FOR:** Submittal  
**BY:** PD



**ARCHITECT:** Ampersand Architecture, 648 Broadway, Suite 912, New York, NY 10012, t: 212.777.1276

**CONTRACTOR:**

**PROJECT:** OXO, 601 West 26th Street, New York, NY 10001, 9th Floor

**DRAWING TITLE:** VERDE IndustrialSystem

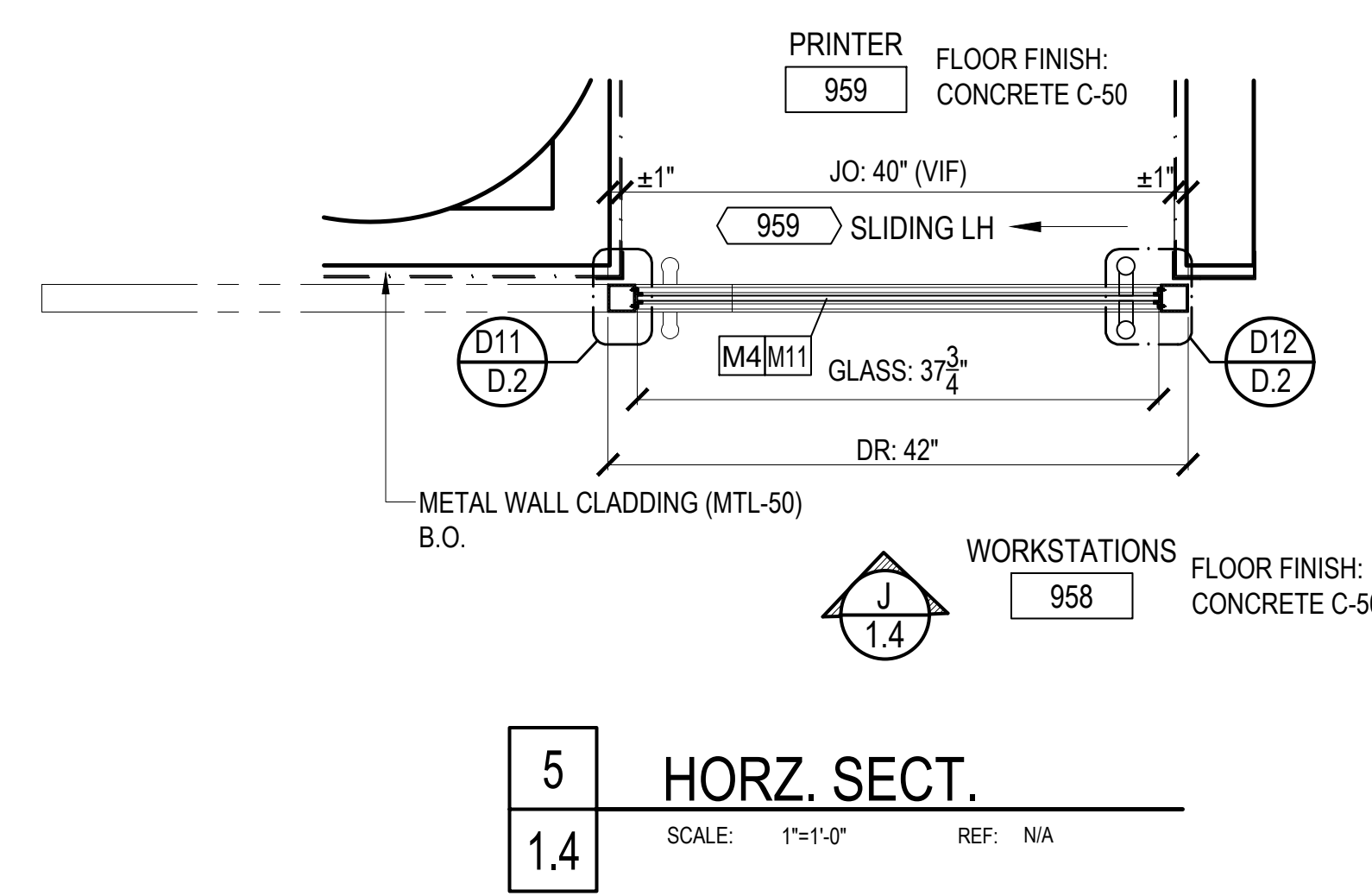
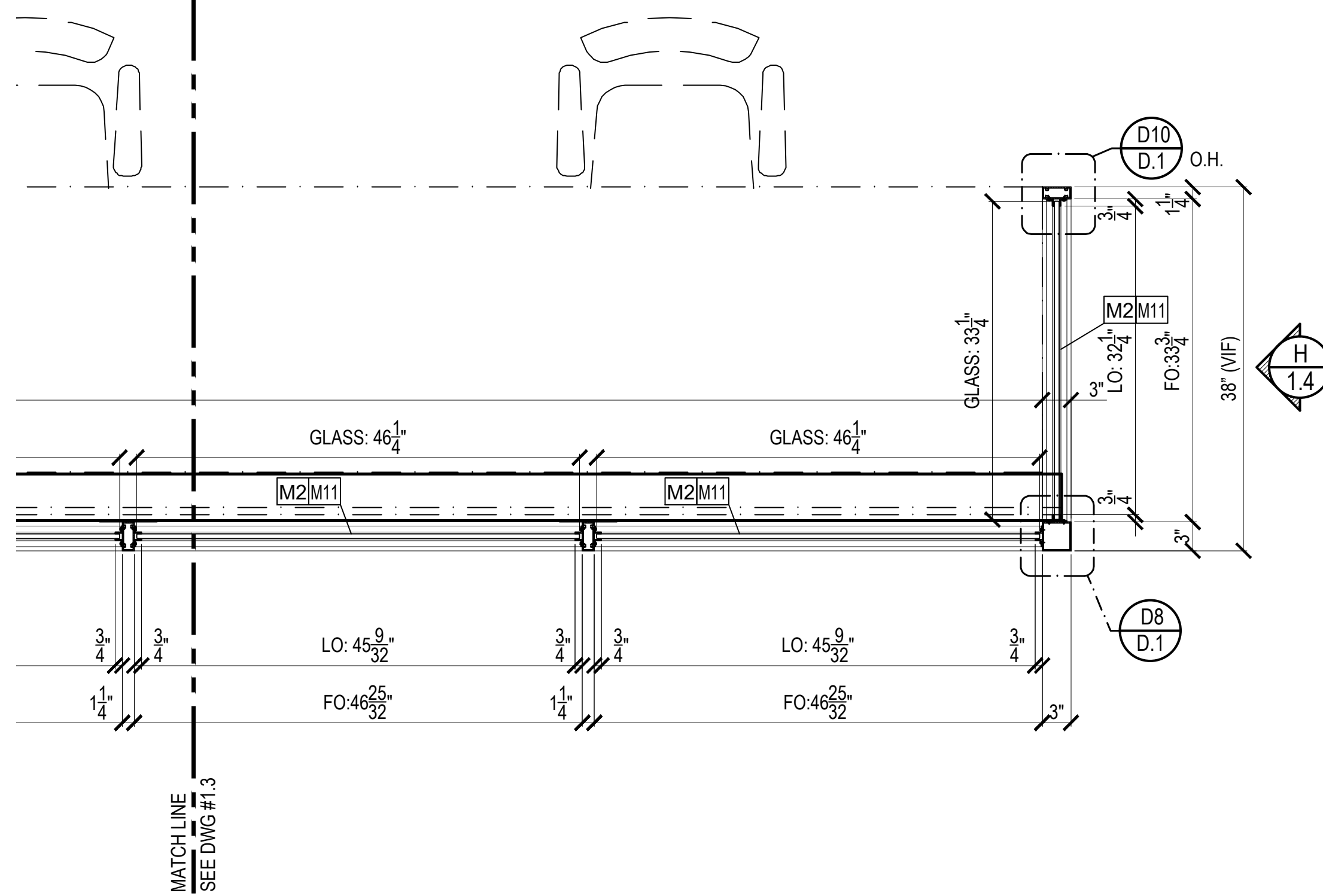
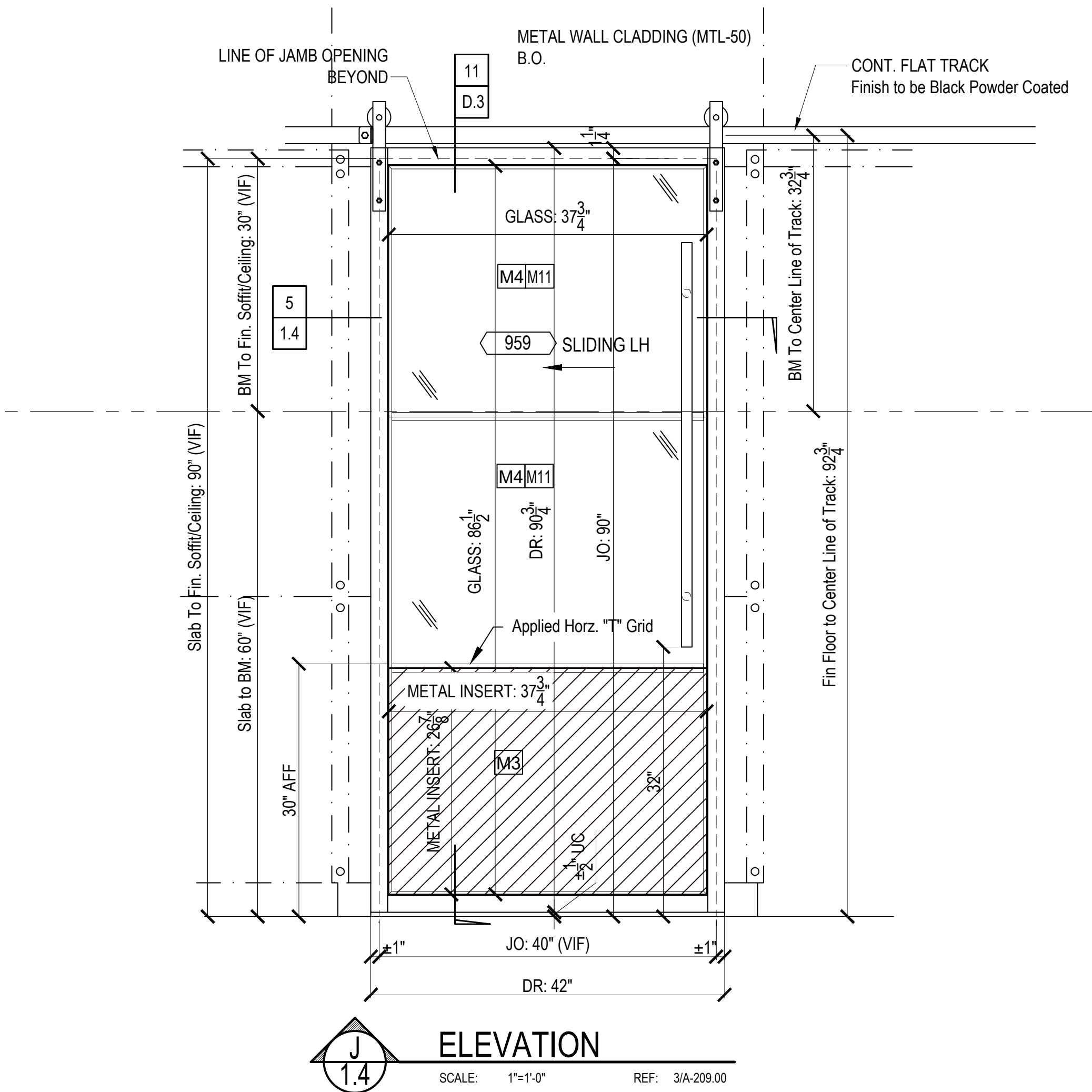
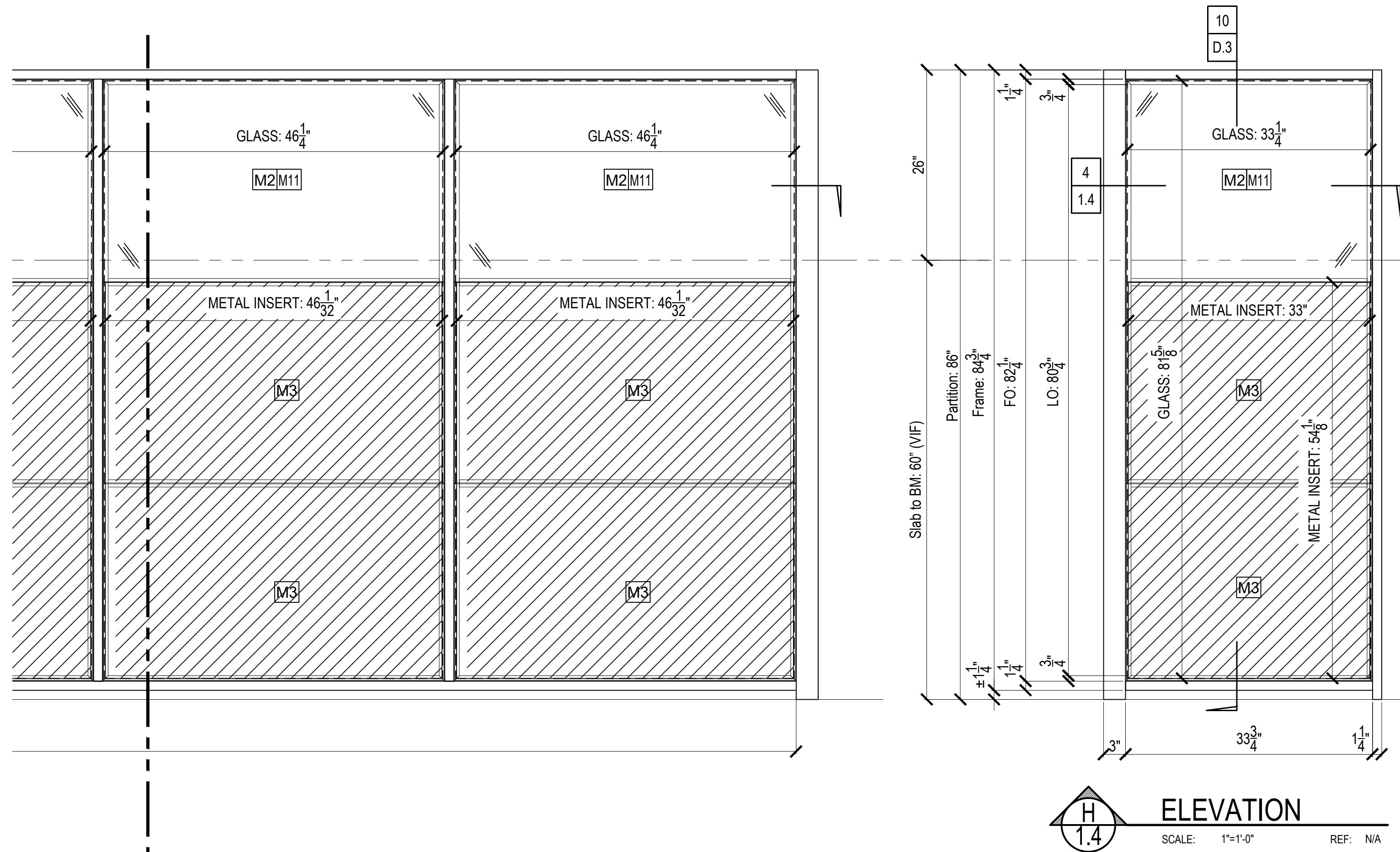
**DRAWN BY:** PD  
**CHECKED BY:** AS NOTED  
**SCALE:** AS NOTED  
**DATE:** 6.21.19

**JOB NUMBER:** VJ19072C  
**ITEM NUMBER:** 1

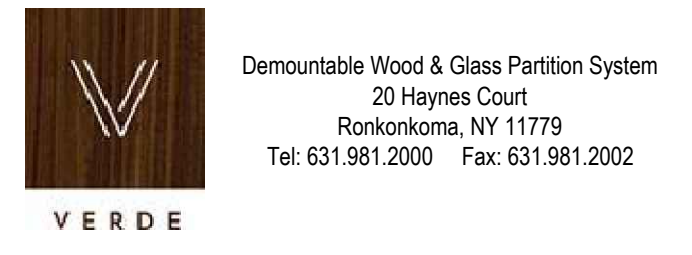
**JOB Barcode:**  
**DRAWING NO.:** 1.3



[← Back](#)



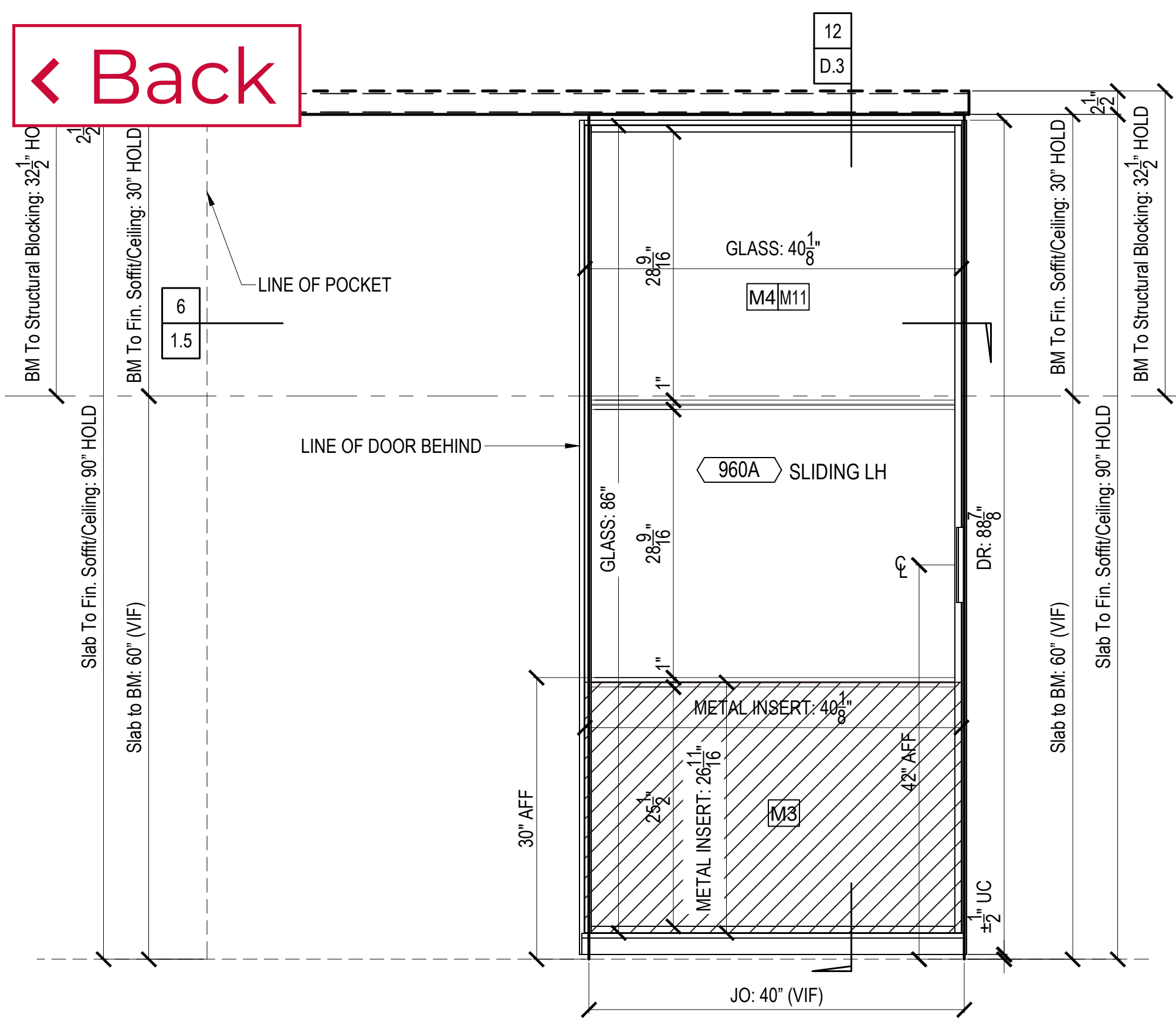
<input type="checkbox"/> LEED	<input type="checkbox"/> FSC	<input type="checkbox"/> NAUF	<input type="checkbox"/> FIRE RATED
MATERIAL DESCRIPTIONS:			
FINISH / WOOD SPECIES:			
F1	Blackened Acid Dip Finish	Per Approved Sample	
F2	Black		
-			
-			
CORES / SUBSTRATES:			
C10A	1/8" HDF		
C12G	1 1/16" PARTICLEBOARD		
C12E	1/2" PARTICLEBOARD		
C12H	3/4" PARTICLEBOARD		
C12J	1" PARTICLEBOARD		
C19E	1/2" PLYWOOD		
-			
-			
SOLID HARDWOOD:			
-			
-			
DOOR SLAB ASSEMBLY:			
DS1	Metal Framed 1-3/4" Door with 1/2" Glass Light		
DS2	Metal Framed 1-3/4" Sliding Door with 3/8" Glass Light		
DS3	Metal Framed 2" Sliding Door with 3/8" Glass Light		
-			
OTHER MATERIAL (GLASS, STONE, METAL):			
M1	1/16" x 3/8" Black Foam Tape		
M2	1/2" Clear Tempered Glass (Polished edges, & VHB Tape)		
M3	20 Gauge Aluminum Panel Insert		
M4	3/8" Clear Tempered Glass (Polished edges, & VHB Tape)		
M9	1/32" x 1/2" 3M Clear VHB Tape		
M10	1/4" Wide 3M Clear VHB Tape, 40mil Thick		
M11	3M Dusted Crystal Film		
M12	Rubber Glazing Gasket- Black		
M13	1-1/4" x 3" Aluminum Tube Extrusion		
M14	1/2" x 1/2" x 1/8" Aluminum Angle		
M15	3/4" x 3/4" x 1/8" Aluminum Angle		
M19	3"x 3 x 1/8" Aluminum Sq. Tube		
M20	1/16" x 1/4" Clear VHB Tape		
M21	1" x 1/2" "T" Metal Bar		
M22	1" x 3/4" "T" Metal Bar		
M23	1-3/4" x 6" Aluminum Tube Extrusion		
-			
-			
HARDWARE:		FINISH:	QTY:
HS	See Door Hardware Schedule	-	-
-			
-			
-			
-			
-			
-			
-			
BY OTHERS / EXCLUSIONS:			
E1	Slab	-	-
E2	Finished Floor	-	-
E3	Finished Wall	-	-
E4	Finished Ceiling	-	-
-			
DATE:		ISSUED FOR:	BY:
6.21.19		Submittal	PD
-		-	-
-		-	-
-		-	-
-		-	-



ARCHITECT:	CONTRACTOR:		
Ampersand Architecture 648 Broadway, Suite 912 New York, NY 10012 t: 212.777.1276	- - -		
PROJECT:	OXO 601 West 26th Street New York, NY 10001 9th Floor		
DRAWING TITLE:	VERDE IndustrialSystem		
DRAWN BY:	CHECKED BY:	SCALE:	DATE:
PD	-	AS NOTED	6.21.19
JOB NUMBER:	ITEM NUMBER:		
VJ19072C	1		
JOB Barcode:	DRAWING NO.		
	1.4		

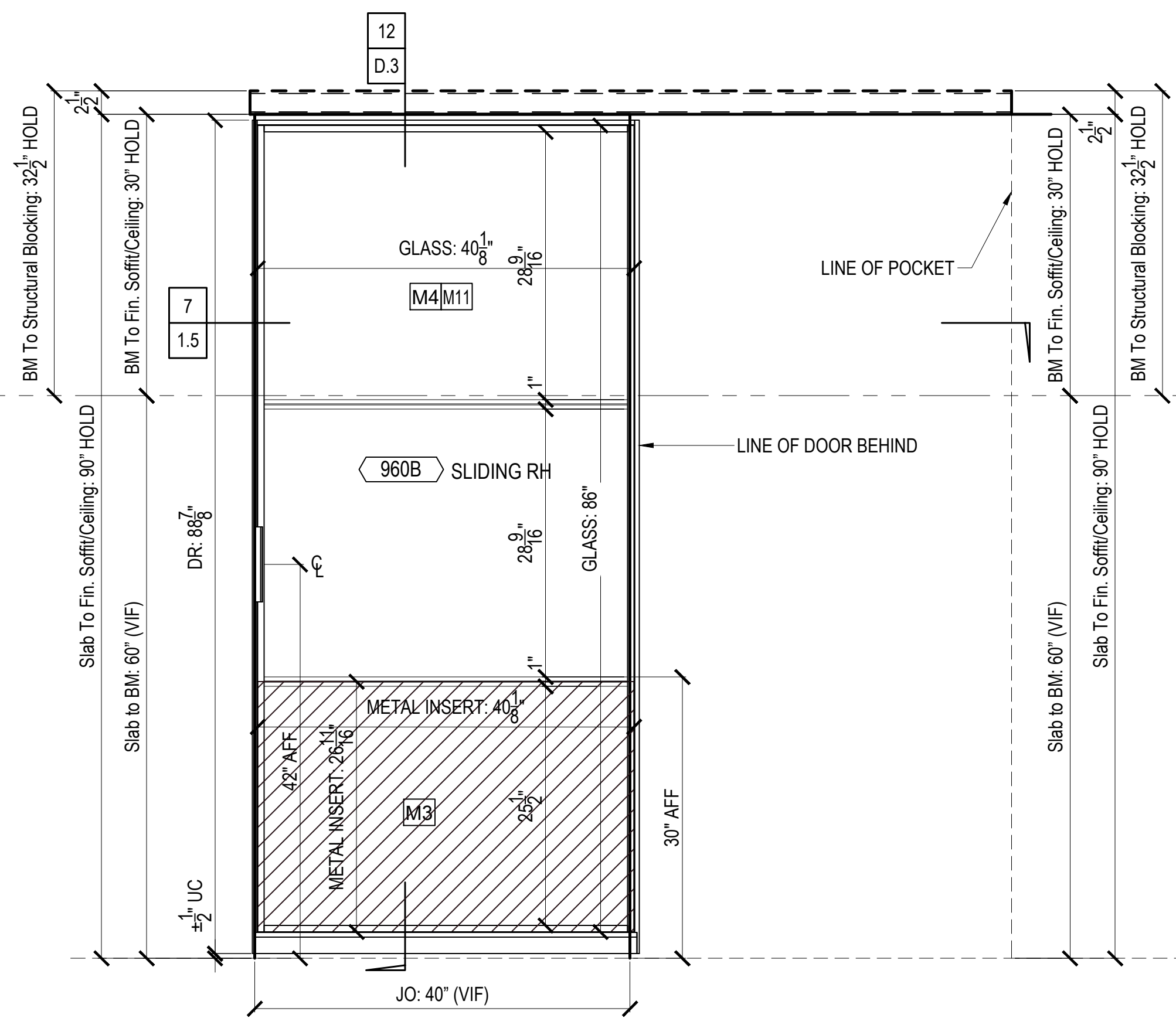


[Back](#)



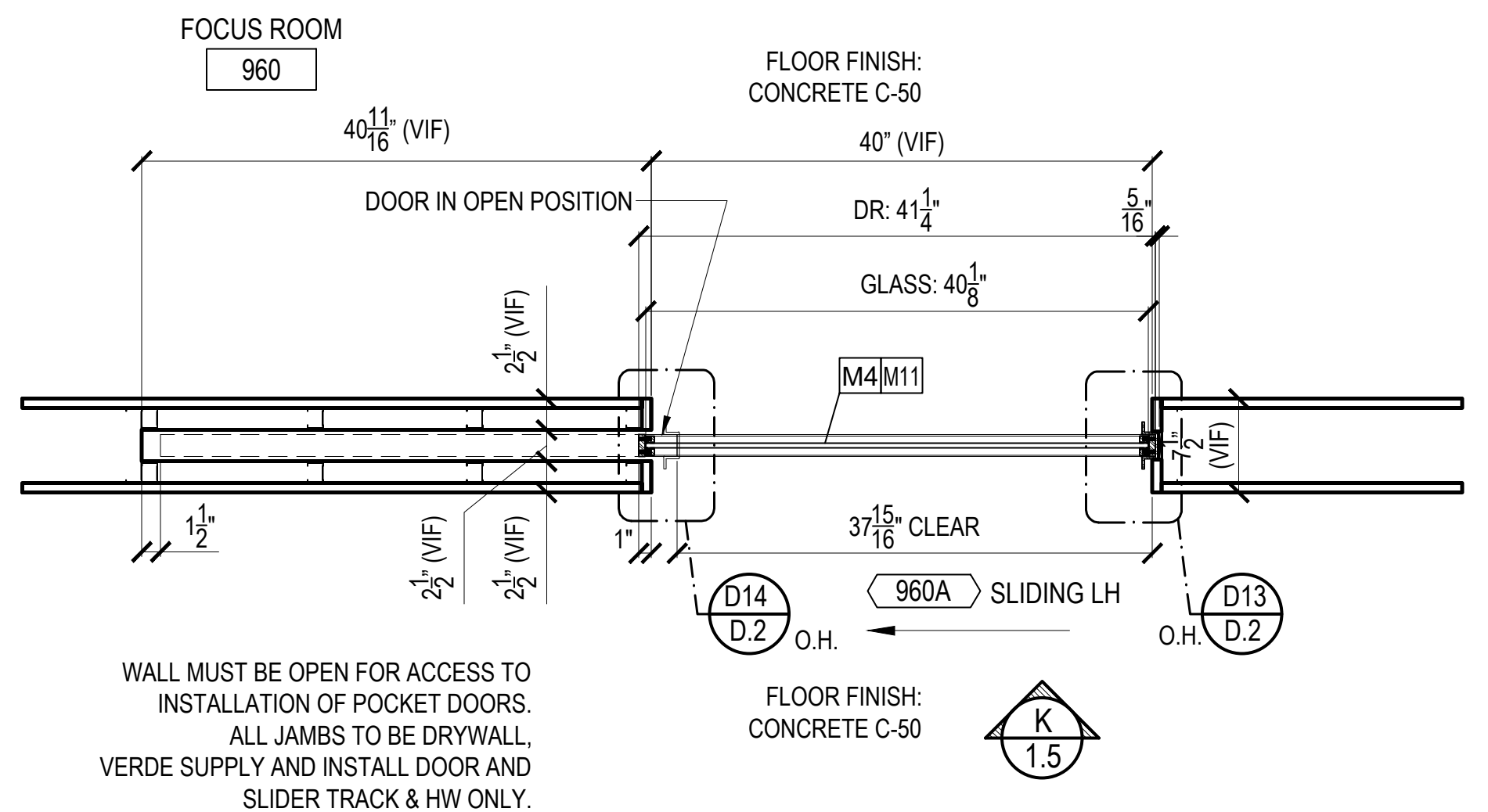
**ELEVATION**  
 SCALE: 1"=1'-0" REF: 4/A-205.00

M4- 3/8" GLASS USED TO LIGHTEN DOOR WEIGHT:  
 APPROX. 285 LBS TOTAL w/ FRAME



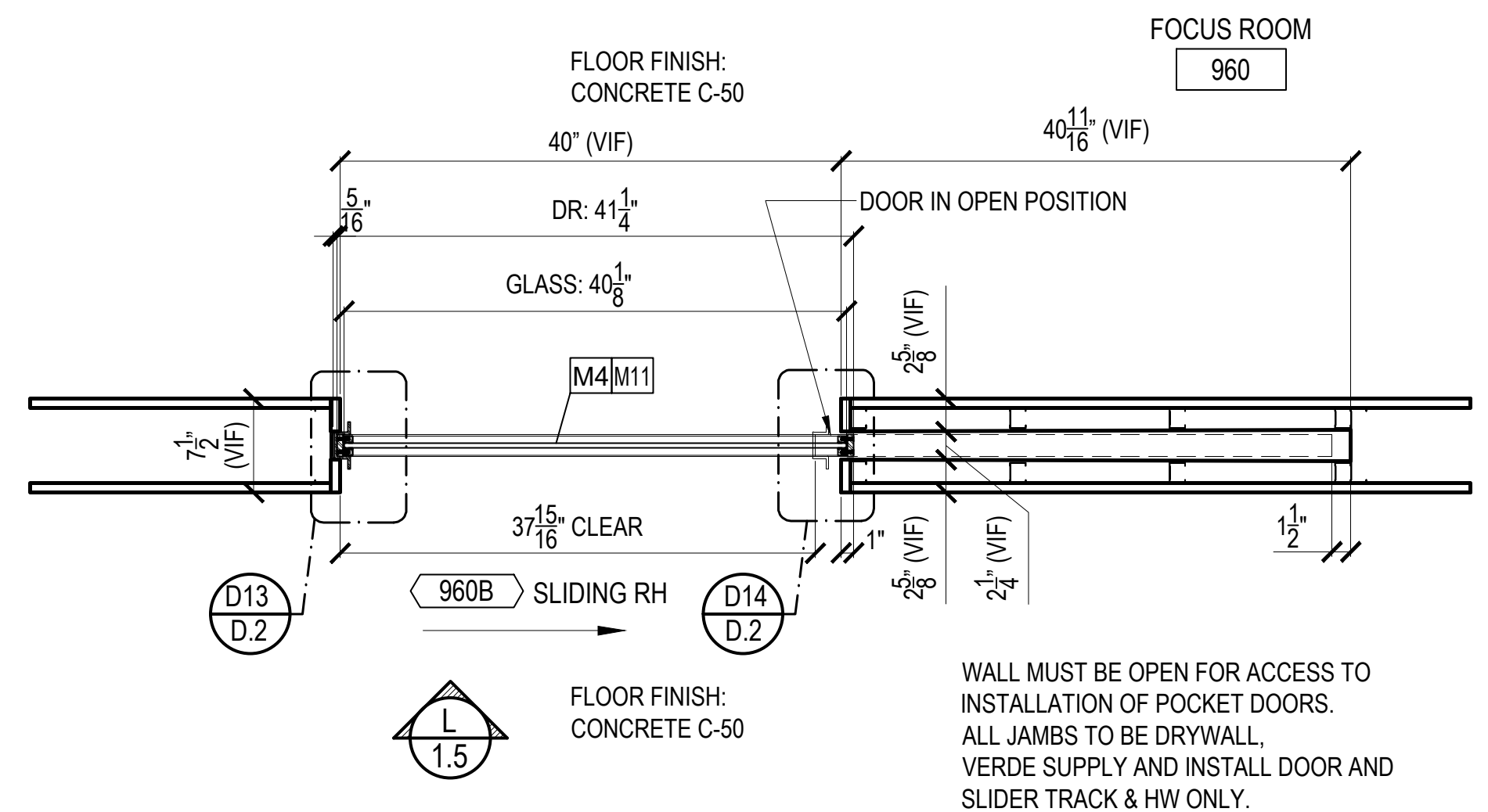
**ELEVATION**  
 SCALE: 1"=1'-0" REF: 4/A-205.00

M4- 3/8" GLASS USED TO LIGHTEN DOOR WEIGHT:  
 APPROX. 285 LBS TOTAL w/ FRAME



**6 HORZ. SECT.**  
 SCALE: 1"=1'-0" REF: N/A

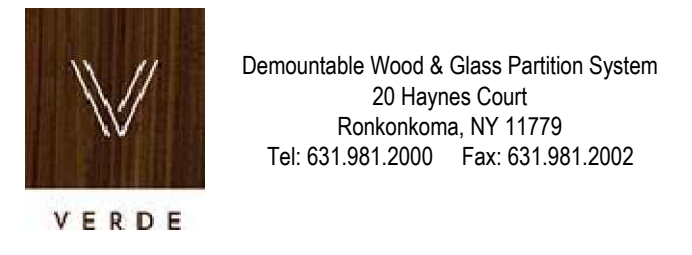
WALL MUST BE OPEN FOR ACCESS TO INSTALLATION OF POCKET DOORS.  
 ALL JAMBS TO BE DRYWALL, VERDE SUPPLY AND INSTALL DOOR AND SLIDER TRACK & HW ONLY.



**7 HORZ. SECT.**  
 SCALE: 1"=1'-0" REF: N/A

WALL MUST BE OPEN FOR ACCESS TO INSTALLATION OF POCKET DOORS.  
 ALL JAMBS TO BE DRYWALL, VERDE SUPPLY AND INSTALL DOOR AND SLIDER TRACK & HW ONLY.

<input type="checkbox"/> LEED	<input type="checkbox"/> FSC	<input type="checkbox"/> NAUF	<input type="checkbox"/> FIRE RATED
MATERIAL DESCRIPTIONS:			
FINISH / WOOD SPECIES:			
F1	Blackened Acid Dip Finish	Per Approved Sample	
F2	Black		
-	-	-	-
-	-	-	-
-	-	-	-
CORES / SUBSTRATES:			
C10A	1/8" HDF		
C12G	1 1/16" PARTICLEBOARD		
C12E	1/2" PARTICLEBOARD		
C12H	3/4" PARTICLEBOARD		
C12J	1" PARTICLEBOARD		
C19E	1/2" PLYWOOD		
-	-	-	-
-	-	-	-
-	-	-	-
-	-	-	-
SOLID HARDWOOD:			
-	-	-	-
-	-	-	-
-	-	-	-
DOOR SLAB ASSEMBLY:			
DS1	Metal Framed 1-3/4" Door with 1/2" Glass Light		
DS2	Metal Framed 1-3/4" Sliding Door with 3/8" Glass Light		
DS3	Metal Framed 2" Sliding Door with 3/8" Glass Light		
-	-	-	-
-	-	-	-
OTHER MATERIAL (GLASS, STONE, METAL):			
M1	1/16" x 3/8" Black Foam Tape		
M2	1/2" Clear Tempered Glass (Polished edges, & VHB Tape)		
M3	20 Gauge Aluminum Panel Insert		
M4	3/8" Clear Tempered Glass (Polished edges, & VHB Tape)		
M9	1/32" x 1/2" 3M Clear VHB Tape		
M10	1/4" Wide 3M Clear VHB Tape, 40mil Thick		
M11	3M Dusted Crystal Film		
M12	Rubber Glazing Gasket- Black		
M13	1-1/4" x 3" Aluminum Tube Extrusion		
M14	1/2" x 1/2" x 1/8" Aluminum Angle		
M15	3/4" x 3/4" x 1/8" Aluminum Angle		
M19	3"x 3" x 1/8" Aluminum Sq. Tube		
M20	1/16" x 1/4" Clear VHB Tape		
M21	1" x 1/2" 1" Metal Bar		
M22	1" x 3/4" 1" Metal Bar		
M23	1-3/4" x 6" Aluminum Tube Extrusion		
-	-	-	-
-	-	-	-
-	-	-	-
HARDWARE:		FINISH:	QTY:
HS	See Door Hardware Schedule	-	-
-	-	-	-
-	-	-	-
-	-	-	-
-	-	-	-
-	-	-	-
-	-	-	-
-	-	-	-
-	-	-	-
-	-	-	-
-	-	-	-
BY OTHERS / EXCLUSIONS:			
E1	Slab	-	-
E2	Finished Floor	-	-
E3	Finished Wall	-	-
E4	Finished Ceiling	-	-
-	-	-	-
-	-	-	-
-	-	-	-
-	-	-	-
-	-	-	-
-	-	-	-
-	-	-	-
DATE:	ISSUED FOR:	BY:	
6.21.19	Submittal	PD	
-	-	-	
-	-	-	
-	-	-	
-	-	-	
-	-	-	



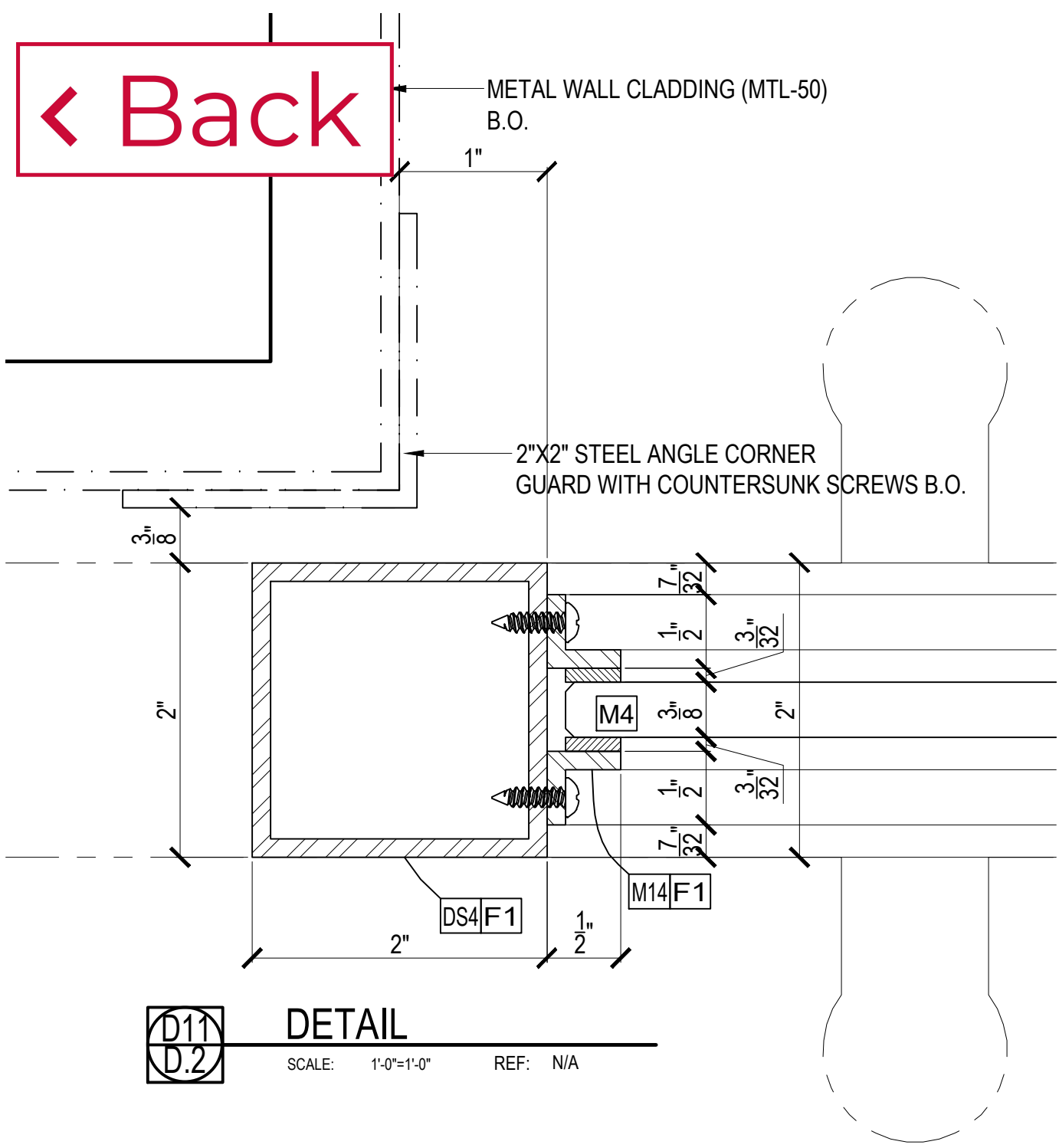
ARCHITECT:	CONTRACTOR:		
Ampersand Architecture 648 Broadway, Suite 912 New York, NY 10012 t: 212.777.1276	-	-	-
PROJECT:	OXO 601 West 26th Street New York, NY 10001 9th Floor		
DRAWING TITLE:	VERDE IndustrialSystem		
DRAWN BY:	CHECKED BY:	SCALE:	DATE:
PD	-	AS NOTED	6.21.19
JOB NUMBER:	ITEM NUMBER:		
VJ19072C	1		
JOB Barcode:	DRAWING NO.		
	1.5		

	METAL		MDF		PARTICLE BOARD
--	-------	--	-----	--	----------------

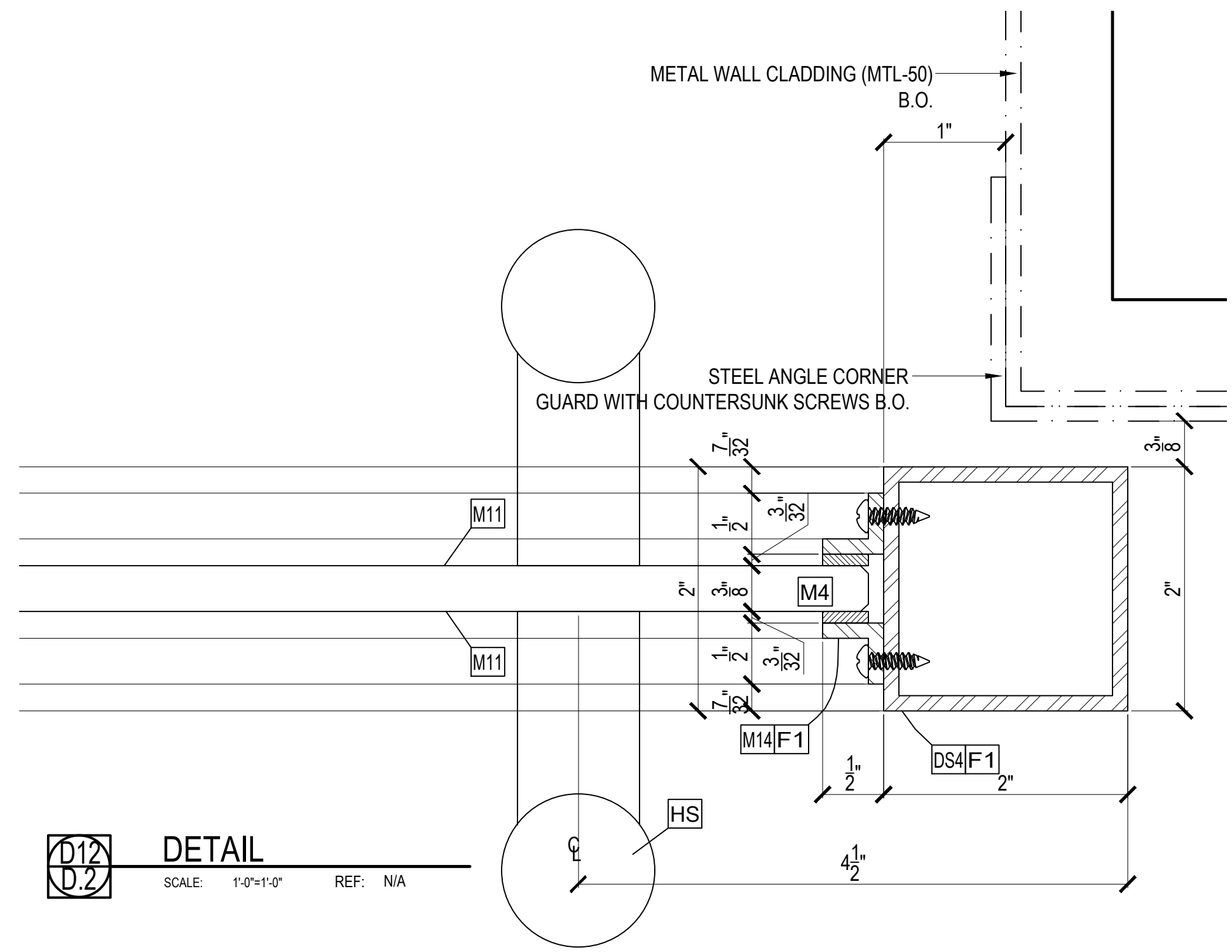




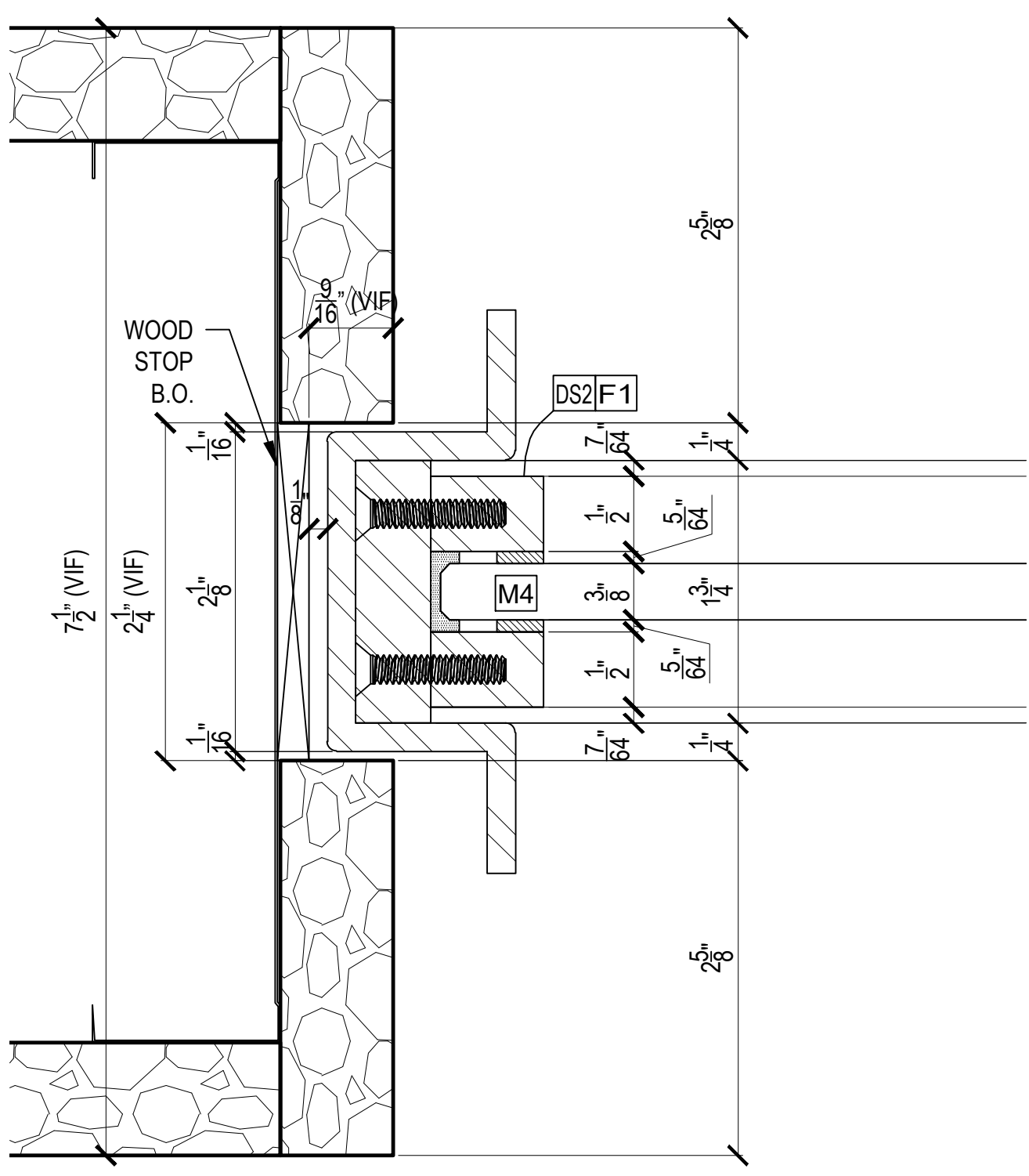
[← Back](#)



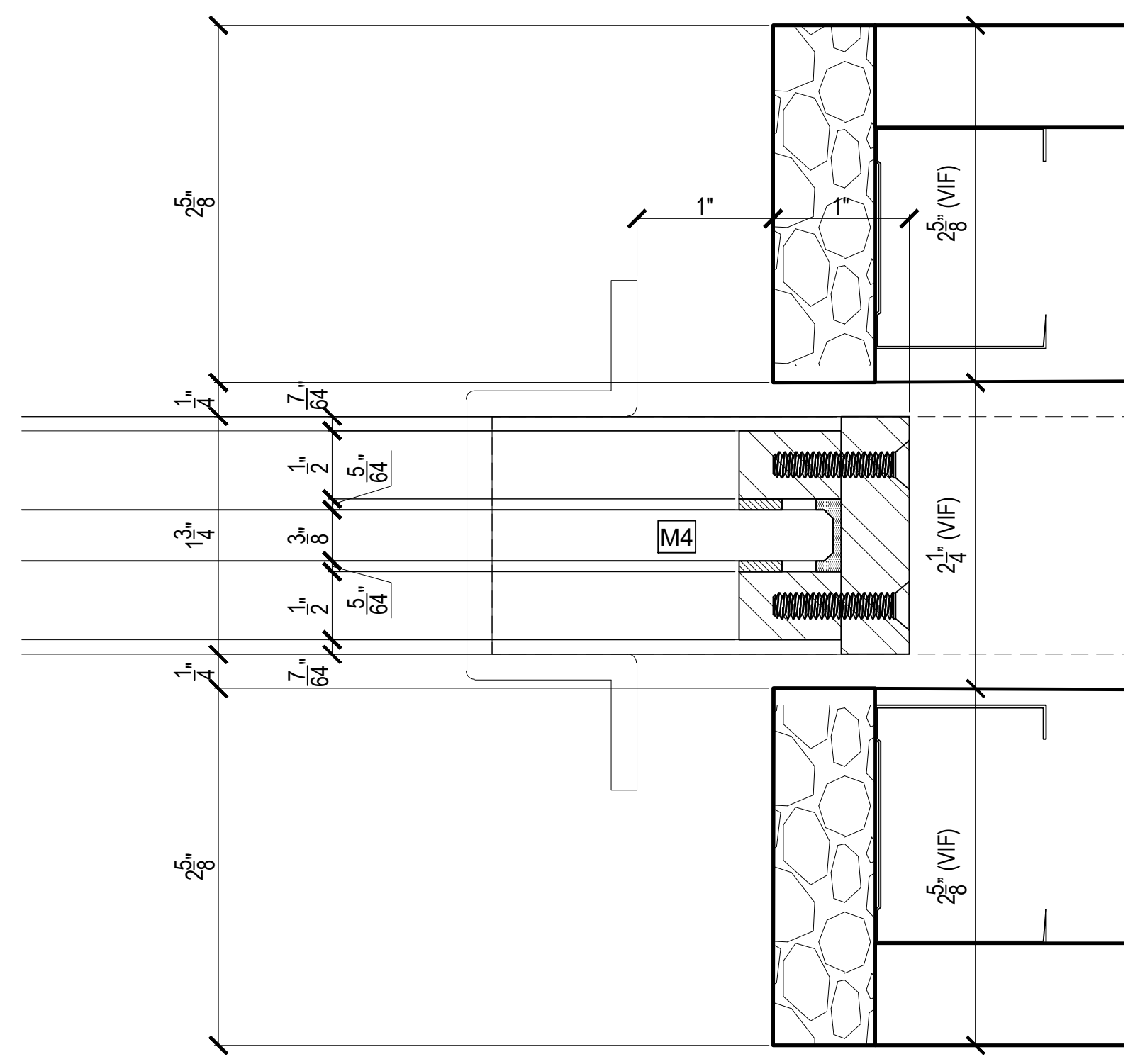
**D11**  
**D.2**  
SCALE: 1'-0"=1'-0" REF: N/A



**D12**  
**D.2**  
SCALE: 1'-0"=1'-0" REF: N/A



**D13**  
**D.2**  
SCALE: 1'-0"=1'-0" REF: N/A



**D14**  
**D.2**  
SCALE: 1'-0"=1'-0" REF: N/A

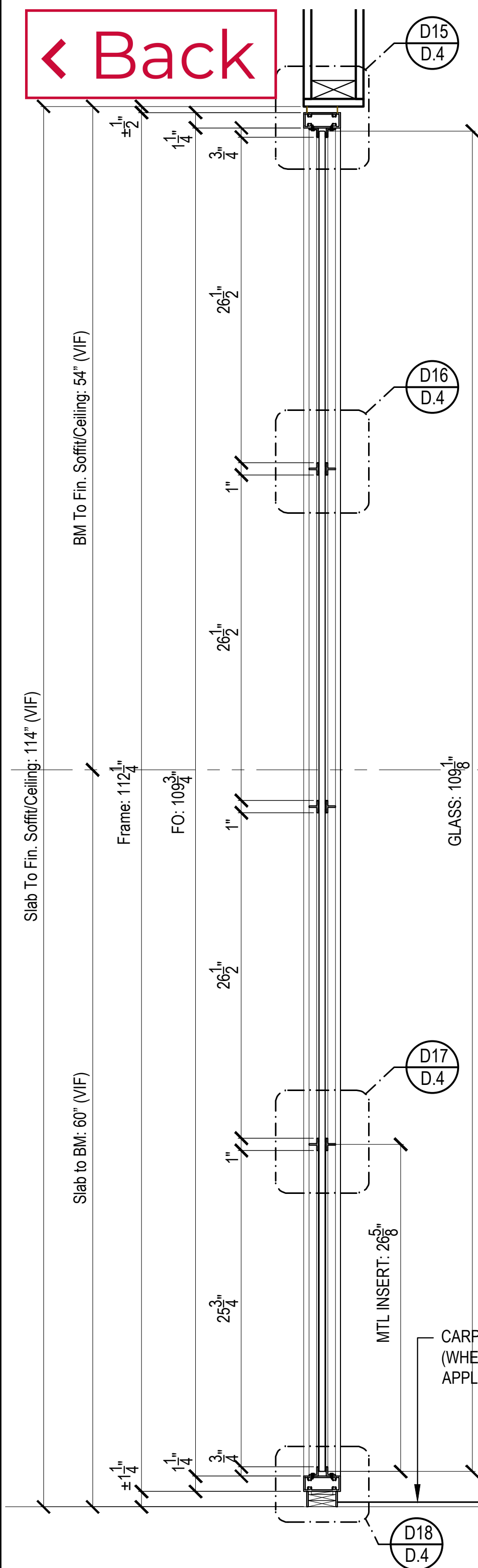
<input type="checkbox"/> LEED	<input type="checkbox"/> FSC	<input type="checkbox"/> NAUF	<input type="checkbox"/> FIRE RATED
MATERIAL DESCRIPTIONS:			
FINISH / WOOD SPECIES:			
F1	Blackened Acid Dip Finish	Per Approved Sample	
F2	Black		
F3			
F4			
F5			
CORES / SUBSTRATES:			
C10A	1/8" HDF		
C12G	1 1/16" PARTICLEBOARD		
C12E	1/2" PARTICLEBOARD		
C12H	3/4" PARTICLEBOARD		
C12J	1" PARTICLEBOARD		
C19E	1/2" PLYWOOD		
C19F			
C19G			
C19H			
C19I			
C19J			
C19K			
C19L			
C19M			
C19N			
C19O			
C19P			
C19Q			
C19R			
C19S			
C19T			
C19U			
C19V			
C19W			
C19X			
C19Y			
C19Z			
SOLID HARDWOOD:			
H1			
H2			
H3			
H4			
H5			
H6			
H7			
H8			
H9			
H10			
H11			
H12			
H13			
H14			
H15			
H16			
H17			
H18			
H19			
H20			
H21			
H22			
H23			
H24			
H25			
H26			
H27			
H28			
H29			
H30			
DOOR SLAB ASSEMBLY:			
DS1	Metal Framed 1-3/4" Door with 1/2" Glass Light		
DS2	Metal Framed 1-3/4" Sliding Door with 3/8" Glass Light		
DS3	Metal Framed 2" Sliding Door with 3/8" Glass Light		
DS4			
DS5			
DS6			
DS7			
DS8			
DS9			
DS10			
OTHER MATERIAL (GLASS, STONE, METAL):			
M1	1/16" x 3/8" Black Foam Tape		
M2	1/2" Clear Tempered Glass (Polished edges, & VHB Tape)		
M3	20 Gauge Aluminum Panel Insert		
M4	3/8" Clear Tempered Glass (Polished edges, & VHB Tape)		
M9	1/32" x 1/2" 3M Clear VHB Tape		
M10	1/4" Wide 3M Clear VHB Tape, 40mil Thick		
M11	3M Dusted Crystal Film		
M12	Rubber Glazing Gasket- Black		
M13	1-1/4" x 3" Aluminum Tube Extrusion		
M14	1/2" x 1/2" x 1/8" Aluminum Angle		
M15	3/4" x 3/4" x 1/8" Aluminum Angle		
M19	3" x 3" x 1/8" Aluminum Sq Tube		
M20	1/16" x 1/4" Clear VHB Tape		
M21	1" x 1/2" 1" Metal Bar		
M22	1" x 3/4" 1" Metal Bar		
M23	1-3/4" x 6" Aluminum Tube Extrusion		
M24			
M25			
M26			
M27			
M28			
M29			
M30			
HARDWARE:			
HS	See Door Hardware Schedule	FINISH:	QTY:
H1			
H2			
H3			
H4			
H5			
H6			
H7			
H8			
H9			
H10			
H11			
H12			
H13			
H14			
H15			
H16			
H17			
H18			
H19			
H20			
H21			
H22			
H23			
H24			
H25			
H26			
H27			
H28			
H29			
H30			
BY OTHERS / EXCLUSIONS:			
E1	Slab		
E2	Finished Floor		
E3	Finished Wall		
E4	Finished Ceiling		
E5			
E6			
E7			
E8			
E9			
E10			
E11			
E12			
E13			
E14			
E15			
E16			
E17			
E18			
E19			
E20			
E21			
E22			
E23			
E24			
E25			
E26			
E27			
E28			
E29			
E30			
E31			
E32			
E33			
E34			
E35			
E36			
E37			
E38			
E39			
E40			
E41			
E42			
E43			
E44			
E45			
E46			
E47			
E48			
E49			
E50			
E51			
E52			
E53			
E54			
E55			
E56			
E57			
E58			
E59			
E60			
E61			
E62			
E63			
E64			
E65			
E66			
E67			
E68			
E69			
E70			
E71			
E72			
E73			
E74			
E75			
E76			
E77			
E78			
E79			
E80			
E81			
E82			
E83			
E84			
E85			
E86			
E87			
E88			
E89			
E90			
E91			
E92			
E93			
E94			
E95			
E96			
E97			
E98			
E99			
E100			



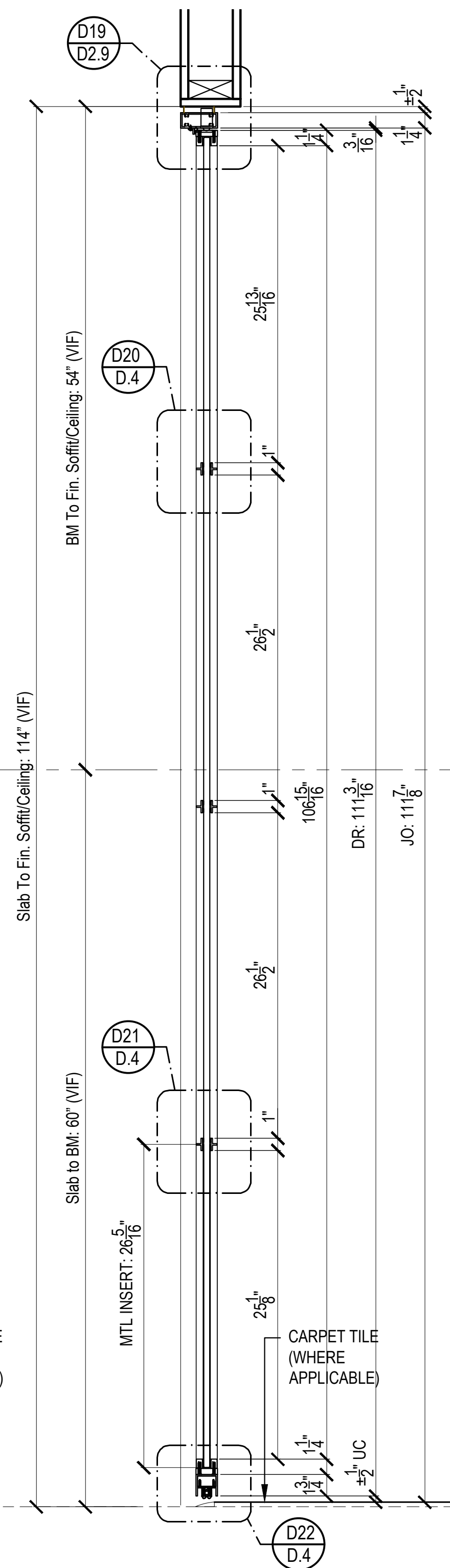
ARCHITECT: Ampersand Architecture 648 Broadway, Suite 912 New York, NY 10012 t: 212.777.1276	CONTRACTOR: -		
PROJECT: OXO 601 West 26th Street New York, NY 10001 9th Floor			
DRAWING TITLE: VERDE IndustrialSystem			
DRAWN BY: PD	CHECKED BY: -	SCALE: AS NOTED	DATE: 6.21.19
JOB NUMBER: VJ19072C	ITEM NUMBER: 1		
JOB Barcode:	DRAWING NO. D.2		

	METAL		MDF		PARTICLE BOARD
--	-------	--	-----	--	----------------

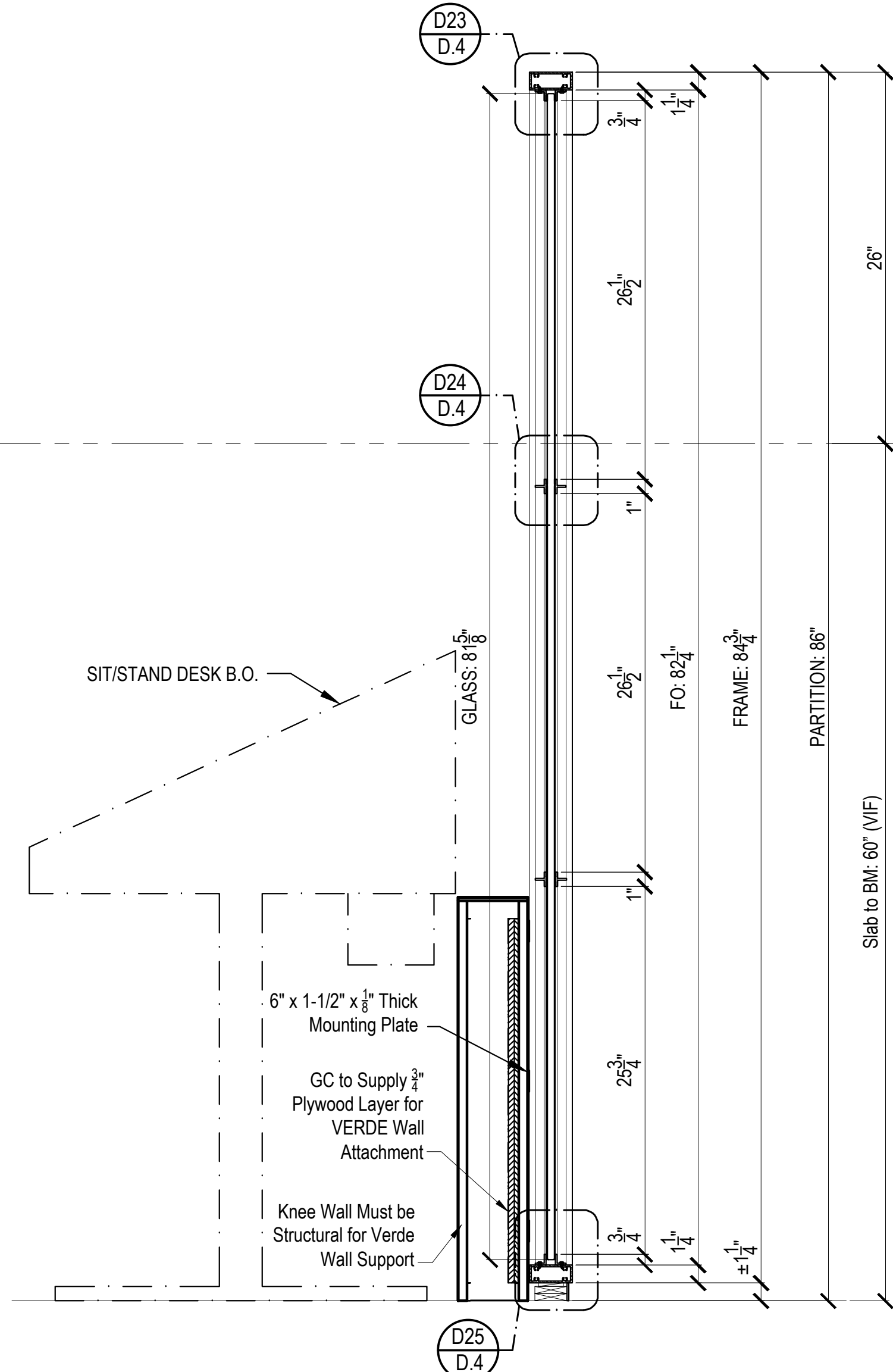
[← Back](#)



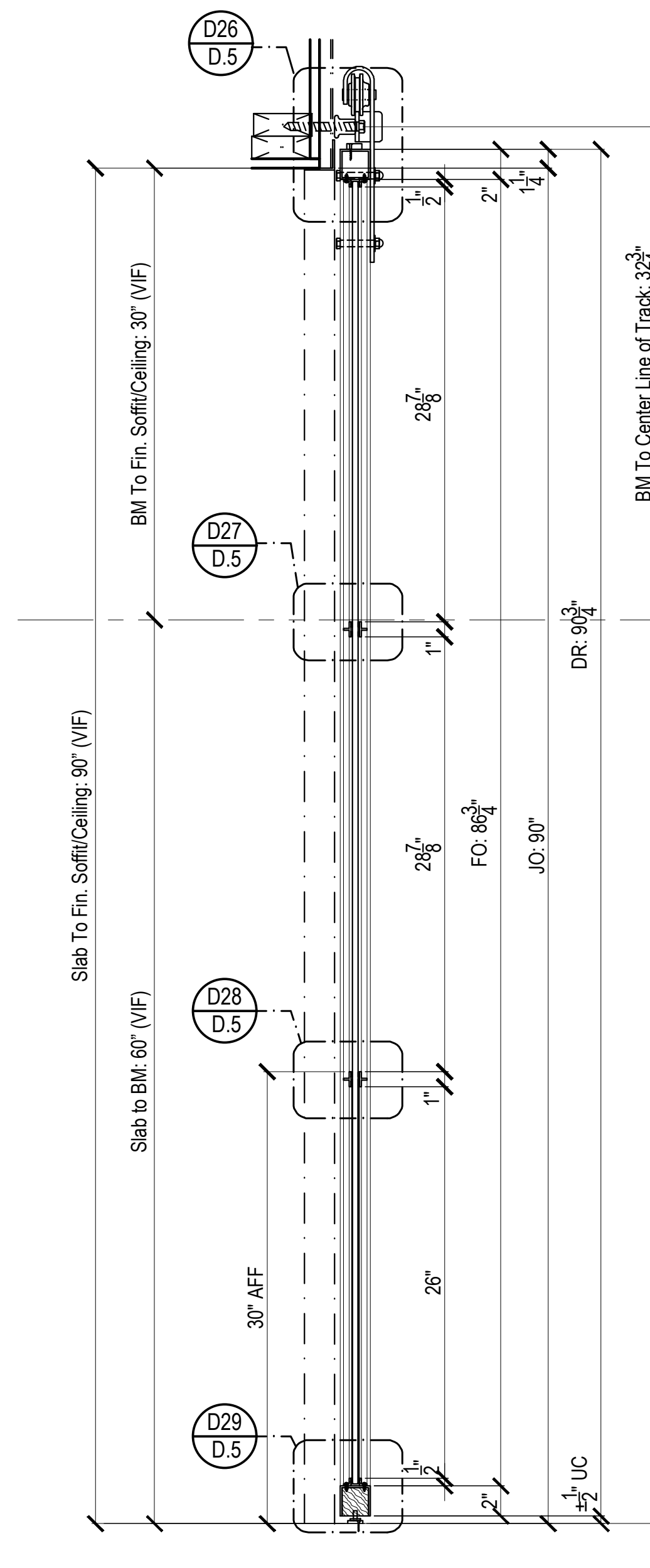
**8** VERT. SECT.  
 D.3 SCALE: 1-1/2"=1'-0" N/A



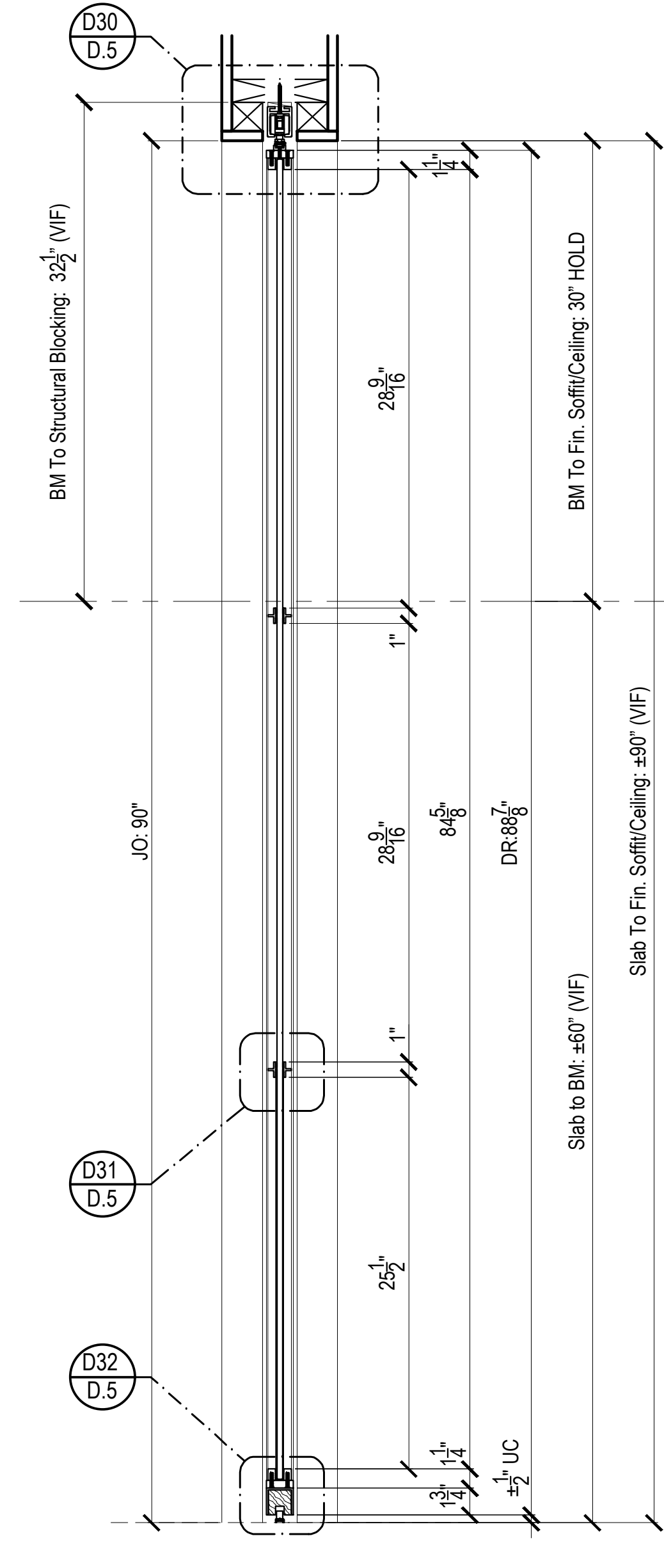
**9** VERT. SECT.  
 D.3 SCALE: 1-1/2"=1'-0" N/A



**10** VERT. SECT.  
 D.3 SCALE: 1-1/2"=1'-0" N/A



**11** VERT. SECT.  
 D.3 SCALE: 1-1/2"=1'-0" N/A



**12** VERT. SECT.  
 D.3 SCALE: 1-1/2"=1'-0" N/A

<input type="checkbox"/> LEED	<input type="checkbox"/> FSC	<input type="checkbox"/> NAUF	<input type="checkbox"/> FIRE RATED
MATERIAL DESCRIPTIONS:			
FINISH / WOOD SPECIES:			
F1	Blackened Acid Dip Finish	Per Approved Sample	
F2	Black		
CORES / SUBSTRATES:			
C10A	1/8" HDF		
C12G	1 1/16" PARTICLEBOARD		
C12E	1/2" PARTICLEBOARD		
C12H	3/4" PARTICLEBOARD		
C12J	1" PARTICLEBOARD		
C19E	1/2" PLYWOOD		
SOLID HARDWOOD:			
DOOR SLAB ASSEMBLY:			
DS1	Metal Framed 1-3/4" Door with 1/2" Glass Light		
DS2	Metal Framed 1-3/4" Sliding Door with 3/8" Glass Light		
DS3	Metal Framed 2" Sliding Door with 3/8" Glass Light		
OTHER MATERIAL (GLASS, STONE, METAL):			
M1	1/16" x 3/8" Black Foam Tape		
M2	1/2" Clear Tempered Glass (Polished edges, & VHB Tape)		
M3	20 Gauge Aluminum Panel Insert		
M4	3/8" Clear Tempered Glass (Polished edges, & VHB Tape)		
M9	1/32" x 1/2" 3M Clear VHB Tape		
M10	1/4" Wide 3M Clear VHB Tape, 40mil Thick		
M11	3M Dusted Crystal Film		
M12	Rubber Glazing Gasket- Black		
M13	1-1/4" x 3" Aluminum Tube Extrusion		
M14	1/2" x 1/2" x 1/8" Aluminum Angle		
M15	3/4" x 3/4" x 1/8" Aluminum Angle		
M19	3" x 3" x 1/8" Aluminum Sq. Tube		
M20	1/16" x 1/4" Clear VHB Tape		
M21	1" x 1/2" "T" Metal Bar		
M22	1" x 3/4" "T" Metal Bar		
M23	1-3/4" x 6" Aluminum Tube Extrusion		
HARDWARE:			
HS	See Door Hardware Schedule	FINISH:	QTY:
BY OTHERS / EXCLUSIONS:			
E1	Slab		
E2	Finished Floor		
E3	Finished Wall		
E4	Finished Ceiling		
DATE:	ISSUED FOR:	BY:	
6.21.19	Submittal	PD	



ARCHITECT:	CONTRACTOR:		
Ampersand Architecture 648 Broadway, Suite 912 New York, NY 10012 t: 212.777.1276			
PROJECT:	OXO 601 West 26th Street New York, NY 10001 9th Floor		
DRAWING TITLE:	VERDE IndustrialSystem		
DRAWN BY:	CHECKED BY:	SCALE:	DATE:
PD		AS NOTED	6.21.19
JOB NUMBER:	ITEM NUMBER:		
VJ19072C	1		
JOB Barcode:	DRAWING NO.:		
	D.3		

	METAL		MDF		PARTICLE BOARD
--	-------	--	-----	--	----------------



