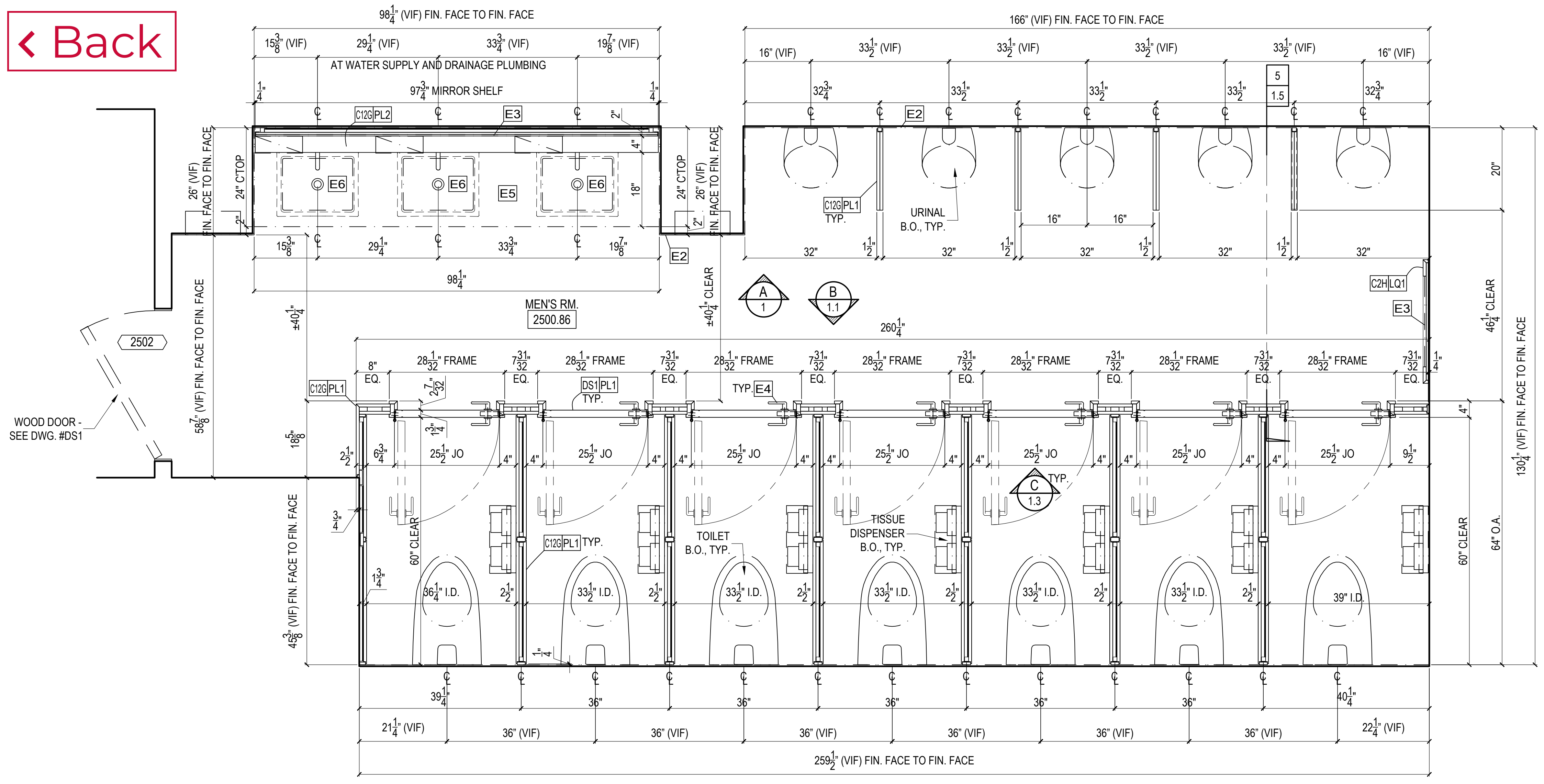


[← Back](#)

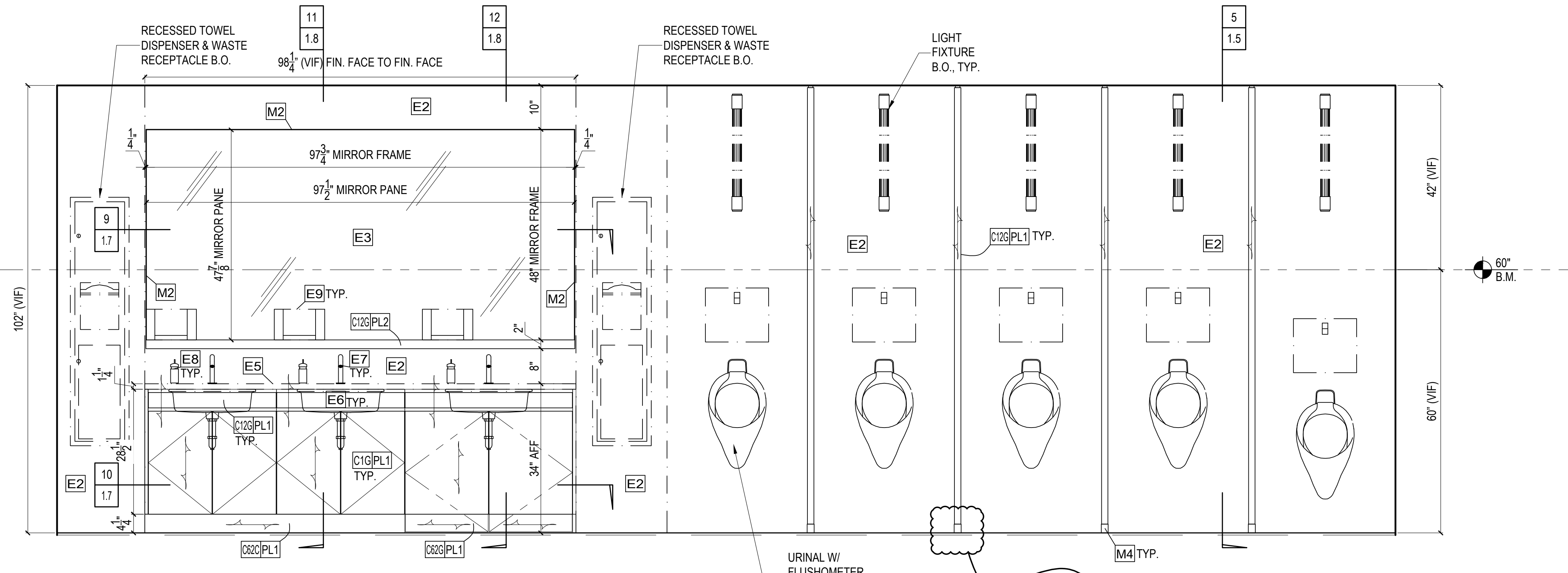


**1 PLAN**  
@ Men's Room #2500.86  
SCALE: 3/4"=1'-0" REF: 1/A-801.00

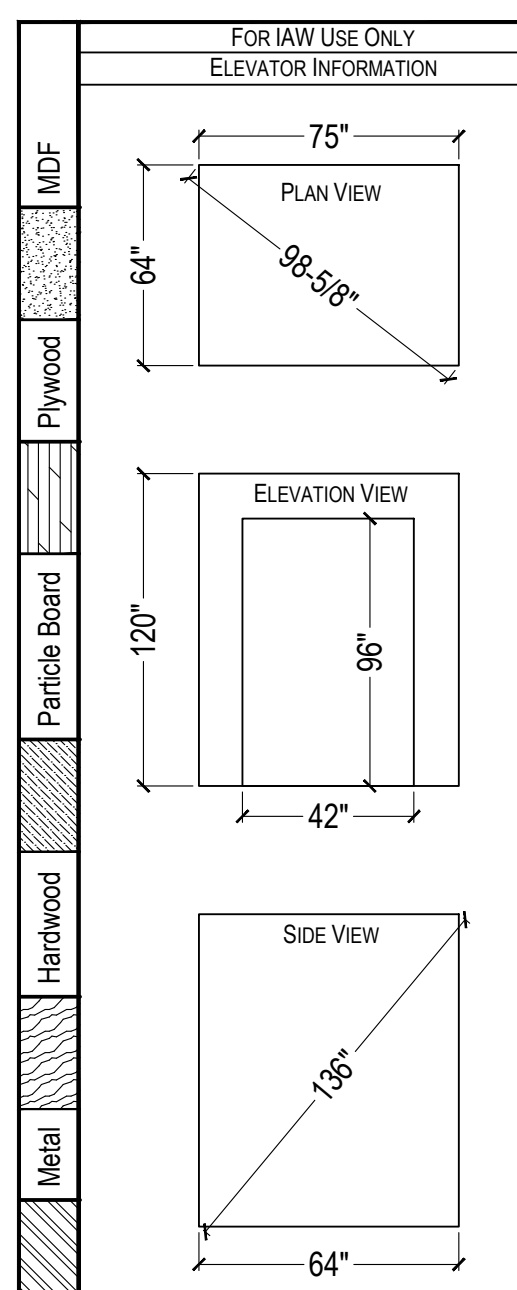
### EQUIPMENT LIST:

|           |  |
|-----------|--|
| <b>E6</b> | LAVATORY<br>MFR: KOHLER<br>MODEL# K-2882<br>FINISH: WHITE<br>D: 15 5/8" W: 19 13/16" H: 6 3/4"       |
| <b>E7</b> | FAUCET<br>MFR: TOTO<br>MODEL# TEL115-D10ET<br>FINISH: POLISHED CHROME<br>D: _____ W: _____ H: 6 3/4" |
| <b>E8</b> | BOTTLE SOAP DISPENSER<br>MFR: _____<br>MODEL# _____<br>FINISH: _____<br>D: _____ W: _____ H: _____   |
| <b>E9</b> | PAPER TOWEL DISPENSER<br>MFR: KANTEK<br>MODEL# AH190<br>FINISH: CLEAR<br>D: 4.1" W: 6.8" H: 11.5"    |

| <input type="checkbox"/> LEED              | <input type="checkbox"/> FSC  | <input type="checkbox"/> NAUF | <input type="checkbox"/> FIRE RATED |
|--|---|-------------------------------|-------------------------------------|
| MATERIAL DESCRIPTIONS:                     |   |                               |                                     |
| FINISH / WOOD SPECIES:                     |   |                               |                                     |
| LQ1  | SW 6790 - ADRIATIC SEA, FINISH OFF THE GUN HIGH GLOSS   |                               |                                     |
| PLASTIC LAMINATE:                          |   |                               |                                     |
| PL1  | FORMICA 728-58 GINGER ROOT MAPLE, MATTE   |                               |                                     |
| PL2  | FORMICA (TBD)   |                               |                                     |
| CORES / SUBSTRATES:                        |   |                               |                                     |
| C12G                                       | 1 1/16" PARTICLEBOARD   |                               |                                     |
| C1G  | 1 1/16" MDF   |                               |                                     |
| C1C  | 1/4" MDF  |                               |                                     |
| C36H                                       | 3/4" WHITE MELAMINE 2 Sided   |                               |                                     |
| C39E                                       | 1/2" WHITE MELAMINE 1 sided   |                               |                                     |
| C2H  | 3/4" MDF UV   |                               |                                     |
| C62C                                       | 1/4" MADEX  |                               |                                     |
| C62G                                       | 1 1/16" MADEX   |                               |                                     |
| SOLID HARDWOOD:                            |   |                               |                                     |
| S1   | Solid Poplar  |                               |                                     |
| DOOR SLAB ASSEMBLY:                        |   |                               |                                     |
| DS1  | (PL1) On 1-3/4" SC Door (1-1/16" PB Core, 2.3mm HDF Skin, Timberstrand & Solid WD Edge To Match Veneer) |                               |                                     |
| OTHER MATERIAL (PVC, GLASS, STONE, METAL): |   |                               |                                     |
| M1   | Z-Clip, 3/8" Lift Off   |                               |                                     |
| M2   | Metal Angle Trim  |                               |                                     |
| M3   | Metal Angle   |                               |                                     |
| M4   | Stainless Steel Shoe Plate  |                               |                                     |
| M5   | Alum. Angle   |                               |                                     |
| HARDWARE:                                  |   |                               |                                     |
| H1   | Salice #C2R8A99 (120") S/C Hinge  | FINISH:                       | QTY:                                |
| H2   | Salice #C2R8A99 (94") S/C Hinge   | -                             | -                                   |
| H3   | Salice #BARGR09 (0mm) Hinge Plate   | -                             | -                                   |
| H4   | Coat Hook - Bobrick B-6777  | -                             | -                                   |
| BY OTHERS / EXCLUSIONS:                    |   |                               |                                     |
| E1   | Slab, Floor, Wall, Ceiling  | E6                            | Lavatory                            |
| E2   | Wall Ceramic Tiles  | E7                            | Faucet                              |
| E3   | 3/8" Thk. Safety Mirror Glass   | E8                            | Soap Dispenser                      |
| E4   | Door Hardware   | E9                            | Paper Towel Dispenser               |
| E5   | 1-1/4" Thk. Stone (SS-1)  | E10                           | Light Fixture                       |



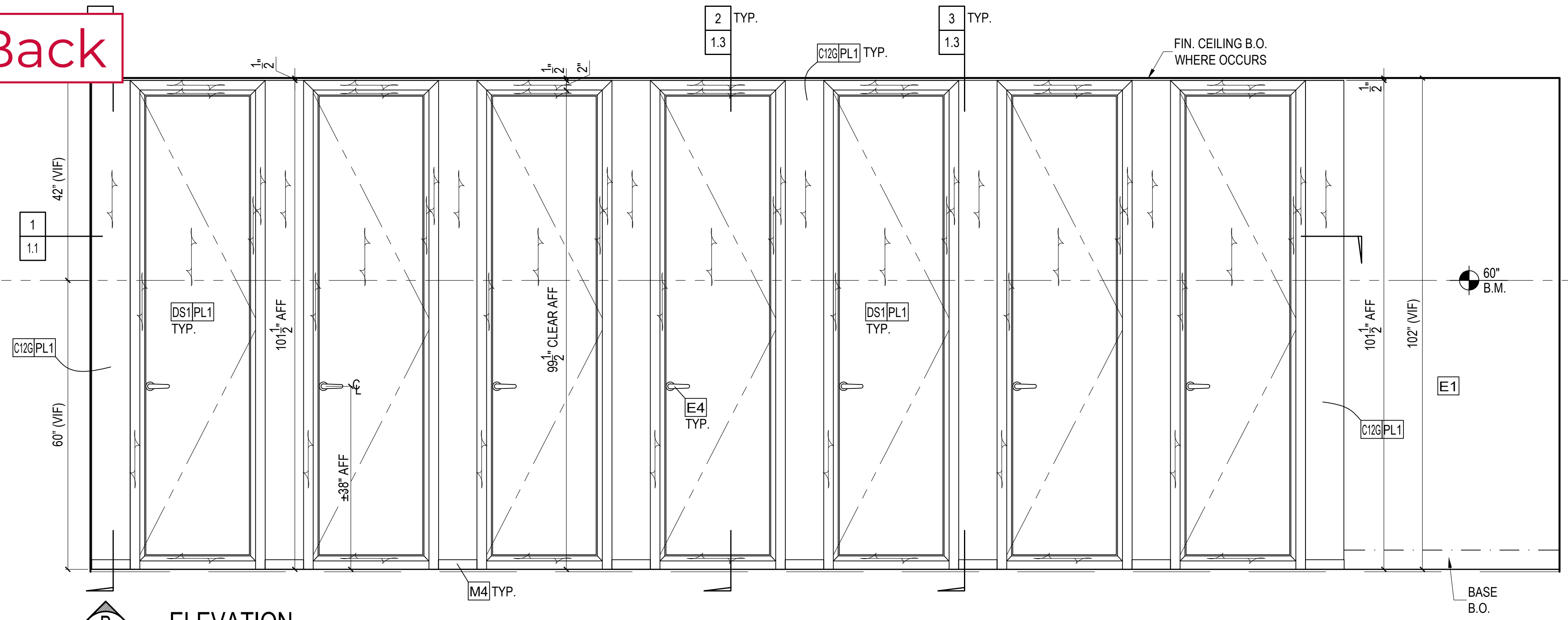
**A ELEVATION**  
@ Men's Room #2500.86  
SCALE: 3/4"=1'-0" REF: 4/A-801.00



DATE: 7.9.19 ISSUED FOR: Approval BY: PD

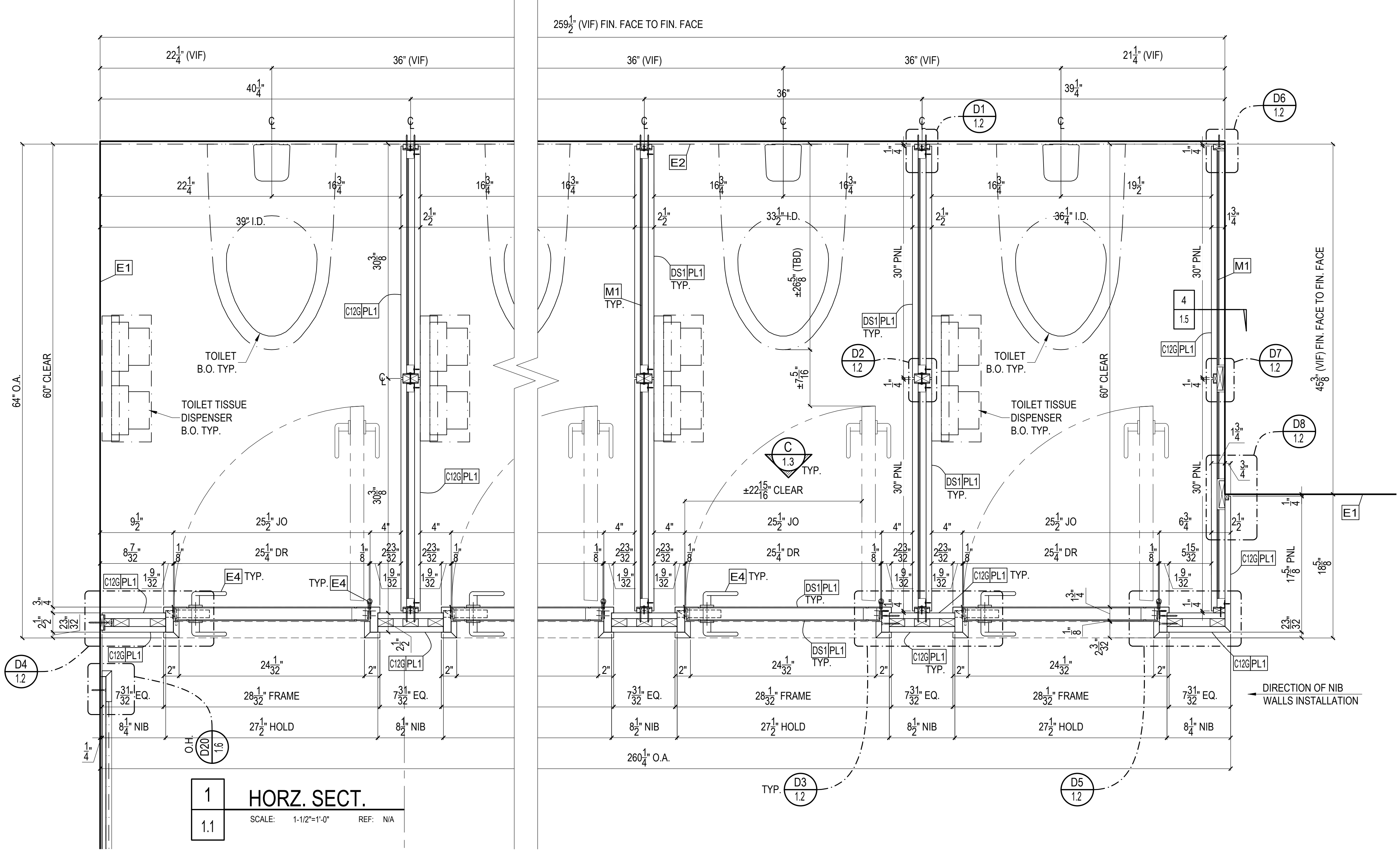
|              |               |
|--------------|---------------|
| ITEM NUMBER: | 1             |
| JOB NUMBER:  | DRAWING NO. 1 |

[← Back](#)



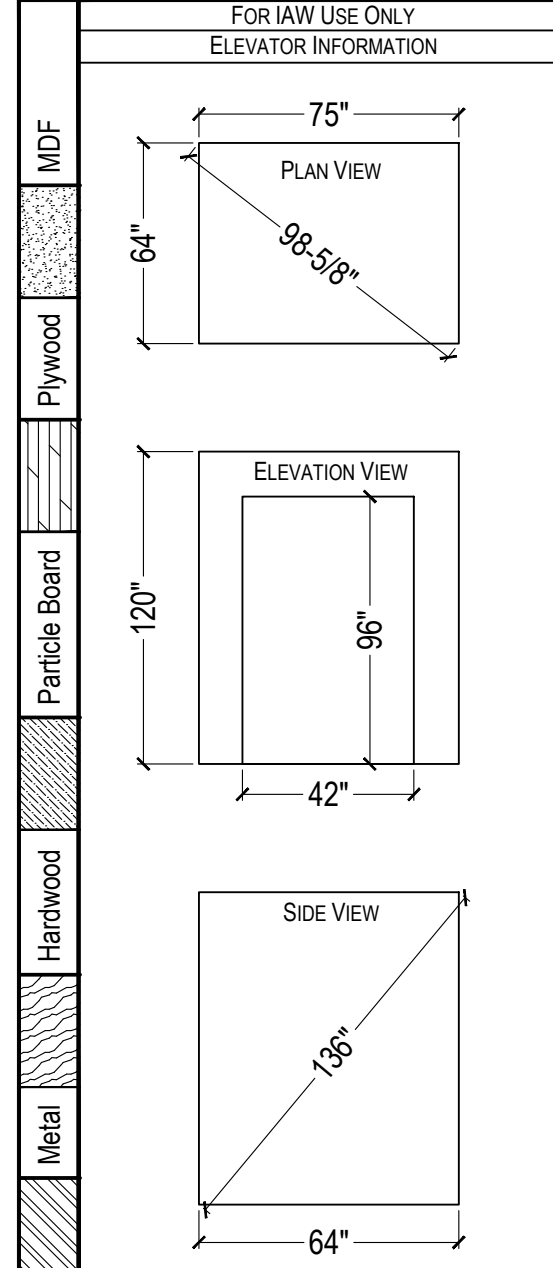
**ELEVATION** @ Men's Room #2500.86  
 SCALE: 3/4"=1'-0" REF: 2/A-801.00

ARCHITECT PLEASE VERIFY ALL WOOD GRAIN DIRECTIONS.



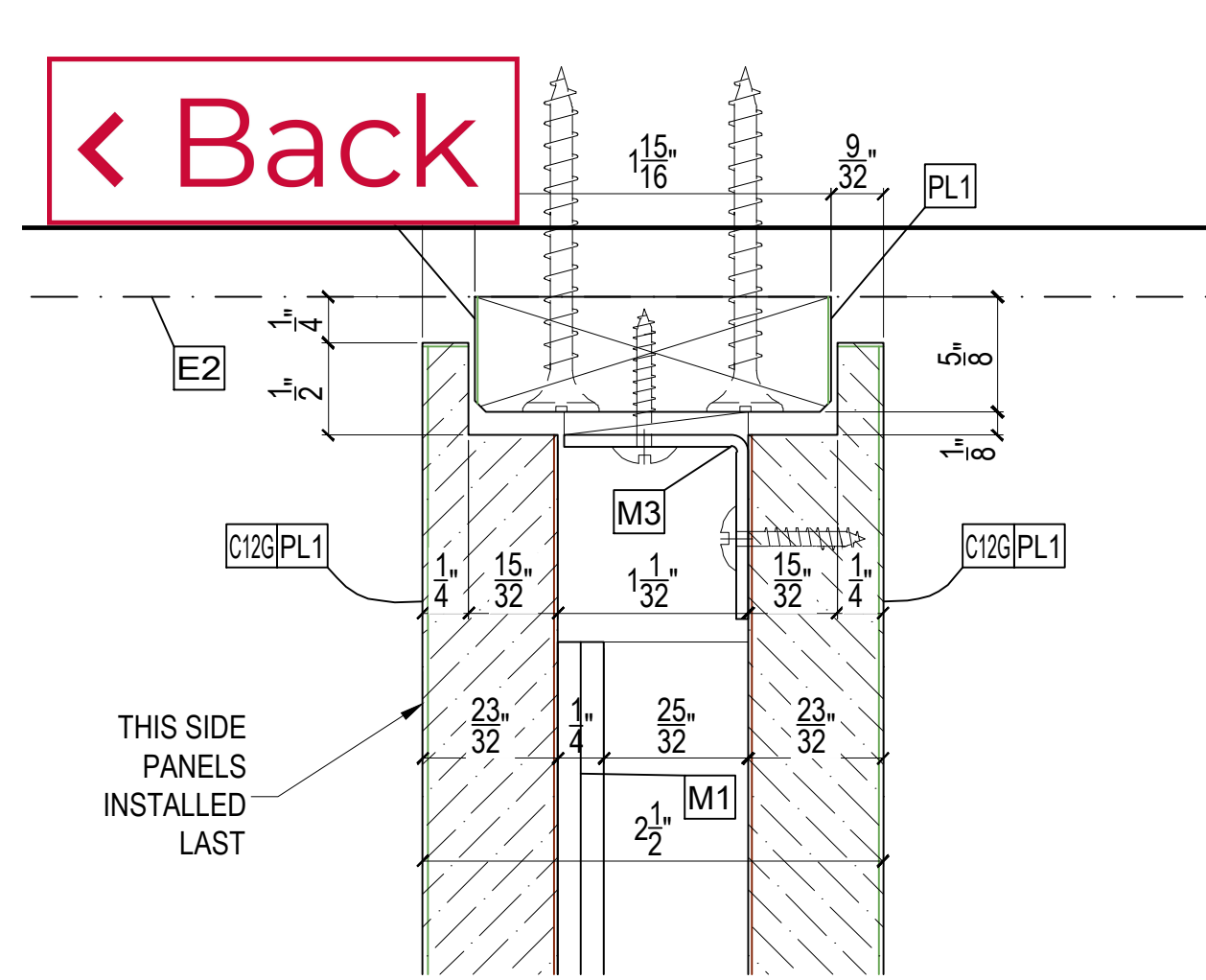
**HORZ. SECT.**  
 SCALE: 1-1/2"=1'-0" REF: NA

| <input type="checkbox"/> LEED              | <input type="checkbox"/> FSC   | <input type="checkbox"/> NAUF | <input type="checkbox"/> FIRE RATED |
|--|--|-------------------------------|-------------------------------------|
| MATERIAL DESCRIPTIONS:                     |  |                               |                                     |
| FINISH / WOOD SPECIES:                     |  |                               |                                     |
| LQ1  | SW 6790 - ADRIATIC SEA, FINISH OFF THE GUN HIGH GLOSS  | -                             | -                                   |
| -  | -  | -                             | -                                   |
| -  | -  | -                             | -                                   |
| -  | -  | -                             | -                                   |
| PLASTIC LAMINATE:                          |  |                               |                                     |
| PL1  | FORMICA 7288-58 GINGER ROOT MAPLE, MATTE   | -                             | -                                   |
| PL2  | FORMICA (TBD)  | -                             | -                                   |
| -  | -  | -                             | -                                   |
| CORES / SUBSTRATES:                        |  |                               |                                     |
| C12G                                       | 11/16" PARTICLEBOARD   | -                             | -                                   |
| C1G  | 11/16" MDF   | -                             | -                                   |
| C1C  | 1/4" MDF   | -                             | -                                   |
| C36H                                       | 3/4" WHITE MELAMINE 2 Sided  | -                             | -                                   |
| C39E                                       | 1/2" WHITE MELAMINE 1 sided  | -                             | -                                   |
| C2H  | 3/4" MDF UV  | -                             | -                                   |
| C62C                                       | 1/4" MADEX   | -                             | -                                   |
| C62G                                       | 11/16" MADEX   | -                             | -                                   |
| -  | -  | -                             | -                                   |
| -  | -  | -                             | -                                   |
| SOLID HARDWOOD:                            |  |                               |                                     |
| S1   | Solid Poplar   | -                             | -                                   |
| -  | -  | -                             | -                                   |
| -  | -  | -                             | -                                   |
| -  | -  | -                             | -                                   |
| DOOR SLAB ASSEMBLY:                        |  |                               |                                     |
| DS1  | (PL1) On 1-3/4" SC Door (1-11/16" PB Core, 2.3mm HDF Skin, Timberstrand & Solid WD Edge To Match Veneer) | -                             | -                                   |
| -  | -  | -                             | -                                   |
| -  | -  | -                             | -                                   |
| OTHER MATERIAL (PVC, GLASS, STONE, METAL): |  |                               |                                     |
| M1   | Z-Clip, 3/8" Lift Off  | -                             | -                                   |
| M2   | Metal Angle Trim   | -                             | -                                   |
| M3   | Metal Angle  | -                             | -                                   |
| M4   | Stainless Steel Shoe Plate   | -                             | -                                   |
| M5   | Alum. Angle  | -                             | -                                   |
| -  | -  | -                             | -                                   |
| HARDWARE:                                  |  |                               |                                     |
| H1   | Salice #C2R8A99 (120") S/C Hinge   | FINISH:                       | QTY:                                |
| H2   | Salice #C2R8A99 (94") S/C Hinge  | -                             | -                                   |
| H3   | Salice #BARGR09 (Omm) Hinge Plate  | -                             | -                                   |
| H4   | Coat Hook - Bobrick B-6777   | -                             | -                                   |
| -  | -  | -                             | -                                   |
| -  | -  | -                             | -                                   |
| -  | -  | -                             | -                                   |
| -  | -  | -                             | -                                   |
| -  | -  | -                             | -                                   |
| -  | -  | -                             | -                                   |
| -  | -  | -                             | -                                   |
| BY OTHERS / EXCLUSIONS:                    |  |                               |                                     |
| E1   | Slab, Floor, Wall, Ceiling   | E6                            | Lavatory                            |
| E2   | Wall Ceramic Tiles   | E7                            | Faucet                              |
| E3   | 3/8" Thk. Safety Mirror Glass  | E8                            | Soap Dispenser                      |
| E4   | Door Hardware  | E9                            | Paper Towel Dispenser               |
| E5   | 1-1/4" Thk. Stone (SS-1)   | E10                           | Light Fixture                       |
| STAMP:                                     |  |                               |                                     |
| DATE:                                      | ISSUED FOR:  | BY:                           |                                     |
| 7.9.19                                     | Approval   | PD                            |                                     |
| -  | -  | -                             | -                                   |
| -  | -  | -                             | -                                   |
| -  | -  | -                             | -                                   |

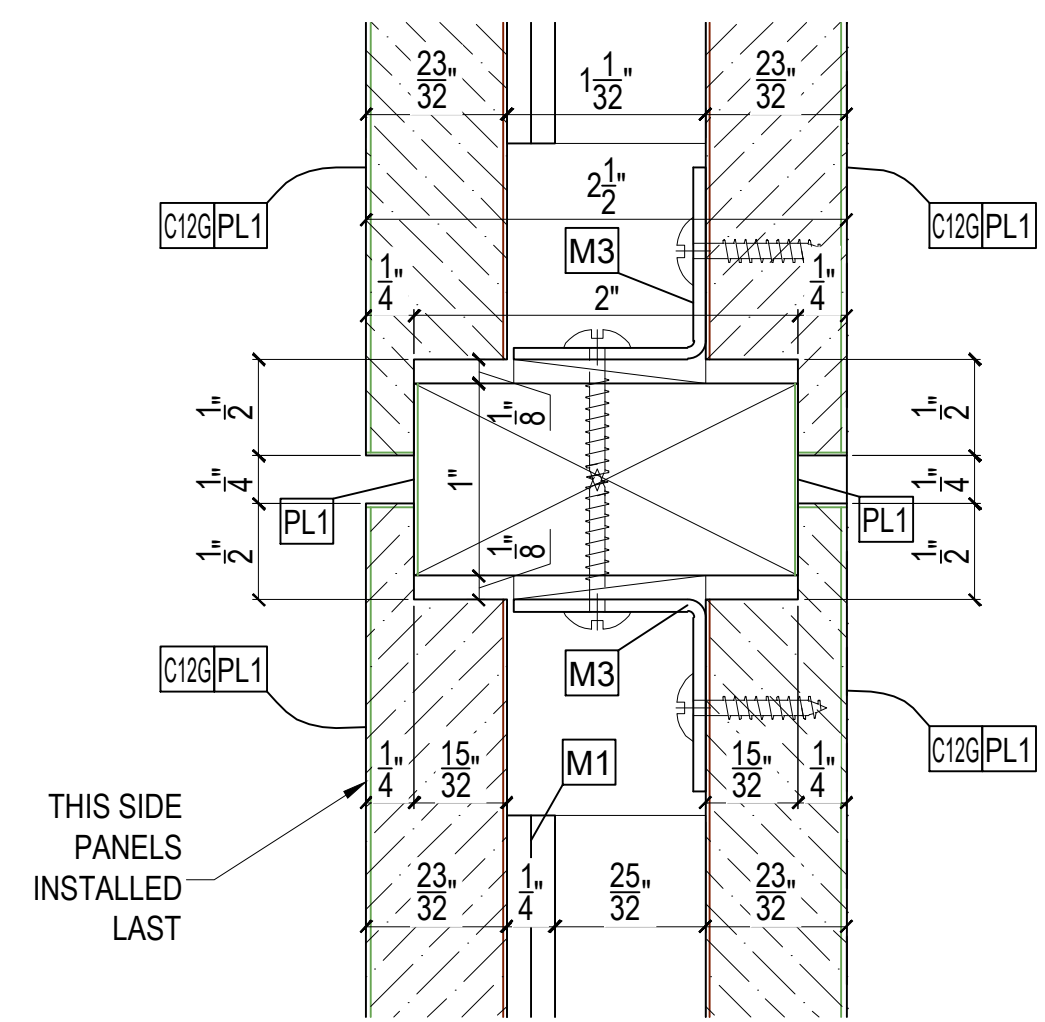


|  |                           |
|--|---------------------------|
| FOR IAW USE ONLY<br>ELEVATOR INFORMATION | ITEM NUMBER:<br><b>1</b>  |
| JOB NUMBER:                              | DRAWING NO.<br><b>1.1</b> |

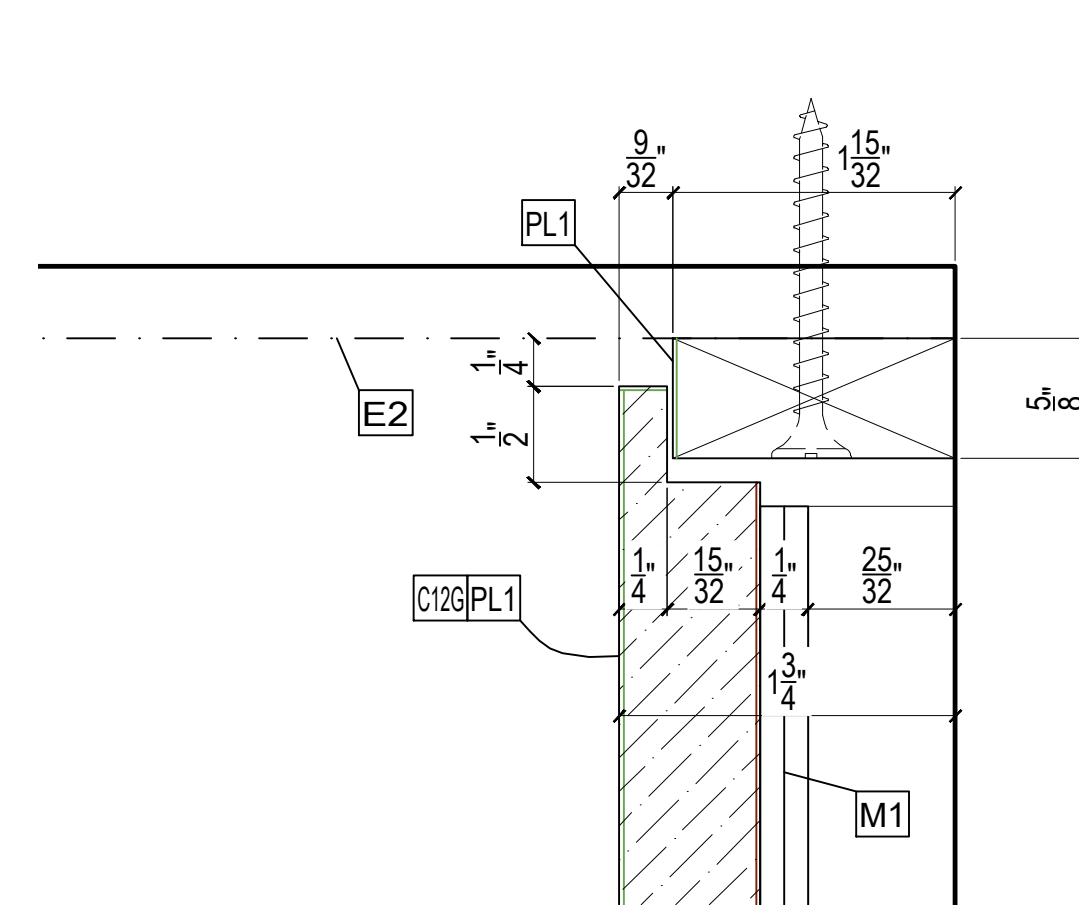
[← Back](#)



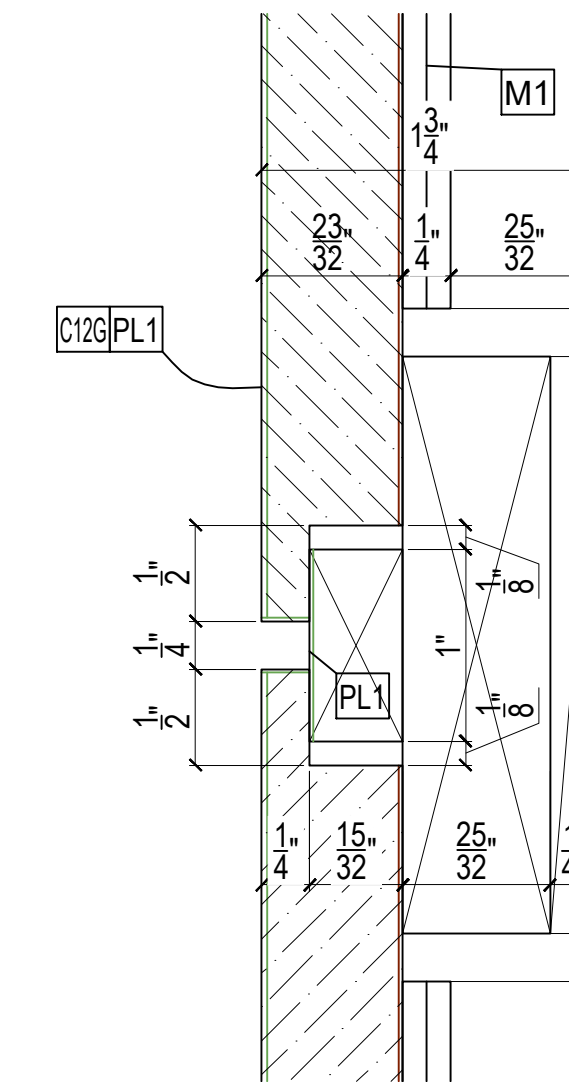
**D1**  
1.2  
SCALE: 1'-0"=1'-0" REF: 7/A-900.00 SIM.



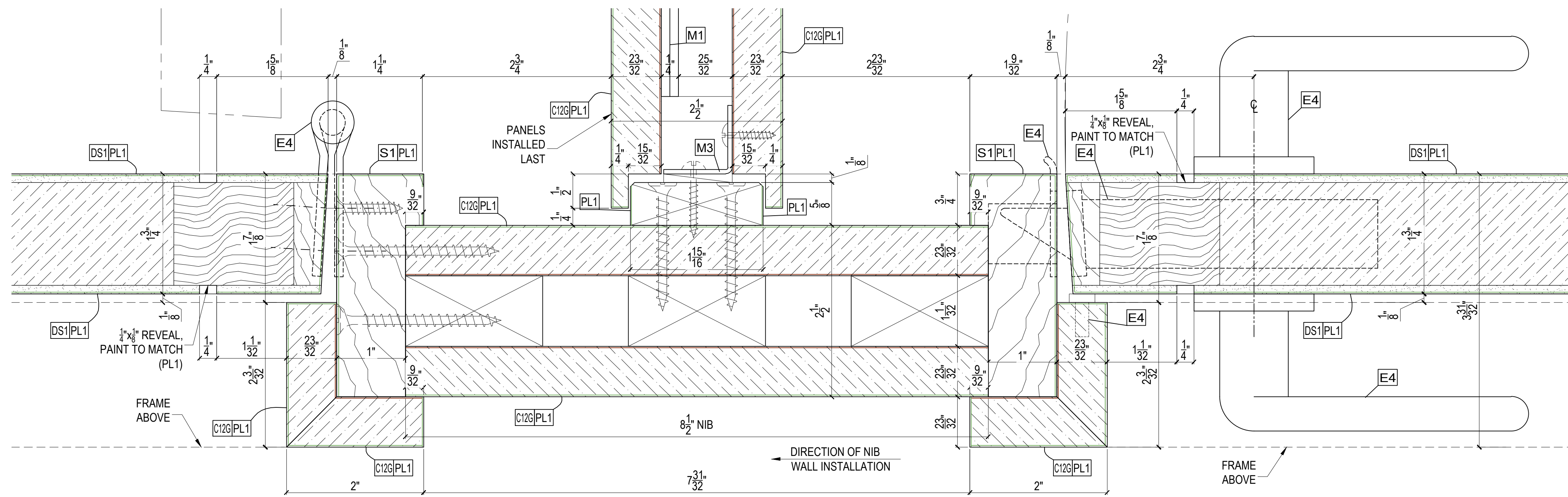
**D2**  
1.2  
SCALE: 1'-0"=1'-0" REF: N/A



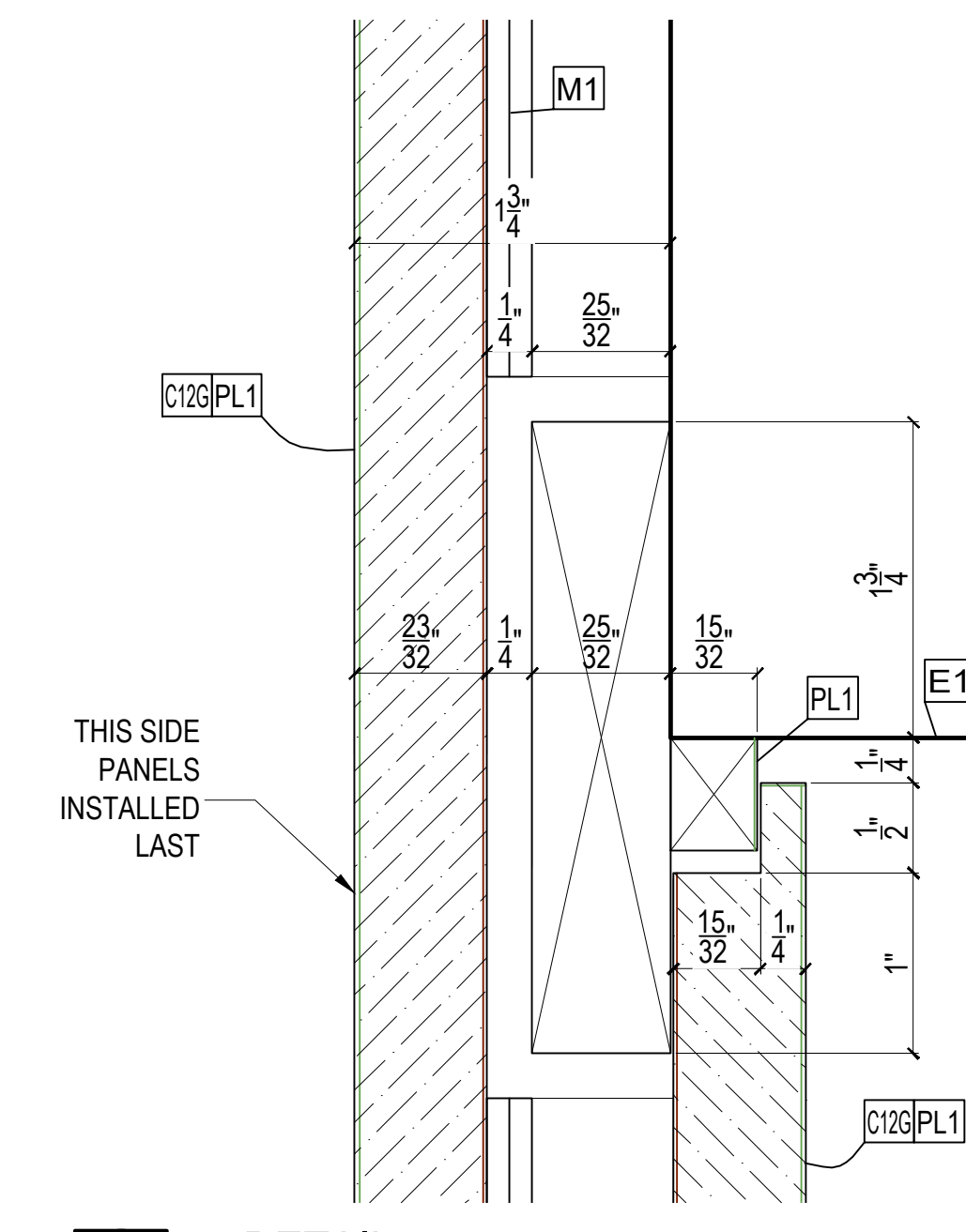
**D6**  
1.2  
SCALE: 1'-0"=1'-0" REF: N/A



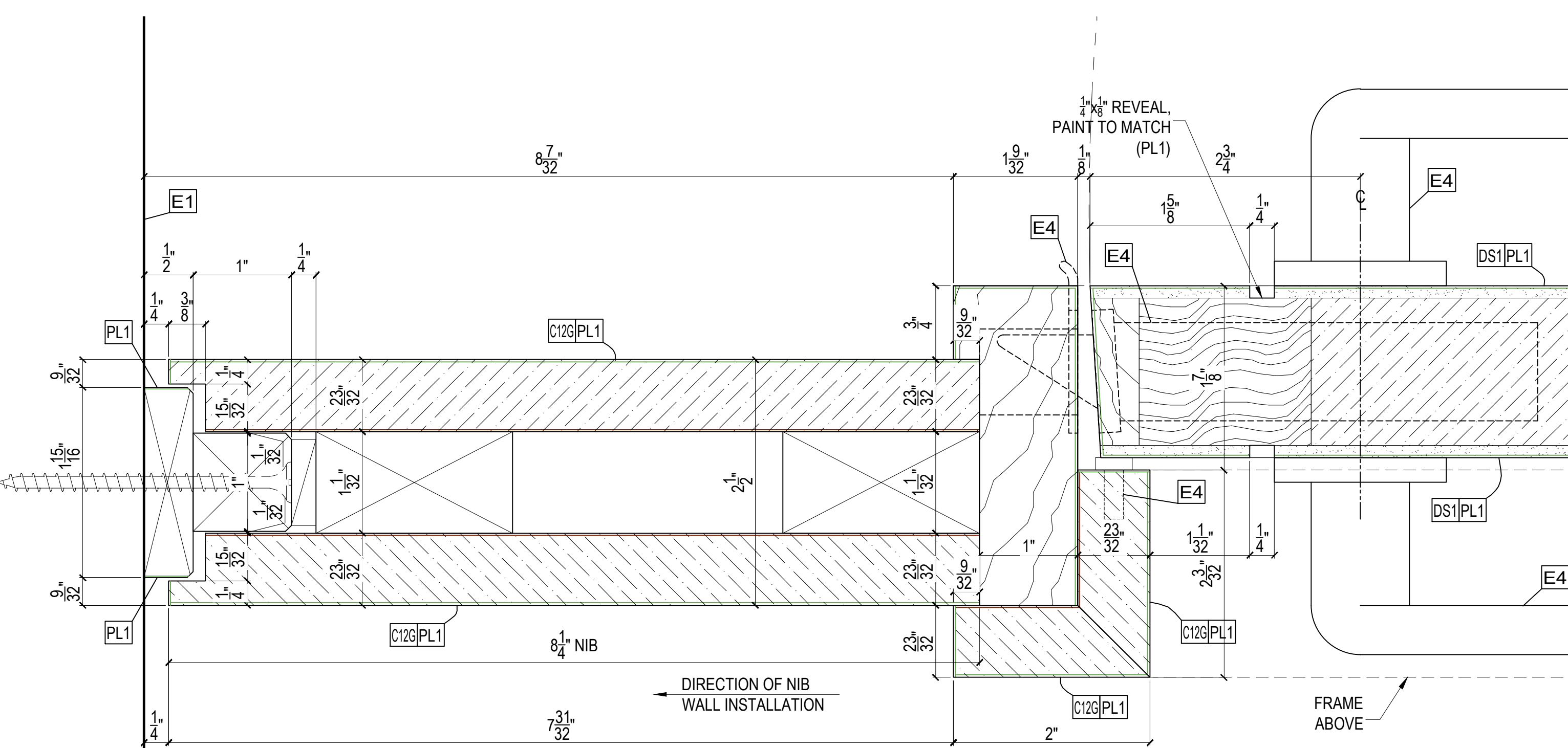
**D7**  
1.2  
SCALE: 1'-0"=1'-0" REF: N/A



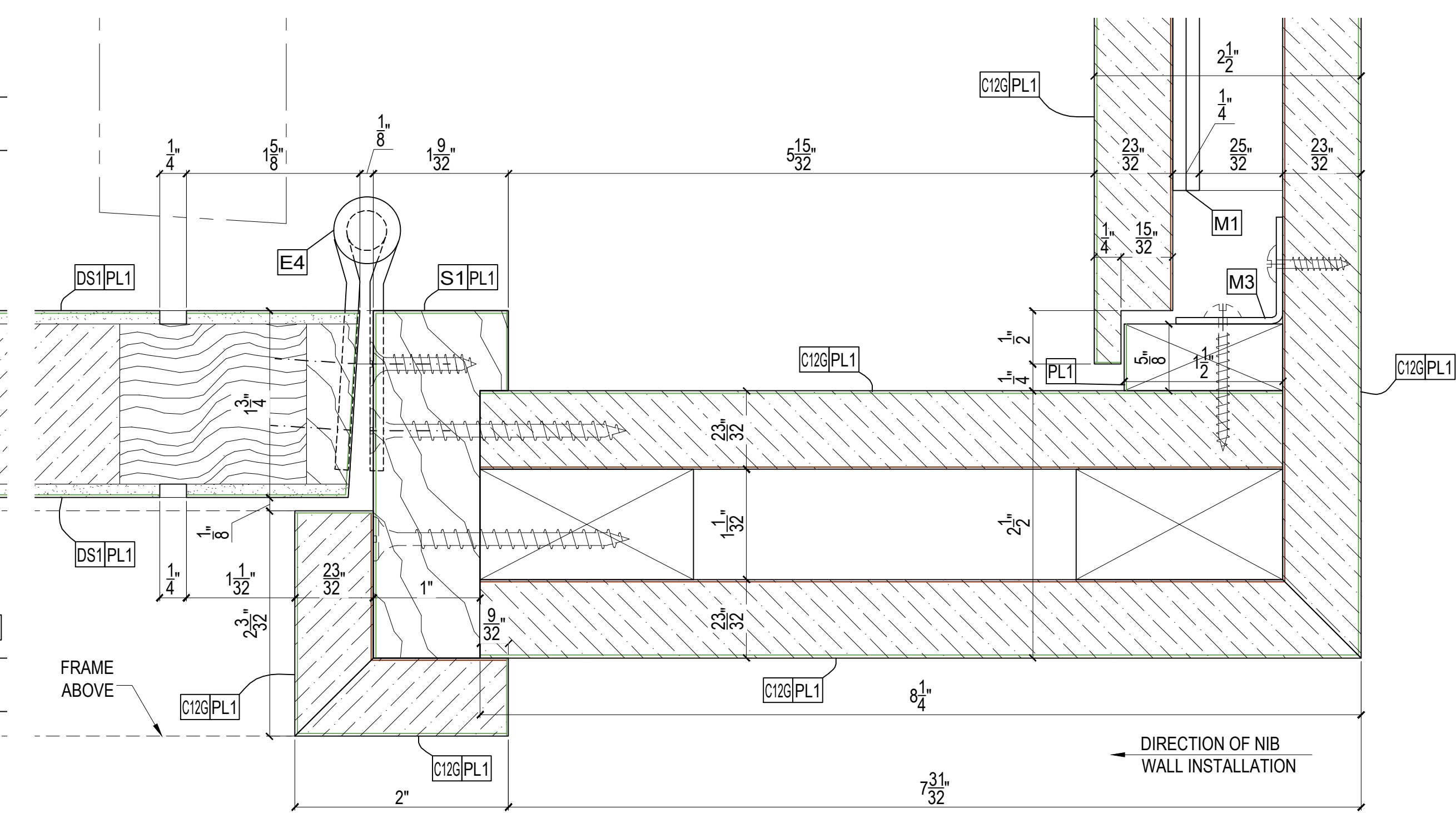
**D3**  
1.2  
SCALE: 1'-0"=1'-0" REF: 7/A-900.00 SIM.



**D8**  
1.2  
SCALE: 1'-0"=1'-0" REF: N/A



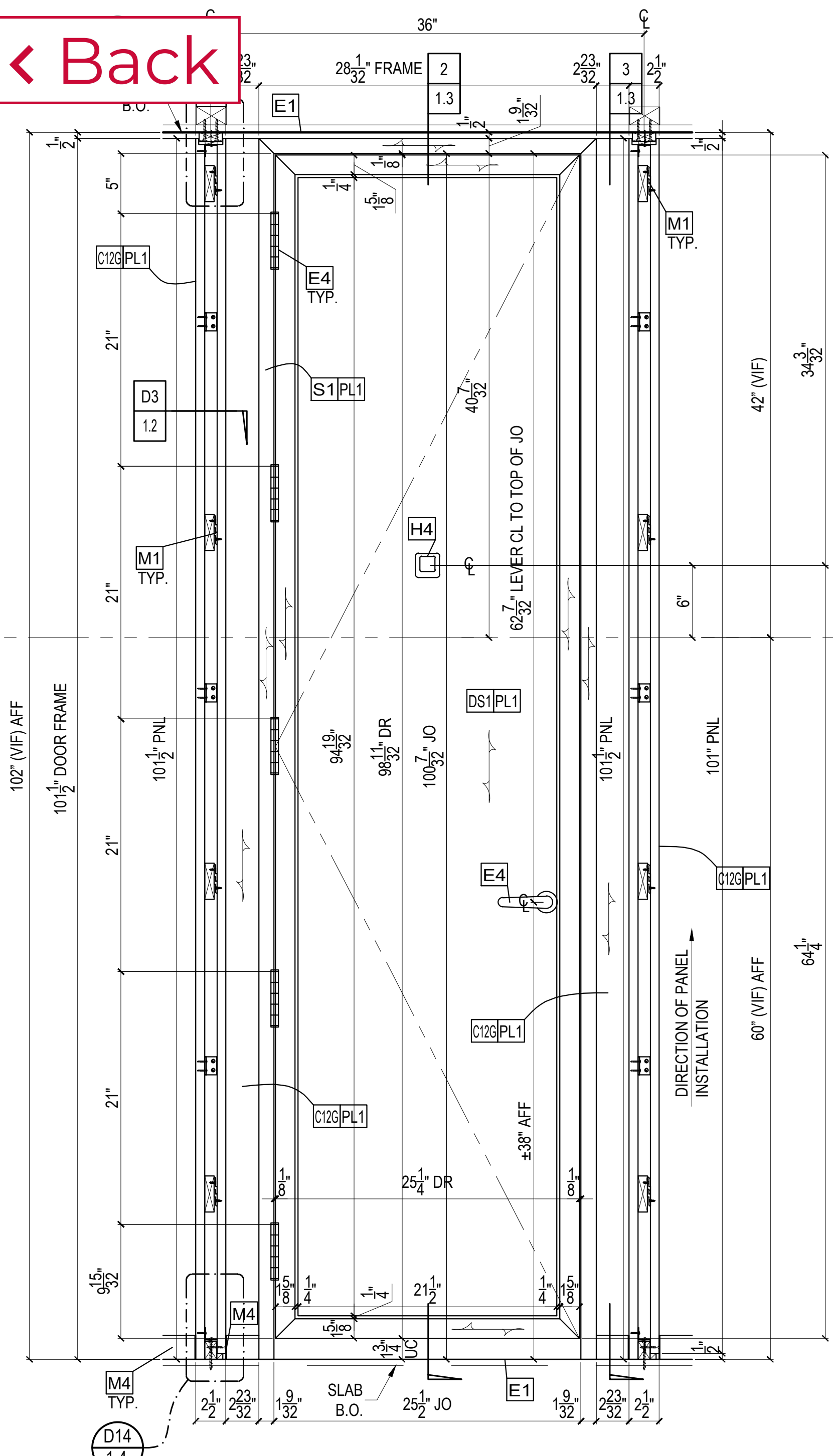
**D4**  
1.2  
SCALE: 1'-0"=1'-0" REF: 7/A-900.00 SIM.



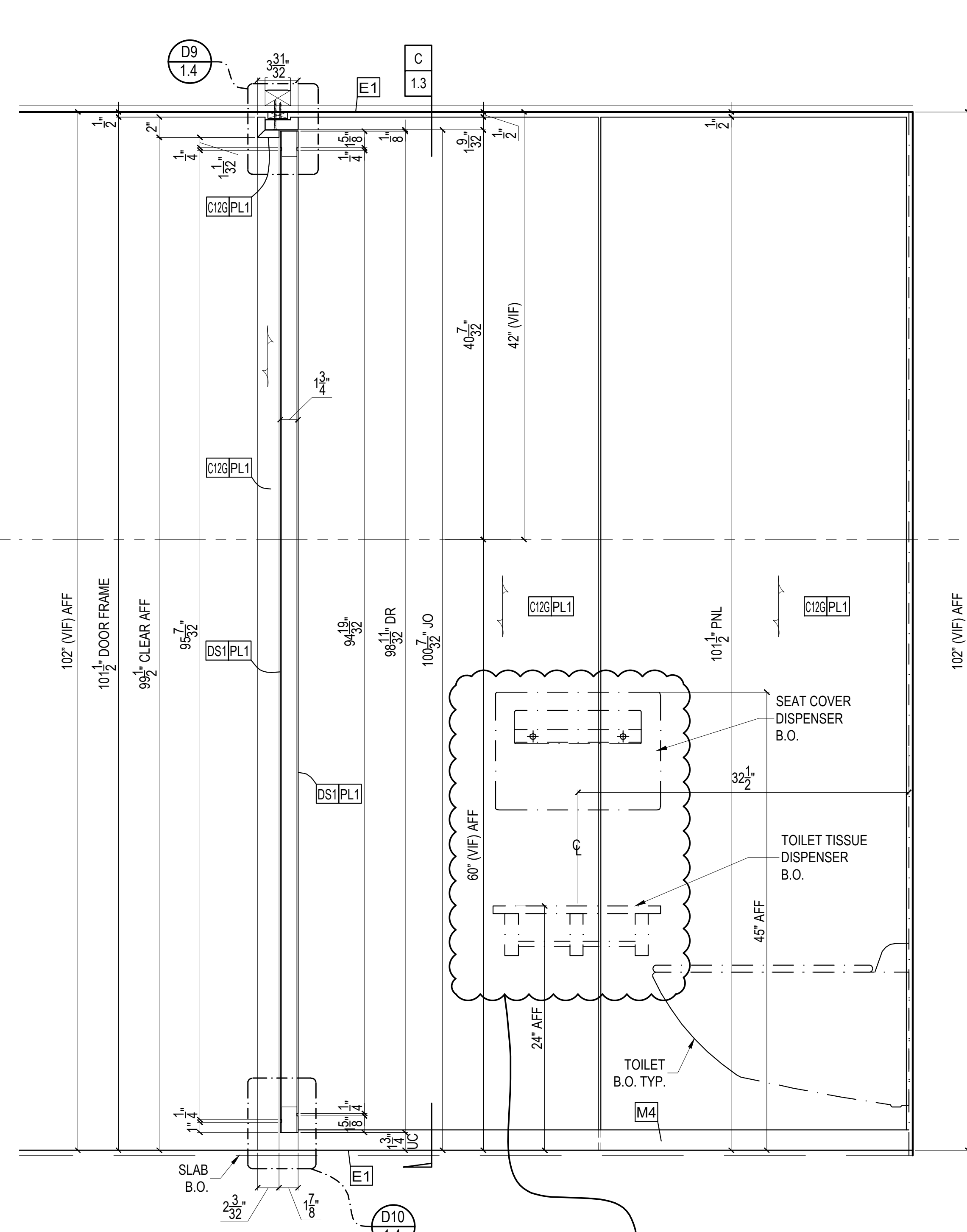
**D5**  
1.2  
SCALE: 1'-0"=1'-0" REF: 7/A-900.00 SIM.

| <input type="checkbox"/> LEED              | <input type="checkbox"/> FSC   | <input type="checkbox"/> NAUF | <input type="checkbox"/> FIRE RATED |
|--|--|-------------------------------|-------------------------------------|
| MATERIAL DESCRIPTIONS:                     |  |                               |                                     |
| FINISH / WOOD SPECIES:                     |  |                               |                                     |
| LQ1  | SW 6790 - ADRIATIC SEA, FINISH OFF THE GUN HIGH GLOSS  |                               |                                     |
| -  | -  |                               |                                     |
| -  | -  |                               |                                     |
| -  | -  |                               |                                     |
| -  | -  |                               |                                     |
| PLASTIC LAMINATE:                          |  |                               |                                     |
| PL1  | FORMICA 7288-58 GINGER ROOT MAPLE, MATTE   |                               |                                     |
| PL2  | FORMICA (TBD)  |                               |                                     |
| CORES / SUBSTRATES:                        |  |                               |                                     |
| C12G                                       | 11/16" PARTICLEBOARD   |                               |                                     |
| C1G  | 11/16" MDF   |                               |                                     |
| C1C  | 1/4" MDF   |                               |                                     |
| C36H                                       | 3/4" WHITE MELAMINE 2 Sided  |                               |                                     |
| C39E                                       | 1/2" WHITE MELAMINE 1 sided  |                               |                                     |
| C2H  | 3/4" MDF UV  |                               |                                     |
| C82C                                       | 1/4" MADEX   |                               |                                     |
| C82G                                       | 11/16" MADEX   |                               |                                     |
| -  | -  |                               |                                     |
| -  | -  |                               |                                     |
| -  | -  |                               |                                     |
| SOLID HARDWOOD:                            |  |                               |                                     |
| S1   | Solid Poplar   |                               |                                     |
| -  | -  |                               |                                     |
| -  | -  |                               |                                     |
| -  | -  |                               |                                     |
| -  | -  |                               |                                     |
| DOOR SLAB ASSEMBLY:                        |  |                               |                                     |
| DS1  | (PL1) On 1-3/4" SC Door (1-11/16" PB Core, 2.3mm HDF Skin, Timberstrand & Solid WD Edge To Match Veneer) |                               |                                     |
| -  | -  |                               |                                     |
| -  | -  |                               |                                     |
| -  | -  |                               |                                     |
| OTHER MATERIAL (PVC, GLASS, STONE, METAL): |  |                               |                                     |
| M1   | Z-Clip, 3/8" Lift Off  |                               |                                     |
| M2   | Metal Angle Trim   |                               |                                     |
| M3   | Metal Angle  |                               |                                     |
| M4   | Stainless Steel Shoe Plate   |                               |                                     |
| M5   | Alum. Angle  |                               |                                     |
| -  | -  |                               |                                     |
| HARDWARE:                                  |  |                               |                                     |
| H1   | Salice #C2R9A99 (120°) S/C Hinge   | FINISH:                       | QTY:                                |
| H2   | Salice #C2R9A99 (94°) S/C Hinge  | -                             | -                                   |
| H3   | Salice #BAR909 (0mm) Hinge Plate   | -                             | -                                   |
| H4   | Coat Hook - Bobrick B-6777   | -                             | -                                   |
| -  | -  | -                             | -                                   |
| -  | -  | -                             | -                                   |
| -  | -  | -                             | -                                   |
| -  | -  | -                             | -                                   |
| -  | -  | -                             | -                                   |
| -  | -  | -                             | -                                   |
| -  | -  | -                             | -                                   |
| -  | -  | -                             | -                                   |
| -  | -  | -                             | -                                   |
| -  | -  | -                             | -                                   |
| BY OTHERS / EXCLUSIONS:                    |  |                               |                                     |
| E1   | Slab, Floor, Wall, Ceiling   | E6                            | Lavatory                            |
| E2   | Wall Ceramic Tiles   | E7                            | Faucet                              |
| E3   | 3/8" Thk. Safety Mirror Glass  | E8                            | Soap Dispenser                      |
| E4   | Door Hardware  | E9                            | Paper Towel Dispenser               |
| E5   | 1-1/4" Thk. Stone (SS-1)   | E10                           | Light Fixture                       |
| -  | -  | -                             | -                                   |
| STAMP:                                     |  |                               |                                     |
| DATE:                                      | ISSUED FOR:  | BY:                           |                                     |
| 7.9.19                                     | Approval   | PD                            |                                     |
| -  | -  | -                             |                                     |
| -  | -  | -                             |                                     |
| -  | -  | -                             |                                     |
| -  | -  | -                             |                                     |

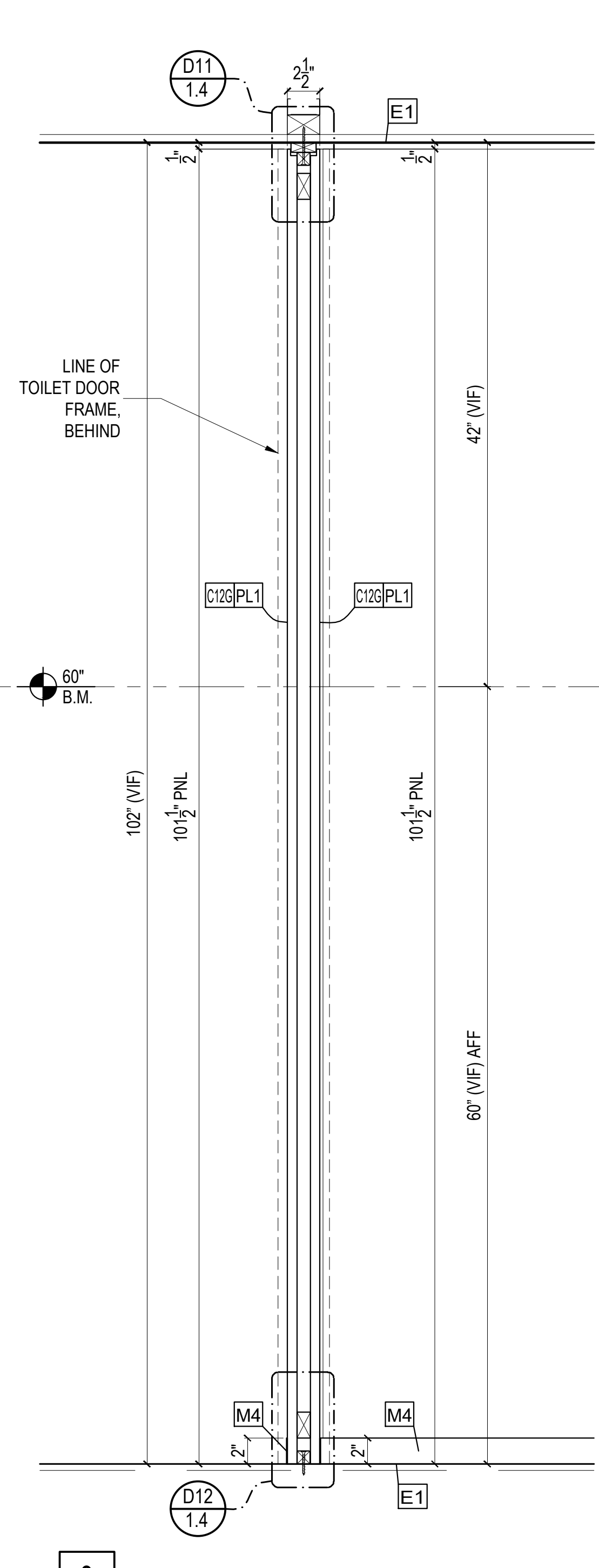
[← Back](#)



**ELEVATION** @ Typ. Toilet Cabin  
 SCALE: 3/4"=1'-0" REF: 4/A-900.00



**2 VERT. SECT.**  
 SCALE: 1-1/2"=1'-0" REF: 6/A-900.00

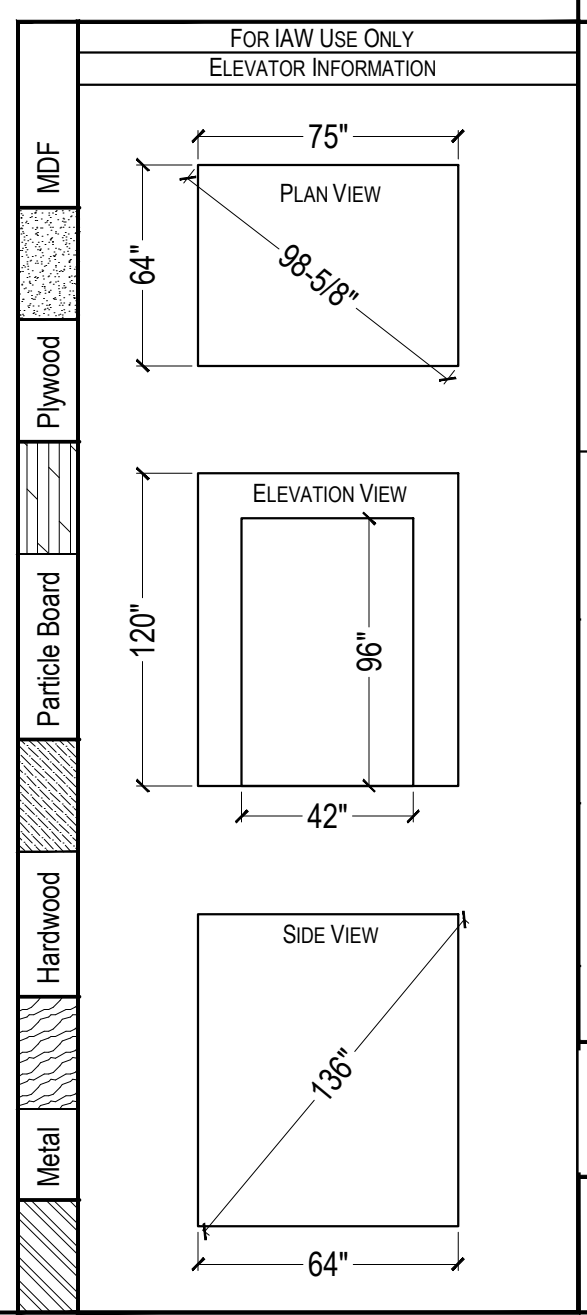


**3 VERT. SECT.**  
 SCALE: 1-1/2"=1'-0" REF: 7/A-900.00 SIM.

| <input type="checkbox"/> LEED              | <input type="checkbox"/> FSC   | <input type="checkbox"/> NAUF | <input type="checkbox"/> FIRE RATED |
|--|--|-------------------------------|-------------------------------------|
| MATERIAL DESCRIPTIONS:                     |  |                               |                                     |
| FINISH / WOOD SPECIES:                     |  |                               |                                     |
| L01  | SW 6790 - ADRIATIC SEA, FINISH OFF THE GUN HIGH GLOSS  |                               |                                     |
| PLASTIC LAMINATE:                          |  |                               |                                     |
| PL1  | FORMICA 7288-58 GINGER ROOT MAPLE, MATTE   |                               |                                     |
| PL2  | FORMICA (TBD)  |                               |                                     |
| CORES / SUBSTRATES:                        |  |                               |                                     |
| C12G                                       | 11/16" PARTICLEBOARD   |                               |                                     |
| C1G  | 11/16" MDF   |                               |                                     |
| C1C  | 1/4" MDF   |                               |                                     |
| C36H                                       | 3/4" WHITE MELAMINE 2 Sided  |                               |                                     |
| C39E                                       | 1/2" WHITE MELAMINE 1 sided  |                               |                                     |
| C2H  | 3/4" MDF UV  |                               |                                     |
| C62C                                       | 1/4" MADEX   |                               |                                     |
| C62G                                       | 11/16" MADEX   |                               |                                     |
| SOLID HARDWOOD:                            |  |                               |                                     |
| S1   | Solid Poplar   |                               |                                     |
| DOOR SLAB ASSEMBLY:                        |  |                               |                                     |
| DS1  | (PL1) On 1-3/4" SC Door (1-11/16" PB Core, 2.3mm HDF Skin, Timberstrand & Solid WD Edge To Match Veneer) |                               |                                     |
| OTHER MATERIAL (PVC, GLASS, STONE, METAL): |  |                               |                                     |
| M1   | Z-Clip, 3/8" Lift Off  |                               |                                     |
| M2   | Metal Angle Trim   |                               |                                     |
| M3   | Metal Angle  |                               |                                     |
| M4   | Stainless Steel Shoe Plate   |                               |                                     |
| M5   | Alum. Angle  |                               |                                     |
| HARDWARE #:                                |  |                               |                                     |
| H1   | Salice #C2RBA99 (120") S/C Hinge   | FINISH:                       | QTY:                                |
| H2   | Salice #C2RBA99 (94") S/C Hinge  | -                             | -                                   |
| H3   | Salice #BARGR09 (Omm) Hinge Plate  | -                             | -                                   |
| H4   | Coat Hook - Bobrick B-6777   | -                             | -                                   |
| BY OTHERS / EXCLUSIONS:                    |  |                               |                                     |
| E1   | Slab, Floor, Wall, Ceiling   | E6                            | Lavatory                            |
| E2   | Wall Ceramic Tiles   | E7                            | Faucet                              |
| E3   | 3/8" Thk. Safety Mirror Glass  | E8                            | Soap Dispenser                      |
| E4   | Door Hardware  | E9                            | Paper Towel Dispenser               |
| E5   | 1-1/4" Thk. Stone (SS-1)   | E10                           | Light Fixture                       |
| STAMP:                                     |  |                               |                                     |
| DATE:                                      | ISSUED FOR:  | BY:                           |                                     |
| 7.9.19                                     | Approval   | PD                            |                                     |

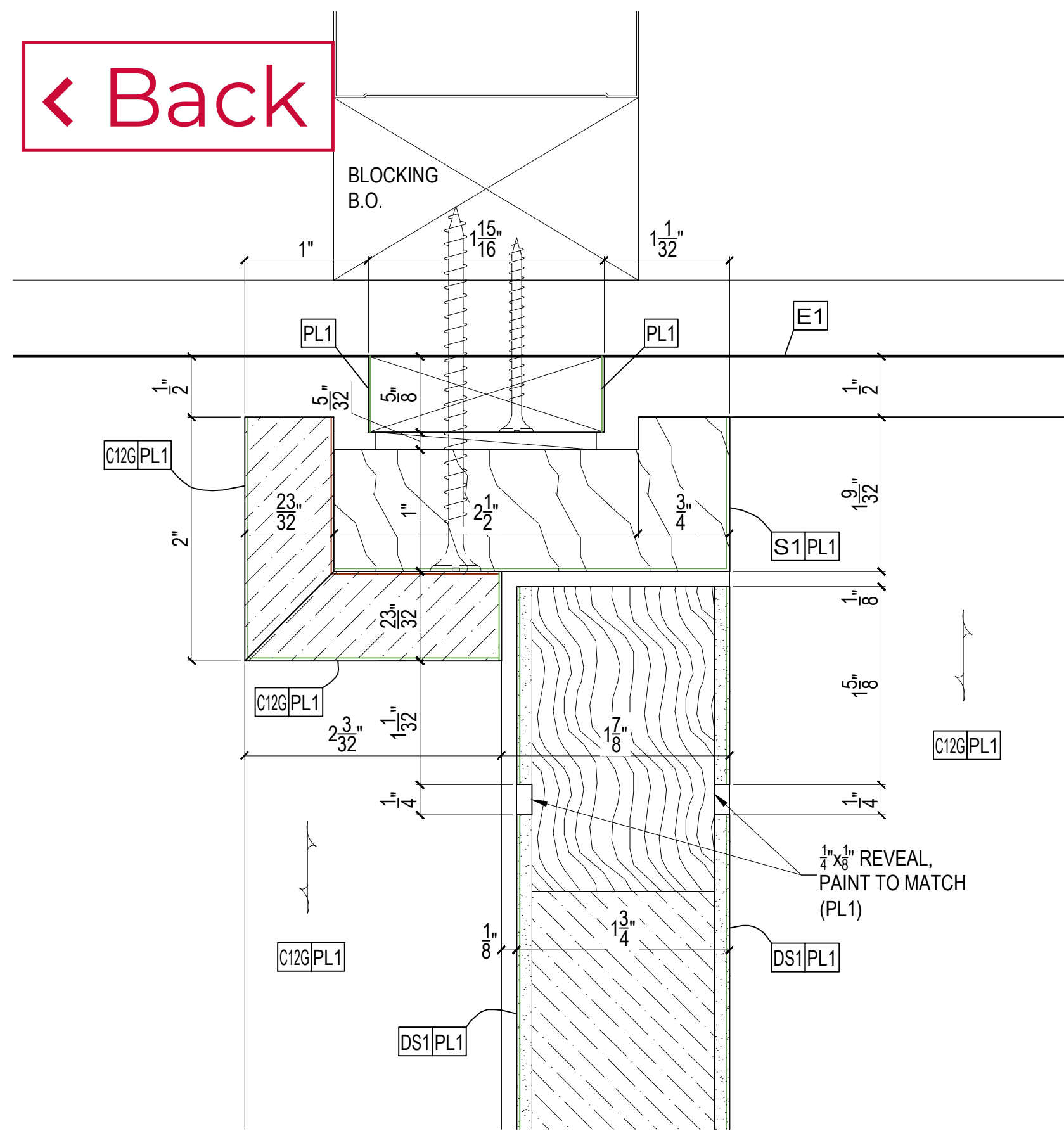
| Hardware Info           |                              |                  |  |                       |            |       |
|-------------------------|------------------------------|------------------|--|-----------------------|------------|-------|
| Hardware Set #          | Description                  | Manufacturer     | Part #   | Finish                | Qty        | Notes |
|                         | Butt Hinge                   | Stanley          | FBB-199  | Satin St. Steel       | 2 Per Leaf |       |
|                         | Self Closing Butt Hinge      | Stanley          | 422330   | Satin St. Steel       | 3 Per Leaf |       |
| Men's Toilet Stall Door | Privacy Lockset W/ Indicator | Accurate/Schlage | 8839 Bathroom Privacy Lock, Lever Set: Danmark 615 W/ A-Wrought Rose | 626 Satin Chrome      | 1 Set      |       |
|                         | Door Stop                    | Rockwood         | 446  | US26D W/ Black Rubber | 1          |       |
|                         | Rubber door Silencer         | Glynn Johnson    | SR65   | Grey                  | 3 Per Leaf |       |

ARCHITECT PLEASE PROVIDE APPROVED DOOR HARDWARE LIST FOR COORDINATION.

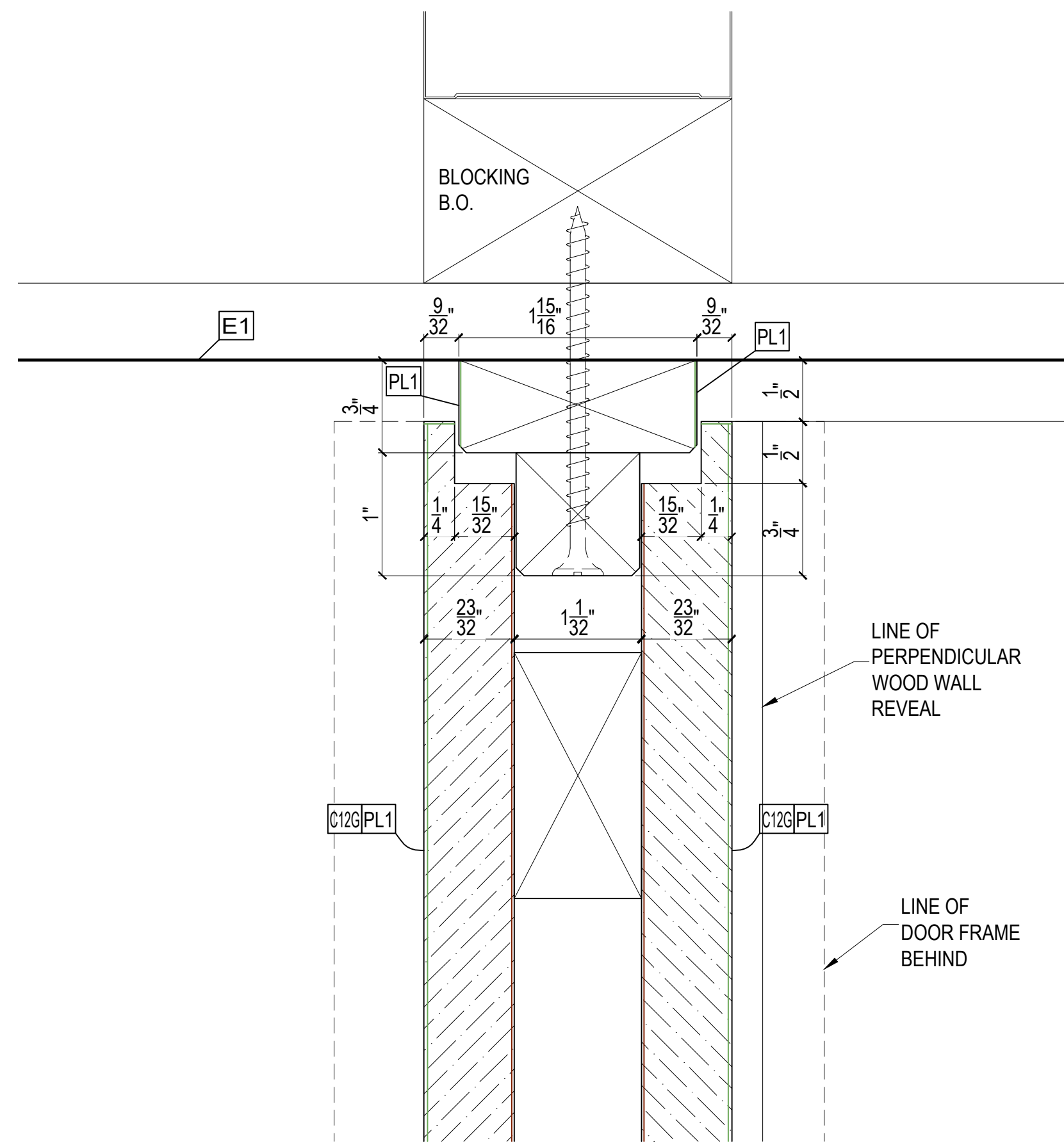


|             |                           |
|-------------|---------------------------|
| JOB NUMBER: | ITEM NUMBER:<br><b>1</b>  |
|             | DRAWING NO.<br><b>1.3</b> |

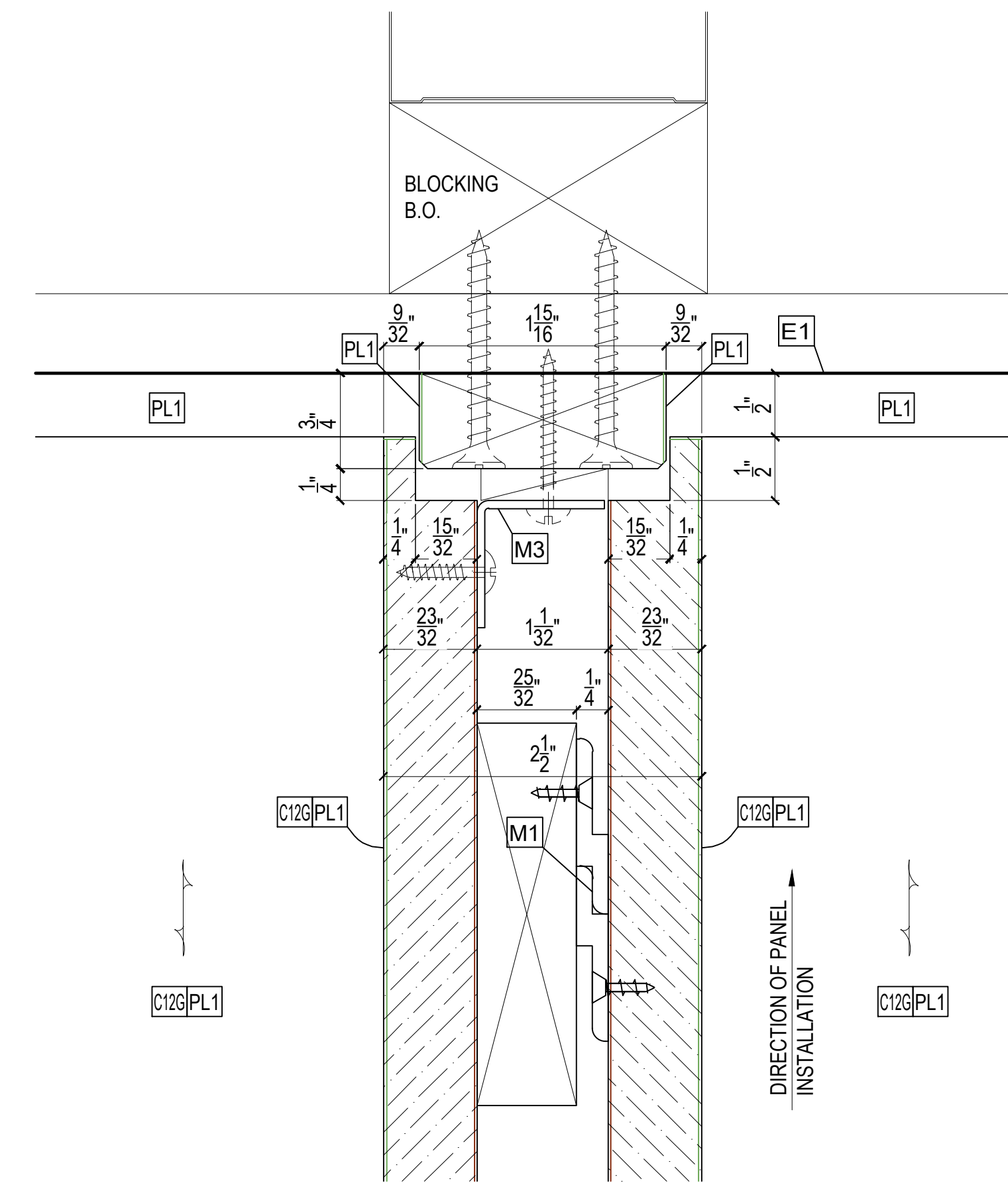
< Back



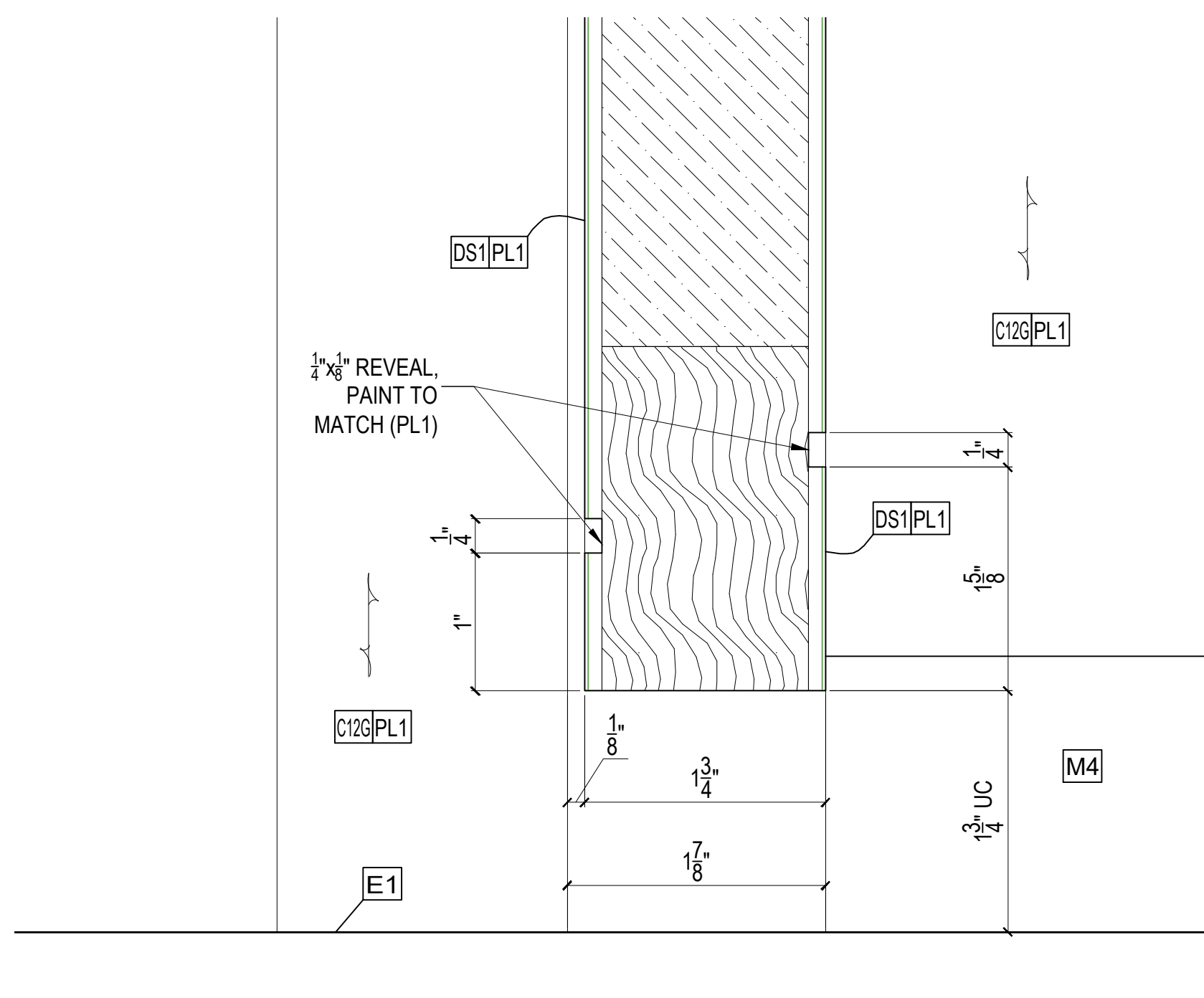
**D9**  
1.4  
DETAIL  
SCALE: 1/4"=1'-0"  
REF: 6/A-900.00



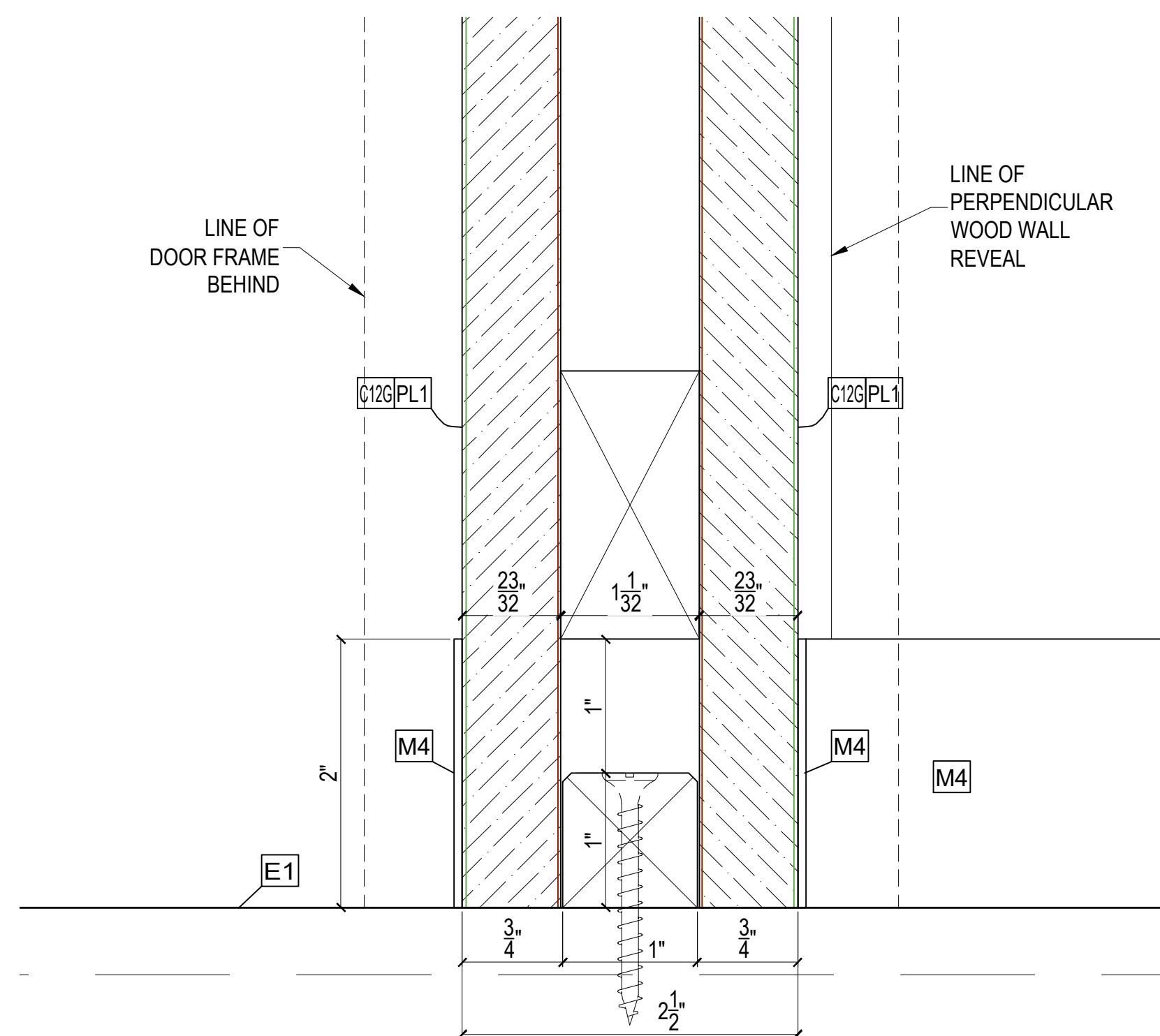
**D11**  
1.4  
DETAIL  
SCALE: 1/4"=1'-0"  
REF: 7/A-900.00 SIM.



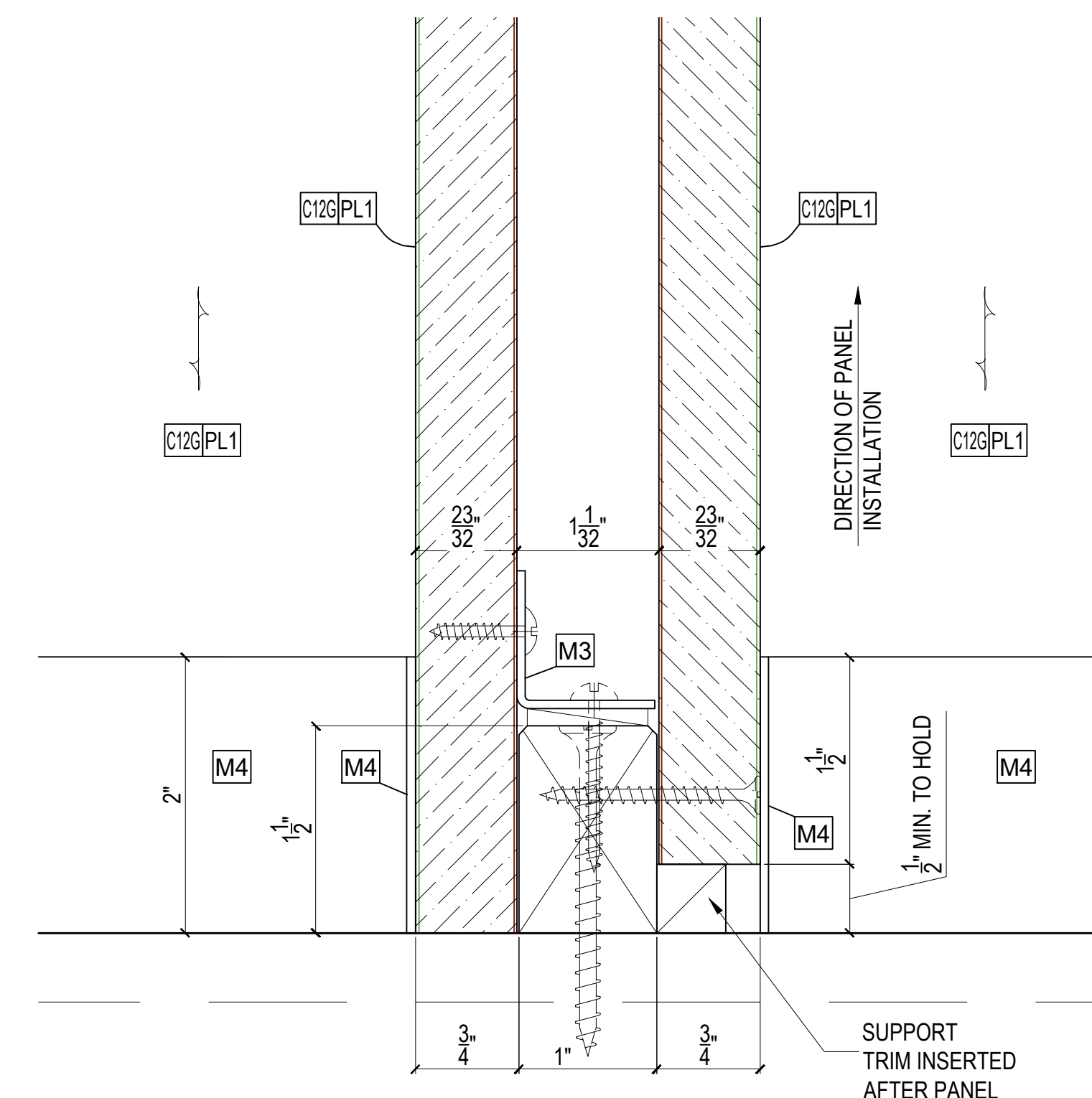
**D13**  
1.4  
DETAIL  
SCALE: 1/4"=1'-0"  
REF: 7/A-900.00 SIM.



**D10**  
1.4  
DETAIL  
SCALE: 1/4"=1'-0"  
REF: 6/A-900.00



**D12**  
1.4  
DETAIL  
SCALE: 1/4"=1'-0"  
REF: 7/A-900.00 SIM.



**D14**  
1.4  
DETAIL  
SCALE: 1/4"=1'-0"  
REF: 7/A-900.00 SIM.

| <input type="checkbox"/> LEED | <input type="checkbox"/> FSC                          | <input type="checkbox"/> NAUF | <input type="checkbox"/> FIRE RATED |
|-------------------------------|---|-------------------------------|-------------------------------------|
| MATERIAL DESCRIPTIONS:        |   |                               |                                     |
| FINISH / WOOD SPECIES:        |   |                               |                                     |
| LQ1                           | SW 6790 - ADRIATIC SEA, FINISH OFF THE GUN HIGH GLOSS |                               |                                     |
| -                             | -   |                               |                                     |
| -                             | -   |                               |                                     |
| -                             | -   |                               |                                     |

| PLASTIC LAMINATE: |  |
|-------------------|--|
| PL1               | FORMICA 7288-58 GINGER ROOT MAPLE, MATTE |
| PL2               | FORMICA (TBD)                            |
| -                 | -  |
| -                 | -  |
| -                 | -  |

| CORES / SUBSTRATES: |                             |
|---------------------|-----------------------------|
| C12G                | 1 1/16" PARTICLEBOARD       |
| C1G                 | 1 1/16" MDF                 |
| C1C                 | 1/4" MDF                    |
| C36H                | 3/4" WHITE MELAMINE 2 Sided |
| C39E                | 1/2" WHITE MELAMINE 1 sided |
| C2H                 | 3/4" MDF UV                 |
| C82C                | 1/4" MADEX                  |
| C82G                | 1 1/16" MADEX               |
| -                   | -                           |
| -                   | -                           |

| SOLID HARDWOOD: |              |
|-----------------|--------------|
| S1              | Solid Poplar |
| -               | -            |
| -               | -            |
| -               | -            |

| DOOR SLAB ASSEMBLY: |  |
|---------------------|--|
| DS1                 | (PL1) On 1-3/4" SC Door (1-11/16" PB Core, 2.3mm HDF Skin, Timberstrand & Solid WD Edge To Match Veneer) |
| -                   | -  |
| -                   | -  |
| -                   | -  |

| OTHER MATERIAL (PVC, GLASS, STONE, METAL): |                            |  |
|--|----------------------------|--|
| M1   | Z-Clip, 3/8" Lift Off      |  |
| M2   | Metal Angle Trim           |  |
| M3   | Metal Angle                |  |
| M4   | Stainless Steel Shoe Plate |  |
| M5   | Alum. Angle                |  |
| -  | -                          |  |
| -  | -                          |  |

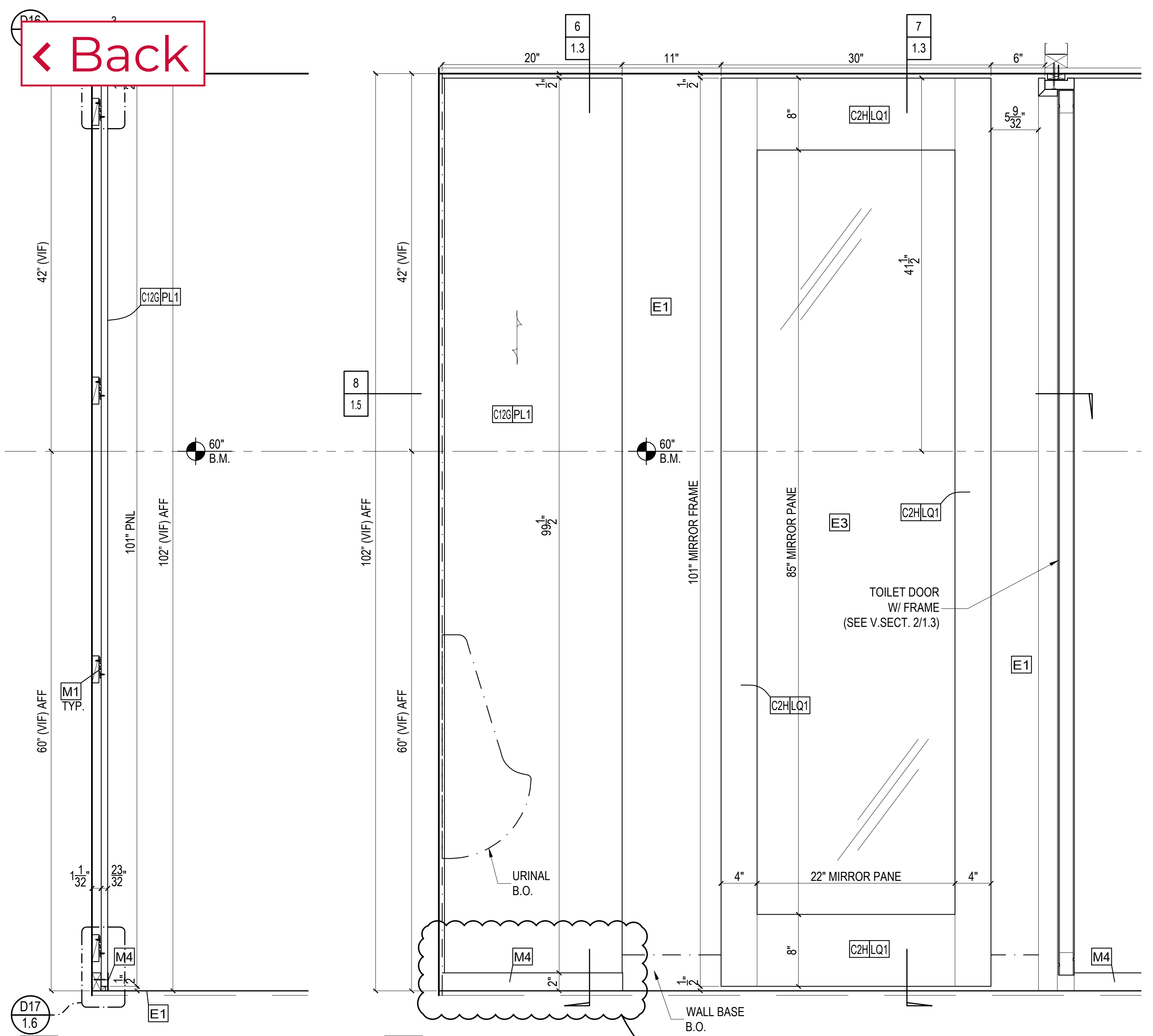
| HARDWARE: |                                   |           |
|-----------|-----------------------------------|-----------|
| H1        | Salice #C2R9A99 (120") S/C Hinge  | FINISH: - |
| H2        | Salice #C2RBA99 (94") S/C Hinge   | FINISH: - |
| H3        | Salice #BARGR09 (Omm) Hinge Plate | FINISH: - |
| H4        | Coat Hook - Bobrick B-6777        | FINISH: - |
| -         | -                                 | -         |
| -         | -                                 | -         |
| -         | -                                 | -         |
| -         | -                                 | -         |

| BY OTHERS / EXCLUSIONS: |                               |                          |
|-------------------------|-------------------------------|--------------------------|
| E1                      | Slab, Floor, Wall, Ceiling    | E6 Lavatory              |
| E2                      | Wall Ceramic Tiles            | E7 Faucet                |
| E3                      | 3/8" Thk. Safety Mirror Glass | E8 Soap Dispenser        |
| E4                      | Door Hardware                 | E9 Paper Towel Dispenser |
| E5                      | 1-1/4" Thk. Stone (SS-1)      | E10 Light Fixture        |

| STAMP: |             |     |
|--------|-------------|-----|
| DATE:  | ISSUED FOR: | BY: |
| 7.9.19 | Approval    | PD  |
| -      | -           | -   |
| -      | -           | -   |
| -      | -           | -   |

Blank area for notes or additional stamps.

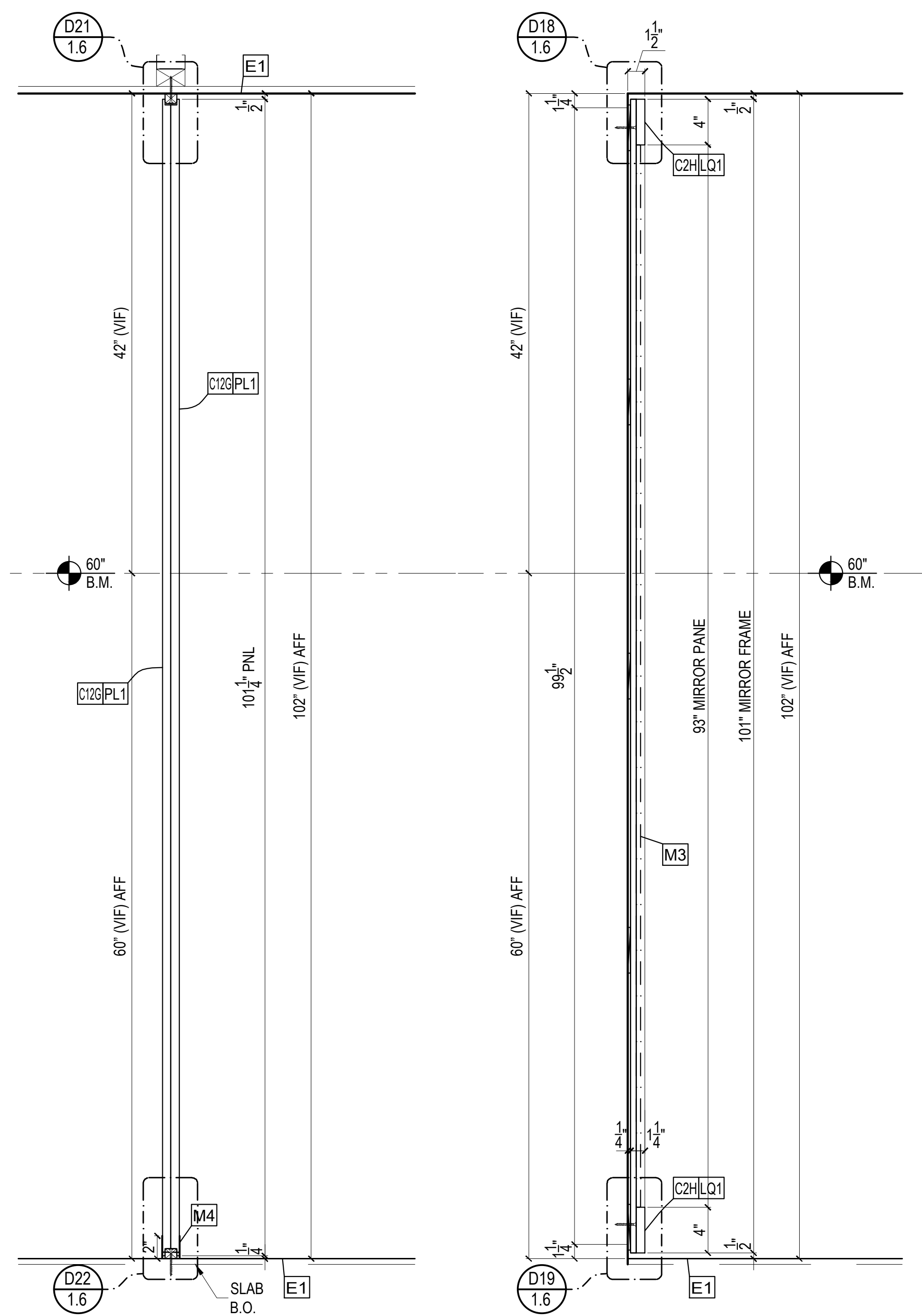
[Back](#)



**4 VERT. SECT.**  
SCALE: 1-1/2"=1'-0" REF: N/A

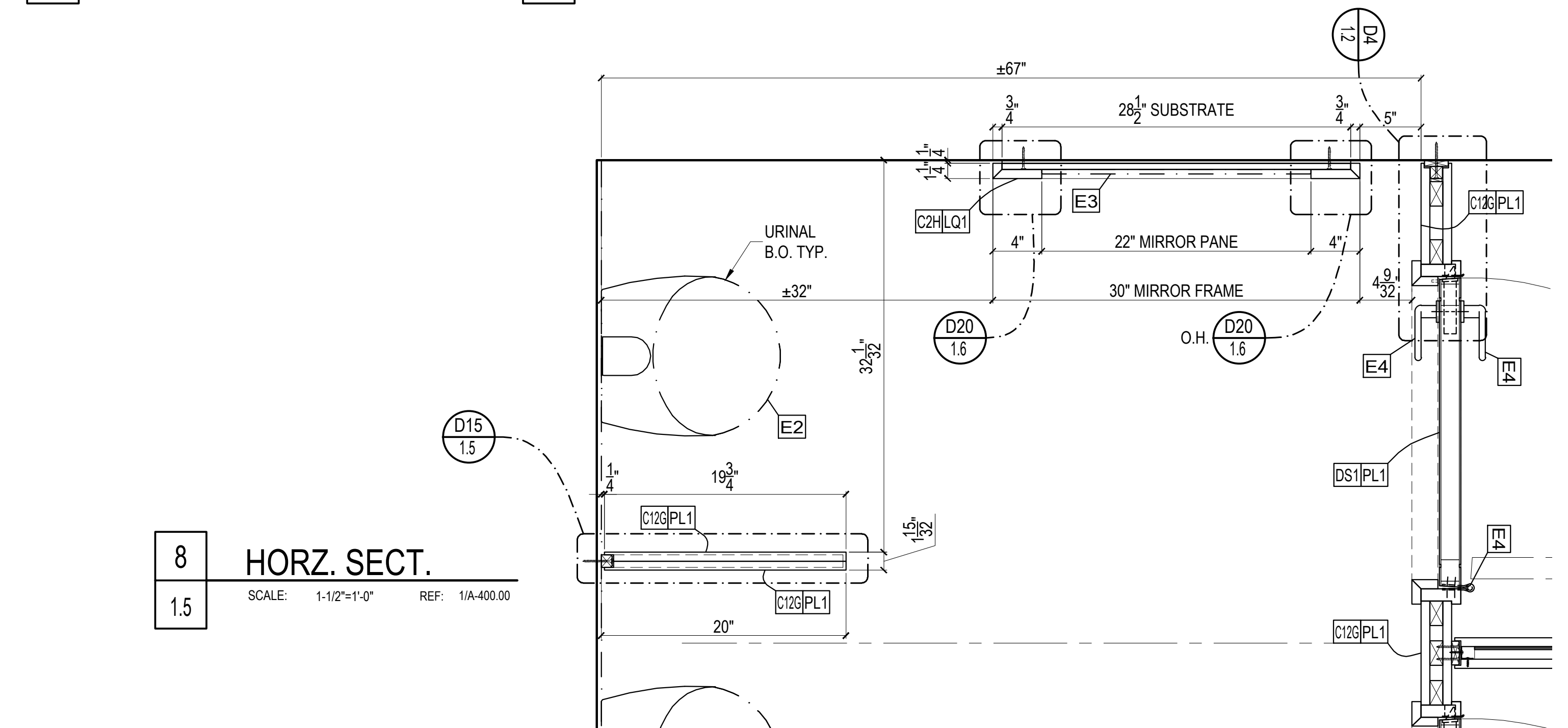
**5 VERT. SECT.**  
SCALE: 1-1/2"=1'-0" REF: 5/A-801.00 SIM.

ARCHITECT PLEASE VERIFY METAL BASE AT DIVIDERS.

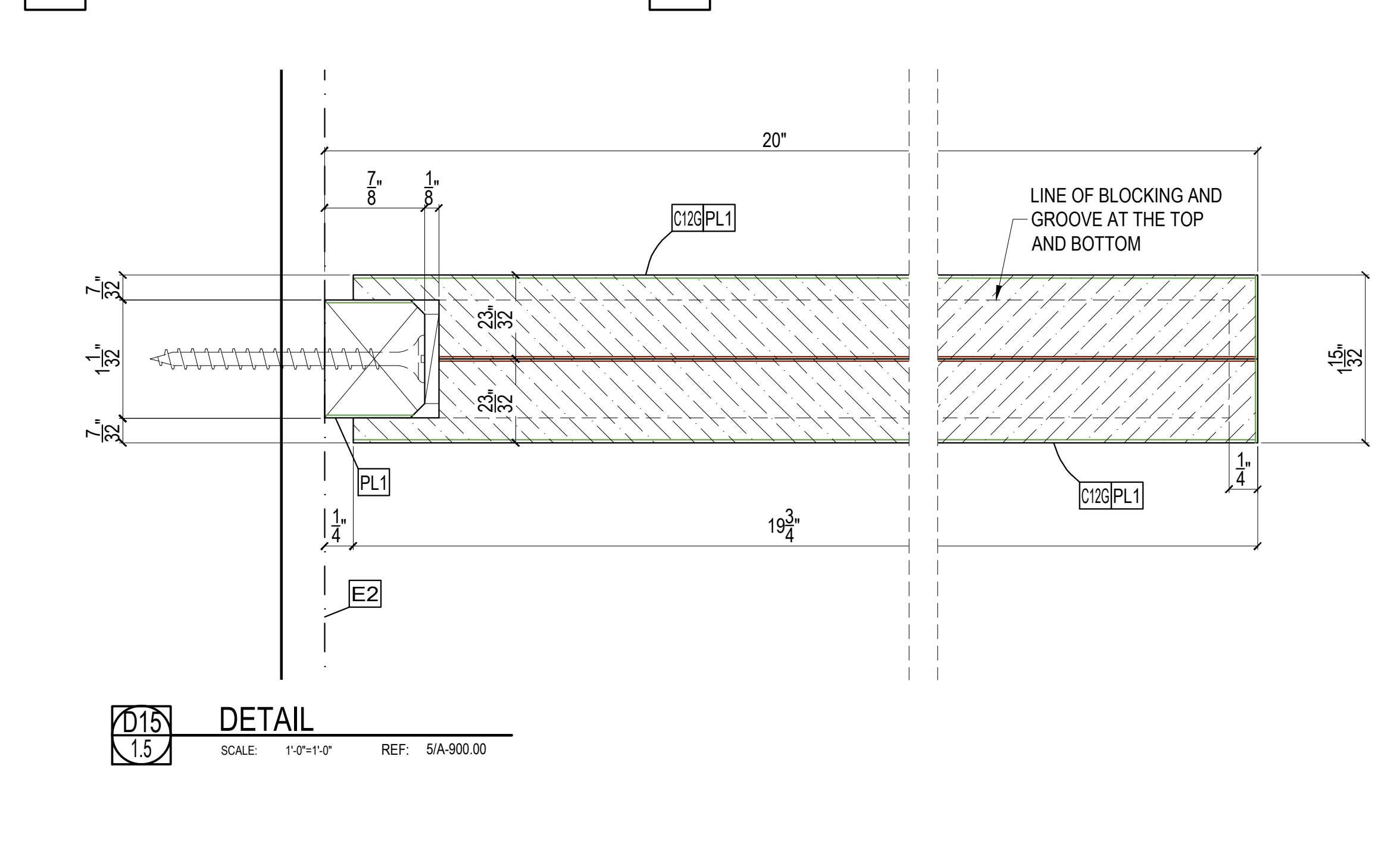


**6 VERT. SECT.**  
SCALE: 1-1/2"=1'-0" REF: 5/A-900.00 SIM.

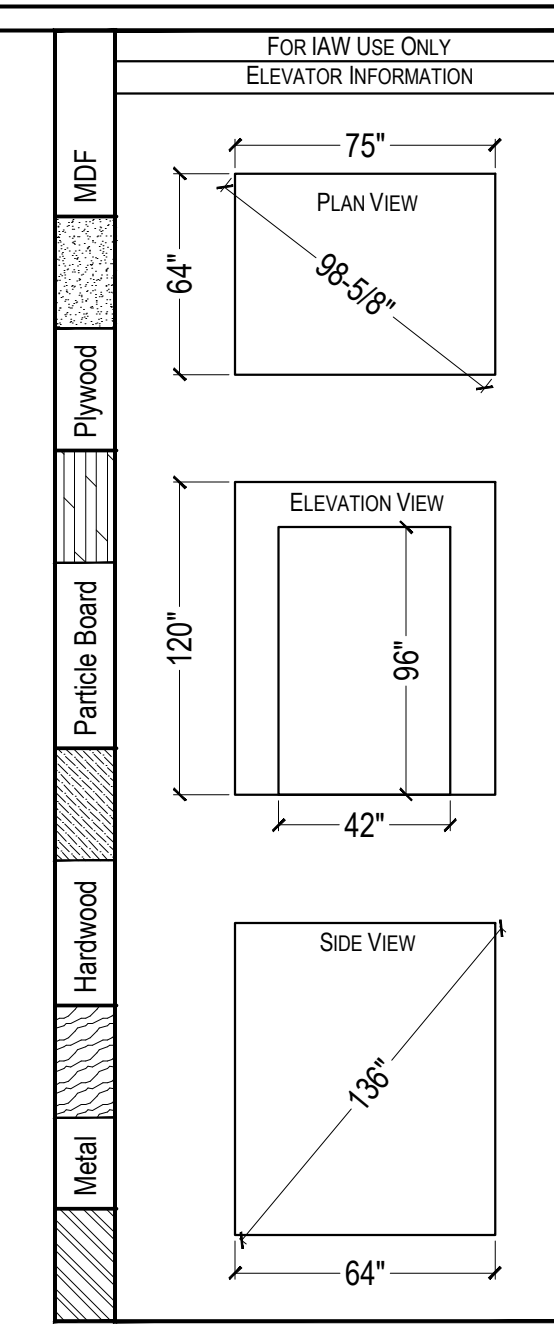
**7 VERT. SECT.**  
SCALE: 1-1/2"=1'-0" REF: 2/A-900.00



**8 HORZ. SECT.**  
SCALE: 1-1/2"=1'-0" REF: 1/A-400.00



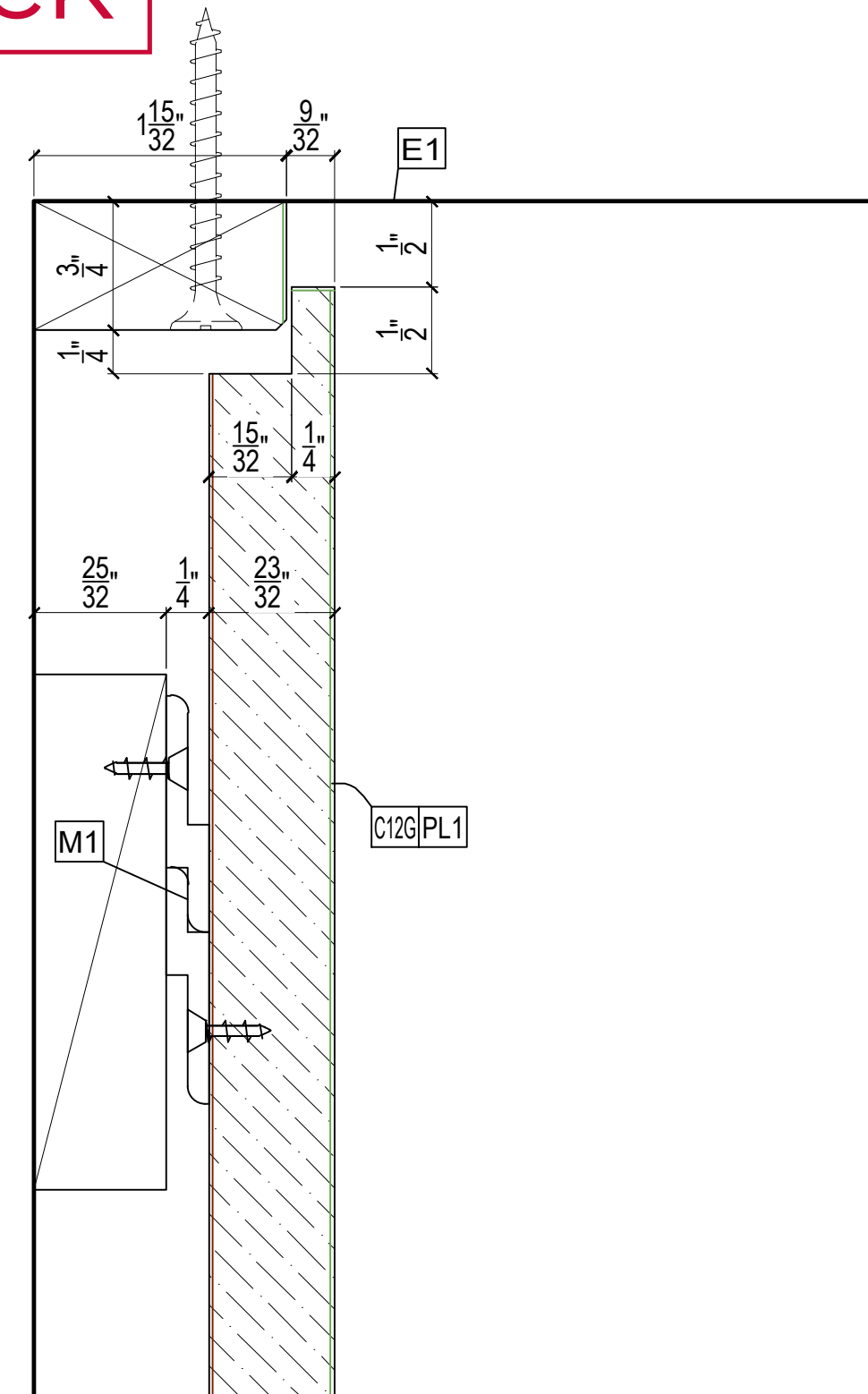
**D15 DETAIL**  
SCALE: 1'-0"=1'-0" REF: 5/A-900.00



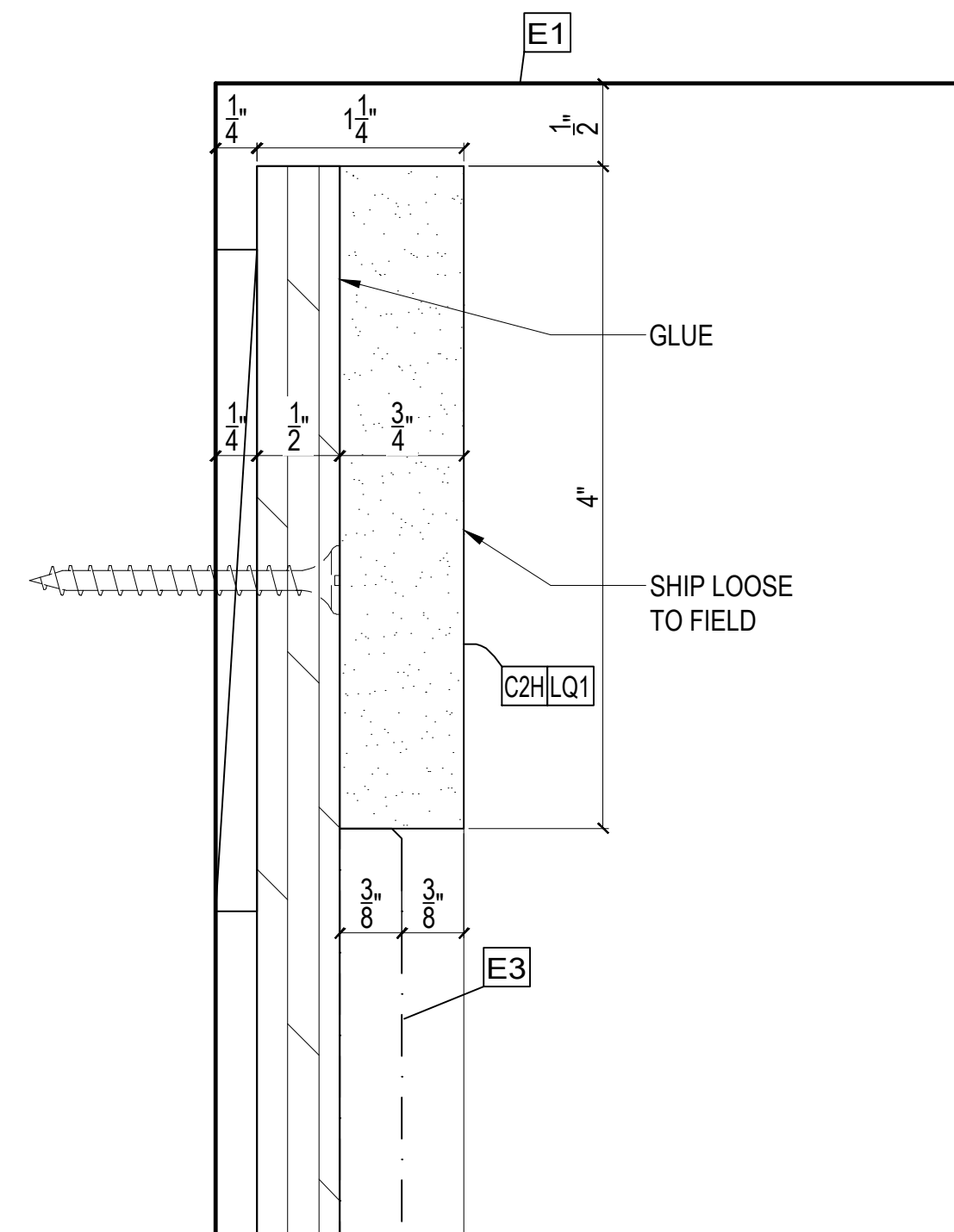
|  |  |         |                       |
|--|--|---------|-----------------------|
| FOR LAW USE ONLY<br>ELEVATOR INFORMATION   |  |         |                       |
| <input type="checkbox"/> LEED <input type="checkbox"/> FSC <input type="checkbox"/> NAUF <input type="checkbox"/> FIRE RATED |  |         |                       |
| MATERIAL DESCRIPTIONS:   |  |         |                       |
| FINISH / WOOD SPECIES:   |  |         |                       |
| L01  | SW 8790 - ADRIATIC SEA, FINISH OFF THE GUN HIGH GLOSS  |         |                       |
| PL1  | FORMICA 7288-58 GINGER ROOT MAPLE, MATTE   |         |                       |
| PL2  | FORMICA (TBD)  |         |                       |
| PLASTIC LAMINATE:  |  |         |                       |
| PL1  | FORMICA 7288-58 GINGER ROOT MAPLE, MATTE   |         |                       |
| PL2  | FORMICA (TBD)  |         |                       |
| CORES / SUBSTRATES:  |  |         |                       |
| C12G   | 11/16" PARTICLEBOARD   |         |                       |
| C1G  | 11/16" MDF   |         |                       |
| C1C  | 1/4" MDF   |         |                       |
| C36H   | 3/4" WHITE MELAMINE 2 Sided  |         |                       |
| C39E   | 1/2" WHITE MELAMINE 1 sided  |         |                       |
| C2H  | 3/4" MDF UV  |         |                       |
| C62C   | 1/4" MADEX   |         |                       |
| C62G   | 11/16" MADEX   |         |                       |
| SOLID HARDWOOD:  |  |         |                       |
| S1   | Solid Poplar   |         |                       |
| DOOR SLAB ASSEMBLY:  |  |         |                       |
| DS1  | (PL1) On 1-3/4" SC Door (1-11/16" PB Core, 2.3mm HDF Skin, Timberstrand & Solid WD Edge To Match Veneer) |         |                       |
| OTHER MATERIAL (PVC, GLASS, STONE, METAL):   |  |         |                       |
| M1   | Z-Clip, 3/8" Lift Off  |         |                       |
| M2   | Metal Angle Trim   |         |                       |
| M3   | Metal Angle  |         |                       |
| M4   | Stainless Steel Shoe Plate   |         |                       |
| M5   | Alum. Angle  |         |                       |
| HARDWARE:  |  |         |                       |
| H1   | Salice #C2RBA99 (120") S/C Hinge   | FINISH: | QTY:                  |
| H2   | Salice #C2RBA99 (94") S/C Hinge  | -       | -                     |
| H3   | Salice #BARGR09 (Omm) Hinge Plate  | -       | -                     |
| H4   | Coat Hook - Bobrick B-6777   | -       | -                     |
| BY OTHERS / EXCLUSIONS:  |  |         |                       |
| E1   | Slab, Floor, Wall, Ceiling   | E6      | Lavatory              |
| E2   | Wall Ceramic Tiles   | E7      | Faucet                |
| E3   | 3/8" Thk. Safety Mirror Glass  | E8      | Soap Dispenser        |
| E4   | Door Hardware  | E9      | Paper Towel Dispenser |
| E5   | 1-1/4" Thk. Stone (SS-1)   | E10     | Light Fixture         |

|              |             |              |
|--------------|-------------|--------------|
| DATE:        | ISSUED FOR: | BY:          |
| 7.9.19       | Approval    | PD           |
| STAMP:       |             |              |
|              |             |              |
|              |             |              |
| JOB NUMBER:  |             | ITEM NUMBER: |
|              |             | 1            |
| DRAWING NO.: |             | 1.5          |

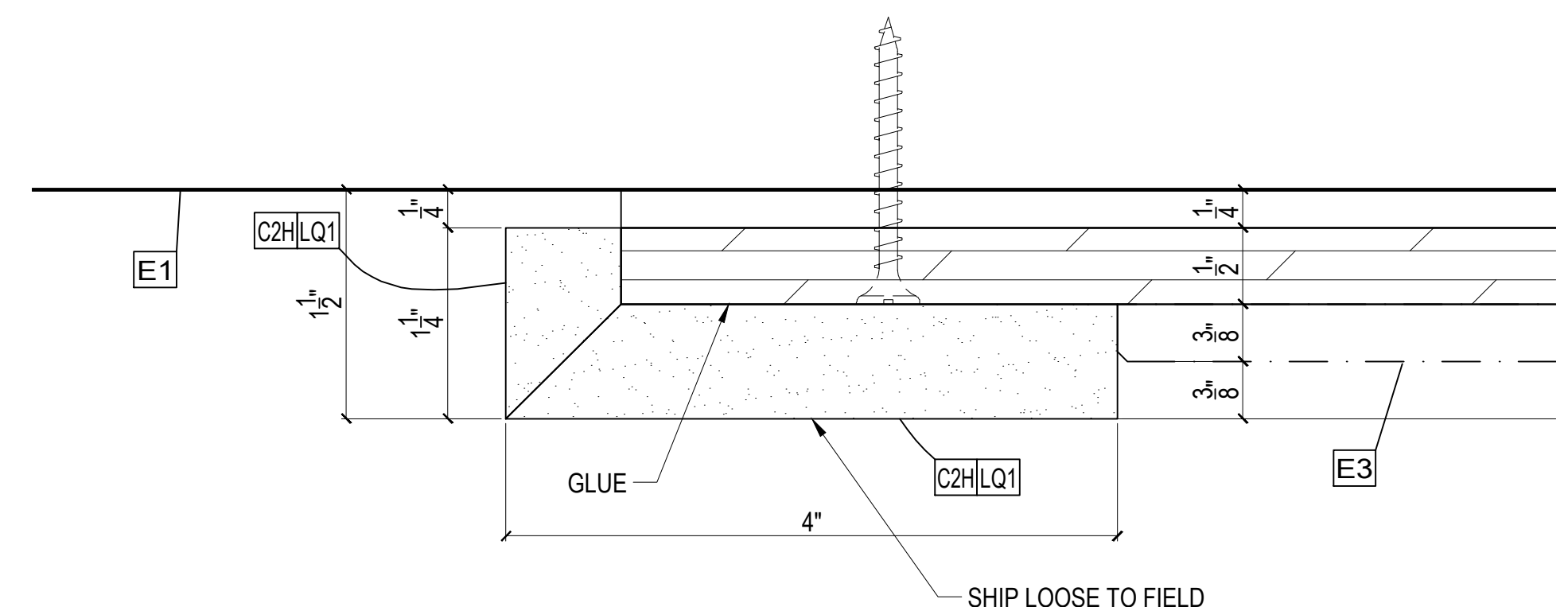
[← Back](#)



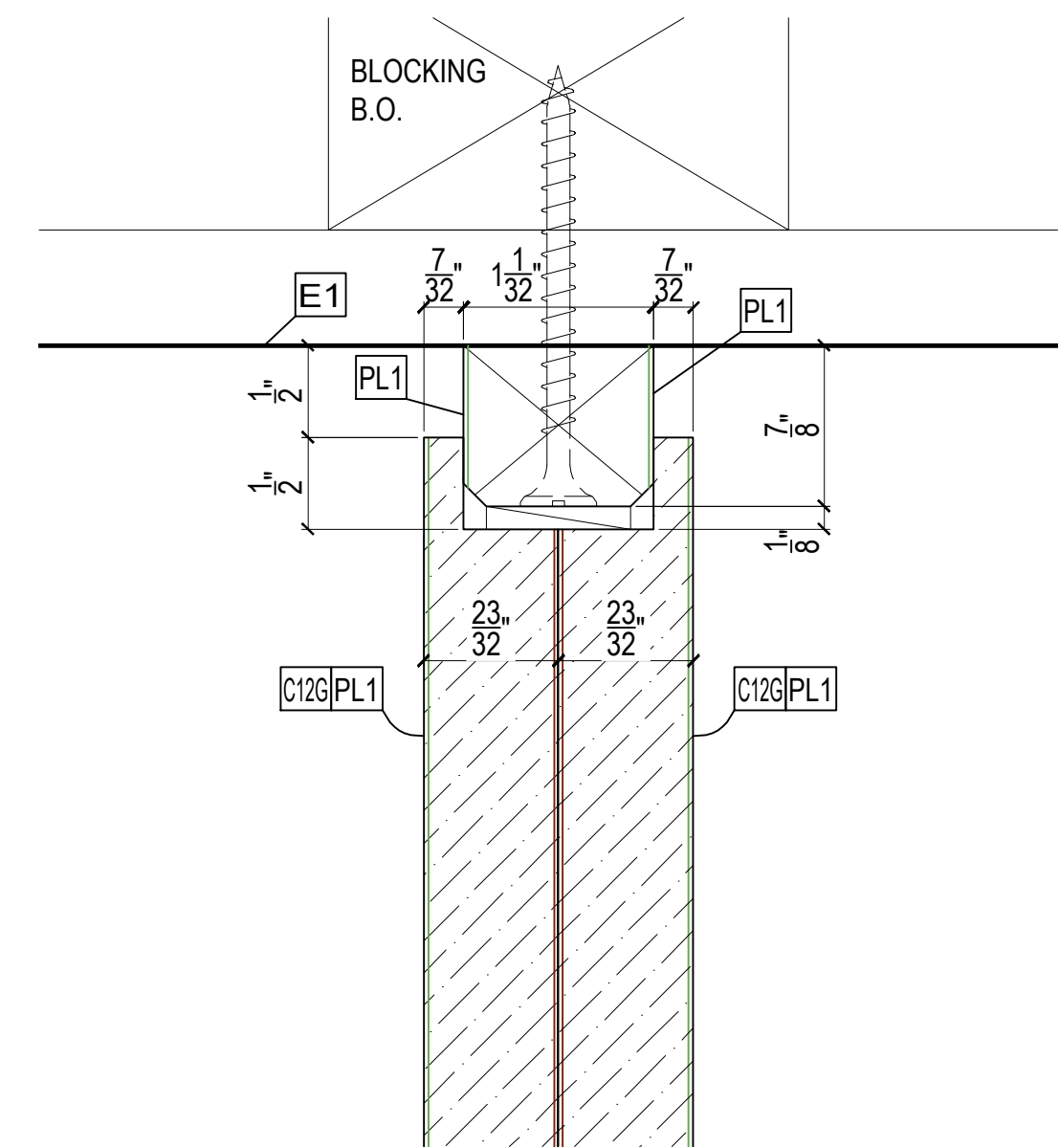
**D16**  
1.6  
SCALE: 1'-0"=1'-0" REF:



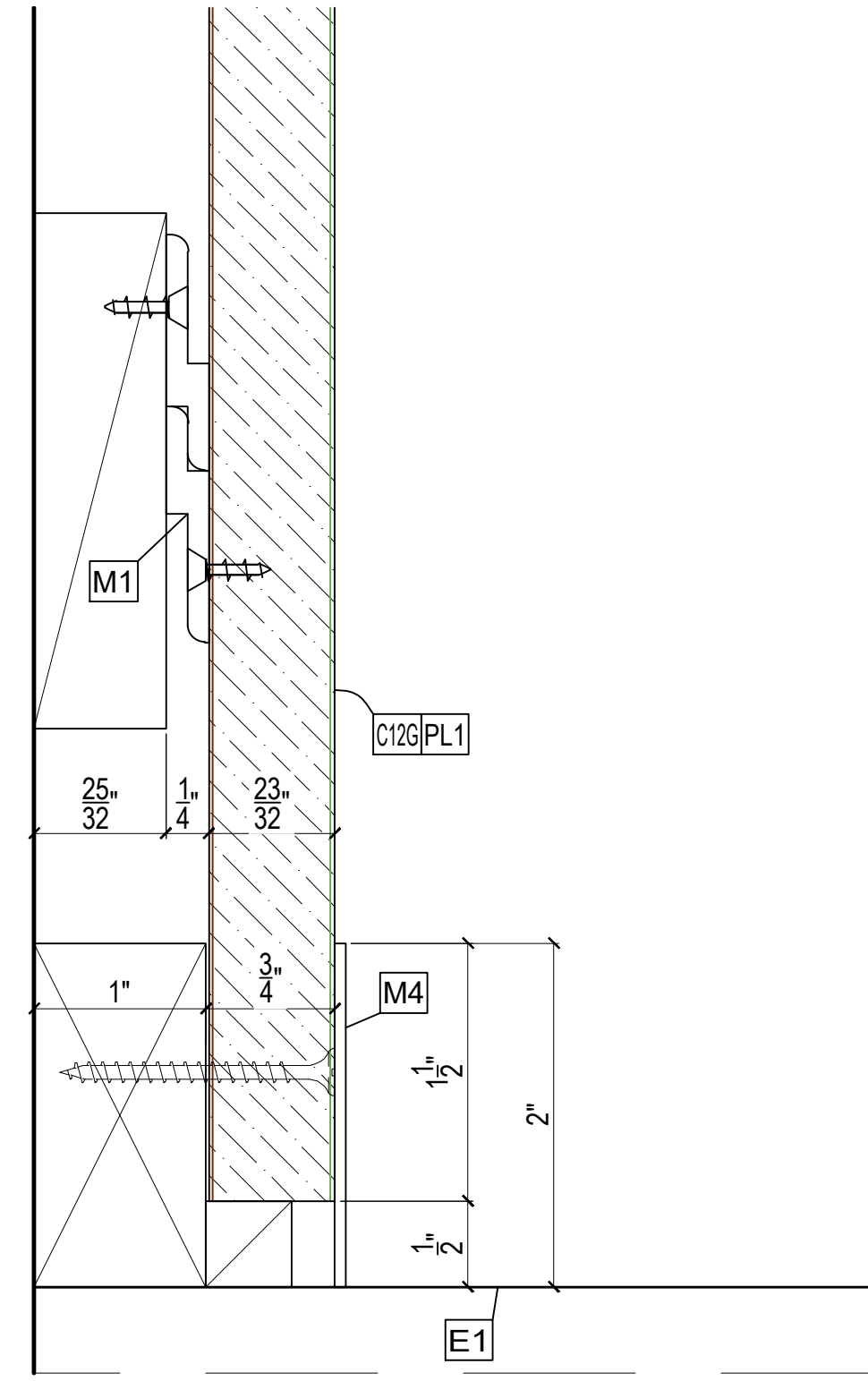
**D18**  
1.6  
SCALE: 1'-0"=1'-0" REF: 8/A-900.00



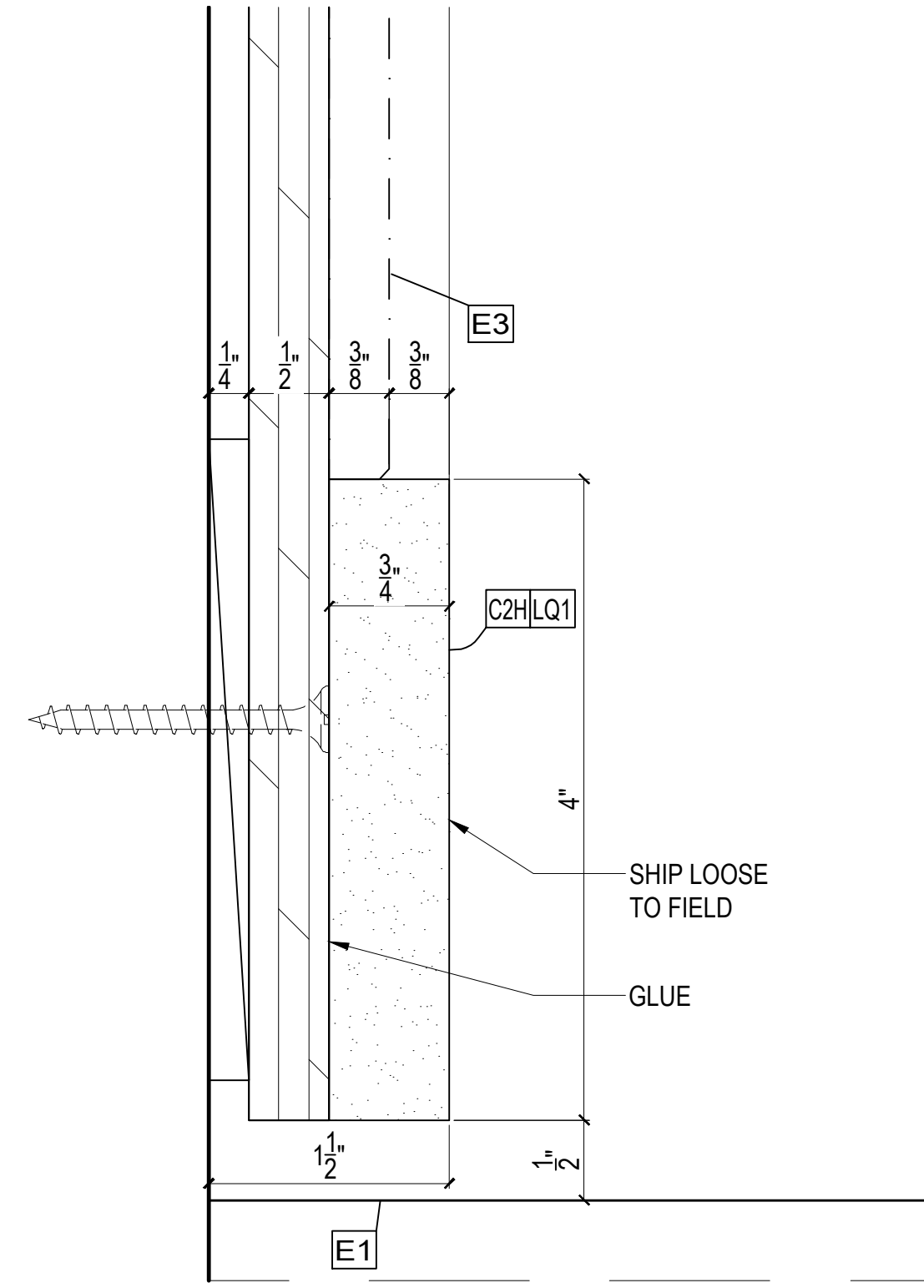
**D20**  
1.6  
SCALE: 1'-0"=1'-0" REF: 8/A-900.00



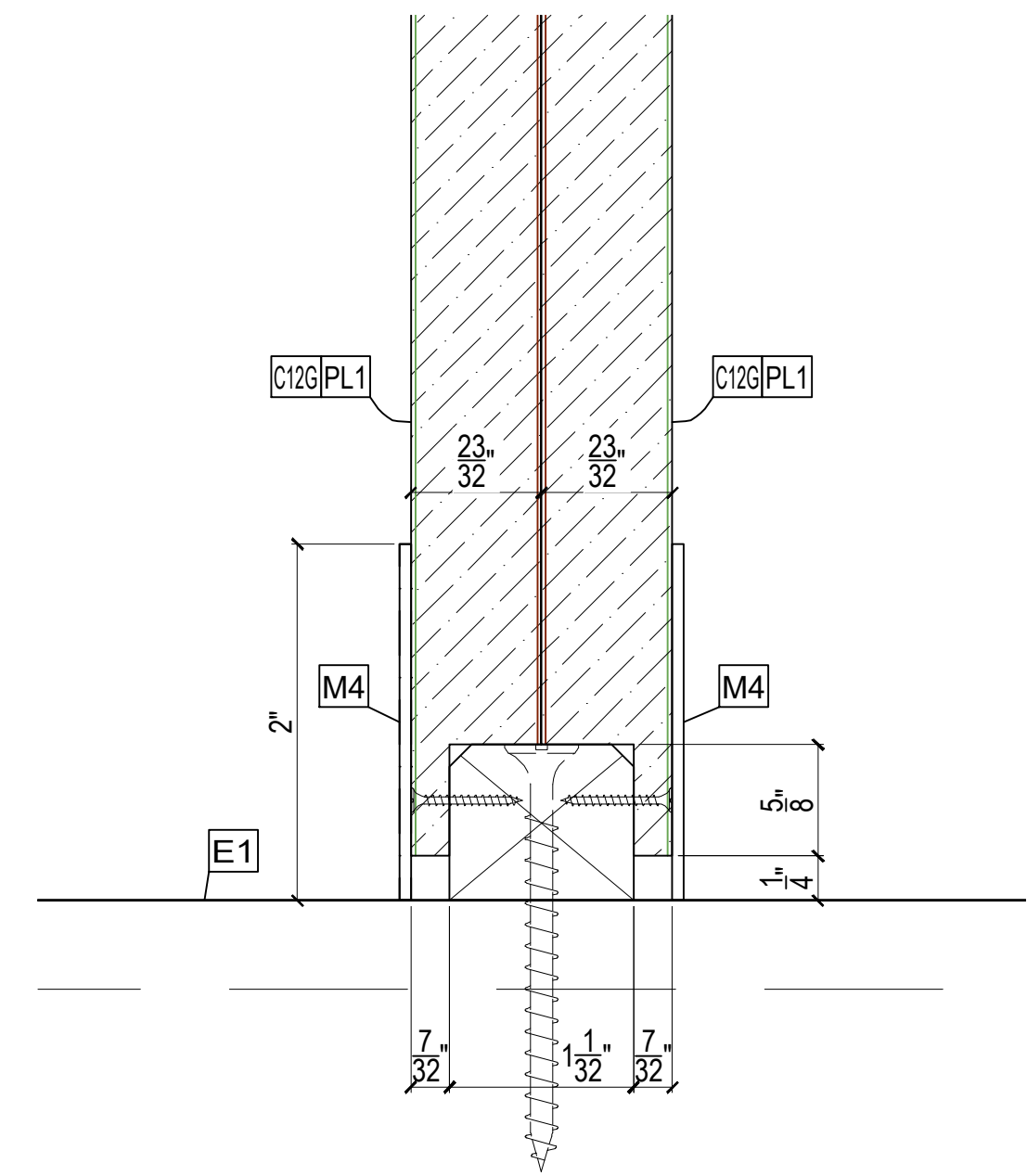
**D21**  
1.6  
SCALE: 1'-0"=1'-0" REF: 5/A-900.00



**D17**  
1.6  
SCALE: 1'-0"=1'-0" REF:



**D19**  
1.6  
SCALE: 1'-0"=1'-0" REF: 8/A-900.00



**D22**  
1.6  
SCALE: 1'-0"=1'-0" REF: N/A

LEED  FSC  NAUF  FIRE RATED

**MATERIAL DESCRIPTIONS:**

FINISH / WOOD SPECIES:

|     |   |
|-----|---|
| LQ1 | SW 6790 - ADRIATIC SEA, FINISH OFF THE GUN HIGH GLOSS |
| -   | -   |
| -   | -   |
| -   | -   |
| -   | -   |

PLASTIC LAMINATE:

|     |  |
|-----|--|
| PL1 | FORMICA 7288-58 GINGER ROOT MAPLE, MATTE |
| PL2 | FORMICA (TBD)                            |
| -   | -  |

CORES / SUBSTRATES:

|      |                             |
|------|-----------------------------|
| C12G | 11/16" PARTICLEBOARD        |
| C1G  | 11/16" MDF                  |
| C1C  | 1/4" MDF                    |
| C36H | 3/4" WHITE MELAMINE 2 Sided |
| C39E | 1/2" WHITE MELAMINE 1 sided |
| C2H  | 3/4" MDF UV                 |
| C62C | 1/4" MADEX                  |
| C62G | 11/16" MADEX                |
| -    | -                           |
| -    | -                           |

SOLID HARDWOOD:

|    |              |
|----|--------------|
| S1 | Solid Poplar |
| -  | -            |
| -  | -            |
| -  | -            |

DOOR SLAB ASSEMBLY:

|     |  |
|-----|--|
| DS1 | (PL1) On 1-3/4" SC Door (1-11/16" PB Core, 2.3mm HDF Skin, Timberstrand & Solid WD Edge To Match Veneer) |
| -   | -  |
| -   | -  |

OTHER MATERIAL (PVC, GLASS, STONE, METAL):

|    |                            |
|----|----------------------------|
| M1 | Z-Clip, 3/8" Lift Off      |
| M2 | Metal Angle Trim           |
| M3 | Metal Angle                |
| M4 | Stainless Steel Shoe Plate |
| M5 | Alum. Angle                |
| -  | -                          |

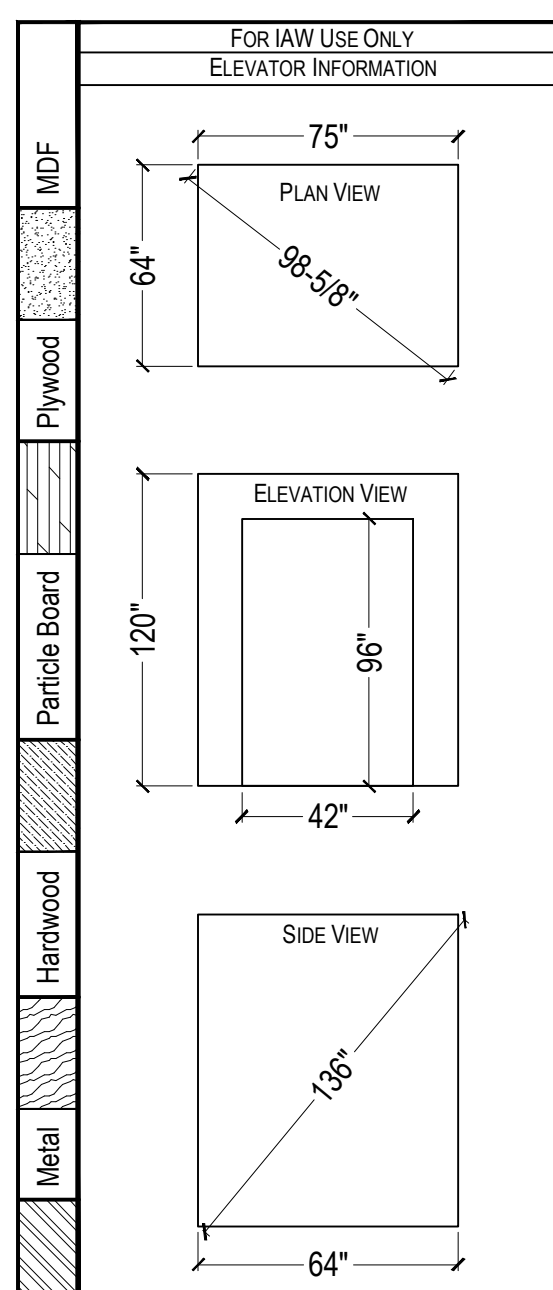
| HARDWARE: | FINISH:                           | QTY: |
|-----------|-----------------------------------|------|
| H1        | Salice #C2R9A99 (120°) S/C Hinge  | -    |
| H2        | Salice #C2R9A99 (94°) S/C Hinge   | -    |
| H3        | Salice #BARGR09 (Omm) Hinge Plate | -    |
| H4        | Coat Hook - Bobrick B-6777        | -    |
| -         | -                                 | -    |
| -         | -                                 | -    |
| -         | -                                 | -    |
| -         | -                                 | -    |
| -         | -                                 | -    |
| -         | -                                 | -    |
| -         | -                                 | -    |
| -         | -                                 | -    |
| -         | -                                 | -    |
| -         | -                                 | -    |

BY OTHERS / EXCLUSIONS:

|    |                               |     |                       |
|----|-------------------------------|-----|-----------------------|
| E1 | Slab, Floor, Wall, Ceiling    | E6  | Lavatory              |
| E2 | Wall Ceramic Tiles            | E7  | Faucet                |
| E3 | 3/8" Thk. Safety Mirror Glass | E8  | Soap Dispenser        |
| E4 | Door Hardware                 | E9  | Paper Towel Dispenser |
| E5 | 1-1/4" Thk. Stone (SS-1)      | E10 | Light Fixture         |

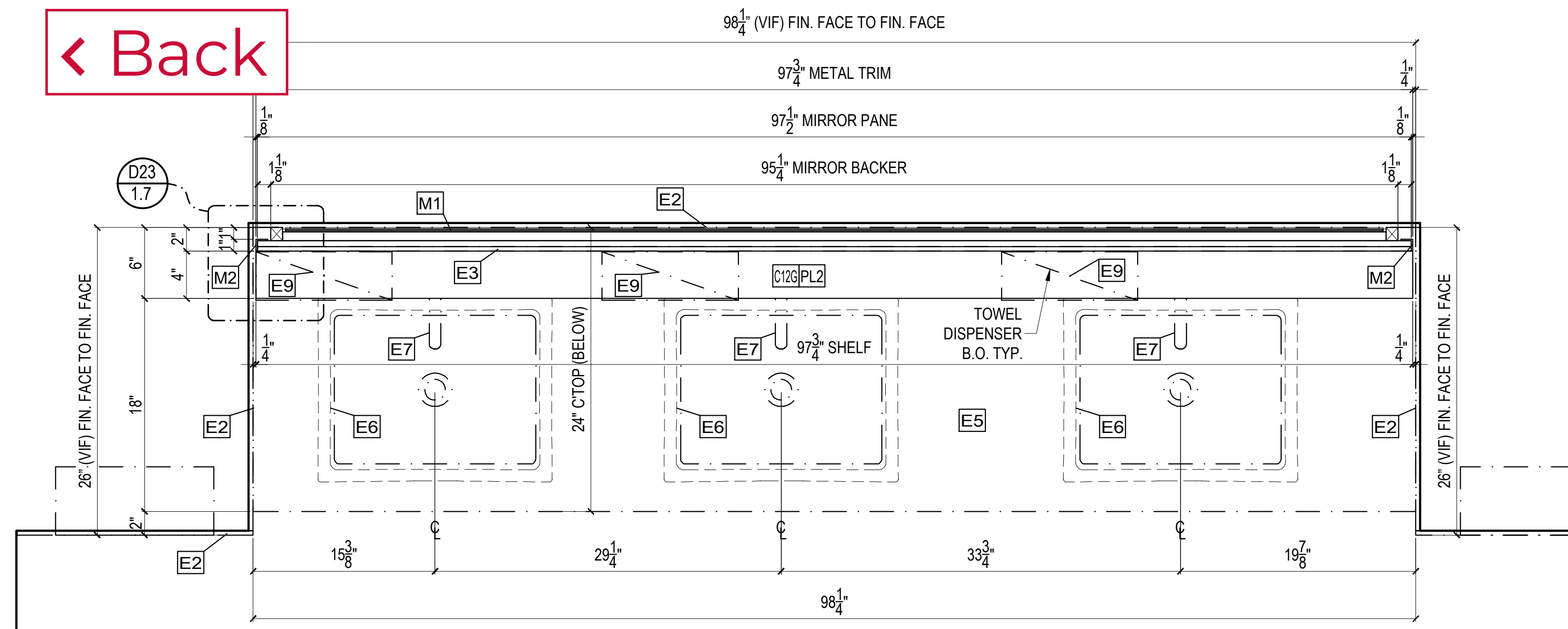
STAMP:

|        |             |     |
|--------|-------------|-----|
| DATE:  | ISSUED FOR: | BY: |
| 7.9.19 | Approval    | PD  |
| -      | -           | -   |
| -      | -           | -   |
| -      | -           | -   |

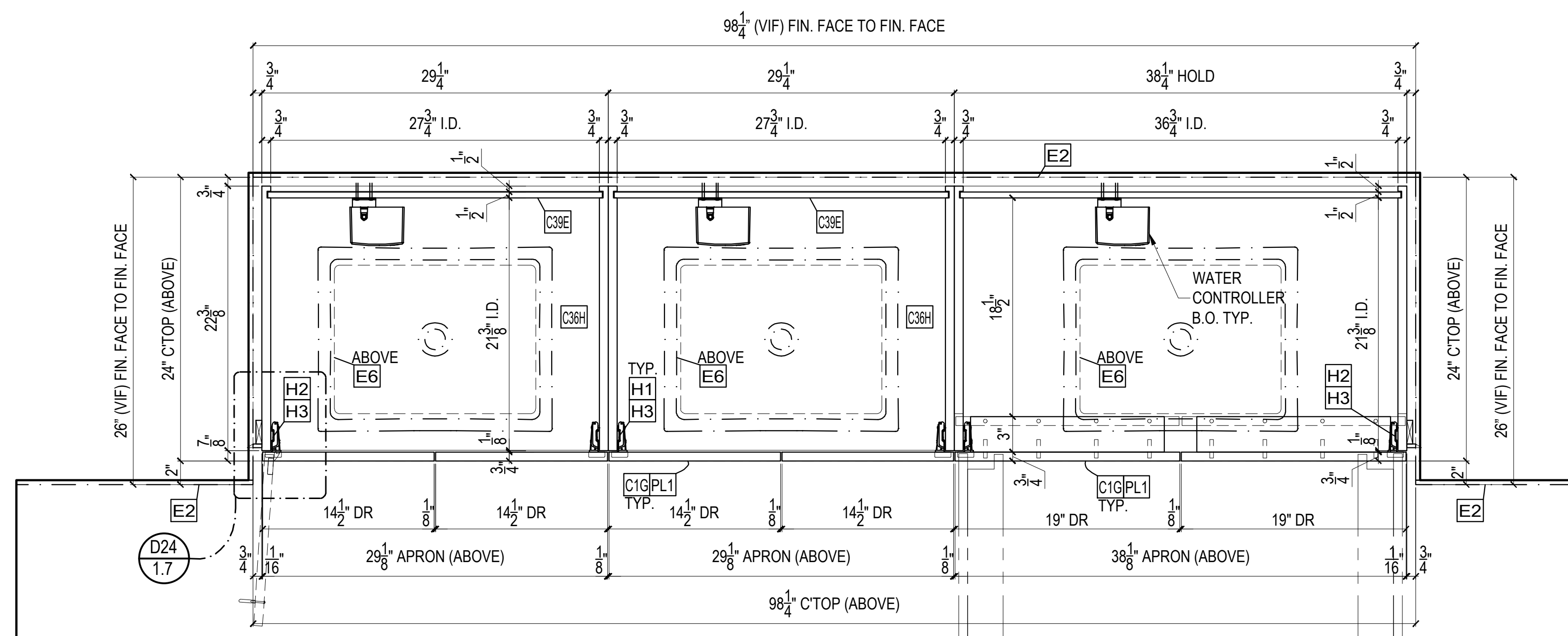


|              |     |
|--------------|-----|
| ITEM NUMBER: | 1   |
| DRAWING NO.: | 1.6 |

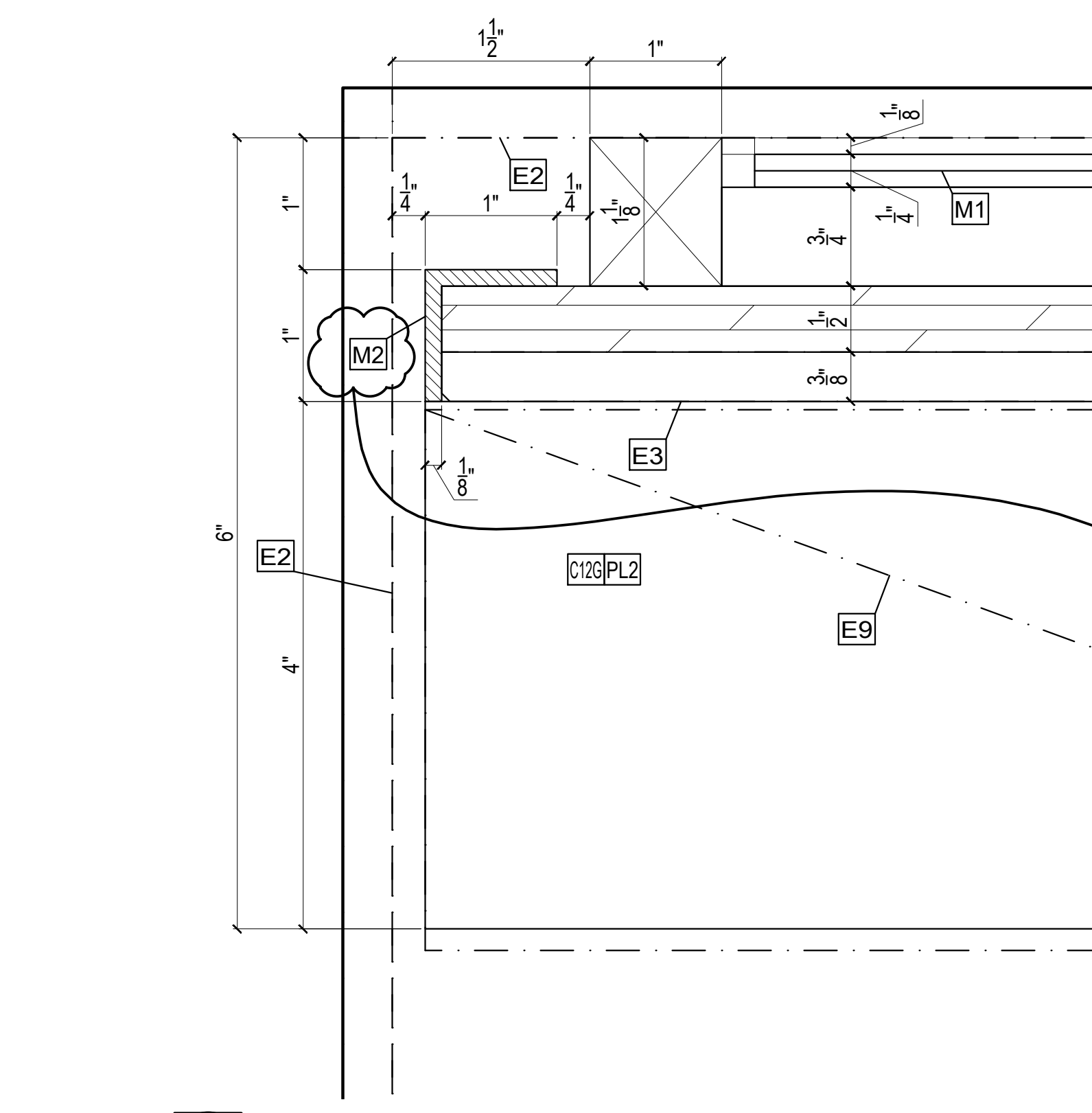
[Back](#)



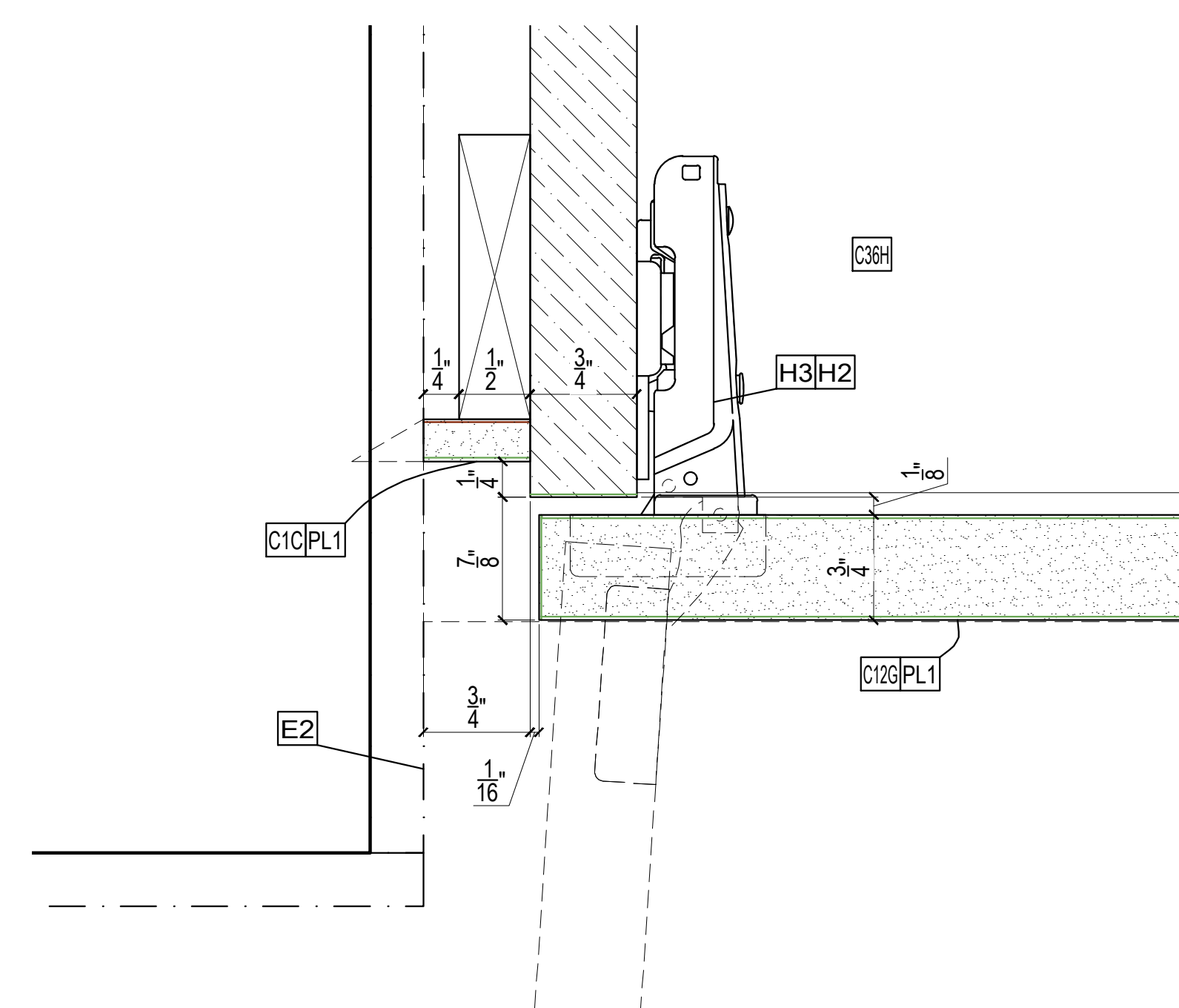
**9** **HORZ. SECT.**  
SCALE: 1-1/2"=1'-0" REF: N/A



**10** **HORZ. SECT.**  
SCALE: 1-1/2"=1'-0" REF: N/A



**D23** **DETAIL**  
SCALE: 1'-0"=1'-0" REF: N/A



**D24** **DETAIL**  
SCALE: 1'-0"=1'-0" REF: N/A

ARCHITECT PLEASE SPECIFY FINISH.

LEED FSC NAUF FIRE RATED

| MATERIAL DESCRIPTIONS:                     |  |         |                       |
|--|--|---------|-----------------------|
| FINISH / WOOD SPECIES:                     |  |         |                       |
| L01  | SW 6790 - ADRIATIC SEA, FINISH OFF THE GUN HIGH GLOSS  |         |                       |
| PLASTIC LAMINATE:                          |  |         |                       |
| PL1  | FORMICA 7288-58 GINGER ROOT MAPLE, MATTE   |         |                       |
| PL2  | FORMICA (TBD)  |         |                       |
| CORES / SUBSTRATES:                        |  |         |                       |
| C12G                                       | 11/16" PARTICLEBOARD   |         |                       |
| C1G  | 1/4" MDF   |         |                       |
| C1C  | 1/4" MDF   |         |                       |
| C39H                                       | 3/4" WHITE MELAMINE 2 Sided  |         |                       |
| C39E                                       | 1/2" WHITE MELAMINE 1 sided  |         |                       |
| C2H  | 3/4" MDF UV  |         |                       |
| C82C                                       | 1/4" MADEX   |         |                       |
| C82G                                       | 11/16" MADEX   |         |                       |
| SOLID HARDWOOD:                            |  |         |                       |
| S1   | Solid Poplar   |         |                       |
| DOOR SLAB ASSEMBLY:                        |  |         |                       |
| DS1  | (PL1) On 1-3/4" SC Door (1-11/16" PB Core, 2.3mm HDF Skin, Timberstrand & Solid WD Edge To Match Veneer) |         |                       |
| OTHER MATERIAL (PVC, GLASS, STONE, METAL): |  |         |                       |
| M1   | Z-Clip, 3/8" x 1/8"  |         |                       |
| M2   | Metal Angle Trim   |         |                       |
| M3   | Metal Angle  |         |                       |
| M4   | Stainless Steel Shoe Plate   |         |                       |
| M5   | Alum. Angle  |         |                       |
| HARDWARE:                                  |  |         |                       |
| H1   | Salice #C2RBA99 (120") S/C Hinge   | FINISH: | QTY:                  |
| H2   | Salice #C2RBA99 (94") S/C Hinge  | -       | -                     |
| H3   | Salice #BARGR09 (Omm) Hinge Plate  | -       | -                     |
| H4   | Coat Hook - Bobrick B-6777   | -       | -                     |
| BY OTHERS / EXCLUSIONS:                    |  |         |                       |
| E1   | Slab, Floor, Wall, Ceiling   | E6      | Lavatory              |
| E2   | Wall Ceramic Tiles   | E7      | Faucet                |
| E3   | 3/8" Thk. Safety Mirror Glass  | E8      | Soap Dispenser        |
| E4   | Door Hardware  | E9      | Paper Towel Dispenser |
| E5   | 1-1/4" Thk. Stone (SS-1)   | E10     | Light Fixture         |
| STAMP:                                     |  |         |                       |
| DATE:                                      | ISSUED FOR:  | BY:     |                       |
| 7.9.19                                     | Approval   | PD      |                       |

| FOR LAW USE ONLY<br>ELEVATOR INFORMATION |                                    |
|--|------------------------------------|
| MDF                                      | PLAN VIEW<br>75" x 64" x 98-5/8"   |
| Plywood                                  | ELEVATION VIEW<br>120" x 42" x 96" |
| Particle Board                           | SIDE VIEW<br>64" x 136"            |
| Hardwood                                 |                                    |
| Metal                                    |                                    |

|             |                           |
|-------------|---------------------------|
| JOB NUMBER: | ITEM NUMBER:<br><b>1</b>  |
|             | DRAWING NO.<br><b>1.7</b> |



