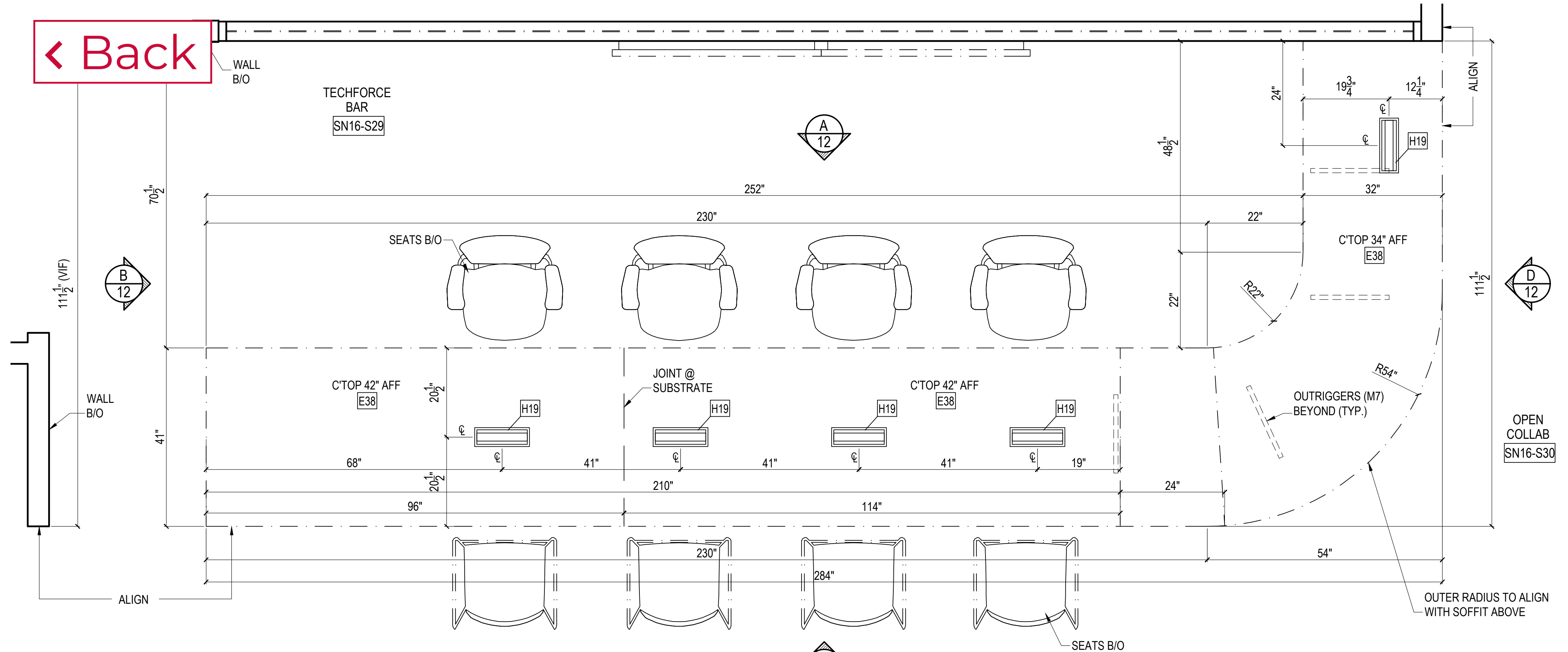
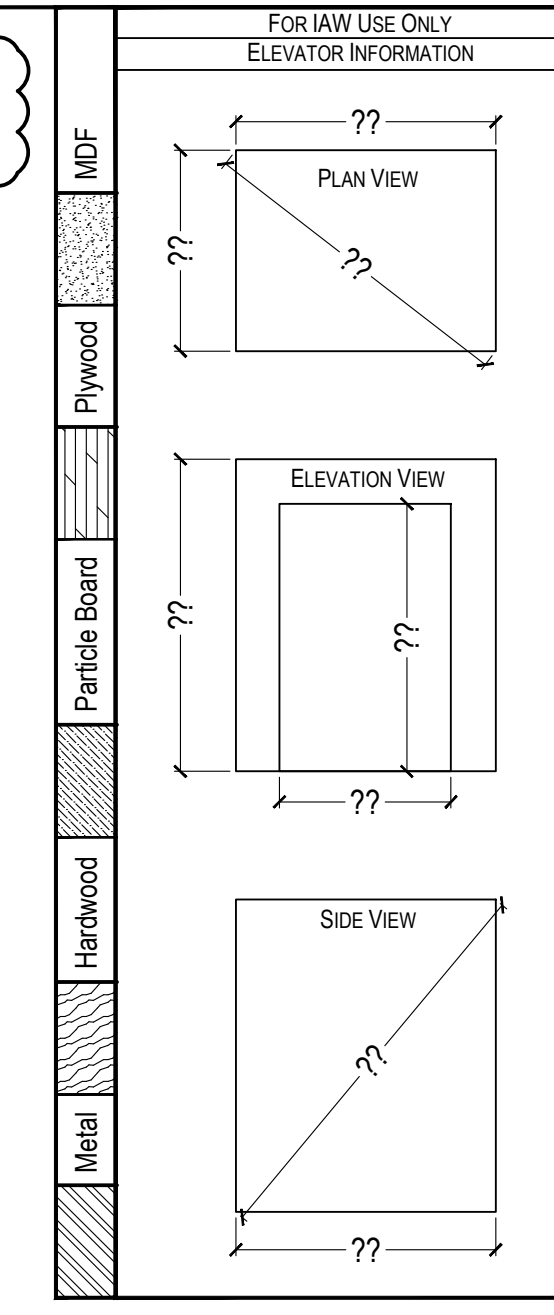


**< Back**



**12 PLAN @ TECHFORCE BAR #SN16-S29**  
 SCALE: 3/4"=1'-0" REF: 3/A-704.00

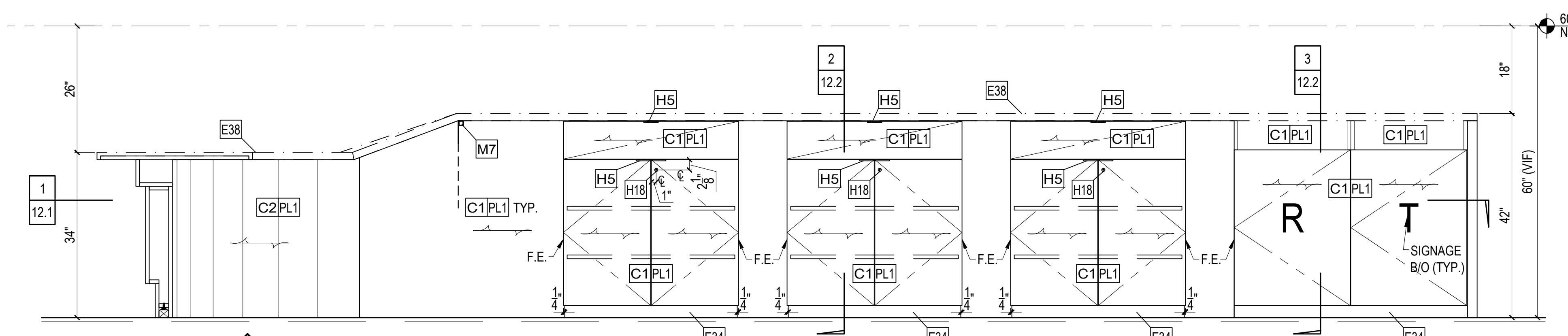
ARCHITECT PLEASE VERIFY ALL GRAIN DIRECTIONS



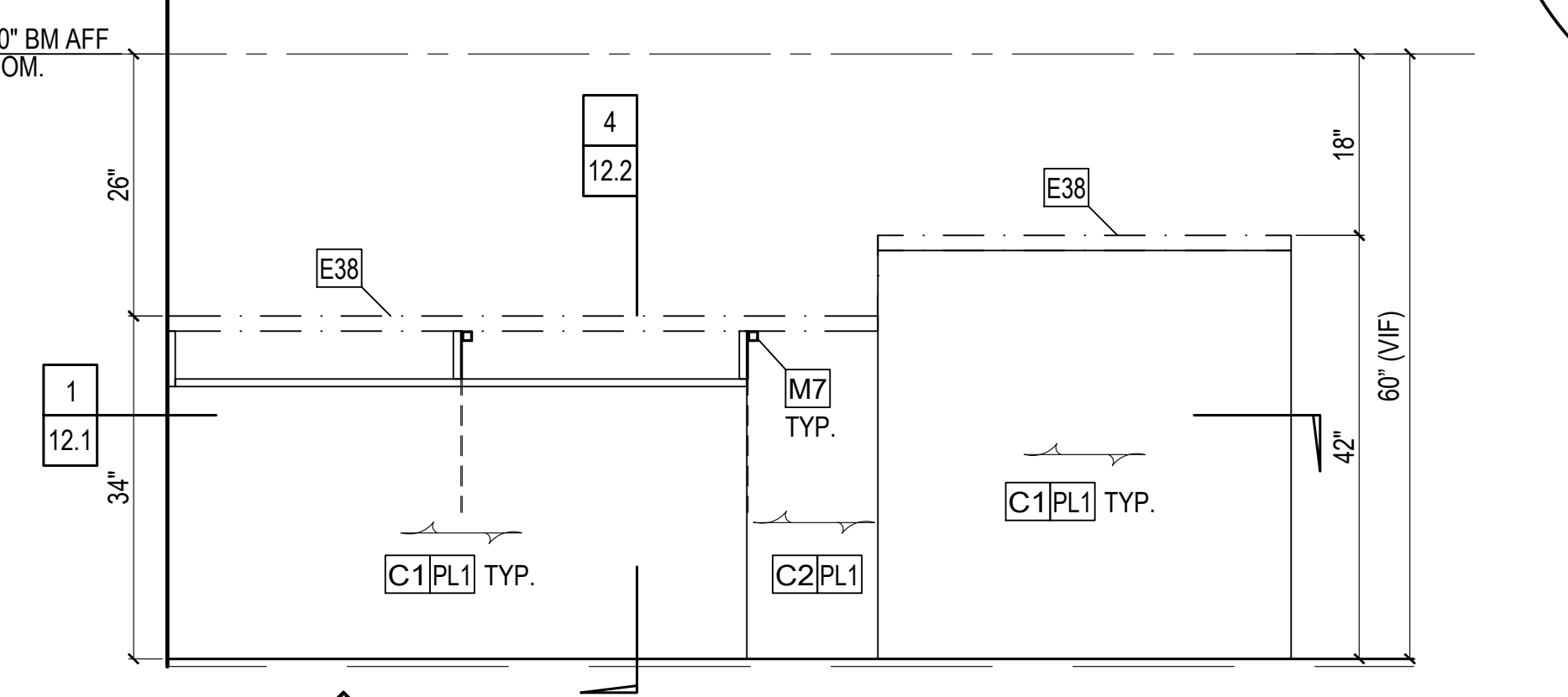
FOR LAW USE ONLY ELEVATOR INFORMATION			
<input checked="" type="checkbox"/> LEED	<input checked="" type="checkbox"/> FSC		
<input checked="" type="checkbox"/> NAUF	<input type="checkbox"/> FIRE RATED		
MATERIAL DESCRIPTIONS:			
FINISH / WOOD SPECIES:			
WD1	-		
-	-		
-	-		
-	-		
-	-		
PLASTIC LAMINATE:			
PL1	Formica #8849-68, "Natural Teak" Matte		
-	-		
-	-		
CORES / SUBSTRATES:			
C1	11_16PB NAUF/FSC		
C2	1_4MDF NAUF/FSC		
C3	1_2Black Melamine NAUF/FSC		
C4	3_4Black Melamine NAUF/FSC		
C5	3_4Plywood NAUF/FSC		
C6	1_2Plywood PF Maple NAUF/FSC		
C9	1_2PB NAUF/FSC		
-	-		
-	-		
SOLID HARDWOOD:			
S1	-		
-	-		
-	-		
-	-		
DOOR SLAB ASSEMBLY:			
DS1	-		
-	-		
-	-		
-	-		
OTHER MATERIAL (PVC, GLASS, STONE, METAL):			
M1	Metal Angle		
M2	PVC To Match PL1 (EdgeCo #7700)		
M7	Outrigger 18"		
-	-		
-	-		
-	-		
HARDWARE:			
H#	DESCRIPTION	FINISH:	QTY:
H1	Salice #C2R8A99 (120") S/C Hinge	-	20
H3	Salice #BARGR09 (Omm) Hinge Plate	-	20
H4	5mm Dia. Shelf Pins, US 26	-	24
H5	Pulls, Doug Mockett DP3A	-	9
H10A	Drawer Slide, Accuride #3832, 12"	-	3 Pairs
H15	Tight Chute	-	4
H16	Trash Bin	-	4
H17	Adjustable Leveler	-	4
H18	Timberline Double Door Lock CB-250	-	3
H19	Doug Mockett Metal Grommet MAX7-94	-	5
-	-	-	-
-	-	-	-
BY OTHERS / EXCLUSIONS:			
E1	Slab, Floor, Wall, Ceiling	E40	Granger Hook 4CRV2
E34	Rubber Base	-	-
E35	Metal Base (MTL-01)	-	-
E36	Foot Rest MTL-01 Finish	-	-
E38	Stone Ctop	-	-
STAMP:			
DATE:	ISSUED FOR:	BY:	
6.12.19	Approval	PD	
-	-	-	-
-	-	-	-
-	-	-	-
-	-	-	-

ARCHITECT PLEASE SPECIFY MODEL & MANUFACTURER OF TRASH BIN

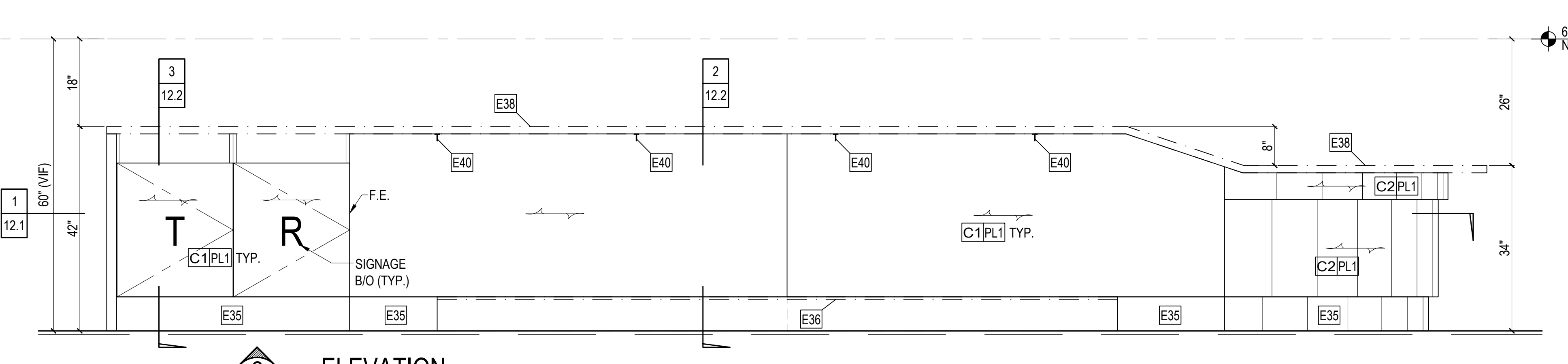
ARCHITECT PLEASE VERIFY MODEL & MANUFACTURER OF CABINET LOCK



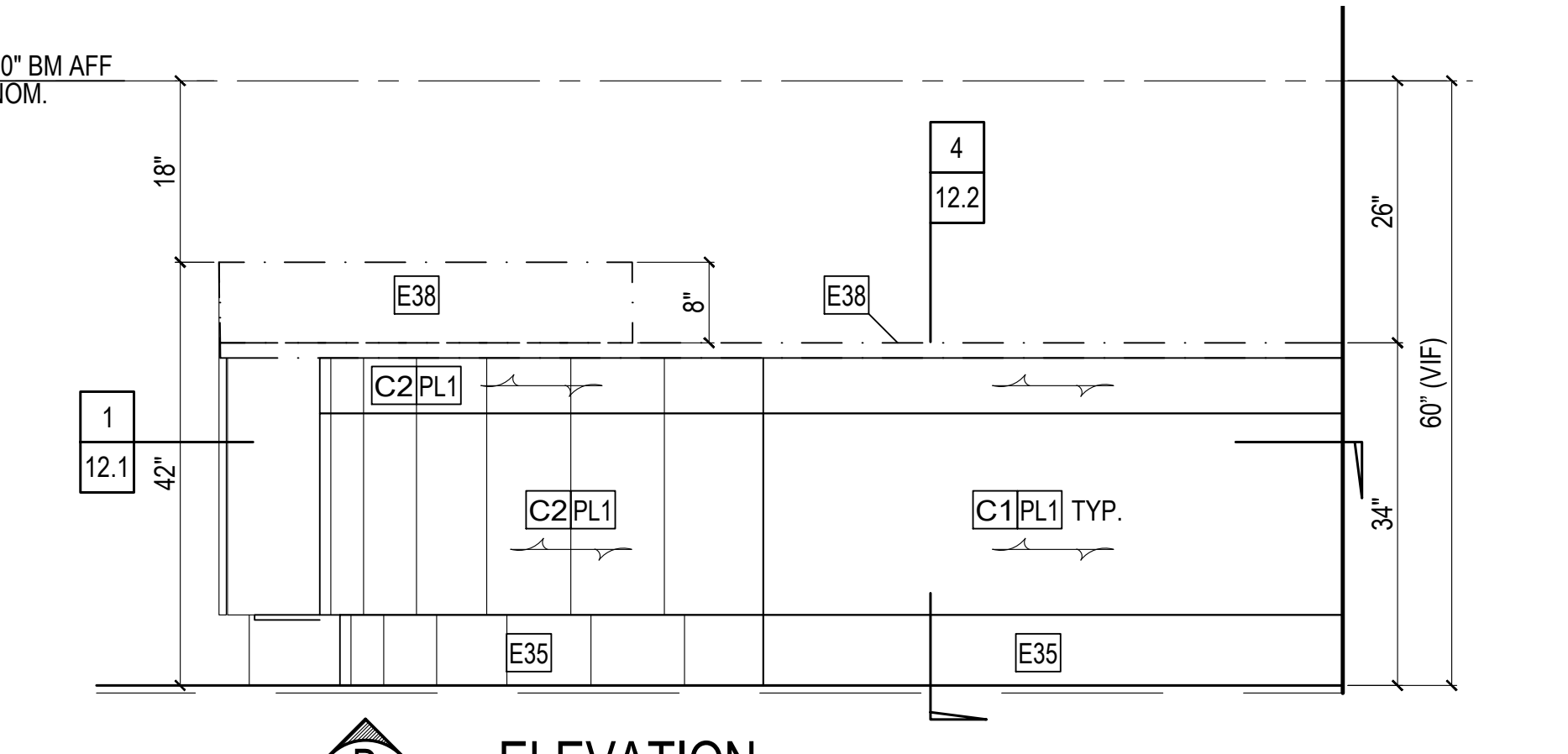
**A ELEVATION @ TECHFORCE BAR #SN16-S29**  
 SCALE: 3/4"=1'-0" REF: 1/A-704.00



**B ELEVATION @ TECHFORCE BAR #SN16-S29**  
 SCALE: 3/4"=1'-0" REF: NONE



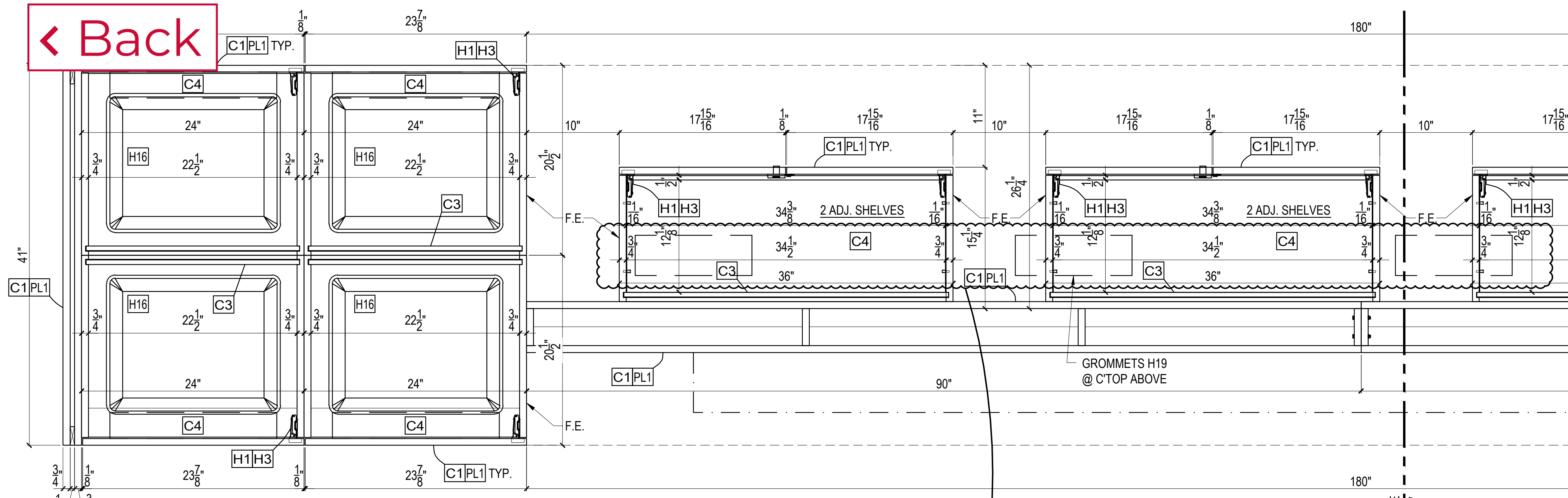
**C ELEVATION @ TECHFORCE BAR #SN16-S29**  
 SCALE: 3/4"=1'-0" REF: 2/A-704.00



**D ELEVATION @ TECHFORCE BAR #SN16-S29**  
 SCALE: 3/4"=1'-0" REF: NONE

DATE:	ISSUED FOR:	BY:
6.12.19	Approval	PD
-	-	-
-	-	-
-	-	-
-	-	-
ITEM NUMBER:	<b>12</b>	
JOB NUMBER:	DRAWING NO. <b>12</b>	

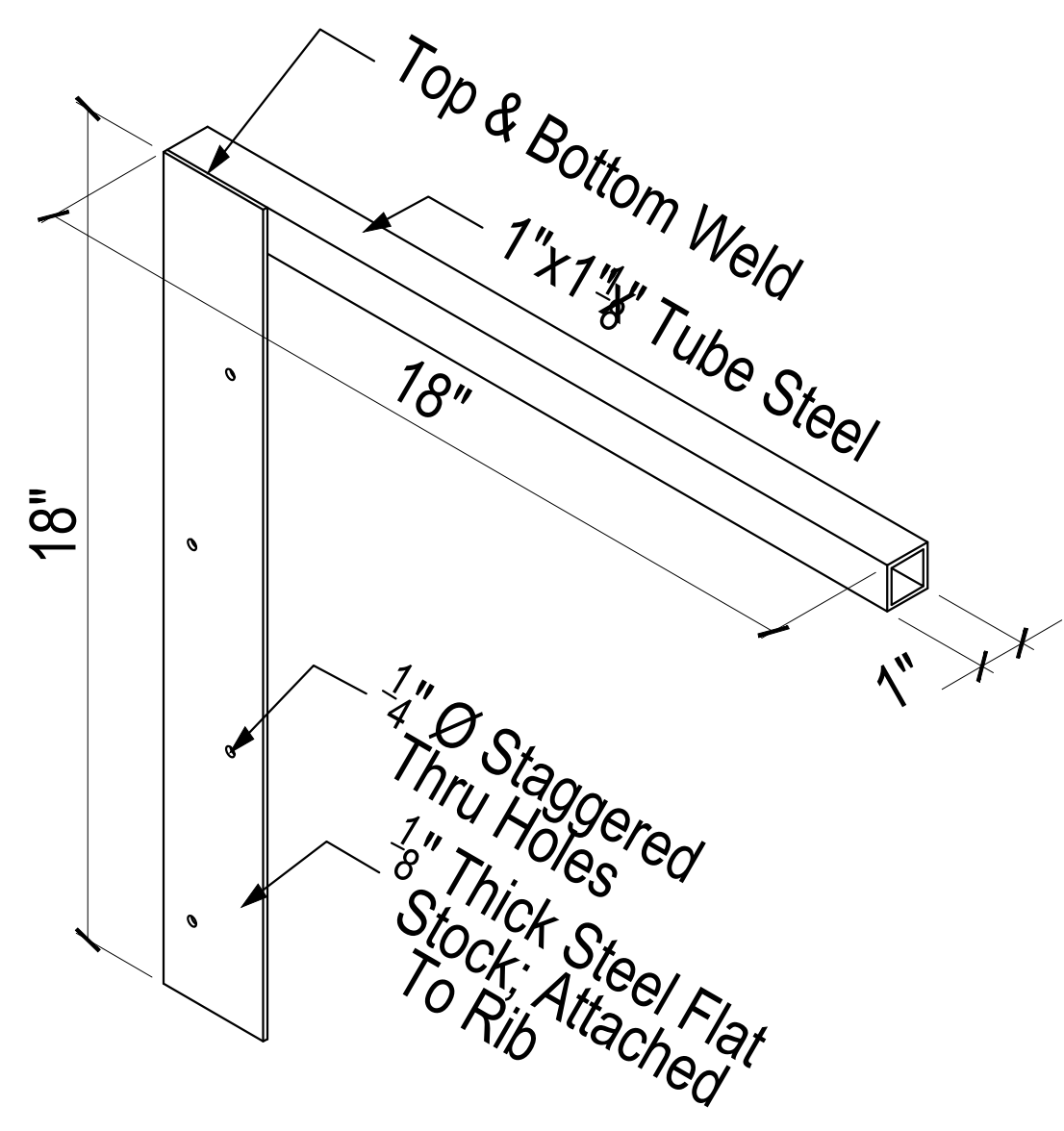
[← Back](#)



**1** HORZ. SECT.  
**12.1** SCALE: 1-1/2"=1'-0" REF: N/A

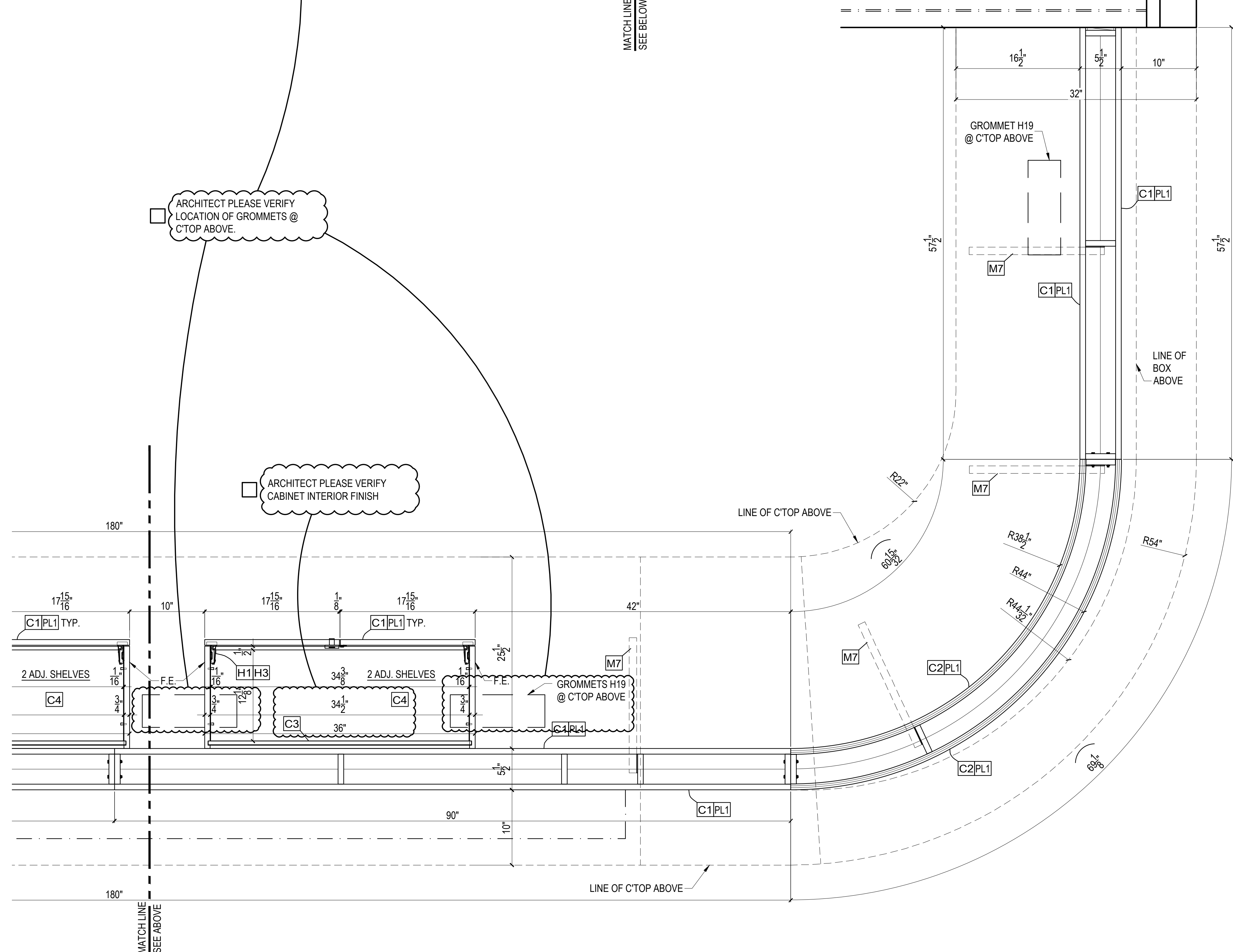
ARCHITECT PLEASE VERIFY LOCATION OF GROMMETS @ C'TOP ABOVE.

ARCHITECT PLEASE VERIFY CABINET INTERIOR FINISH



**S1** ISOMETRIC @ M7 Outrigger  
**12.1** SCALE: NTS REF: N/A

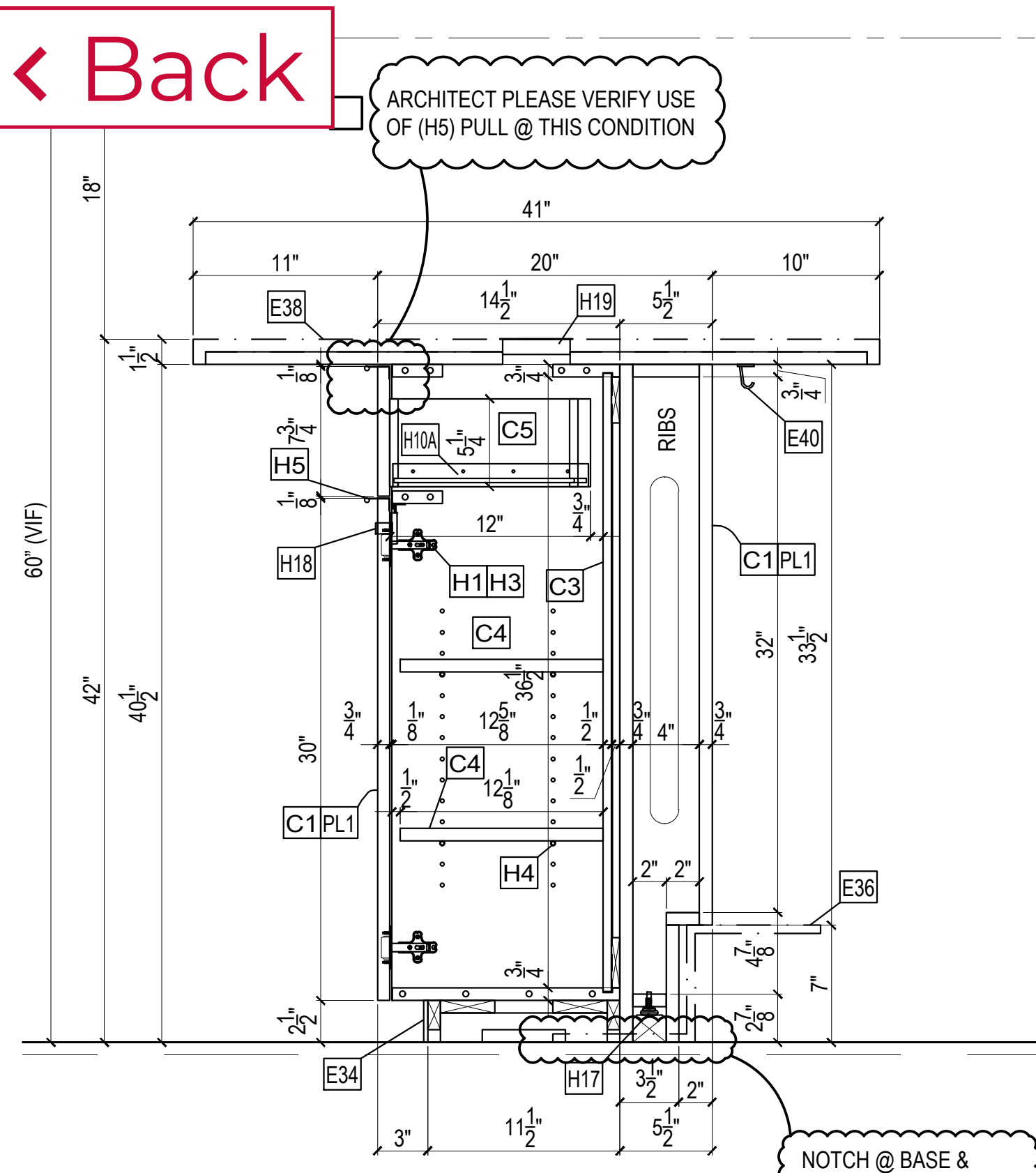
**QTY Required As Shown: 4**



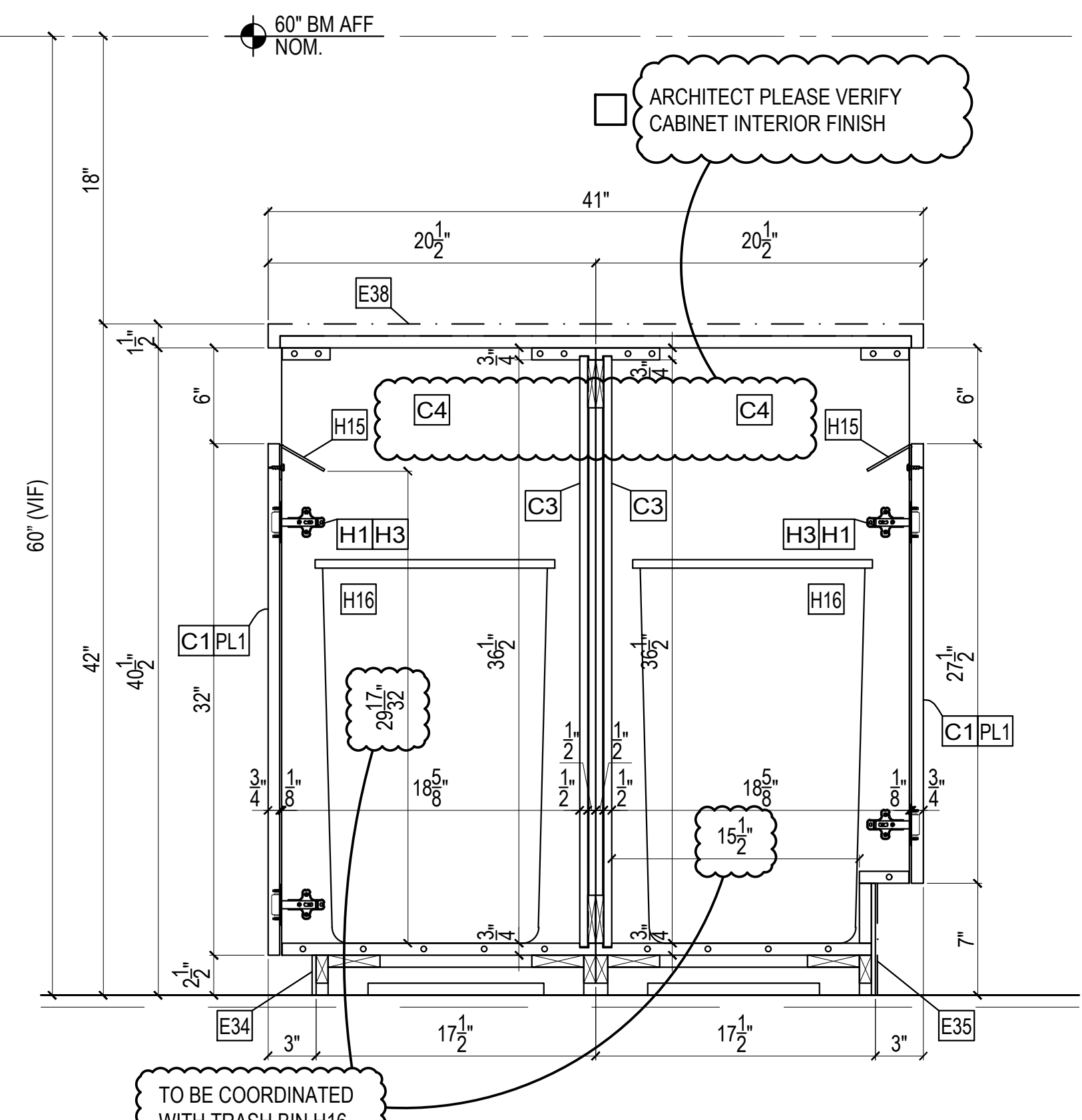
FOR LAW USE ONLY  
ELEVATOR INFORMATION

LEED	FSC	NAUF	FIRE RATED
??	??	??	??
MATERIAL DESCRIPTIONS:			
FINISH / WOOD SPECIES:			
WD1	-	-	-
-	-	-	-
-	-	-	-
-	-	-	-
-	-	-	-
PLASTIC LAMINATE:			
PL1	Formica #8849-58, "Natural Teak" Matte	-	-
-	-	-	-
-	-	-	-
CORES / SUBSTRATES:			
C1	11_16PB NAUF/FSC	-	-
C2	1_4MDF NAUF/FSC	-	-
C3	1_2Black Melamine NAUF/FSC	-	-
C4	3_4Black Melamine NAUF/FSC	-	-
C5	3_4Plywood NAUF/FSC	-	-
C6	1_2Plywood PF Maple NAUF/FSC	-	-
C9	1_2PB NAUF/FSC	-	-
-	-	-	-
-	-	-	-
SOLID HARDWOOD:			
S1	-	-	-
-	-	-	-
-	-	-	-
-	-	-	-
DOOR SLAB ASSEMBLY:			
DS1	-	-	-
-	-	-	-
-	-	-	-
-	-	-	-
OTHER MATERIAL (PVC, GLASS, STONE, METAL):			
M1	Metal Angle	-	-
M2	PVC To Match PL1 (EdgeCo #7700)	-	-
M7	Outrigger 18"	-	-
-	-	-	-
HARDWARE:			
H1	Salice #C2R9A99 (120") S/C Hinge	-	20
H3	Salice #BARGR09 (Omm) Hinge Plate	-	20
H4	5mm Dia. Shelf Pins, US 26	-	24
H5	Pulls, Doug Mockett DP3A	-	9
H10A	Drawer Slide, Accuride #3832, 12"	-	3 Pairs
H15	Trash Chute	-	4
H16	Trash Bin	-	4
H17	Adjustable Leveler	-	As Req'd
H18	Timberline Double Door Lock CB-250	-	3
H19	Doug Mockett Metal Grommet MAX7-94	-	5
-	-	-	-
-	-	-	-
BY OTHERS / EXCLUSIONS:			
E1	Slab, Floor, Wall, Ceiling	E40	Granger Hook 4CRV2
E34	Rubber Base	-	-
E35	Metal Base (MTL-01)	-	-
E36	Foot Rest MTL-01 Finish	-	-
E38	Stone C'top	-	-
STAMP:			
DATE:	ISSUED FOR:	BY:	
6.12.19	Approval	PD	
-	-	-	
-	-	-	
-	-	-	
-	-	-	
JOB NUMBER:		ITEM NUMBER:	
		12	
		DRAWING NO.	
		12.1	

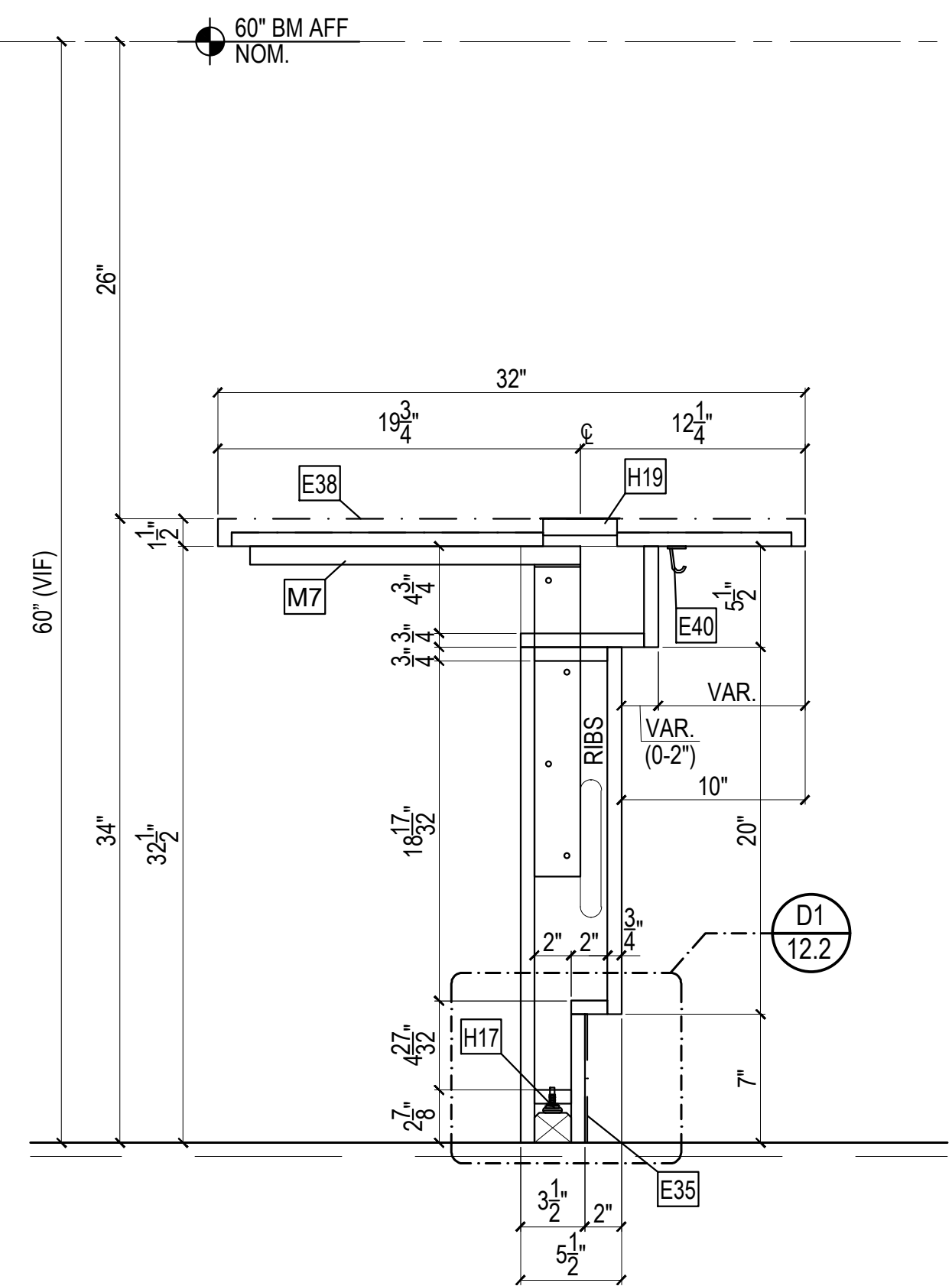
[Back](#)



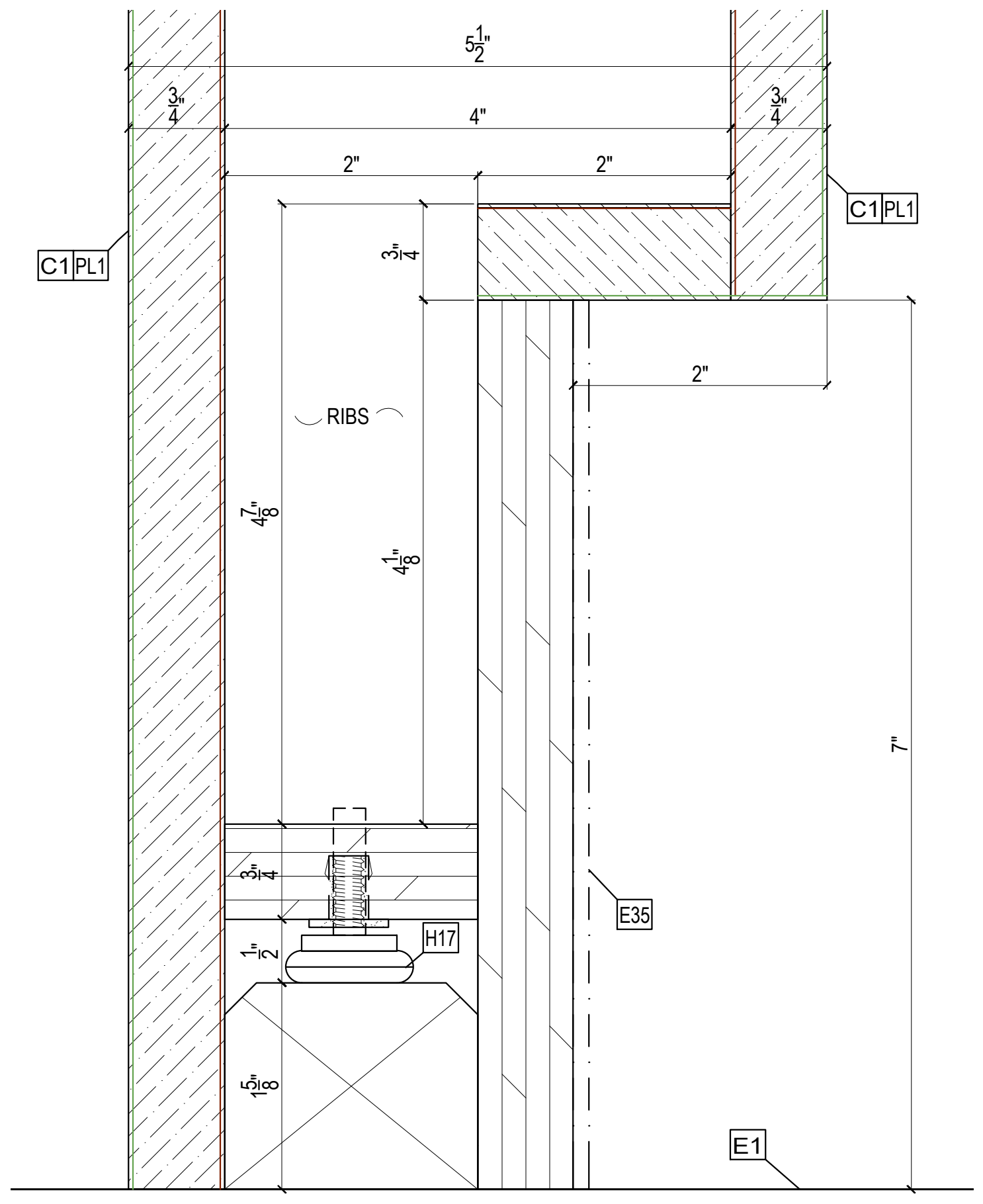
**2 VERT. SECT.**  
SCALE: 1-1/2"=1'-0" REF: 5/A-803.00



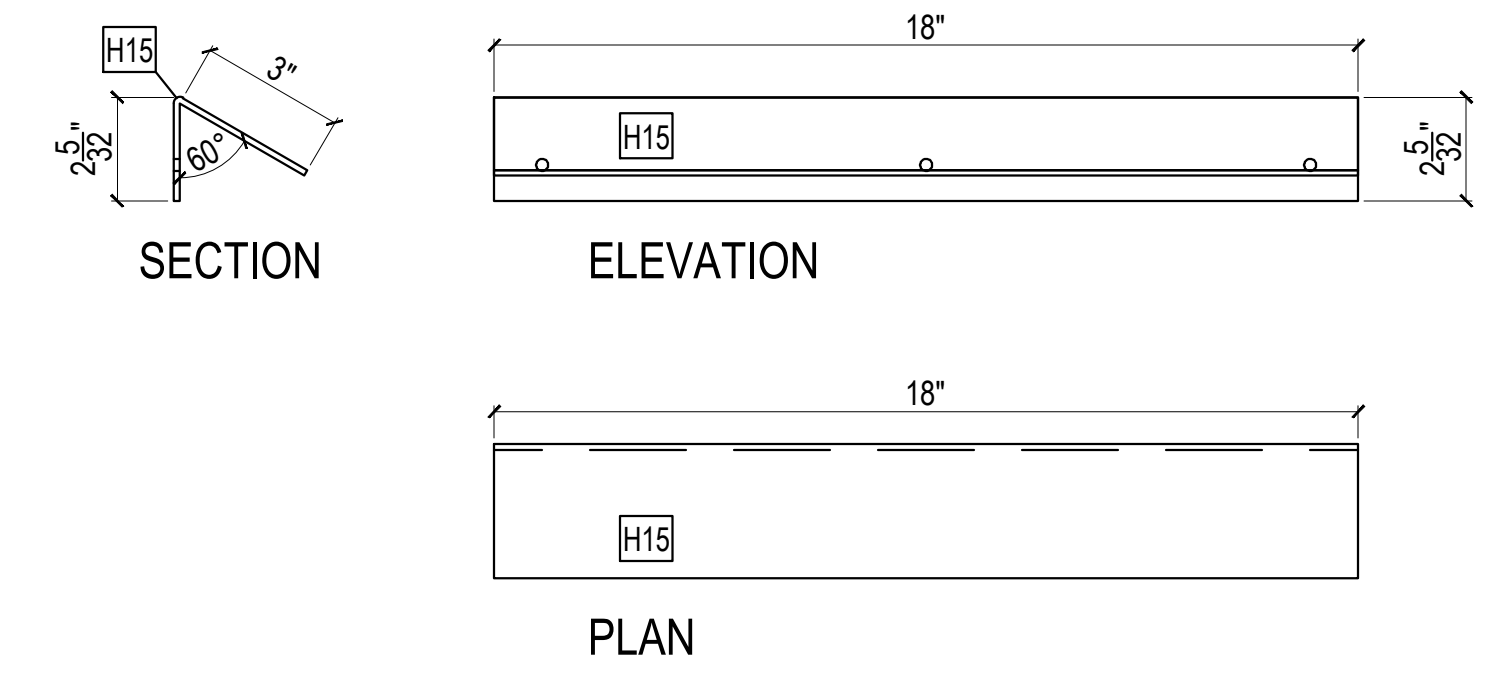
**3 VERT. SECT.**  
SCALE: 1-1/2"=1'-0" REF: 6/A-803.00



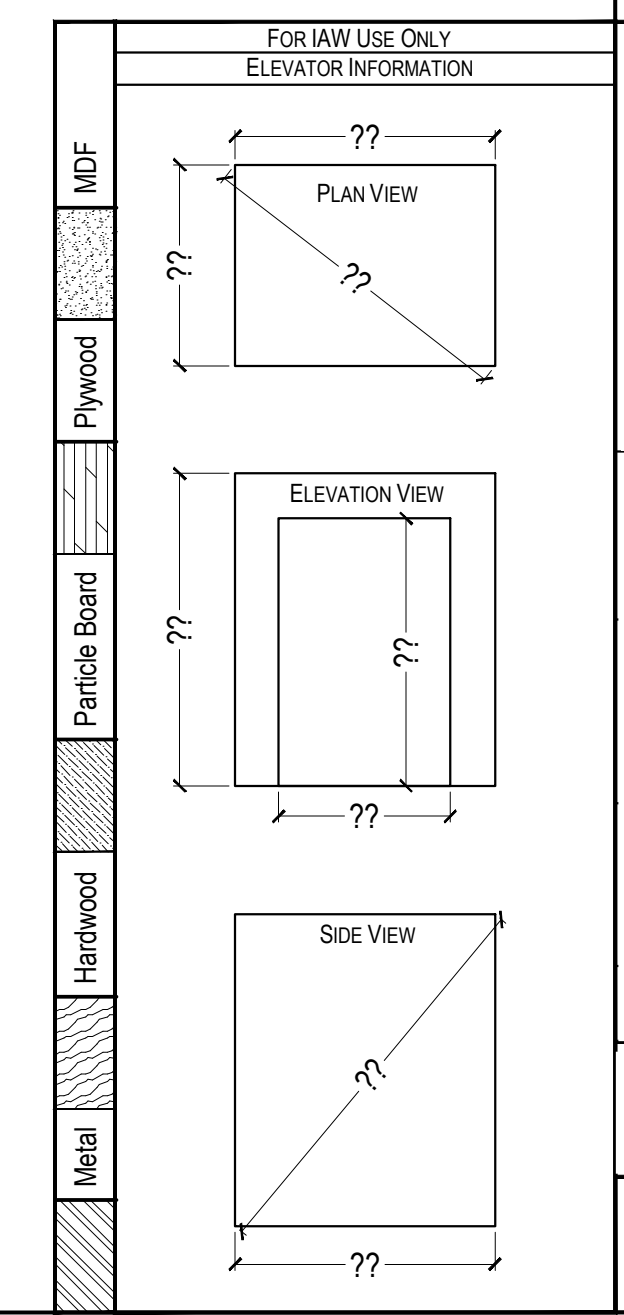
**4 VERT. SECT.**  
SCALE: 1-1/2"=1'-0" REF: 4/A-803.00



**D1 12.2 DETAIL**  
SCALE: 1'-0"=1'-0" REF: NONE



**D2 12.2 DETAIL OF TRASH CHUTE H15**  
SCALE: 1'-0"=1'-0" REF: NONE



<input checked="" type="checkbox"/> LEED	<input checked="" type="checkbox"/> FSC	<input checked="" type="checkbox"/> NAUF	<input type="checkbox"/> FIRE RATED
MATERIAL DESCRIPTIONS:			
FINISH / WOOD SPECIES:			
WD1	-	-	-
-	-	-	-
-	-	-	-
-	-	-	-
PLASTIC LAMINATE:			
PL1	Formica #8849-58, "Natural Teak" Matte	-	-
-	-	-	-
CORES / SUBSTRATES:			
C1	11_16PB NAUF/FSC	-	-
C2	1_4MDF NAUF/FSC	-	-
C3	1_2Black Melamine NAUF/FSC	-	-
C4	3_4Black Melamine NAUF/FSC	-	-
C5	3_4Plywood NAUF/FSC	-	-
C6	1_2Plywood PF Maple NAUF/FSC	-	-
C9	1_2PB NAUF/FSC	-	-
-	-	-	-
SOLID HARDWOOD:			
S1	-	-	-
-	-	-	-
-	-	-	-
-	-	-	-
DOOR SLAB ASSEMBLY:			
DS1	-	-	-
-	-	-	-
-	-	-	-
-	-	-	-
OTHER MATERIAL (PVC, GLASS, STONE, METAL):			
M1	Metal Angle	-	-
M2	PVC To Match PL1 (EdgeCo #7700)	-	-
M7	Outrigger 18"	-	-
-	-	-	-
-	-	-	-
HARDWARE:			
H1	FINISH:	QTY:	
H1	Salice #C2R9A99 (120°) S/C Hinge	-	20
H3	Salice #BARGR09 (Omm) Hinge Plate	-	20
H4	5mm Dia. Shelf Pins, US 26	-	24
H5	Pulls, Doug Mockett DP3A	-	9
H10A	Drawer Slide, Accuride #3832, 12"	-	3 Pairs
H15	Trash Chute	-	4
H16	Trash Bin	-	4
H17	Adjustable Leveler	-	As Req'd
H18	Timberline Double Door Lock CB-250	-	3
H19	Doug Mockett Metal Grommet MAX7-94	-	5
-	-	-	-
-	-	-	-
BY OTHERS / EXCLUSIONS:			
E1	Slab, Floor, Wall, Ceiling	E40	Granger Hook 4CRV2
E34	Rubber Base	-	-
E35	Metal Base (MTL-01)	-	-
E36	Foot Rest MTL-01 Finish	-	-
E38	Stone Ctop	-	-
STAMP:			
DATE:	ISSUED FOR:	BY:	
6.12.19	Approval	PD	
-	-	-	-
-	-	-	-
-	-	-	-

ITEM NUMBER:	12
JOB NUMBER:	12.2