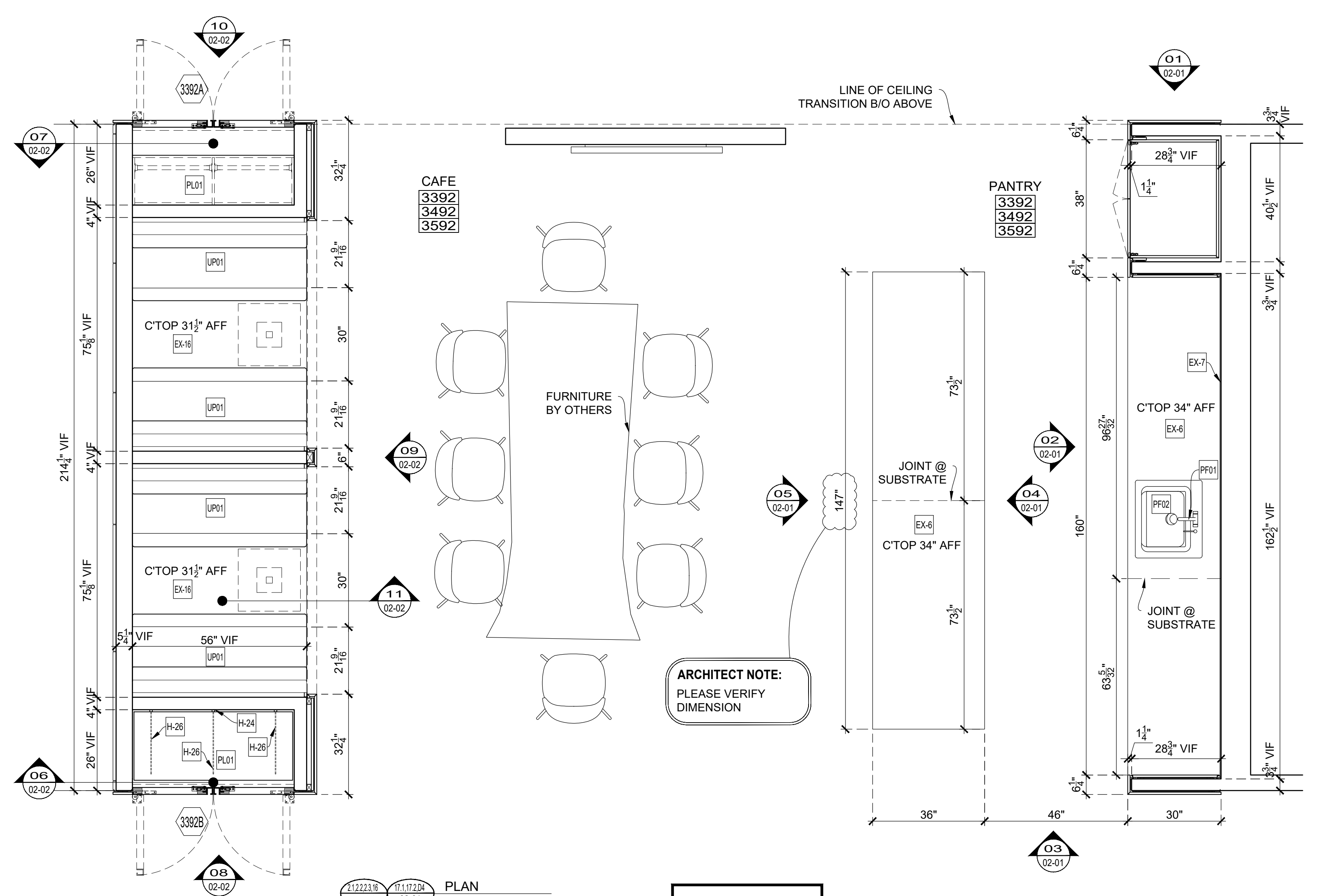
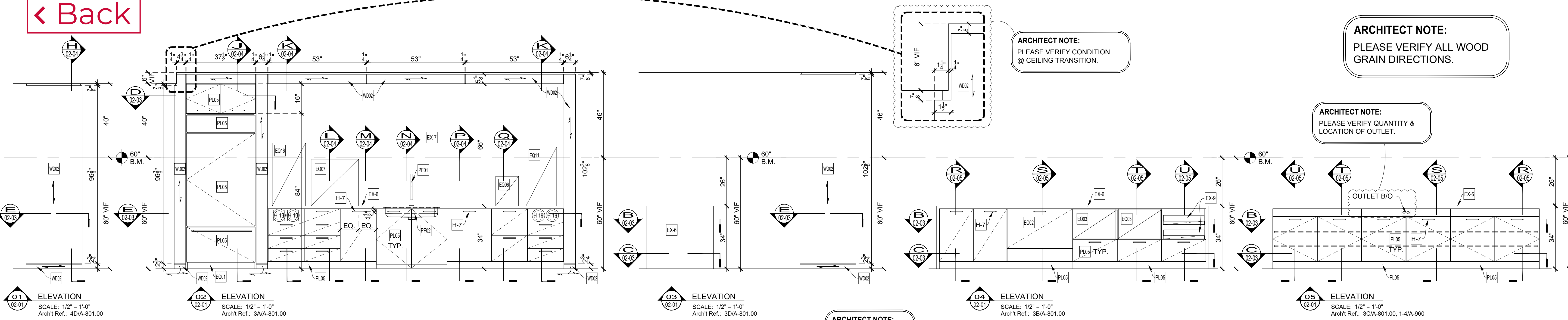


[← Back](#)



PLAN
SCALE: 1/2" = 1'-0"
Arch'l Ref.: 2A/A-801.00

TOTAL 3 LOCATIONS

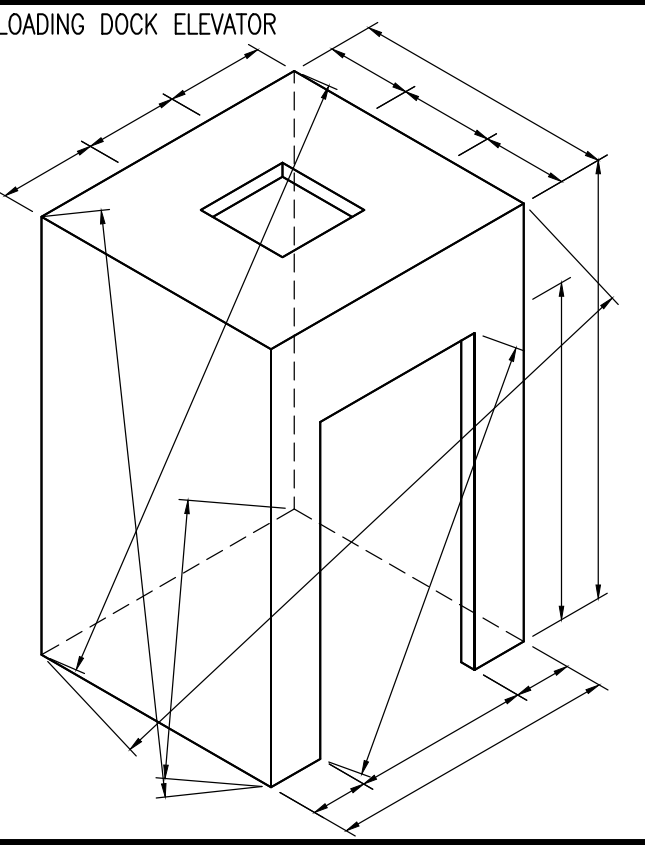
ARCHITECT NOTE:
PLEASE VERIFY ALL WOOD GRAIN DIRECTIONS.

ARCHITECT NOTE:
PLEASE VERIFY QUANTITY & LOCATION OF OUTLET.

ARCHITECT NOTE:
PLEASE VERIFY LOCATION OF PULLS.

ARCHITECT NOTE:
PLEASE PROVIDE APPROVED EQUIPMENT LIST

EQUIPMENT LIST	
FURNISHED AND INSTALLED BY OTHERS	
EQ01	REFRIGERATOR/FREEZER: SUB-ZERO #BI-36U/O D: 24" W: 36" H: 84"
EQ02	REFRIGERATOR: FISHER AND PAYKEL #RB36S25M KIW1 D: 22" W: 33 11/16" H: 25 3/16"
EQ03	MICROWAVE DRAWER: SHARP #SMD2470A S D: 23 1/64" W: 23 7/8" H: 15 7/8"
EQ04	DISHWASHER: ASKO #D5526XLF1 D: 24 5/8" W: 34 3/4" H: 23 9/16"
EQ06	WATER DISPENSER: APIQUE THE EVOLUTION OF WATER SYSTEM D: 19.2" W: 12.4" H: 16"
EQ07	COFFEE MACHINE: NESPRESSO AGUILA #220 D: 27 3/8" W: 25 5/8" H: 25 1/4"
EQ11	ICE MAKER: HOSHIZAKI #DCM-270BAH D: 24 3/16" W: 16 9/16" H: 31 7/8"
EQ16	COFFEE MACHINE: WITTENBORG #9100 D: 24" W: 18" H: 34"
EX-8	ACRYLIC TRAY D: _____ W: _____ H: _____
EX-10	LIGHT FIXTURE (F11) D: _____ W: _____ H: _____
PF01	FAUCET: HANSGRÖHE AXOR CITTERIO M 2-HOLE #34822001 D: 1 1/8" Dia W: _____ H: 16"
PF02	SINK: ELKAY LUSTERTONE #ELUHAD2115 D: 5 1/2" W: 18 1/4" H: 23 1/2"



LOADING DOCK ELEVATOR

☒ Loose to field
☒ Fixed in shop

THIS SPACE RESERVED FOR FINISH SCHEDULE

EXCLUSIONS:

EX-1	STONE COUNTERTOP
EX-2	GLASS (GL05)
EX-3	CUP DISPENSER: CARLISLE #38850GEW (SS)
EX-4	ACRYLIC TRAY
EX-5	LIGHT FIXTURE (F11)
EX-6	DOOR HARDWARE
EX-7	GLASS (GL09)
EX-8	1/8" THK ST. STL. TRIM

DRAWING SUBMITTALS AND RETURNS				
DATE	PURPOSE	TO	RETURN	RETURN STATUS

DRAWING REVISIONS			
DATE	DESCRIPTION	REVISED BY	COMMENTS
1			
2			
3			
4			
5			
6			
7			
8			
9			
10			

RELEASES FOR FABRICATION	
DATE	DESCRIPTION



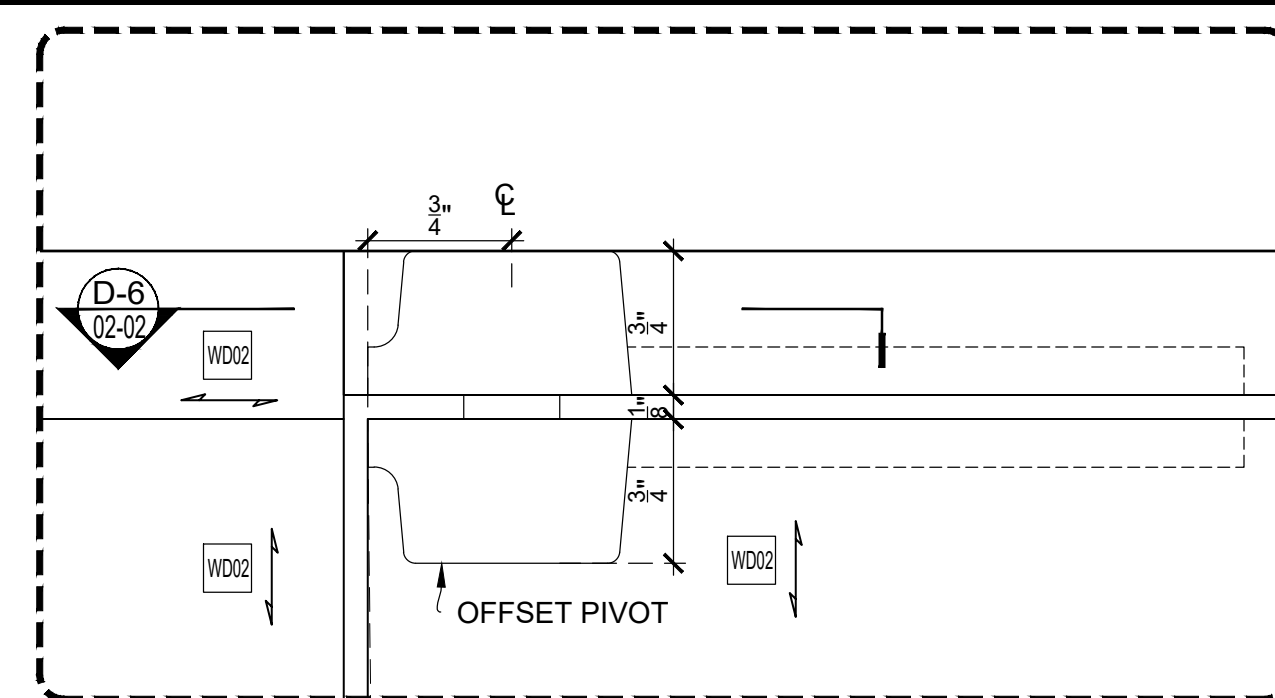
THIS SPACE RESERVED FOR HARDWARE SCHEDULE

THIS SPACE RESERVED FOR GENERAL

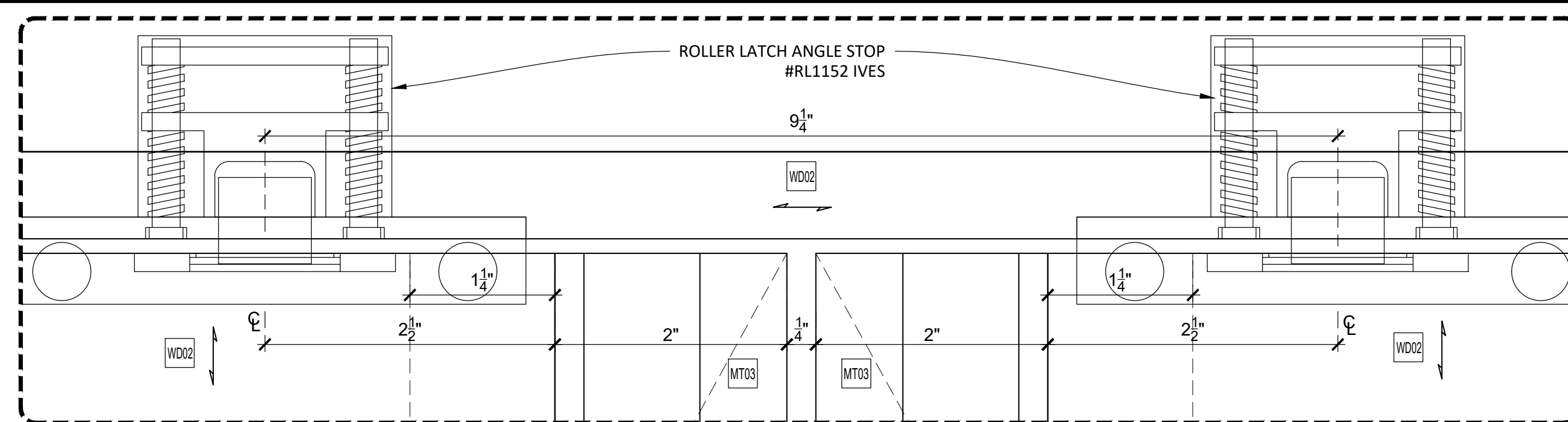
Back

PLEASE VERIFY ALL WOOD GRAIN DIRECTIONS.

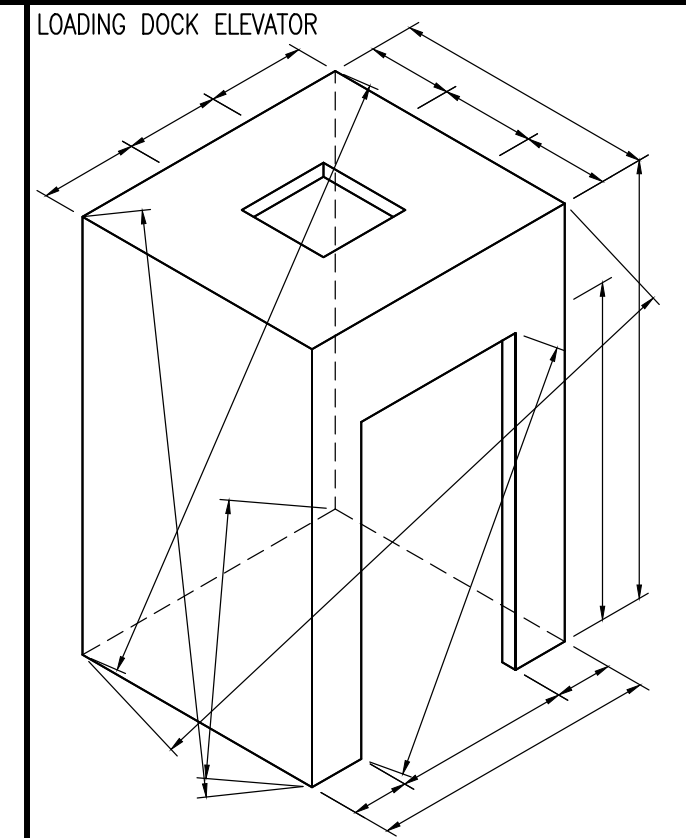
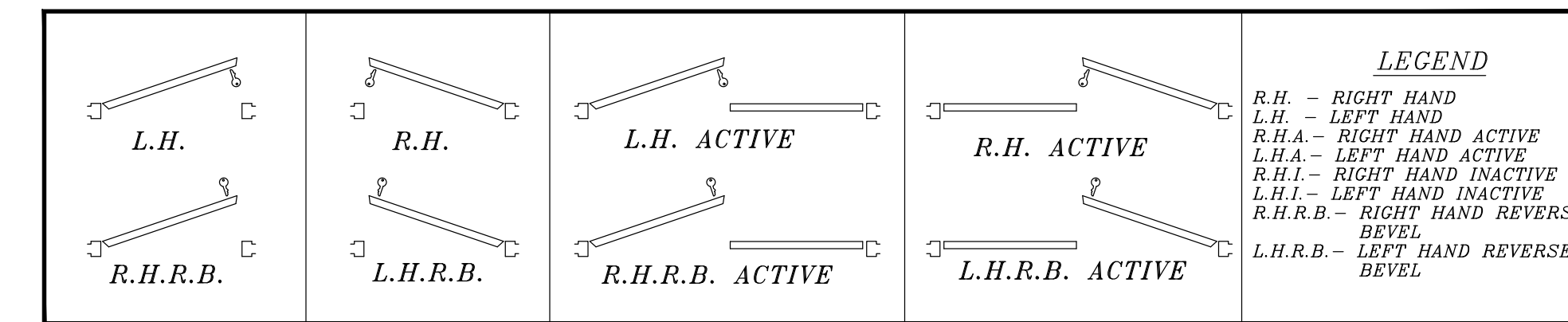
ARCHITECT NOTE:
PLEASE INDICATE IF ADA HIGH SECTION OF COAT CLOSET IS REQ'D.



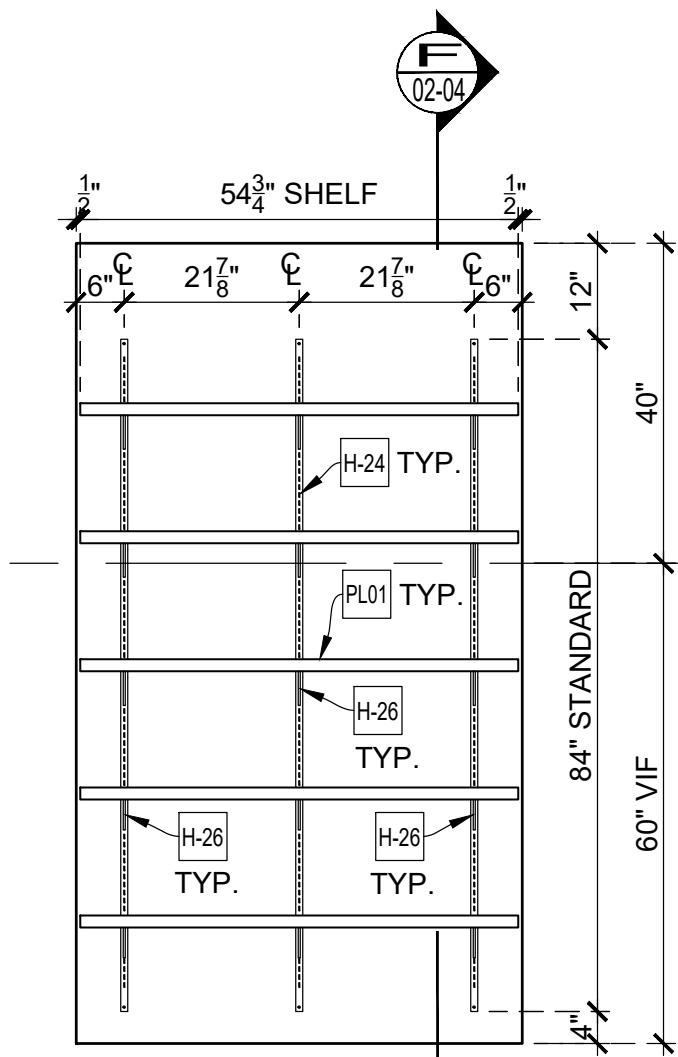
D-3 DETAIL
SCALE: FULL SCALE
Arch't Ref.:



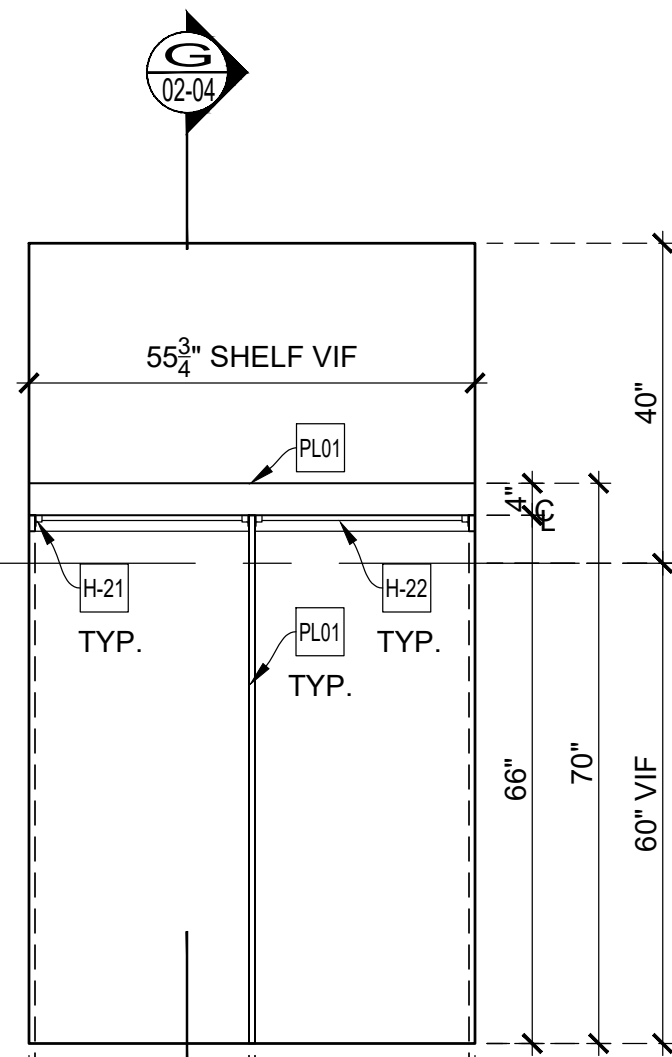
D-4 DETAIL
SCALE: FULL SCALE
Arch't Ref.:



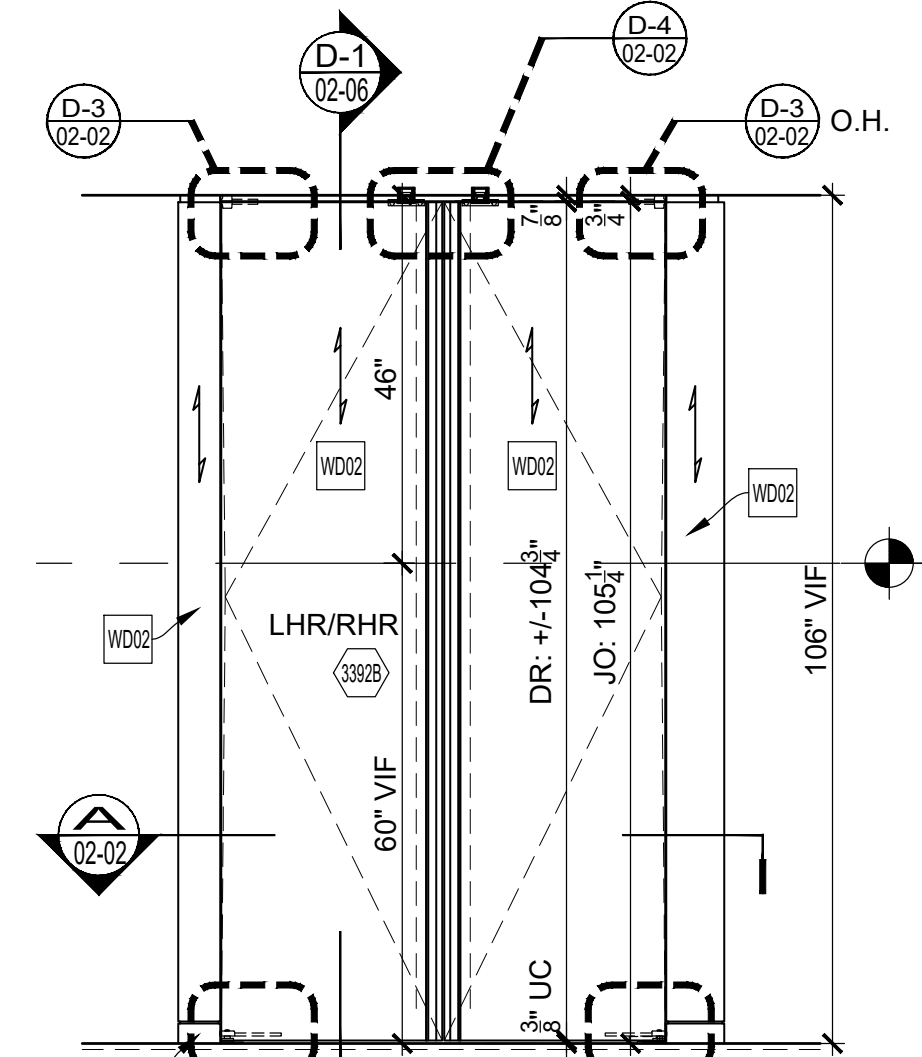
Loose to field
Fixed in shop



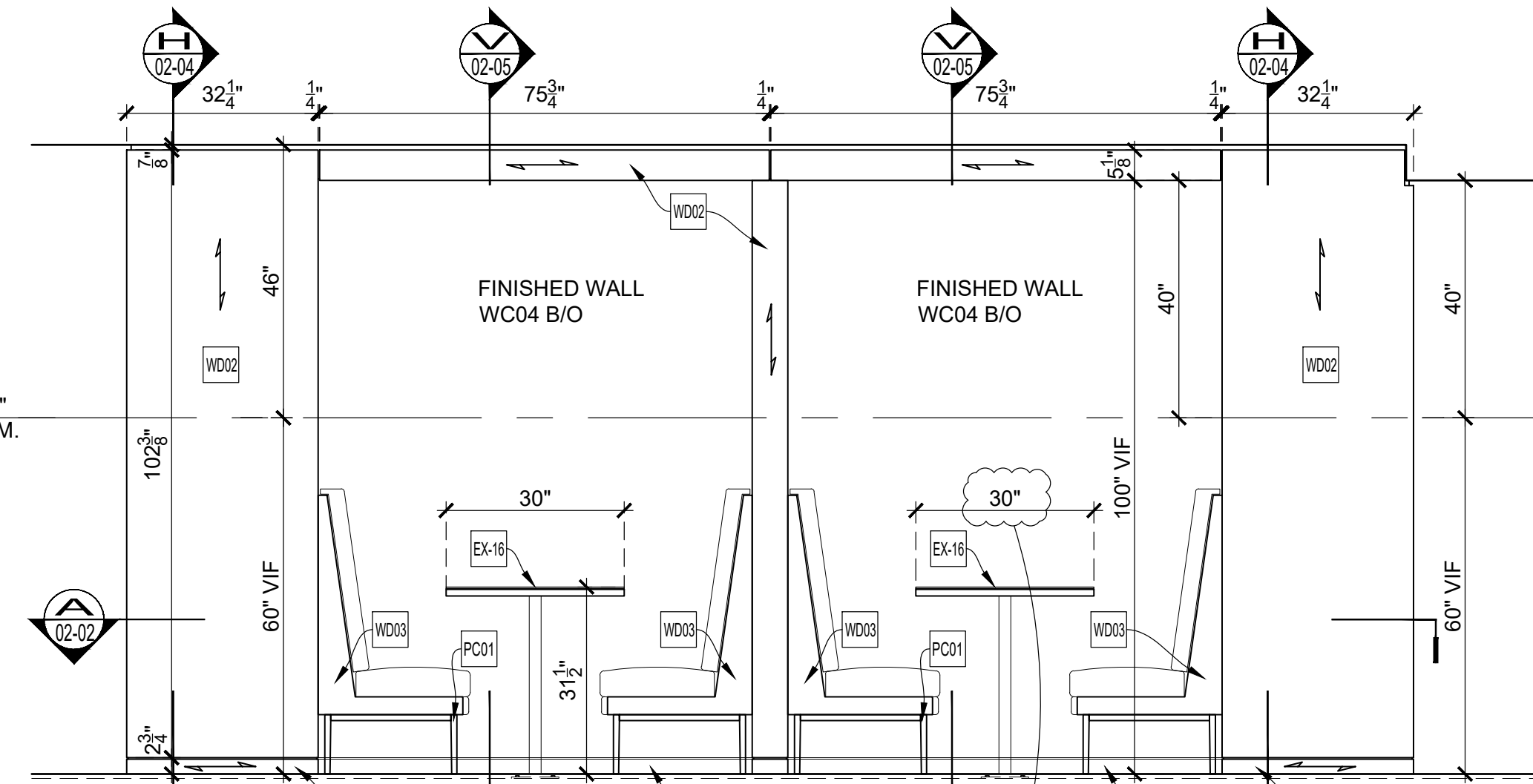
ELEVATION 06
SCALE: 1/2\"/>



ELEVATION 07
SCALE: 1/2\"/>

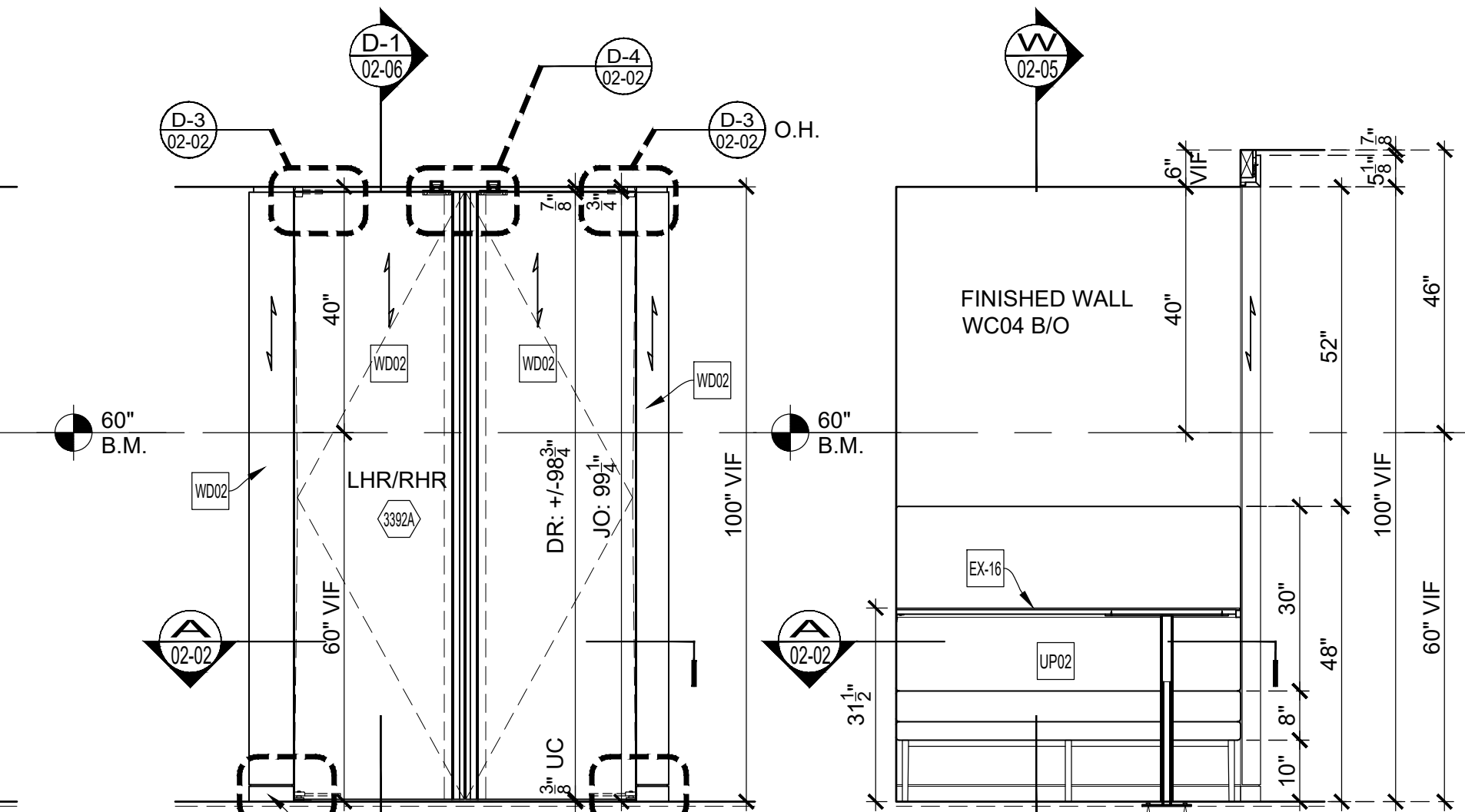


ELEVATION 08
SCALE: 1/2\"/>

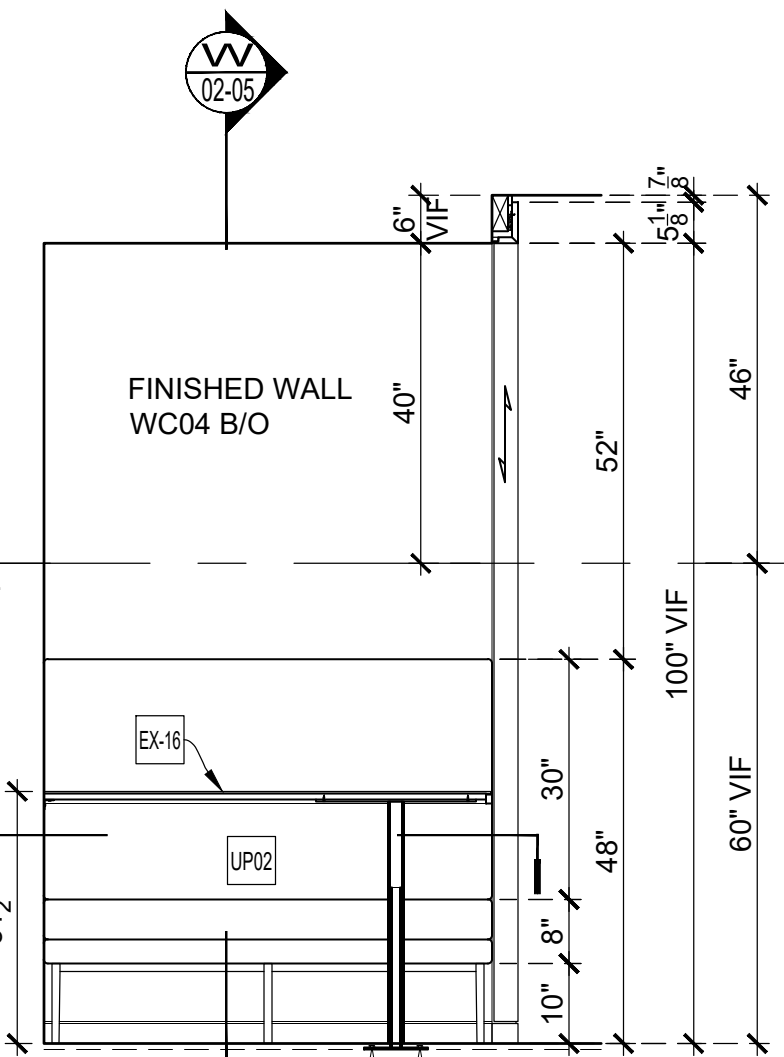


ELEVATION 09
SCALE: 1/2\"/>

ARCHITECT NOTE:
PLEASE VERIFY DIMENSION



ELEVATION 10
SCALE: 1/2\"/>



ELEVATION 11
SCALE: 1/2\"/>

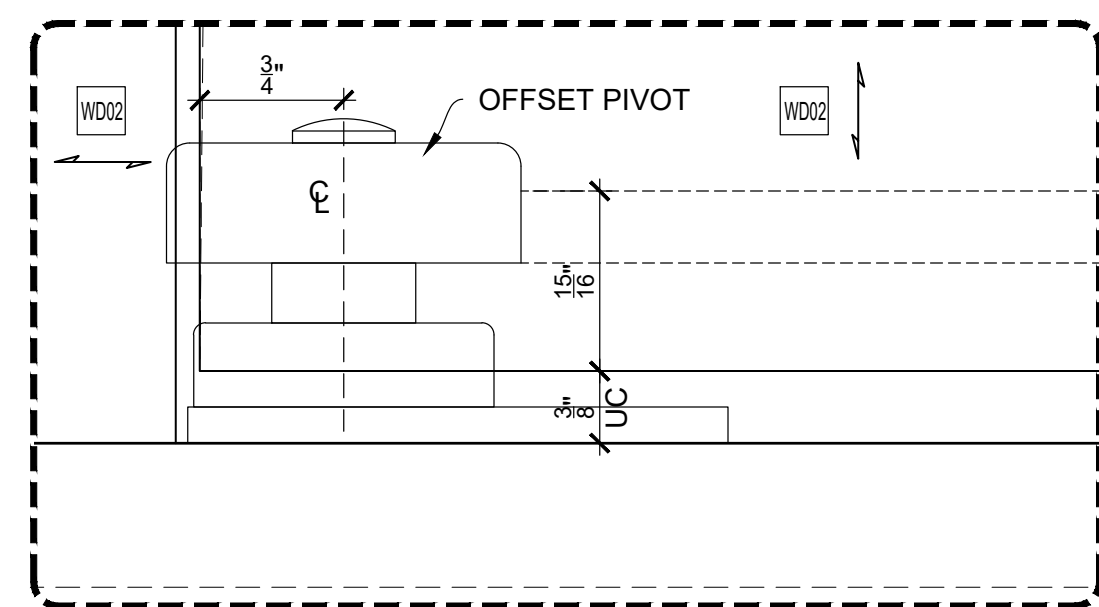
HARDWARE SCHEDULE

ALL DOOR HARDWARE TO BE FURNISHED BY OTHERS AND INSTALLED BY MBR
AS PER ARCHITECTURAL HARDWARE SCHEDULE
AS PER HARDWARE SUPPLIER:

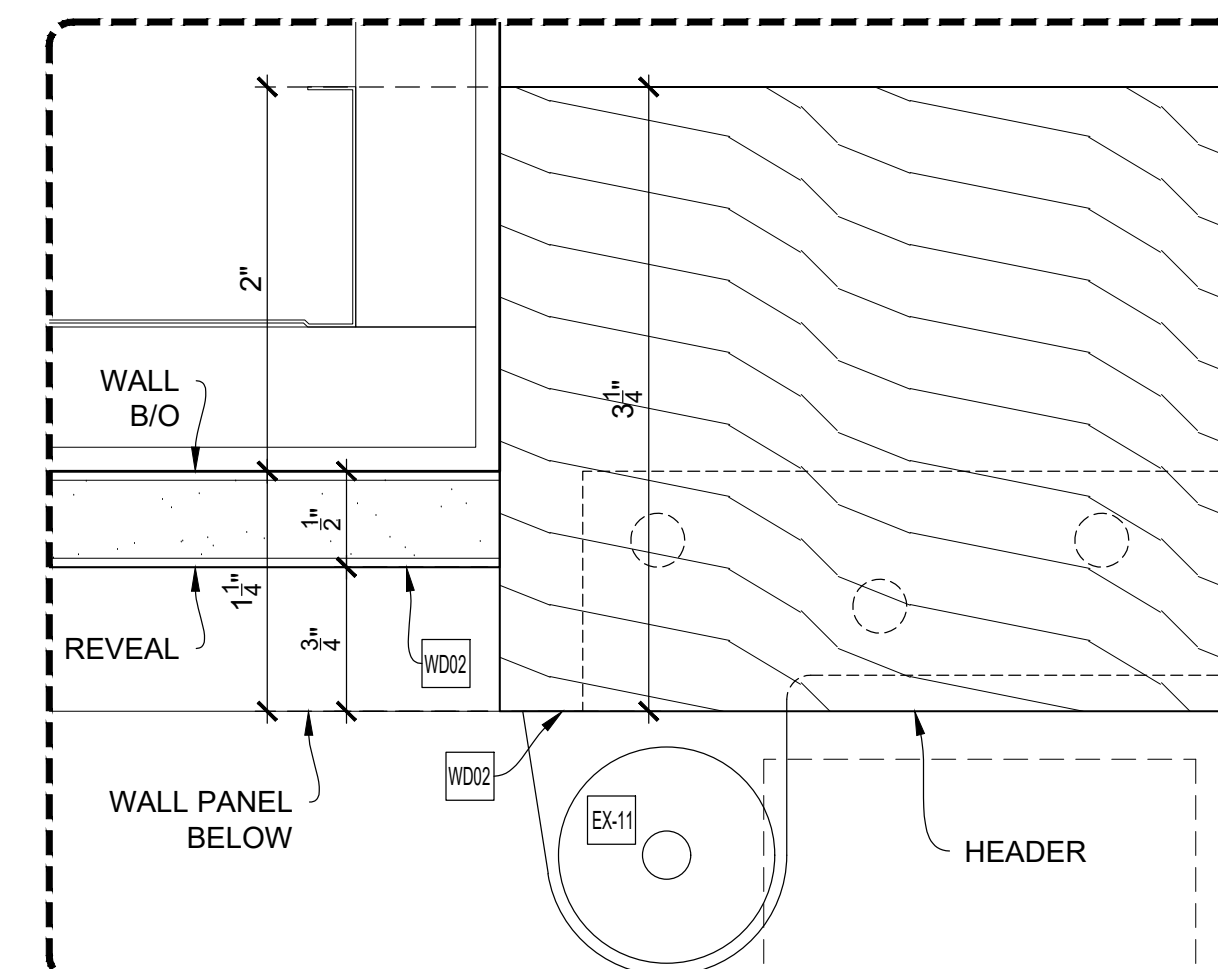
QTY	DESCRIPTION	SPECIFICATION	MANUFACTURER	FINISH	REMARKS
	OFFSET HINGE	HPO02			
	CLOSER	OCC01			
	OVERHEAD STOP	OSS02			

HARDWARE SCHEDULE NOTES: REMARK:

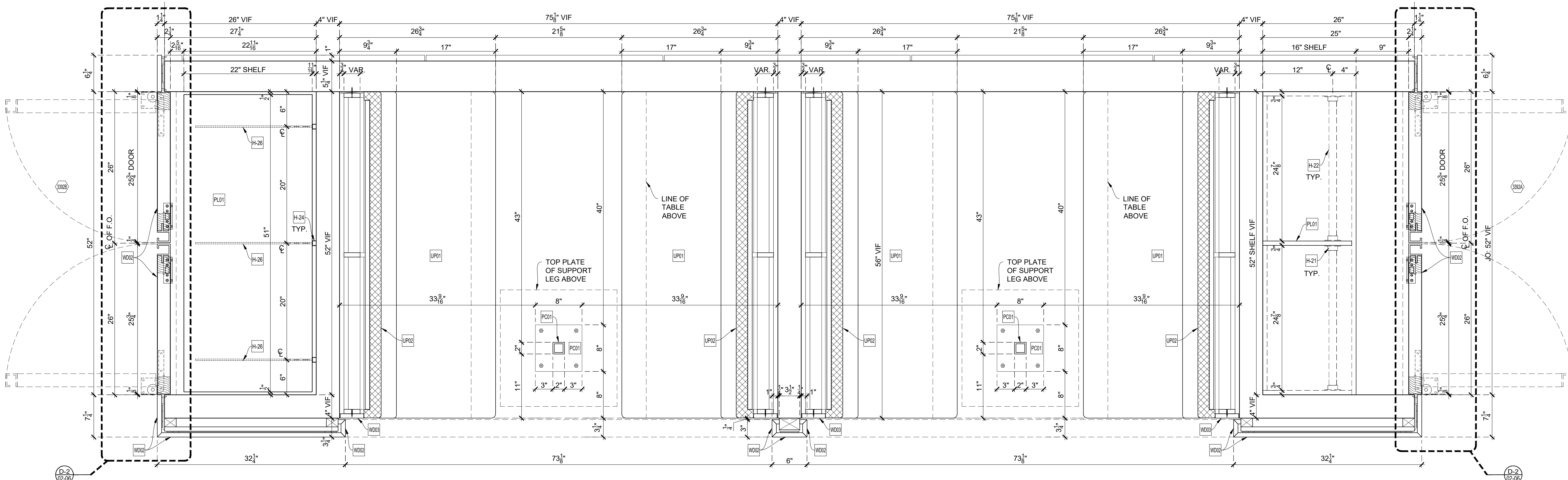
ARCHITECT NOTE:
PLEASE PROVIDE APPROVED HARDWARE LIST FOR COORDINATION



D-5 DETAIL
SCALE: FULL SCALE
Arch't Ref.:



D-6 DETAIL
SCALE: FULL SCALE
Arch't Ref.:



PLAN SECTION 02-07
SCALE: 1-1/2\"/>

- EXCLUSIONS:**
- EX-8 STONE COUNTERTOP
 - EX-7 GLASS (GL05)
 - H-19 CUP DISPENSER: CARLISLE #38850GEW (SS)
 - EX-9 ACRYLIC TRAY
 - EX-10 LIGHT FIXTURE (F11)
 - EX-11 DOOR HARDWARE
 - EX-16 GLASS (GL09)
 - EX-17 1/8\"/>

DRAWING SUBMITTALS AND RETURNS

DATE	PURPOSE	TO	RETURN	RETURN STATUS

DRAWING REVISIONS

DATE	DESCRIPTION	REVISED BY	COMMENTS
1			
2			
3			
4			
5			
6			
7			
8			
9			
10			

RELEASES FOR FABRICATION

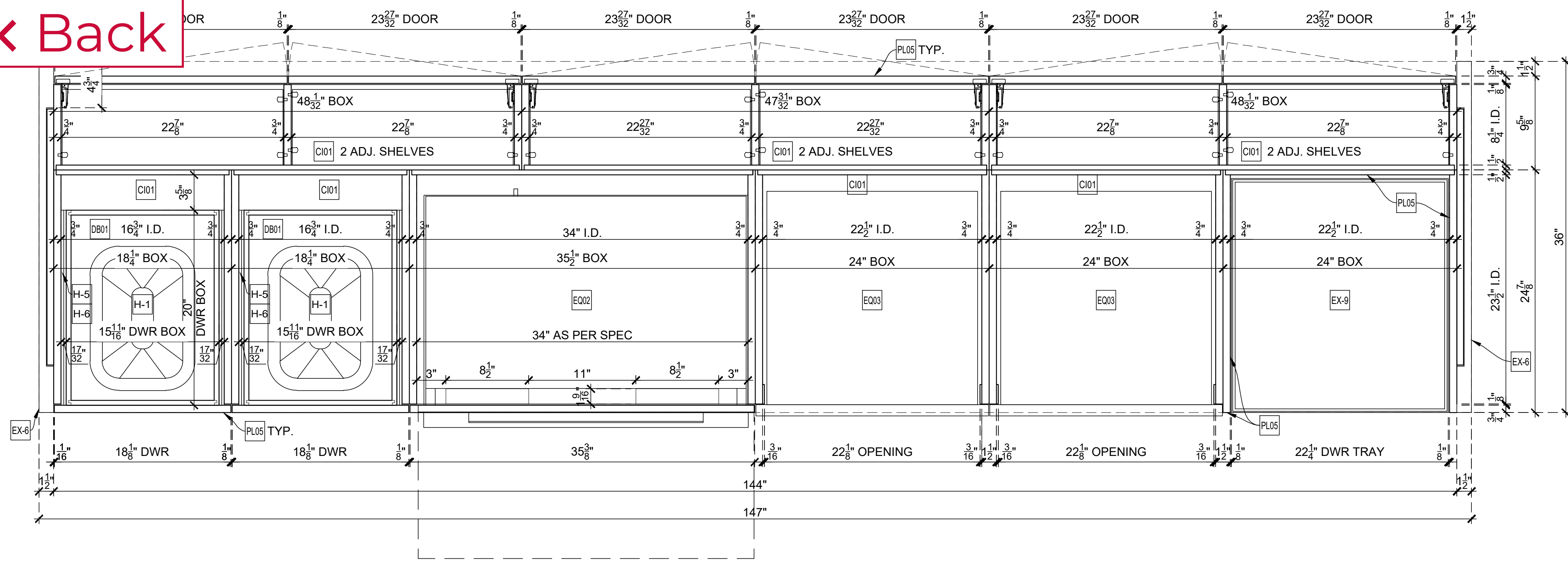
DATE	DESCRIPTION

TITLE:
ITEM NO:
DESC: ELEVATIONS, SECTIONS, DETAILS
DESC: CAFE PANTRY 3392

By: PD Scale: As Noted Job No. Dwg. No. 02-02
Status: IN SUBMITTAL REVIEW Date: 2019-07-08

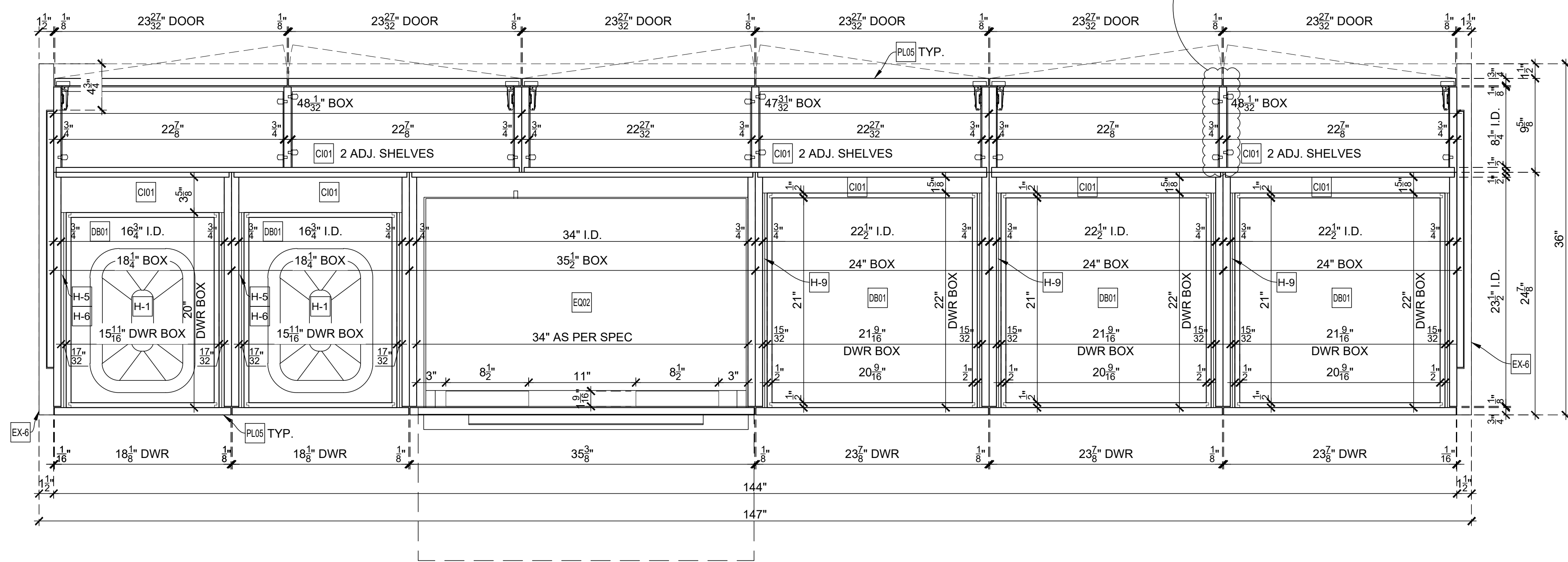


[Back](#)

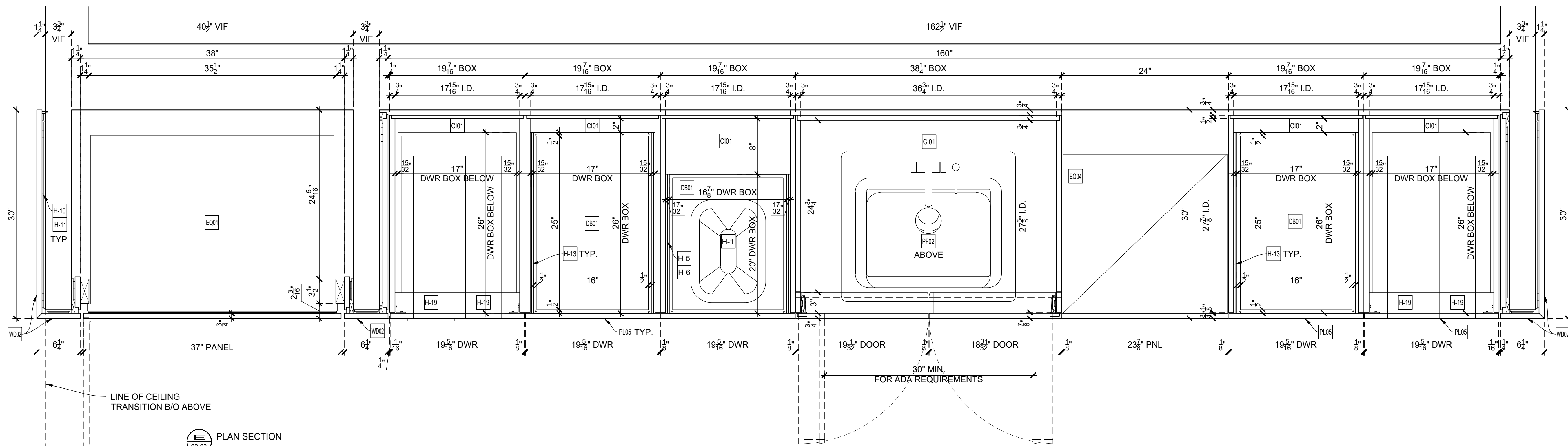


B PLAN SECTION
SCALE: 1-1/2" = 1'-0"
Arch'l Ref.: NONE

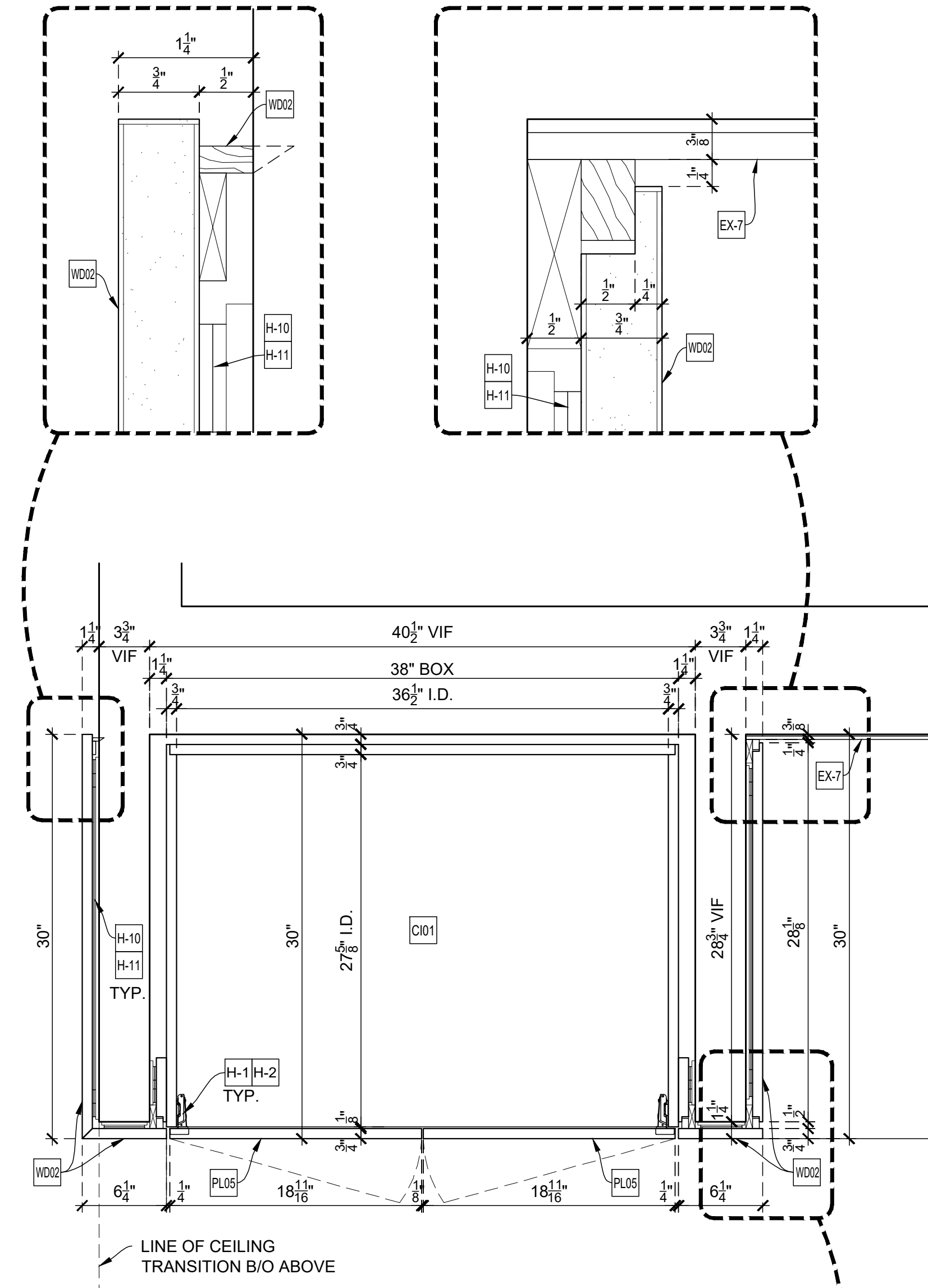
ARCHITECT NOTE:
USE OF DIVIDER IS RECOMMENDED IF INSIDE WIDTH OF CABINET EXCEEDS 36". PLEASE VERIFY CONDITION.



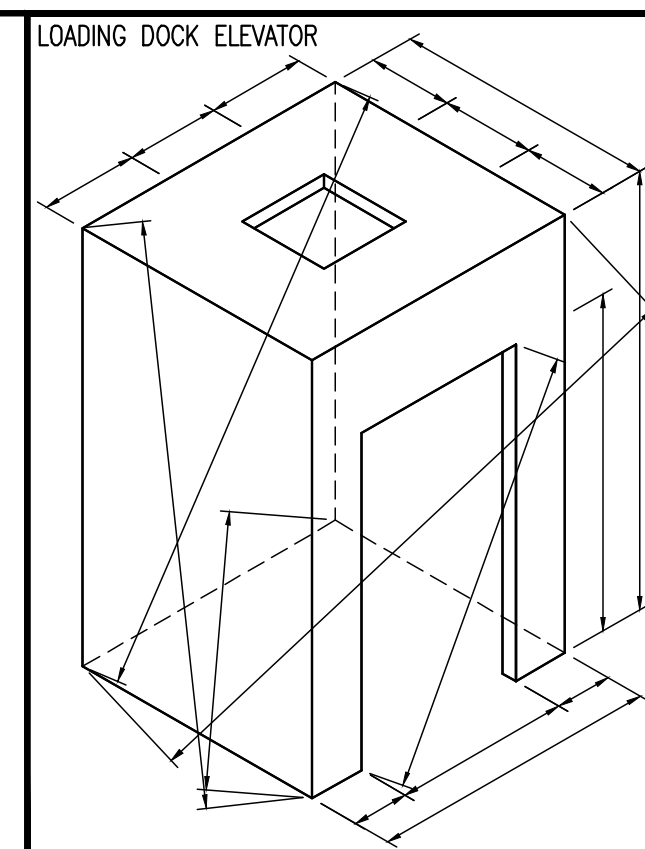
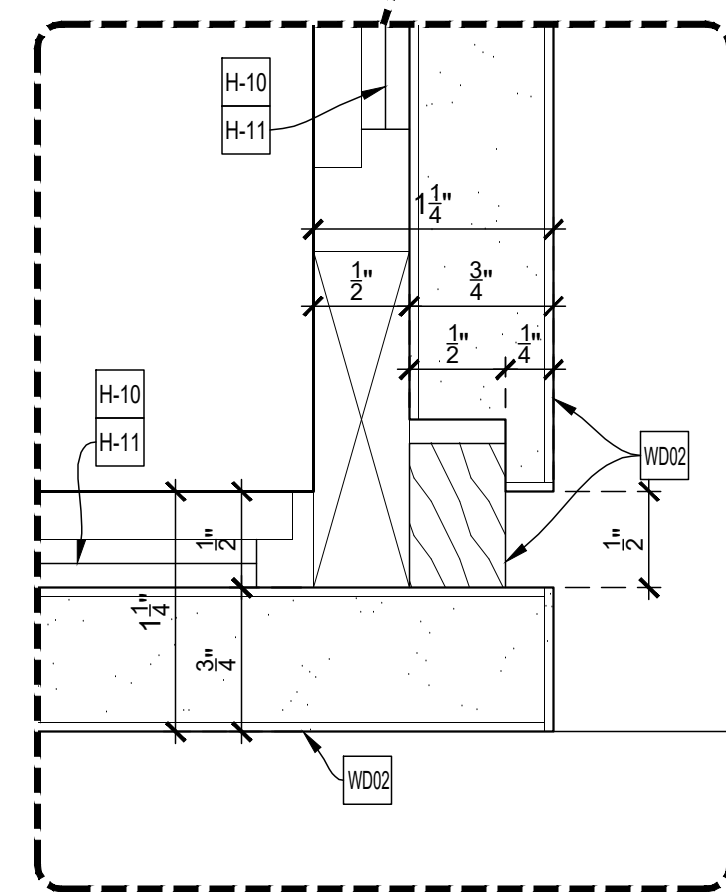
C PLAN SECTION
SCALE: 1-1/2" = 1'-0"
Arch'l Ref.: NONE



E PLAN SECTION
SCALE: 1-1/2" = 1'-0"
Arch'l Ref.: NONE



D PLAN SECTION
SCALE: 1-1/2" = 1'-0"
Arch'l Ref.: NONE



Loose to field
Fixed in shop

RESERVED SPACE FOR FINISH SCHEDULE

- EXCLUSIONS:**
- EX-4 STONE COUNTERTOP
 - EX-7 GLASS (GL05)
 - H-19 CUP DISPENSER CARLISLE #38850GEW (SS)
 - EX-9 ACRYLIC TRAY
 - EX-10 LIGHT FIXTURE (F1)
 - EX-11 DOOR HARDWARE
 - EX-16 GLASS (GL09)
 - EX-17 1/8" THK ST. STL. TRIM

DRAWING SUBMITTALS AND RETURNS				
DATE	PURPOSE	TO	RETURN	RETURN STATUS

DRAWING REVISIONS			
DATE	DESCRIPTION	REVISED BY	COMMENTS
1			
2			
3			
4			
5			
6			
7			
8			
9			
10			

RELEASES FOR FABRICATION	
DATE	DESCRIPTION

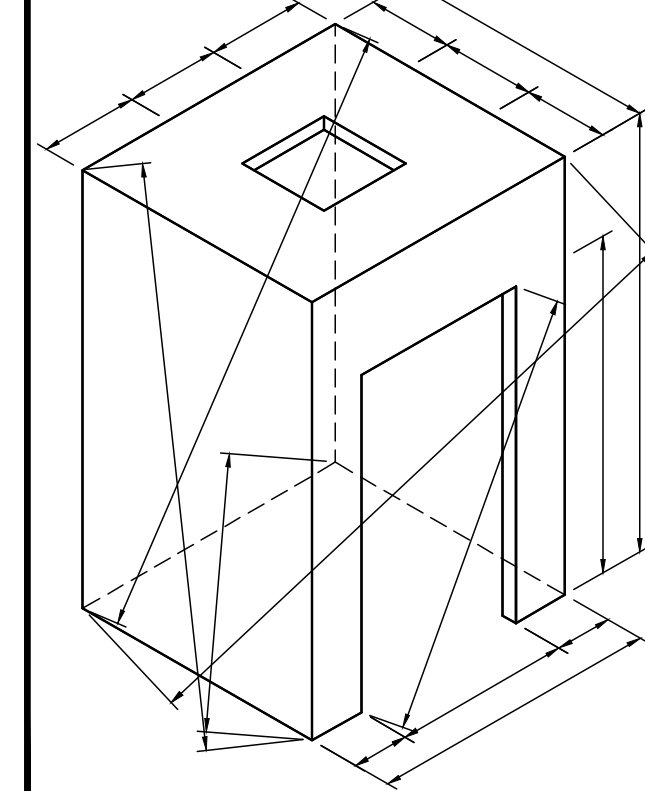


< Back

ARCHITECT NOTE:
PLEASE VERIFY USE OF CABINET WITH DOOR
INSTEAD OF FIXED PANEL ABOVE REFRIGERATOR

ARCHITECT NOTE:
PLEASE VERIFY ALL WOOD
GRAIN DIRECTIONS.

LOADING DOCK ELEVATOR

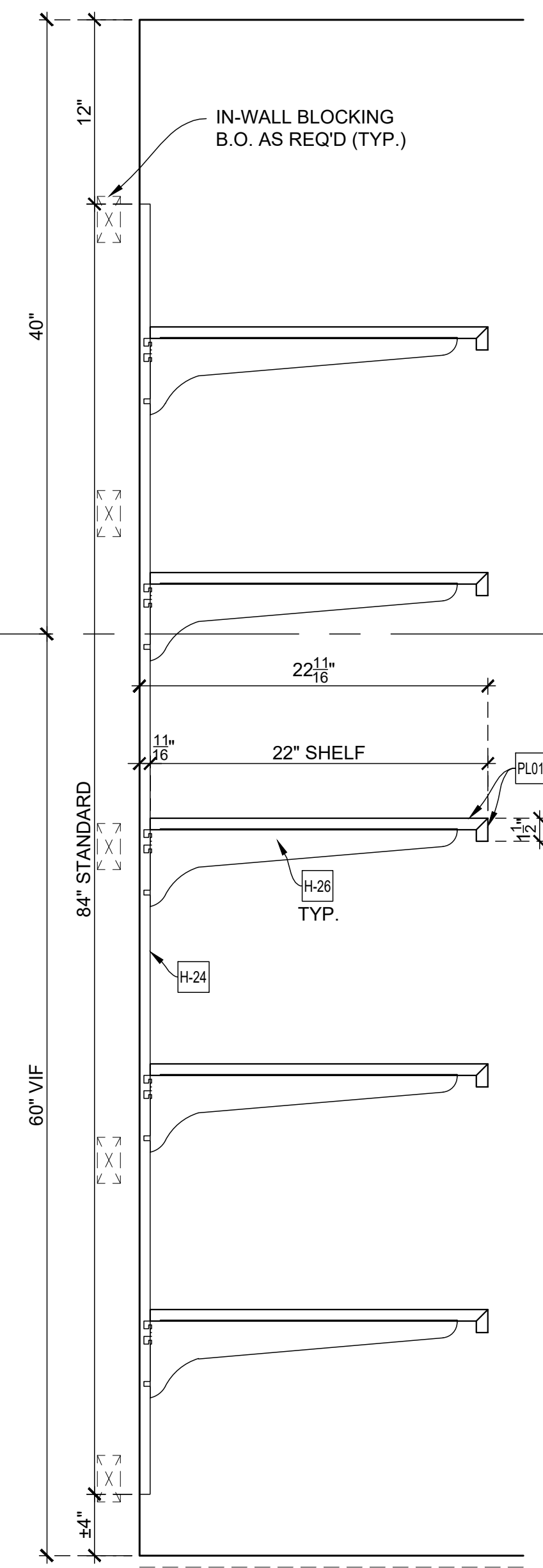


Loose to field
Fixed in shop

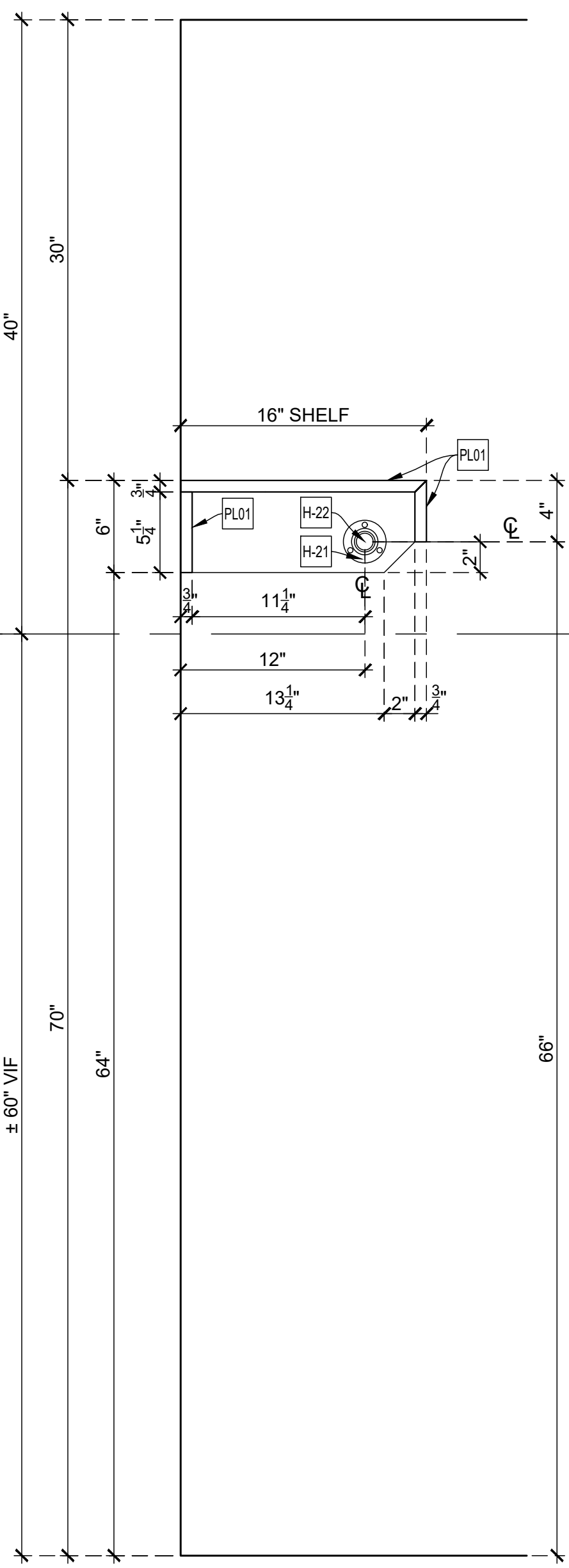
PLEASE VERIFY ALL WOOD GRAIN DIRECTIONS.

EXCLUSIONS:

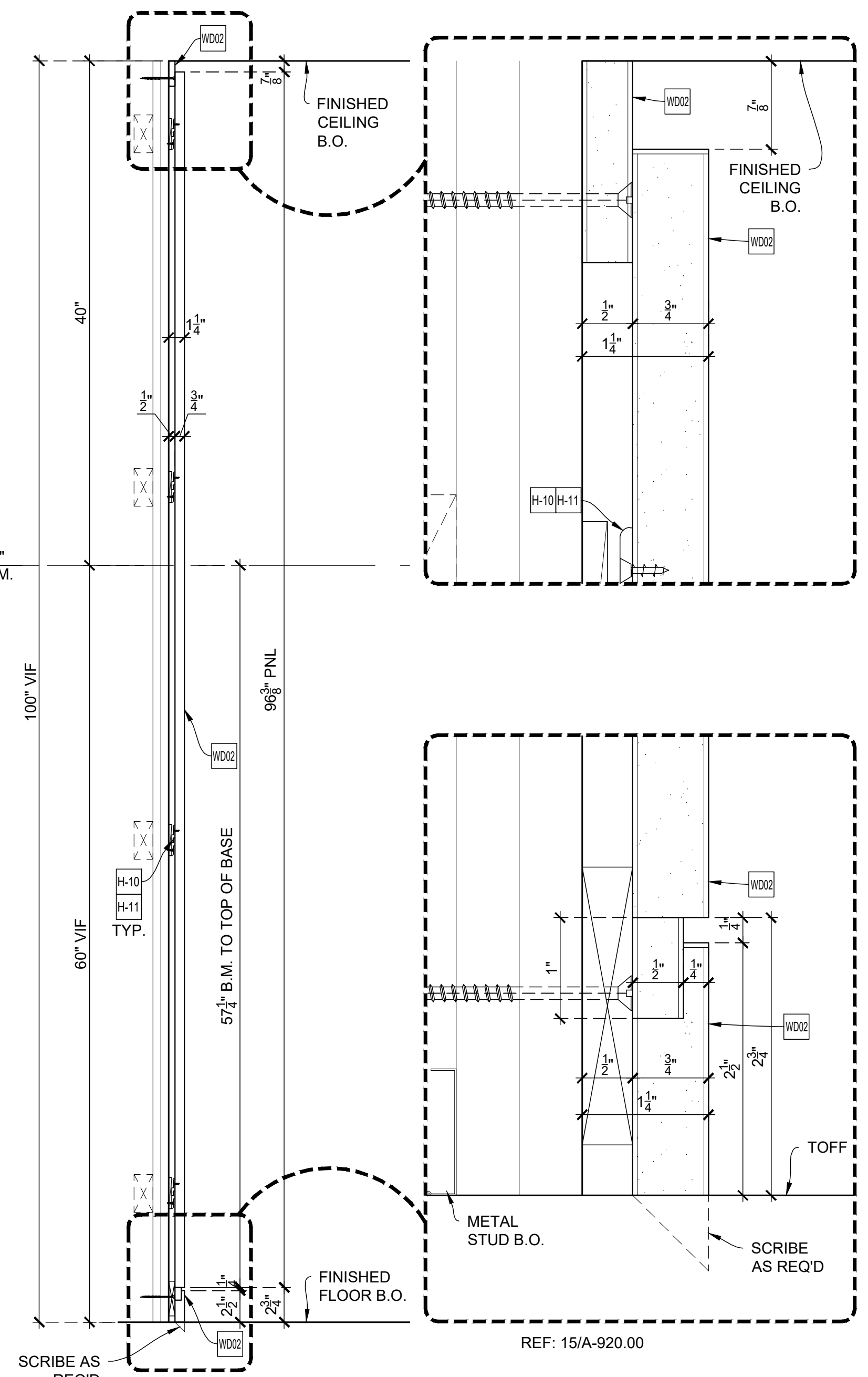
- EX-4 STONE COUNTERTOP
- EX-7 GLASS (GL05)
- EX-9 CUP DISPENSER CARLISLE #38850GEW (SS)
- EX-9 ACRYLIC TRAY
- EX-10 LIGHT FIXTURE (F11)
- EX-11 DOOR HARDWARE
- EX-16 GLASS (GL09)
- EX-17 1/8" THK ST. STL. TRIM



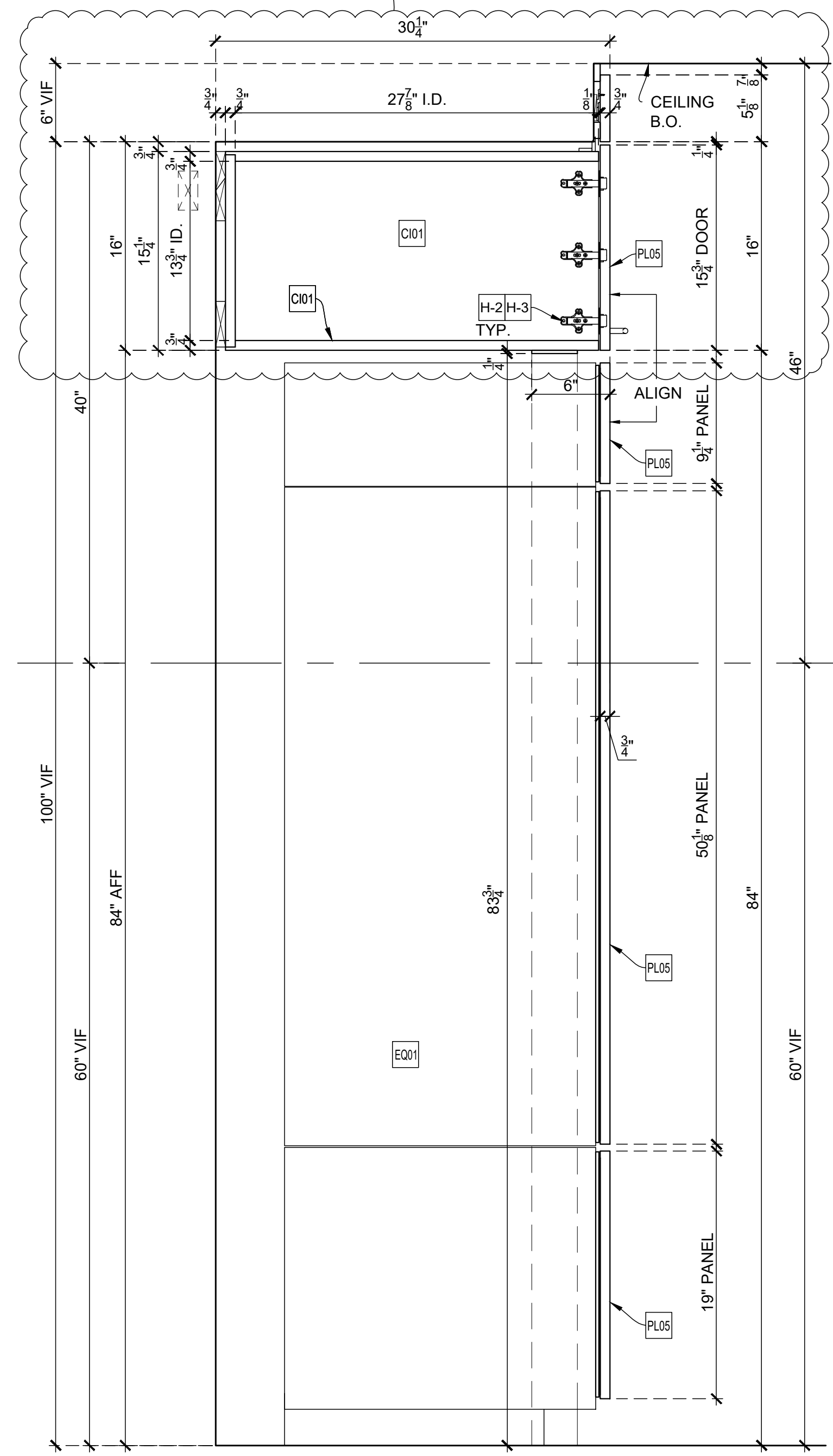
F VERTICAL SECTION
SCALE: 1-1/2" = 1'-0"
Arch't Ref.: 5/A-962



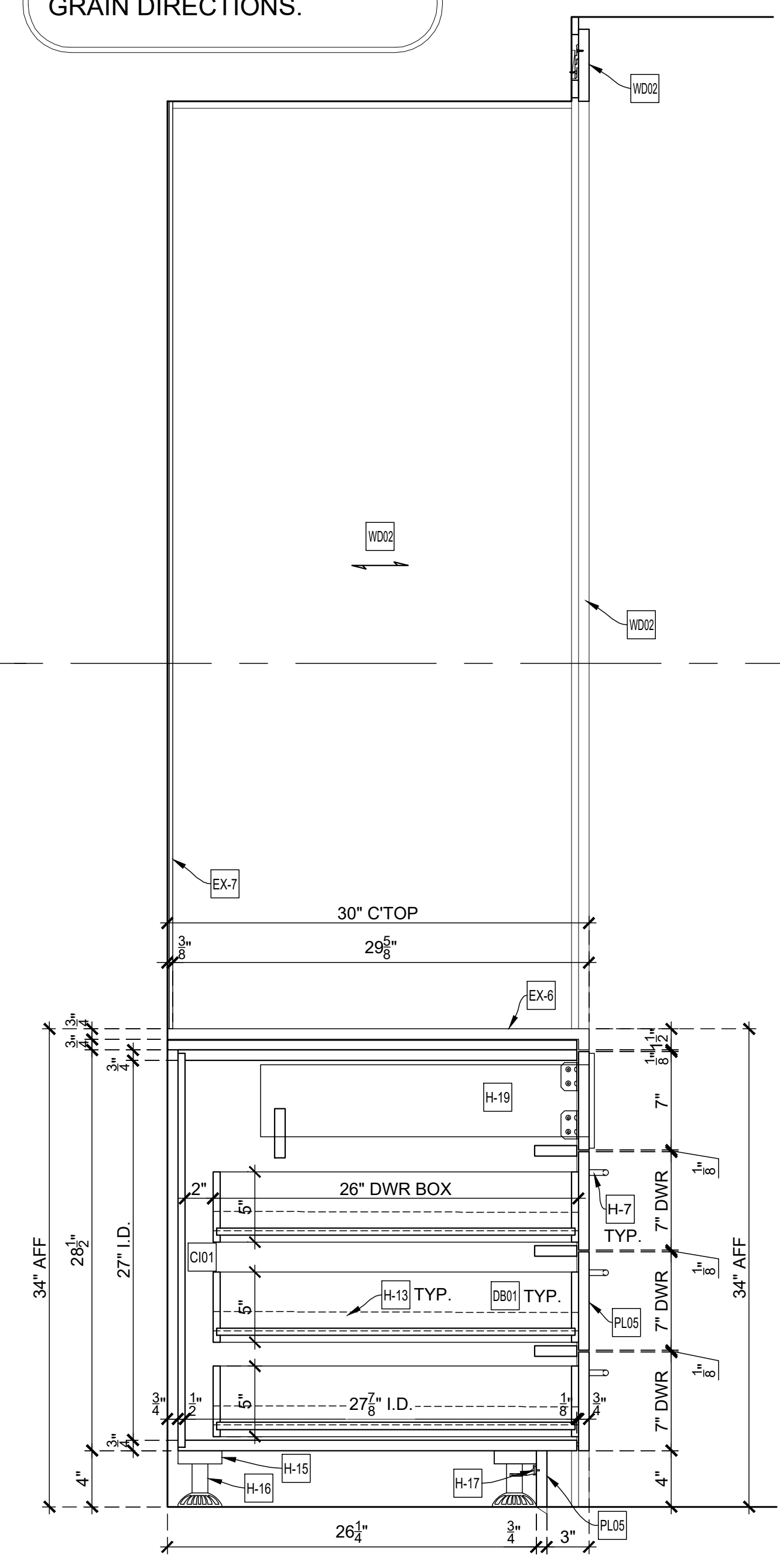
G VERTICAL SECTION
SCALE: 1-1/2" = 1'-0"
Arch't Ref.: 2/A-962



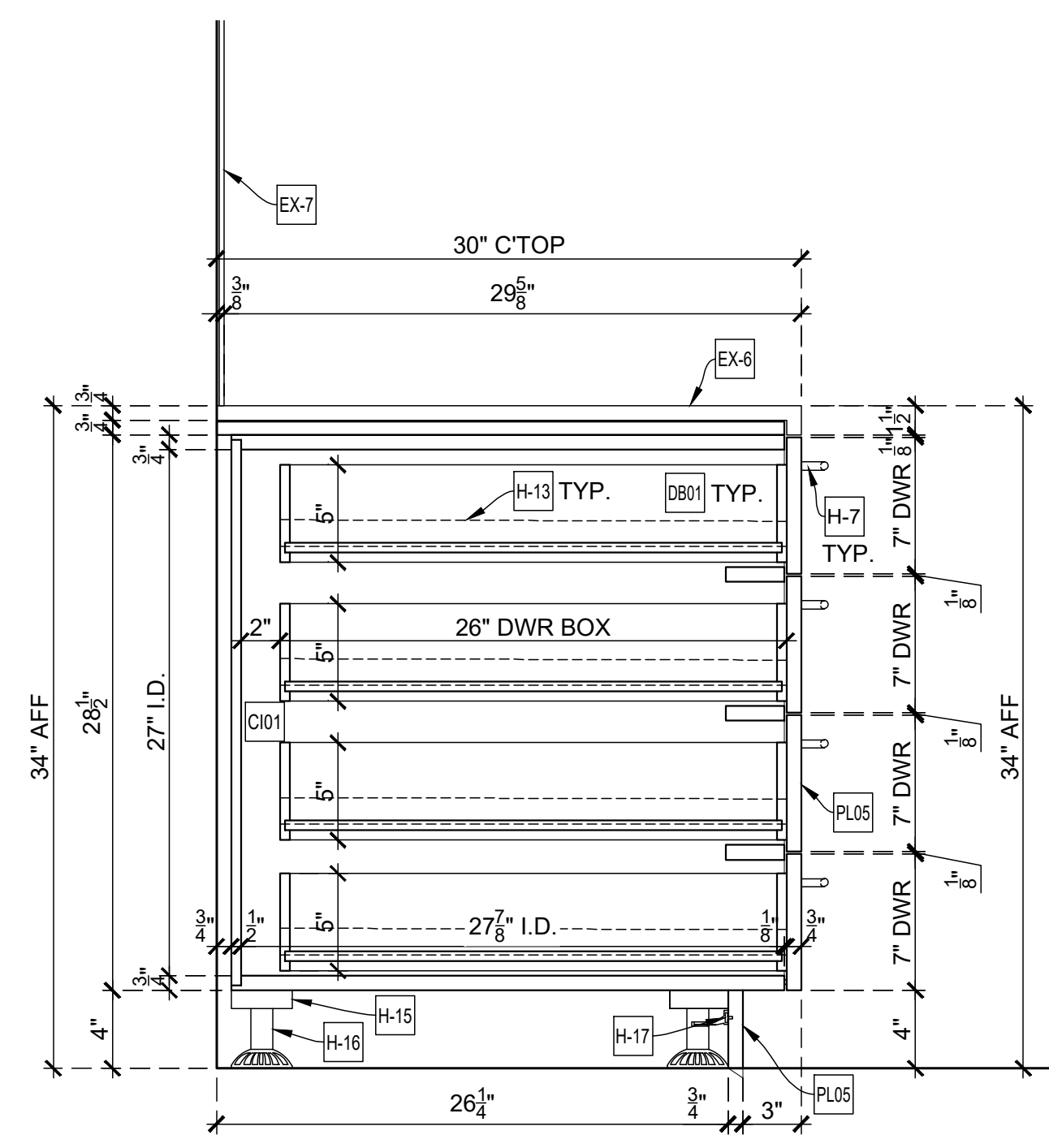
H VERTICAL SECTION
SCALE: 1-1/2" = 1'-0"
Arch't Ref.: NONE



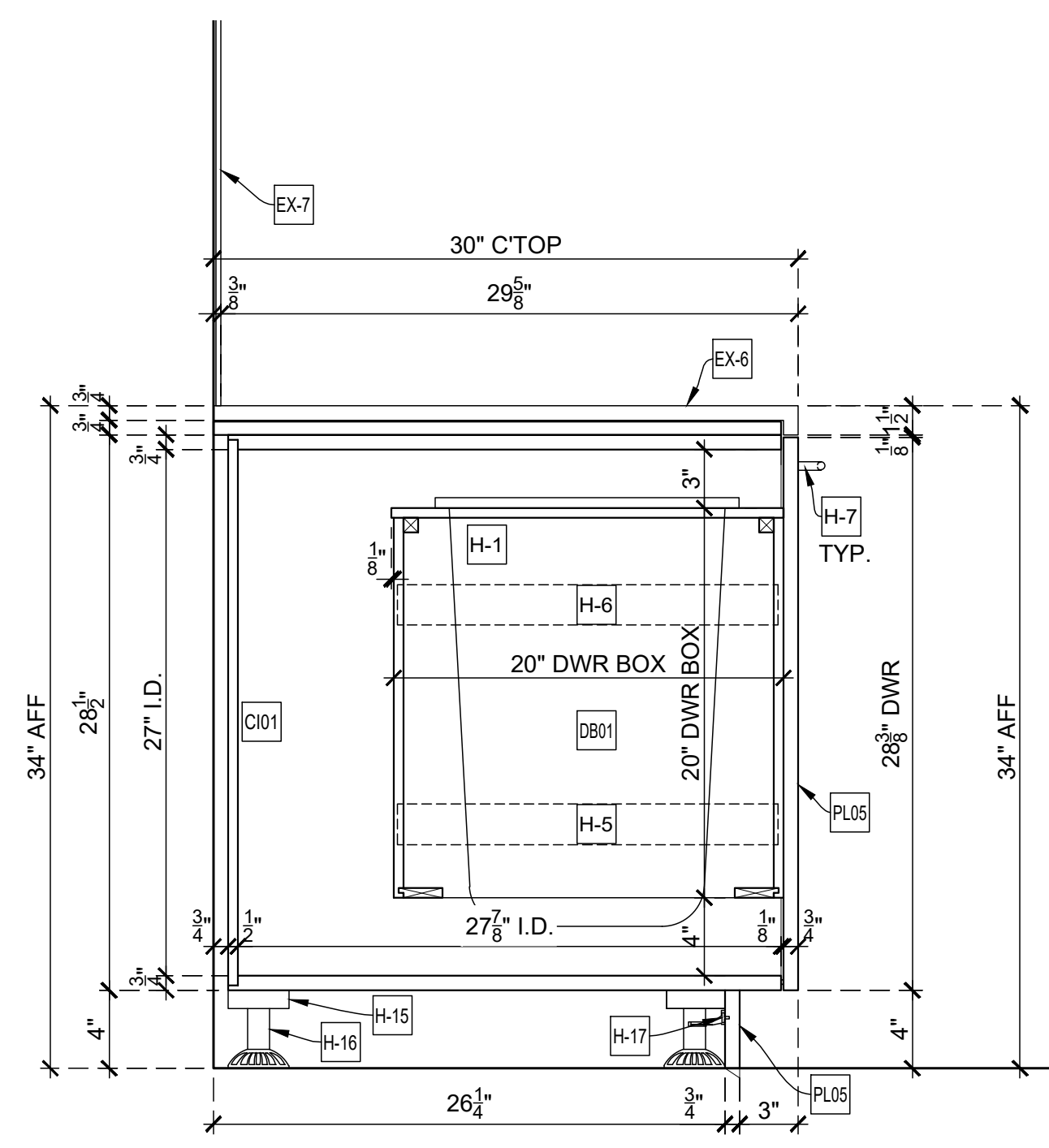
J VERTICAL SECTION
SCALE: 1-1/2" = 1'-0"
Arch't Ref.: 2/A-961



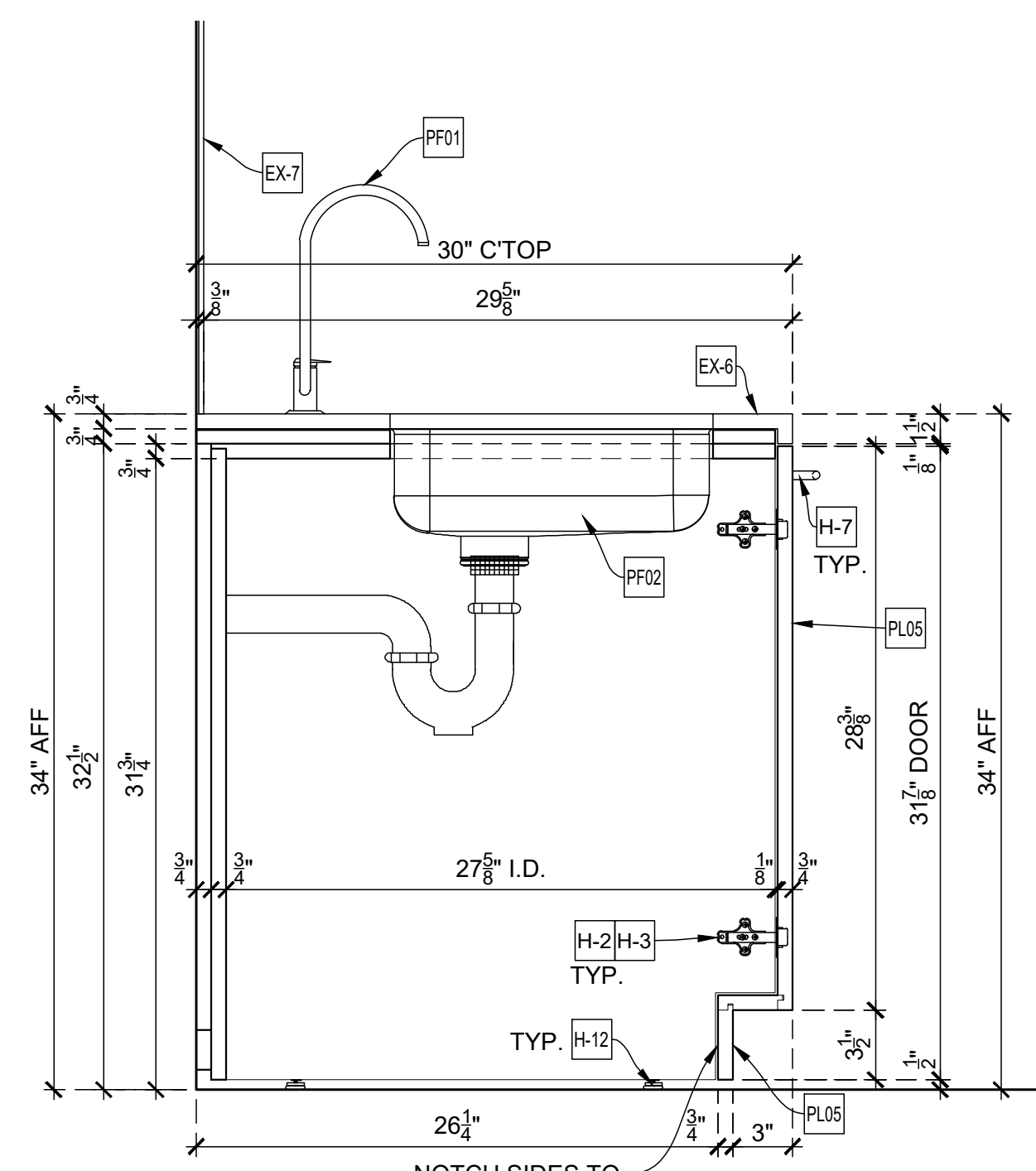
K VERTICAL SECTION
SCALE: 1-1/2" = 1'-0"
Arch't Ref.: 12/A-960



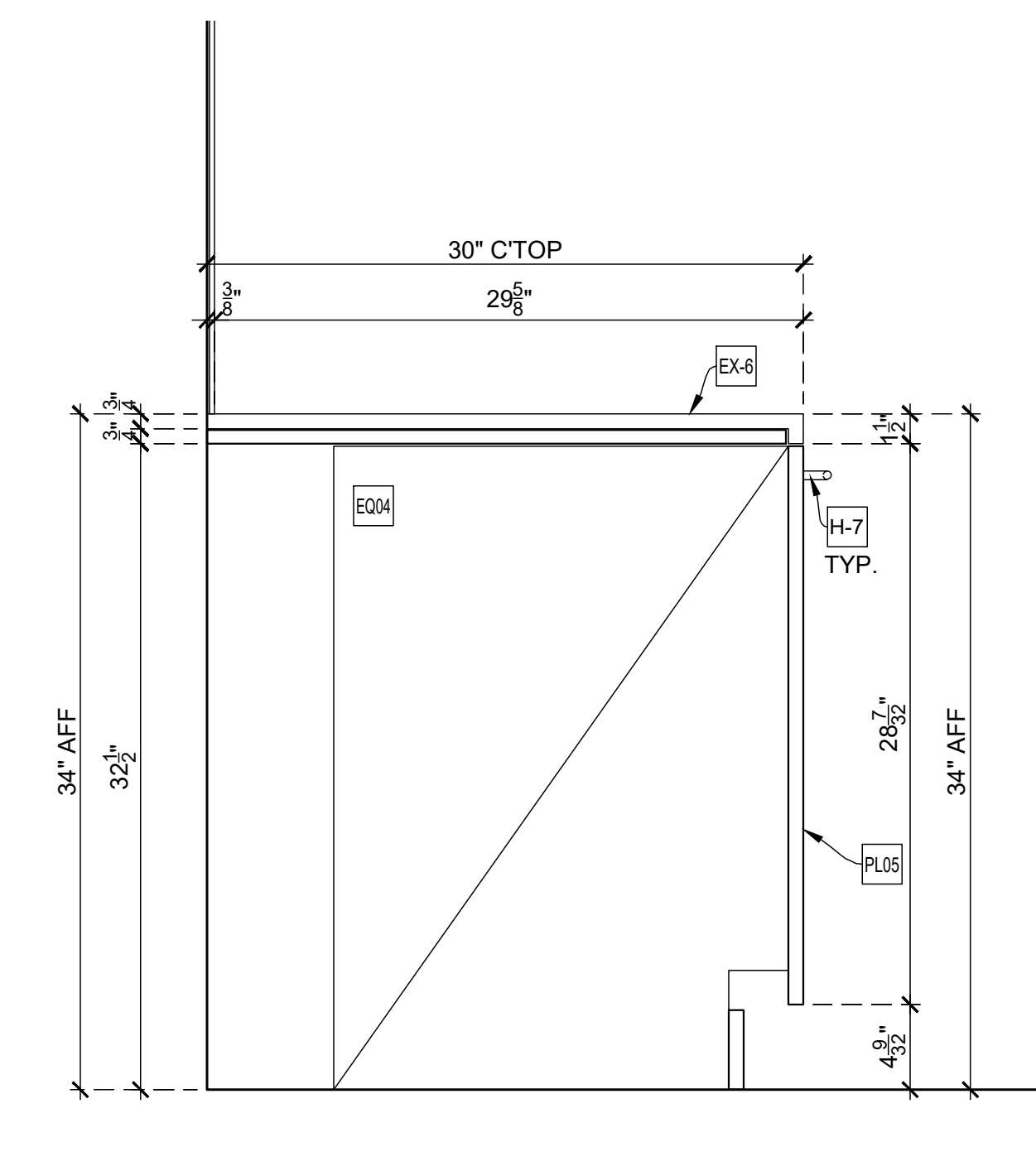
L VERTICAL SECTION
SCALE: 1-1/2" = 1'-0"
Arch't Ref.: 7/A-960



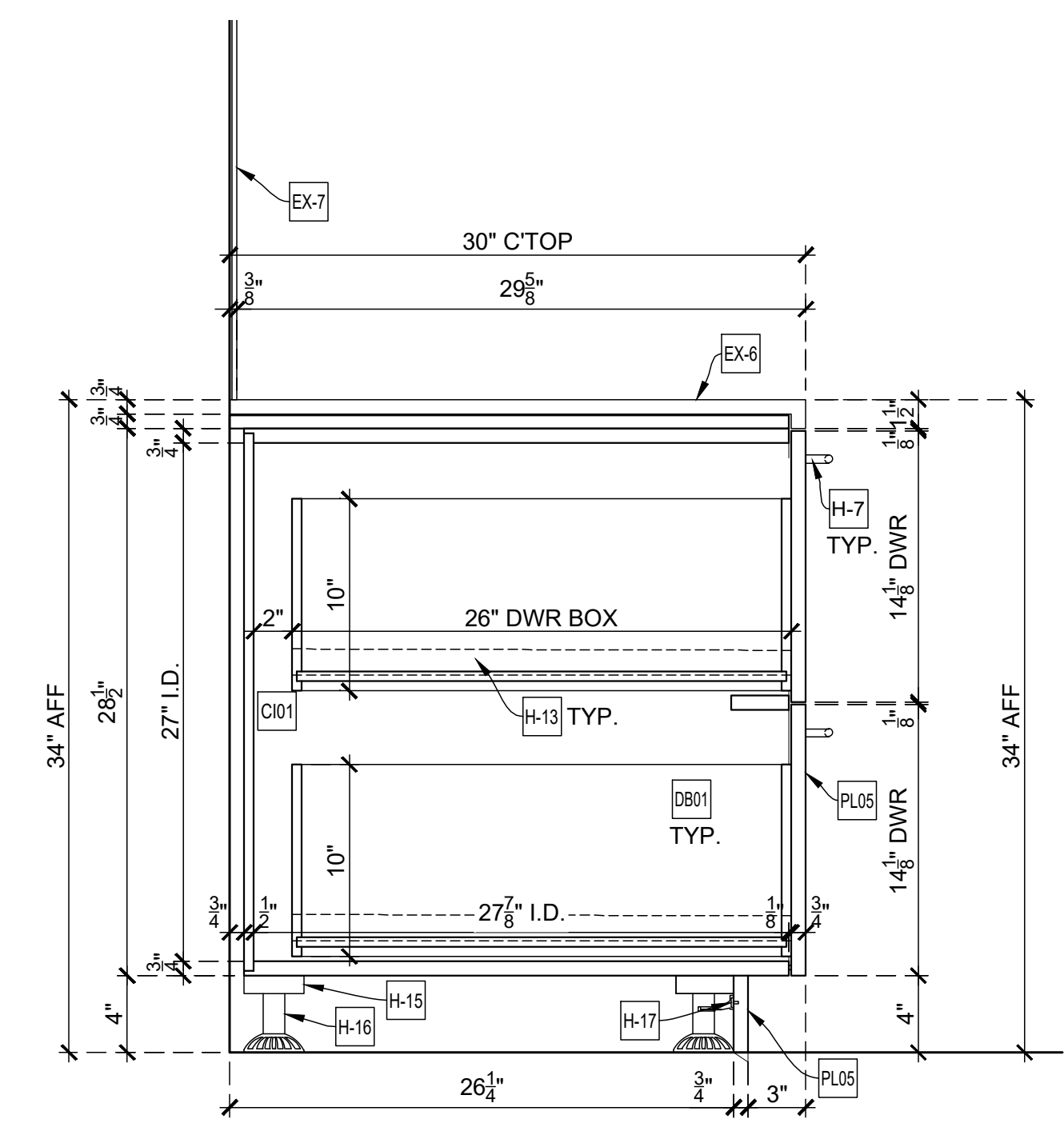
M VERTICAL SECTION
SCALE: 1-1/2" = 1'-0"
Arch't Ref.: 9/A-960



N VERTICAL SECTION
SCALE: 1-1/2" = 1'-0"
Arch't Ref.: 8/A-960



P VERTICAL SECTION
SCALE: 1-1/2" = 1'-0"
Arch't Ref.: NONE



Q VERTICAL SECTION
SCALE: 1-1/2" = 1'-0"
Arch't Ref.: NONE

ARCHITECT NOTE:
PLEASE VERIFY SECTION DUE
TO LACK OF DETAILS ON
ARCHITECTURAL DRAWINGS.

DRAWING SUBMITTALS AND RETURNS				
DATE	PURPOSE	TO	RETURN	RETURN STATUS

DRAWING REVISIONS				
DATE	DESCRIPTION	REVISED BY	REVISION	COMMENTS
1				
2				
3				
4				
5				
6				
7				
8				
9				
10				

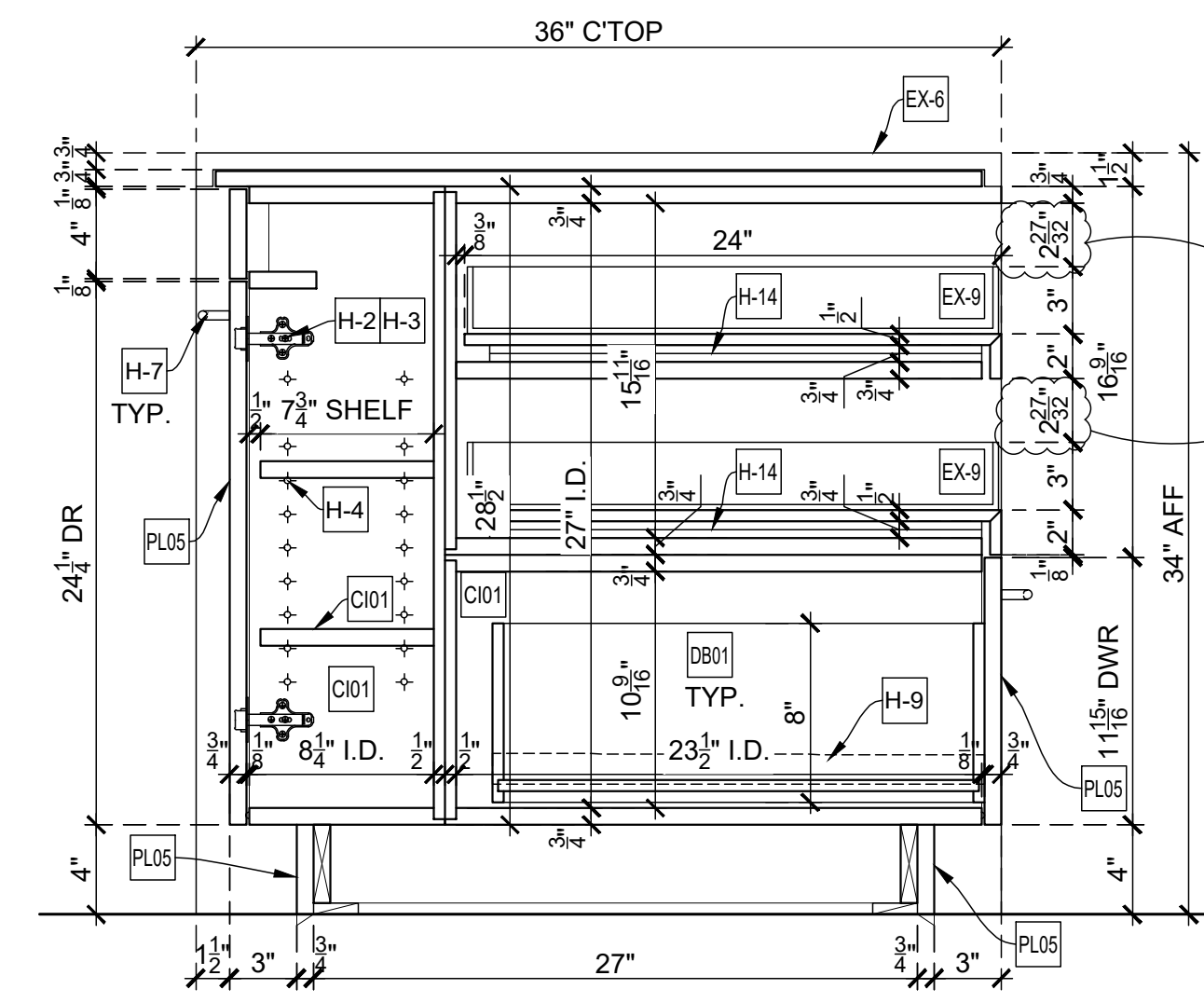
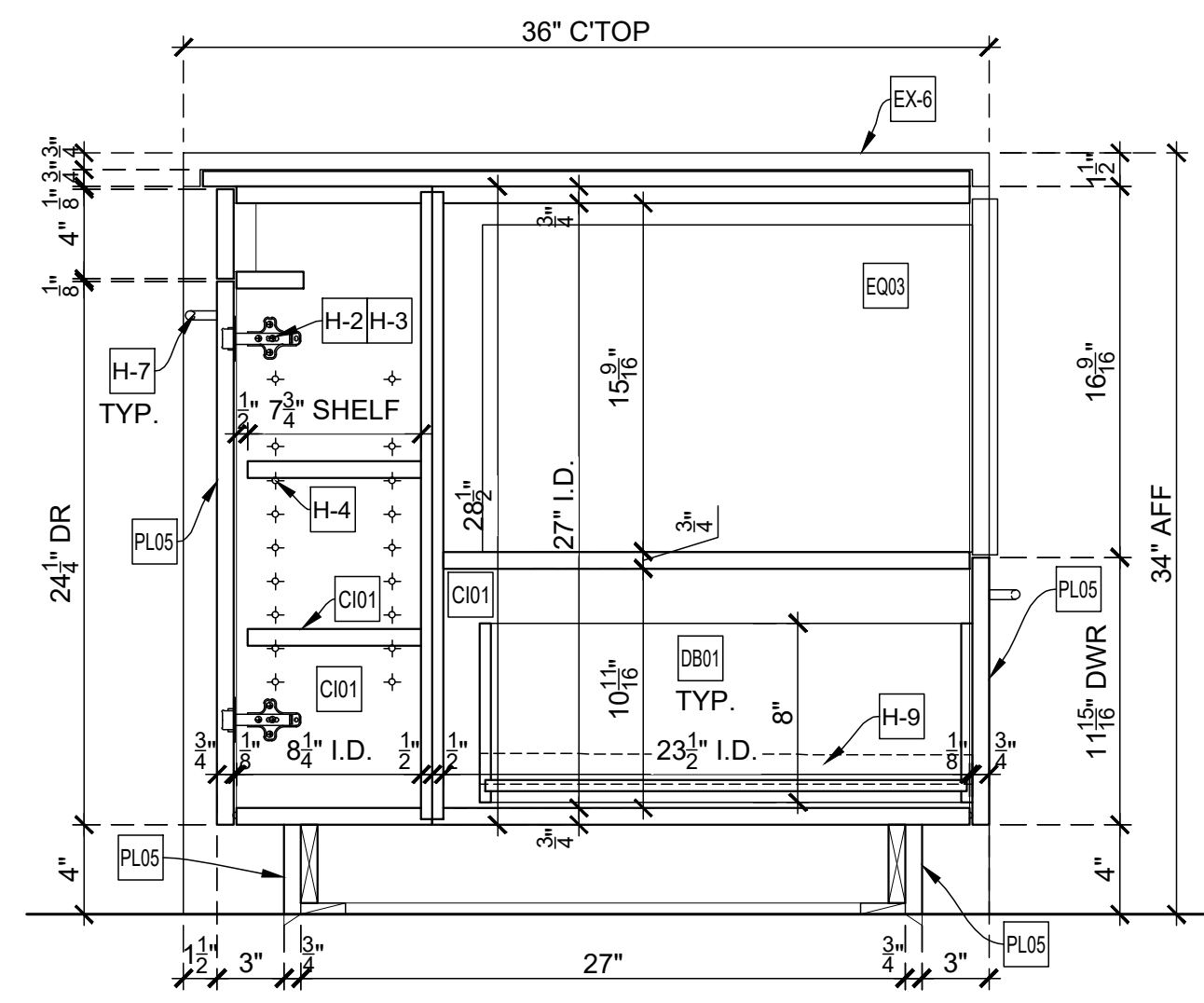
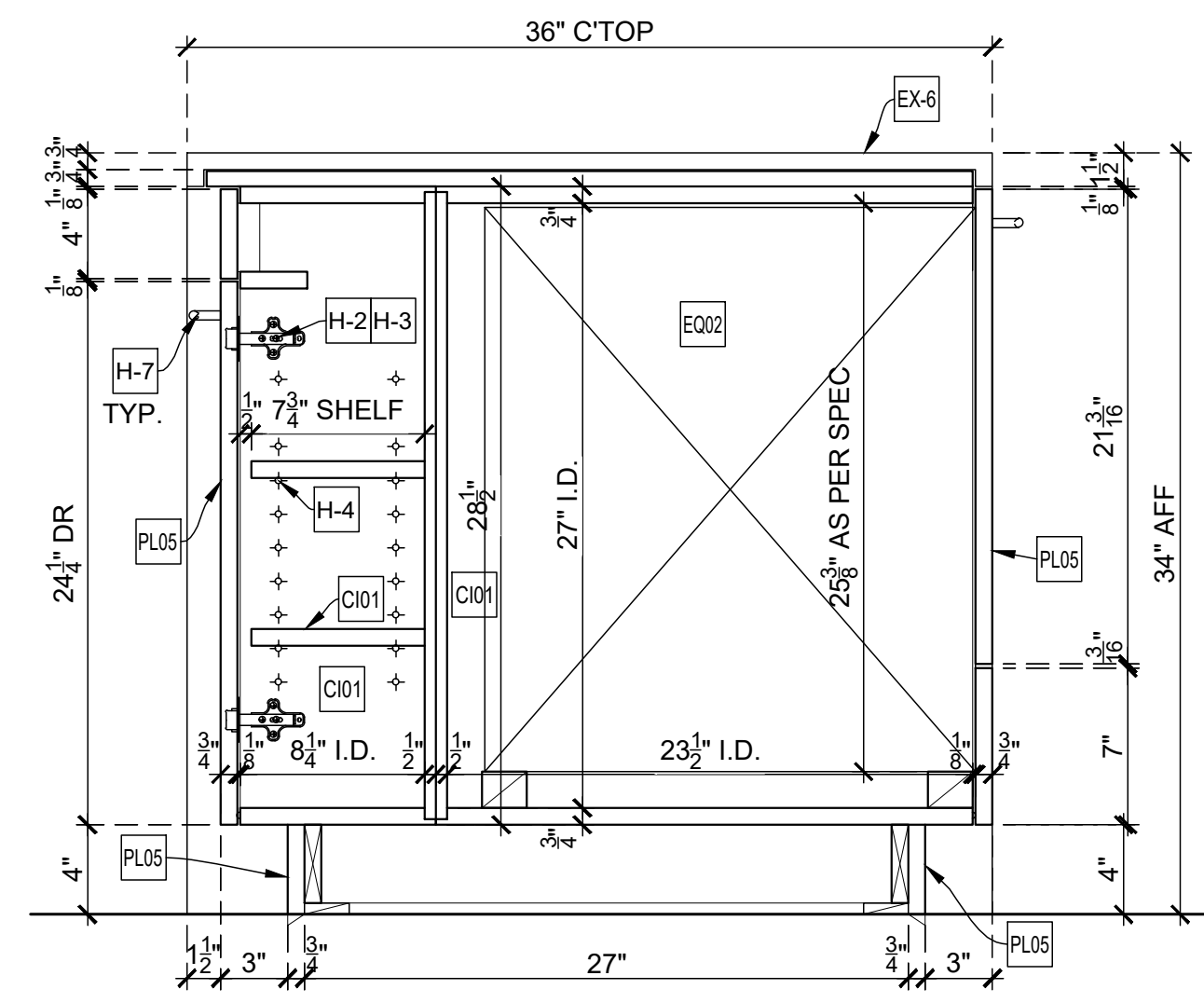
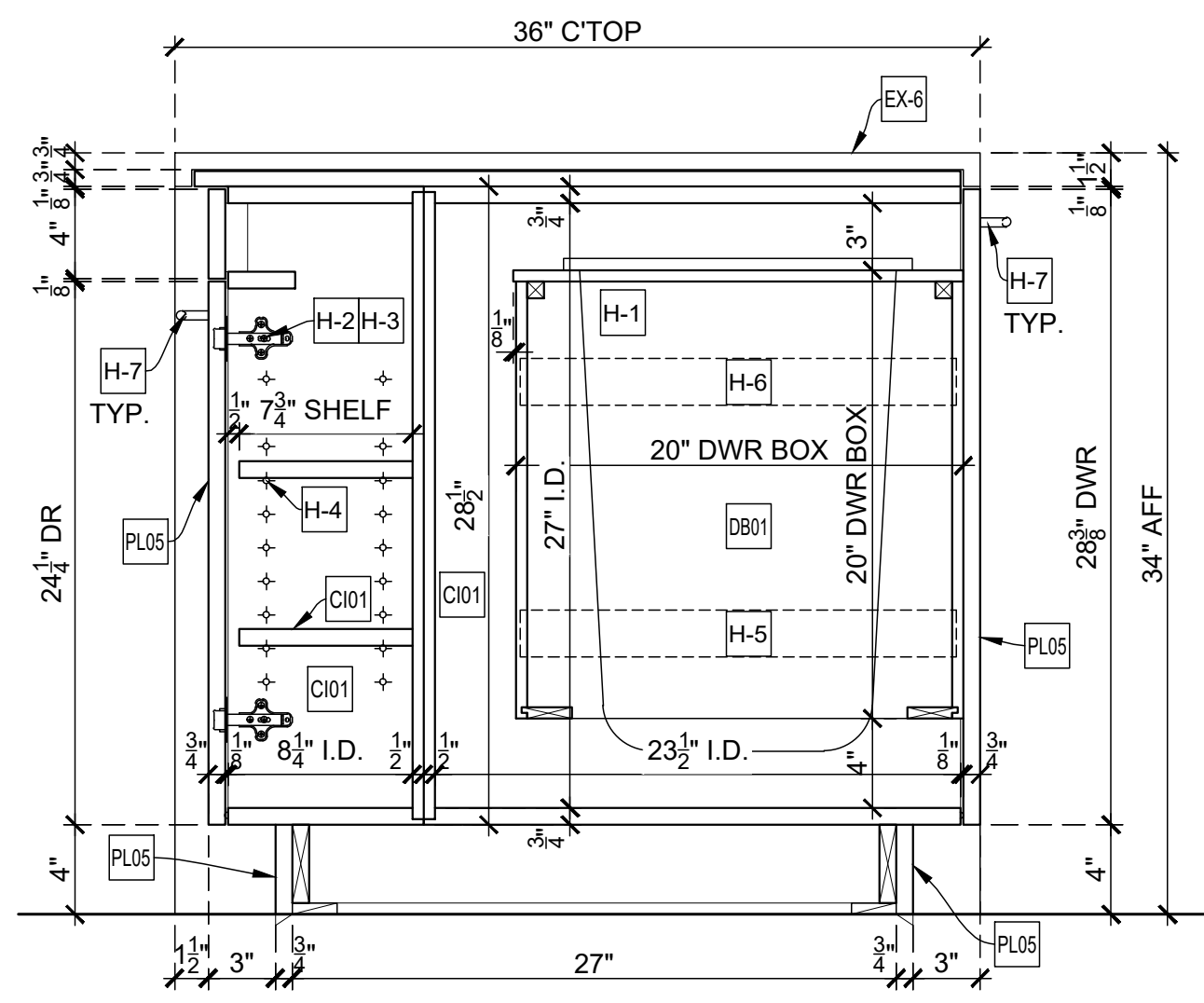
RELEASES FOR FABRICATION	
DATE	DESCRIPTION

TITLE:	SECTIONS
ITEM NO.:	CAFE PANTRY 3392
DESC.:	
DESC.:	
By:	PD
Scale:	As Noted
Job No.:	
Dwg. No.:	02-04
Status:	IN SUBMITTAL REVIEW
Date:	2019-07-08



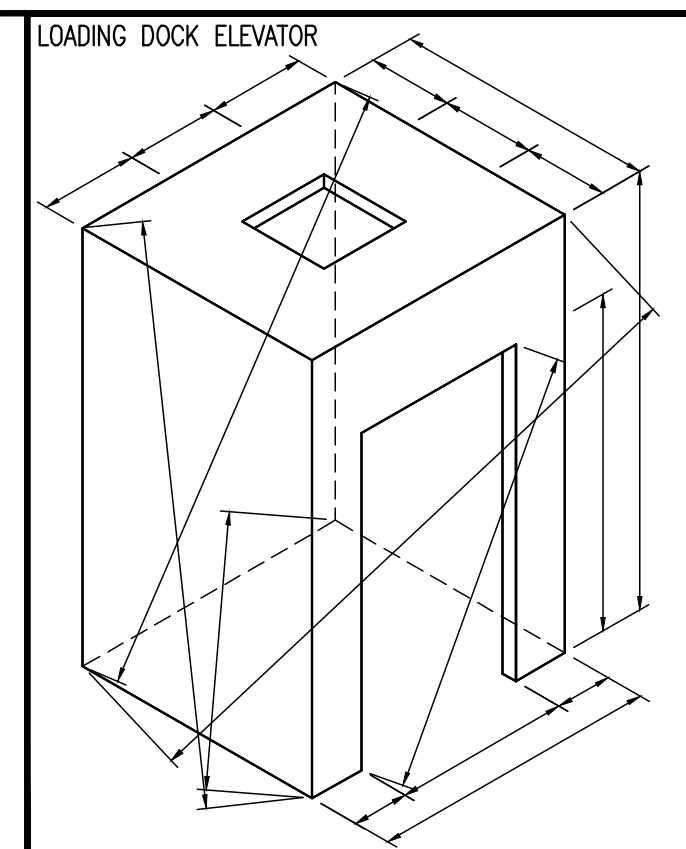
7301

< Back



ARCHITECT NOTE:
PLEASE VERIFY ALL WOOD
GRAIN DIRECTIONS.

ARCHITECT NOTE:
PLEASE VERIFY
DIMENSIONS.



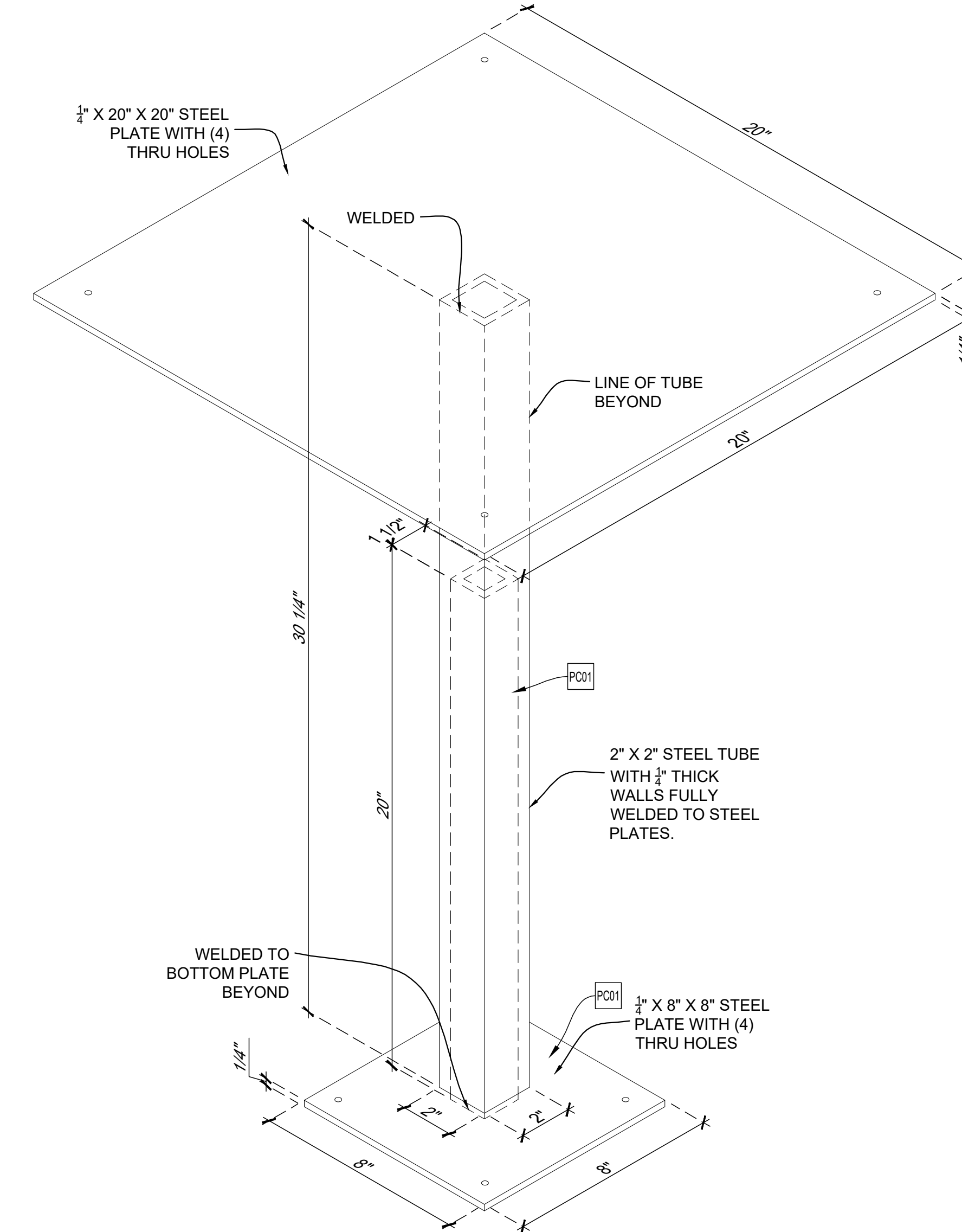
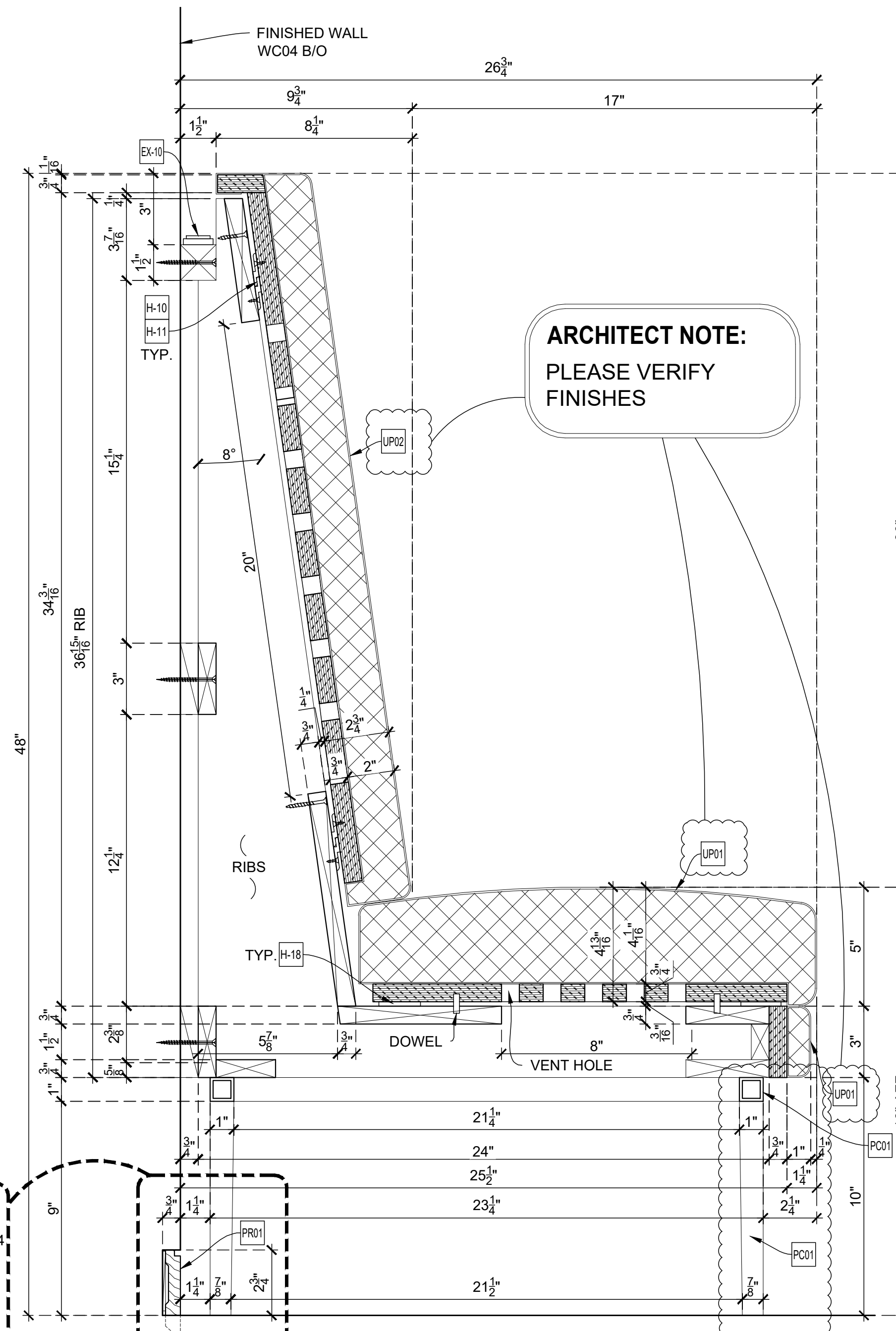
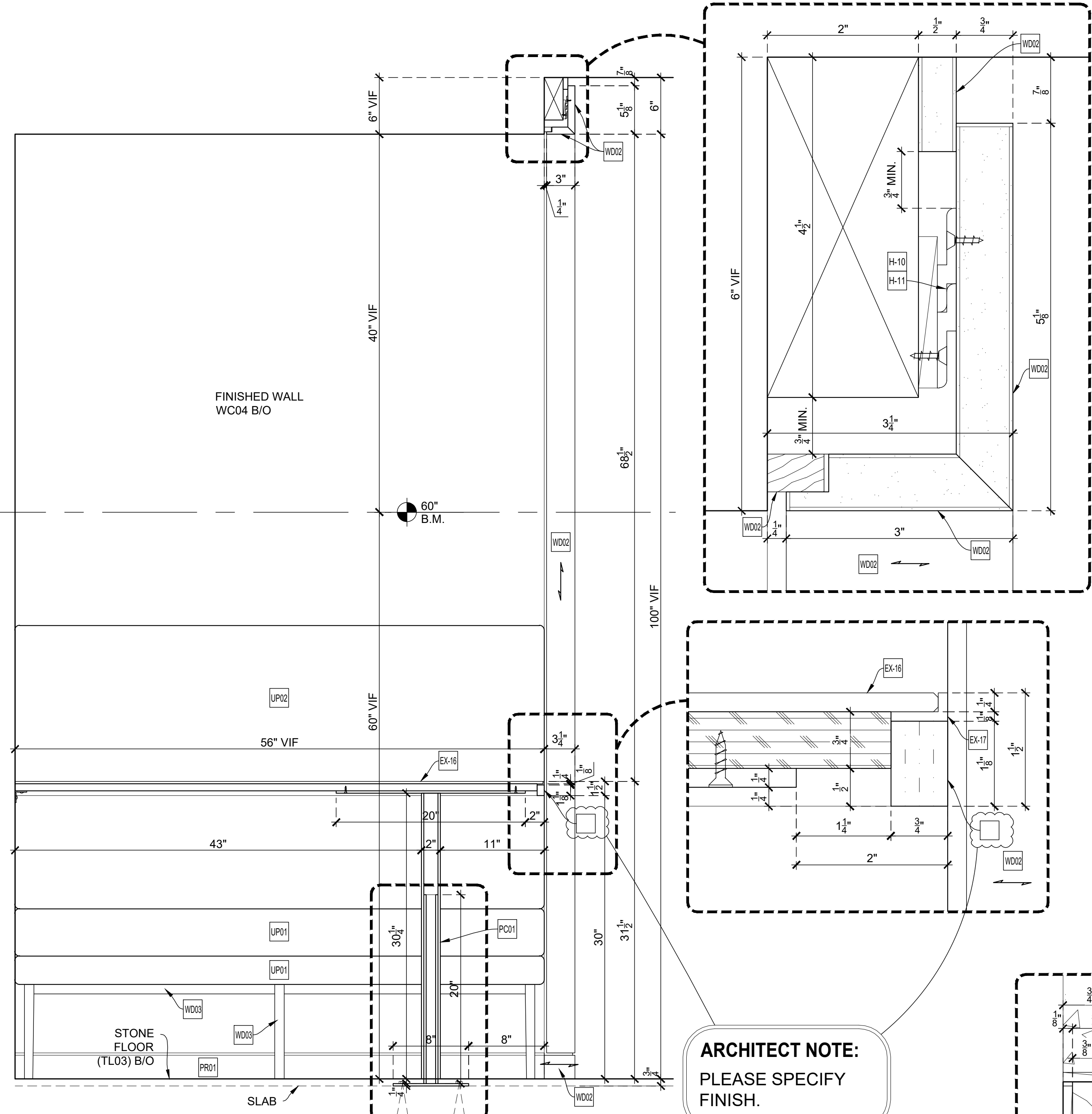
⊗ Loose to field
⊠ Fixed in shop

R 02-05
VERTICAL SECTION
SCALE: 1-1/2" = 1'-0"
ArchT Ref.: 1/A-960

S 02-05
VERTICAL SECTION
SCALE: 1-1/2" = 1'-0"
ArchT Ref.: 11/A-960

T 02-05
VERTICAL SECTION
SCALE: 1-1/2" = 1'-0"
ArchT Ref.: 2/A-960

U 02-05
VERTICAL SECTION
SCALE: 1-1/2" = 1'-0"
ArchT Ref.: 3/A-960



ARCHITECT NOTE:
PLEASE VERIFY
FINISHES

ARCHITECT NOTE:
TO THIN LEG MBR RECOMMENDS
METAL POWDER LEGS.
PLEASE VERIFY.

VW 02-05
VERTICAL SECTION
SCALE: 3" = 1'-0"
ArchT Ref.: 6/A-963

ISO1 02-05
ISOMETRIC VIEW OF TABLE LEG
SCALE: NTS
ArchT Ref.:
TOTAL 2 REQ'D.

ARCHITECT NOTE:
PLEASE SPECIFY
FINISH.

V 02-05
VERTICAL SECTION
SCALE: 1-1/2" = 1'-0"
ArchT Ref.: 9/A-963

EXCLUSIONS:

- EX-4 STONE COUNTERTOP
- EX-7 GLASS (GL05)
- H-19 CUP DISPENSER: CARLISLE #38850GEW (SS)
- EX-9 ACRYLIC TRAY
- EX-10 LIGHT FIXTURE (F11)
- EX-11 DOOR HARDWARE
- EX-16 GLASS (GL09)
- EX-17 1/8" THK ST. STL TRIM

DRAWING SUBMITTALS AND RETURNS

DATE	PURPOSE	TO	RETURN	RETURN STATUS

DRAWING REVISIONS

DATE	DESCRIPTION	REVISED BY	COMMENTS
1			
2			
3			
4			
5			
6			
7			
8			
9			
10			

RELEASES FOR FABRICATION

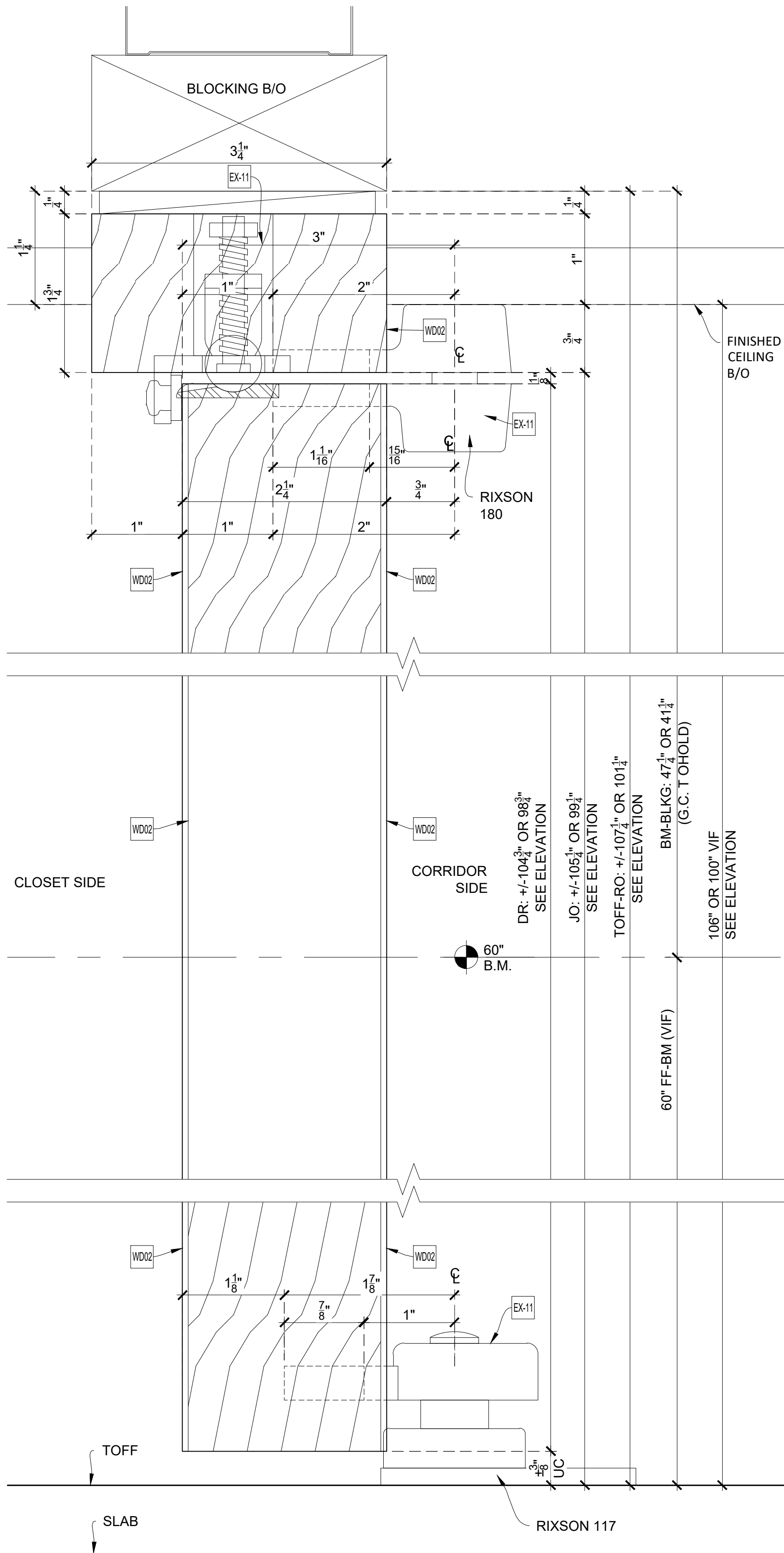
DATE	DESCRIPTION

TITLE:
ITEM NO:
DESC.: SECTIONS, DETAILS
DESC: CAFE PANTRY 3392

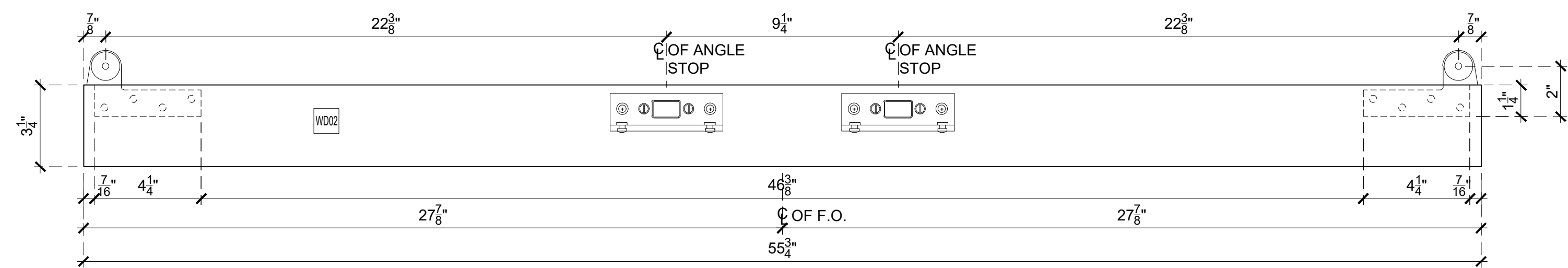
By: PD Scale: As Noted Job No. Dwg. No.
Status: IN SUBMITTAL REVIEW Date: 2019-07-08 **02-05**



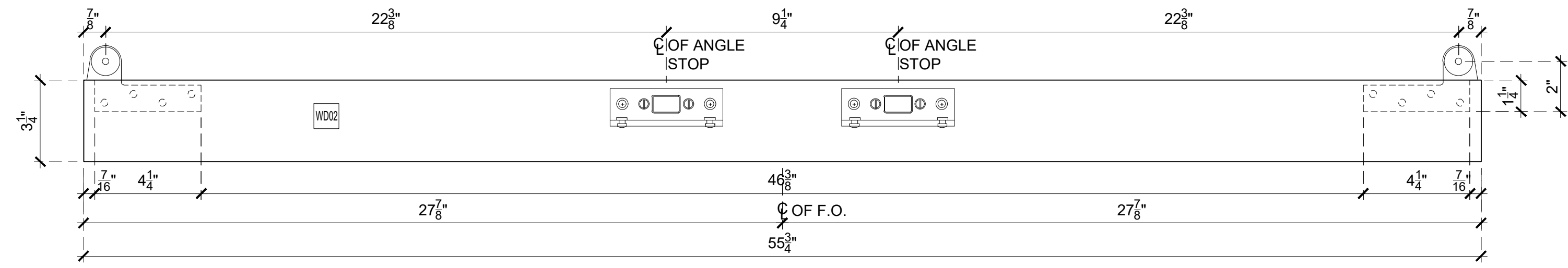
[Back](#)



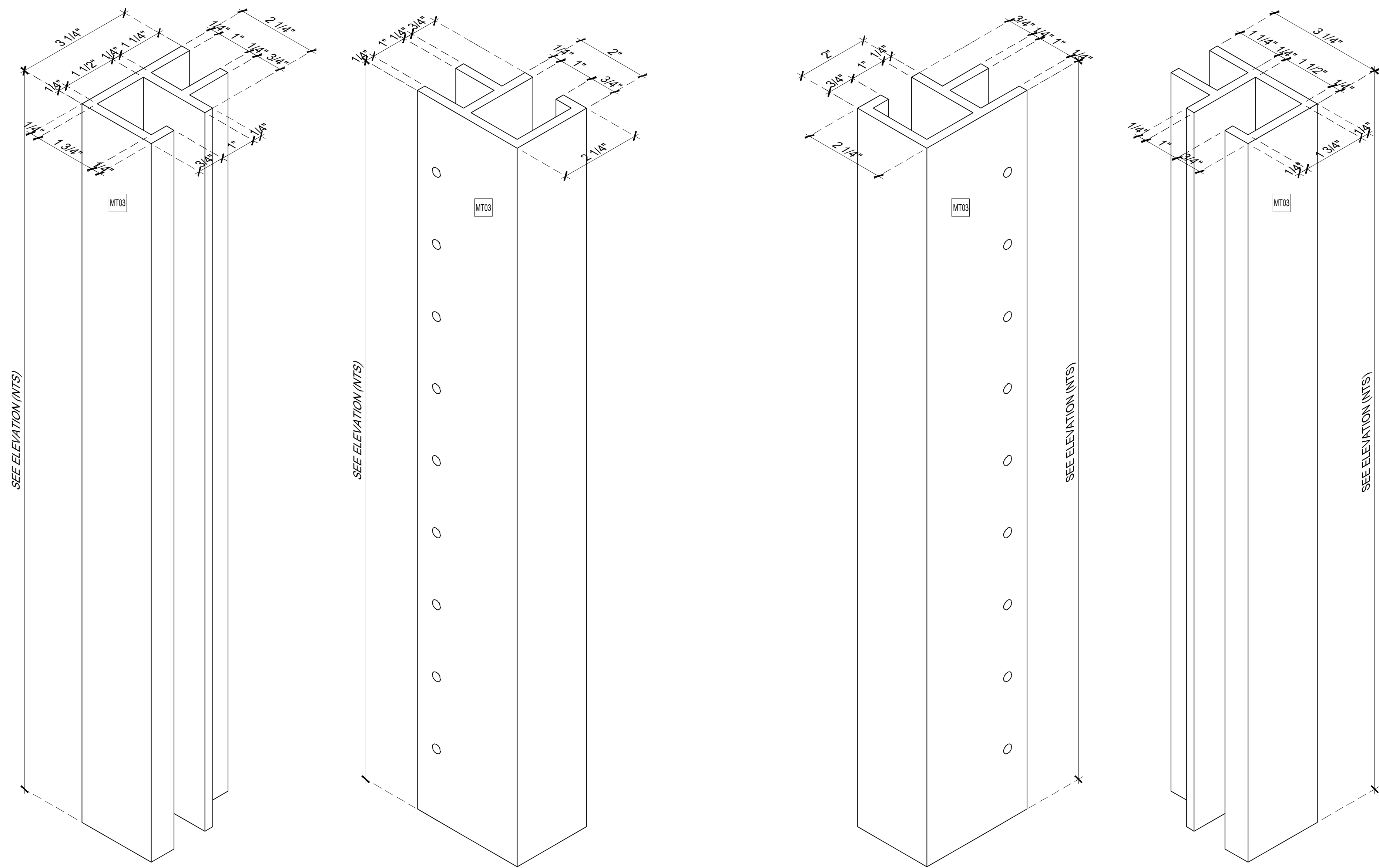
D-1 DETAIL
SCALE: FULL SCALE
Arch't Ref.: 15/A-940



BV-1 BENCH VIEW OF DOOR #3392B
SCALE: 3"-1'-0"
Arch't Ref.:

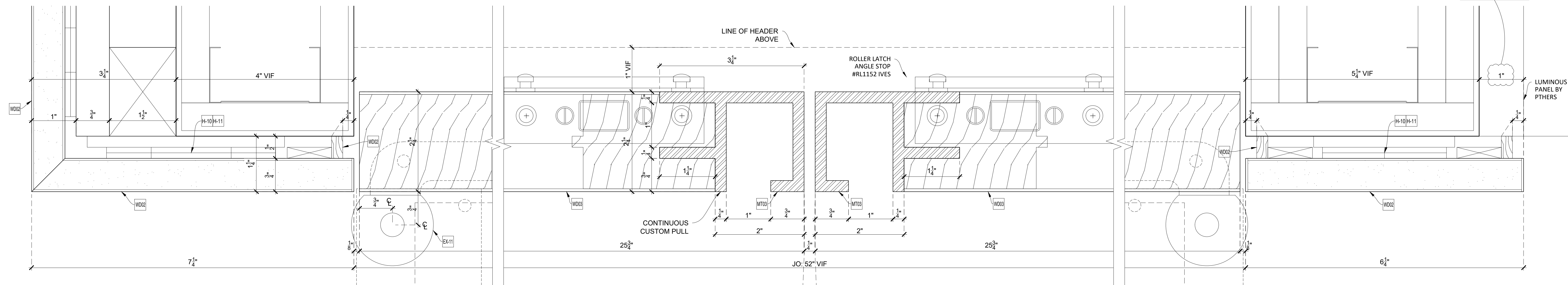


BV-2 BENCH VIEW OF DOOR #3392A
SCALE: 3"-1'-0"
Arch't Ref.:

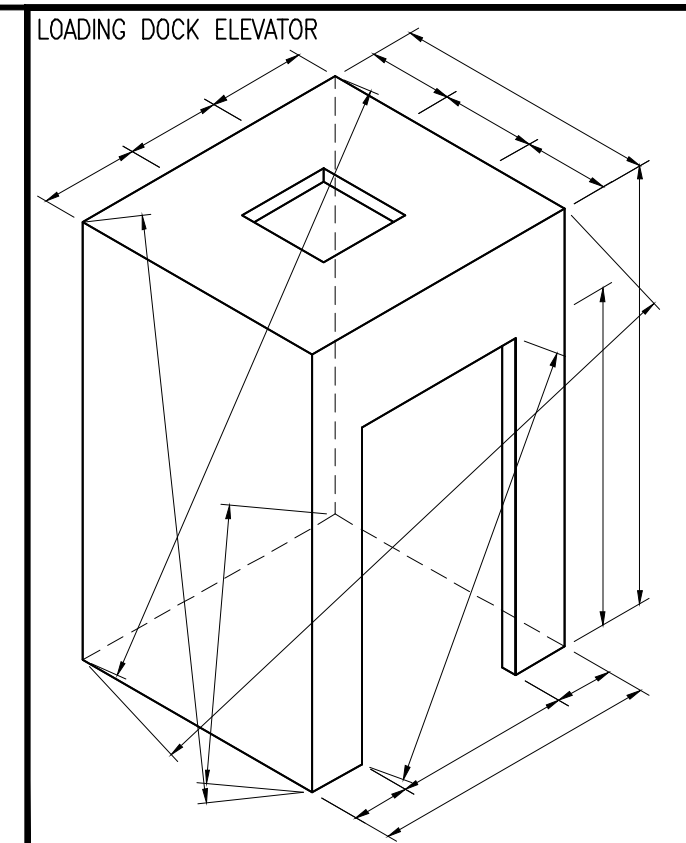


IS02 ISOMETRIC VIEW OF CUSTOM PULL
SCALE: NTS
Arch't Ref.:

IS03 ISOMETRIC VIEW OF CUSTOM PULL
SCALE: NTS
Arch't Ref.:



D-2 DETAIL
SCALE: FULL SCALE
Arch't Ref.: 4/A-940



Loose to field
Fixed in shop

THIS SPACE RESERVE FOR FINISH SCHEDULE

EXCLUSIONS:

EX-6	STONE COUNTERTOP
EX-7	GLASS (GL05)
H-10	CUP DISPENSER: CARLISLE #38850GEW (SS)
EX-9	ACRYLIC TRAY
EX-10	LIGHT FIXTURE (F11)
EX-11	DOOR HARDWARE
EX-16	GLASS (GL09)
EX-17	1/8" THK ST. STL TRIM

DRAWING SUBMITTALS AND RETURNS				
DATE	PURPOSE	TO	RETURN	RETURN STATUS

DRAWING REVISIONS			
DATE	DESCRIPTION	REVISED BY	COMMENTS
1			
2			
3			
4			
5			
6			
7			
8			
9			
10			

RELEASES FOR FABRICATION	
DATE	DESCRIPTION

TITLE:	SECTIONS, DETAILS		
ITEM NO:	CAFE PANTRY 3392		
DESC.:			
By:	PD	Scale: As Noted	Job No.
Status:	IN SUBMITTAL REVIEW	Date: 2019-07-08	Dwg. No. 02-06



 **Back**

DRAWING CHECKLIST

	BY	DATE	CHECKLIST FOR ORIGINAL DRAFTING	COMMENTS
✓	PD	2019-07-08	ARCHITECTURAL ELEVATIONS CHECKED AGAINST RCP FOR CEILING HEIGHTS AND SOFFITS	NO FOLLOW UP NEEDED
✓	PD	2019-07-08	DRAWINGS CHECKED FOR INCLUSION OF ALL ITEMS IN SCOPE	NO FOLLOW UP NEEDED
✓	NA	NA	NOTIFIED ENGINEERING MANAGER OF DISCREPANCIES BETWEEN SCOPE AND ARCHITECTURALS	NOT APPLICABLE
✓	PD	2019-07-08	MATERIALS CHECKED AGAINST SCOPE TO VERIFY WHETHER PROVIDED BY MB	NO FOLLOW UP NEEDED
✓	PD	2019-07-08	ALL FINISHES ACCURATELY LISTED AND ASSIGNED TO DRAWING	NO FOLLOW UP NEEDED
✓	PD	2019-07-08	ALL VISIBLE MILLWORK ELEVATED INCLUDING FINISHED END PANELS AND SOFFITS	NO FOLLOW UP NEEDED
✓	PD	2019-07-08	ALL MARKERS AND TAGS CHECKED AND VERIFIED TO BE CORRECT	NO FOLLOW UP NEEDED
✓	PD	2019-07-08	CASEWORK DRAWN PER MB STANDARDS WHEREVER POSSIBLE	NO FOLLOW UP NEEDED
✓	PD	2019-07-08	APPLIANCES CHECKED AGAINST CUTS AND CUSTOM PANEL DRAWINGS CREATED AS NEEDED	NO FOLLOW UP NEEDED
✓	PD	2019-07-08	DOOR HARDWARE SHOWN TO THE EXTENT POSSIBLE PER HARDWARE SCHEDULE AND CUTS	NO FOLLOW UP NEEDED
✓	PD	2019-07-08	HARDWARE LOCATIONS DIMENSIONED OR REQUESTED FROM ENGINEERING MANAGER	NO FOLLOW UP NEEDED
✓	PD	2019-07-08	TITLE BLOCK FILLED OUT COMPLETELY AND ACCURATELY - IE SHEET NUMBERS AND DESCRIPTIONS	NO FOLLOW UP NEEDED
✓	PD	2019-07-08	ALL CABINET HARDWARE ACCURATELY LISTED INCLUDING FINISHES	NO FOLLOW UP NEEDED
✓	PD	2019-07-08	ALL SPELLING CHECKED AND VERIFIED TO BE CORRECT	NO FOLLOW UP NEEDED
✓	PD	2019-07-08	MODEL SPACE LEFT CLEAN OF UN-NEEDED GEOMETRY	NO FOLLOW UP NEEDED
✓	PD	2019-07-08	NOTES REGARDING WATERPROOF CORES INCLUDED WHERE APPLICABLE	NO FOLLOW UP NEEDED
✓	PD	2019-07-08	ELEVATIONS DRAWN WITH REFERENCES TO BENCHMARK	NO FOLLOW UP NEEDED
✓	PD	2019-07-08	ALL ROUGH OPENINGS CLEARLY DIMENSIONED AND REFERENCED TO BENCHMARK	NO FOLLOW UP NEEDED
✓	PD	2019-07-08	ALL DOORS BY MB TAGGED CORRECTLY IN MODELSPACE	NO FOLLOW UP NEEDED
✓	PD	2019-07-08	ALL DOOR SWINGS VERIFIED TO BE SHOWN AND SCHEDULED CORRECTLY	NO FOLLOW UP NEEDED

USE ATTRIBUTE EDIT COMMAND ON AN ITEM TO EDIT USERNAME, DATE, AND COMMENTS

✓	PD	2019-07-08	CHECKLIST ITEM	NO FOLLOW UP NEEDED
↓	PD	2019-07-08	CHECKLIST ITEM	NEEDS FOLLOW UP
✓	NA	NA	CHECKLIST ITEM	NOT APPLICABLE

Date Drawn:	2019-07-08	Dwg# 02
Drawn by:	PD	

Z:\08219\Programs\Bentley\Bentley\Bentley.dwg

< Back

REVISION CHECKLIST

BY	DATE	CHECKLIST FOR DRAWING REVISIONS	COMMENTS
		ALL REDLINE REVISIONS MADE AND HIGHLIGHTED ON PRINTED COPY	
		ALL IMPLICATIONS OF REDLINE MARKUPS CONSIDERED AND CORRECTED	
		ENGINEERING MANAGER NOTIFIED VIA EMAIL OF ALL POSSIBLE CHANGE ORDERS	
		ALL VISIBLE MILLWORK ELEVATED INCLUDING FINISHED END PANELS AND SOFFITS	
		PLAN AND VERTICAL SECTIONS CROSS CHECKED FOR ACCURACY	
		ALL MARKERS AND TAGS CHECKED AND VERIFIED TO BE CORRECT	
		ALL GRAIN DIRECTIONS CLEARLY INDICATED INCLUDING WOOD, METAL, AND PLAM FINISHES	
		APPLIANCES CHECKED AGAINST CUTS AND CUSTOM PANEL DRAWINGS CREATED AS NEEDED	
		DOOR HARDWARE SHOWN TO THE EXTENT POSSIBLE PER HARDWARE SCHEDULE AND CUTS	
		HARDWARE LOCATIONS DIMENSIONED OR REQUESTED FROM ENGINEERING MANAGER	
		ALL CABINET HARDWARE ACCURATELY LISTED INCLUDING FINISHES	
		ALL FINISHES ACCURATELY LISTED , INDICATED ON DRAWINGS, AND ASSIGNED TO SERIES	
		MATERIALS CHECKED AGAINST SCOPE TO VERIFY WHETHER PROVIDED BY MB	
		ALL NECESSARY FIELD DIMENSIONS INDICATED ON DRAWINGS	
		ALL FIELD DIMENSIONS APPLIED, ALL VIF DIMENSIONS REPLACED WTH FD	
		ENGINEERING MANAGER NOTIFIED OF MISSING FIELD DIMENSIONS	
		ALL +- INDICATIONS REMOVED EXCEPT WHERE SCRIBE IS INVOLVED	
		ALL LOOSE JOINTS INDICATED CLEARLY	
		COMPONENT SIZES CHECKED AGAINST ELEVATOR SIZE TO ENSURE ACCESS	
		UNUSED GEOMETRY DELETED FROM DRAWING	
		UNUSED PAPERSPACE TABS DELETED FROM DRAWING	
		ALL RESOLVED QUESTIONS, CLOUDS, AND NOTES REMOVED FROM DRAWING	
		ENGINEERING MANAGER NOTIFIED BY EMAIL OF ANY NEW ISSUES WHICH REQUIRE ANSWERS	
		ITEMS READY FOR FABRICATION CLEARLY INDICATED OR ITEMS ON HOLD CLEARLY INDICATED	

USE ATTRIBUTE EDIT COMMAND ON AN ITEM TO EDIT USERNAME, DATE, AND COMMENTS

<input checked="" type="checkbox"/>	DZALE	10/21/14	CHECKLIST ITEM	NO FOLLOW UP NEEDED
<input type="checkbox"/>	dzale	10/21/14	CHECKLIST ITEM	NEEDS FOLLOW UP
<input checked="" type="checkbox"/>	NA	NA	CHECKLIST ITEM	NOT APPLICABLE

Date Drawn:	X	Dwg#	X
Drawn by:	X		