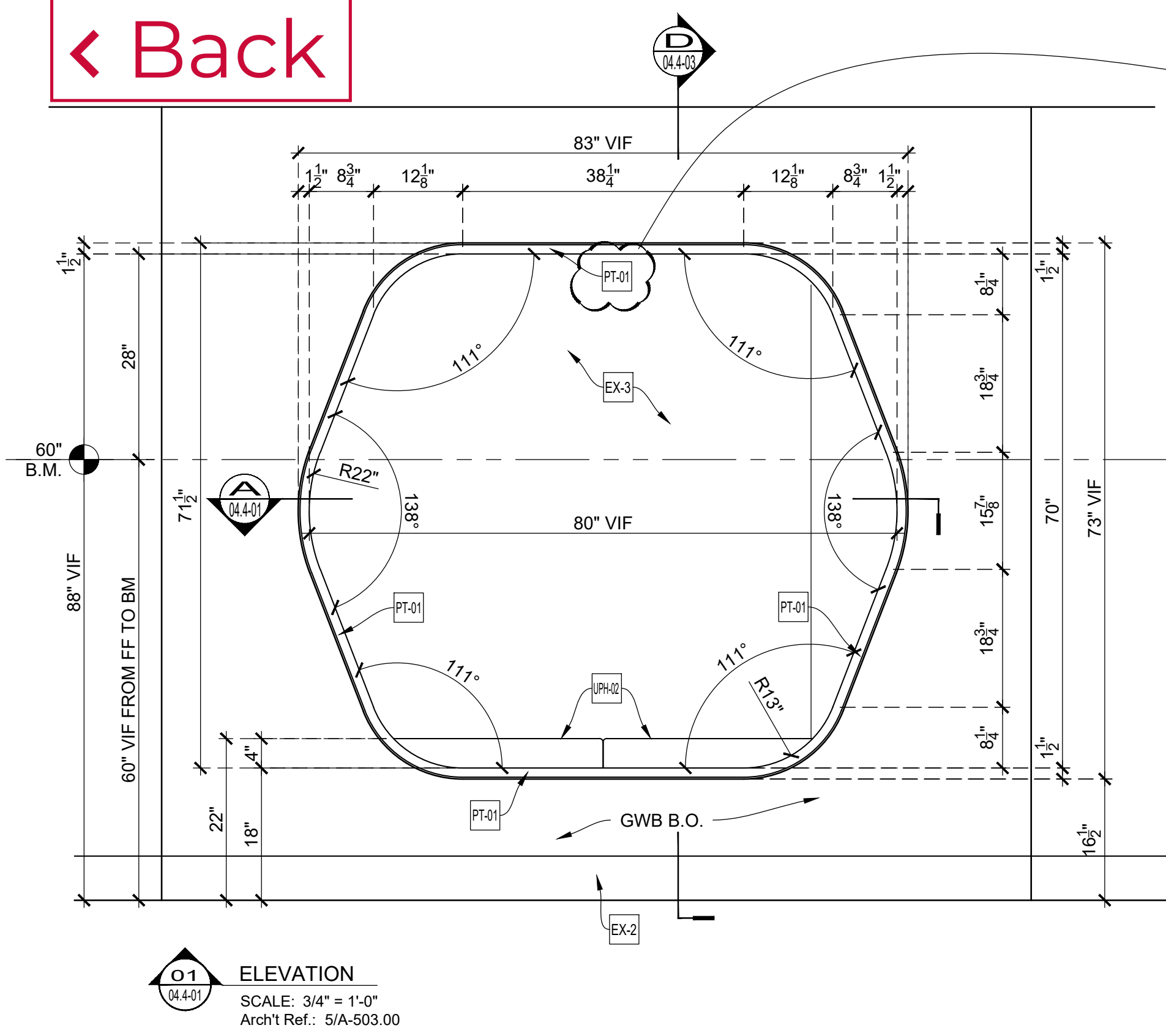
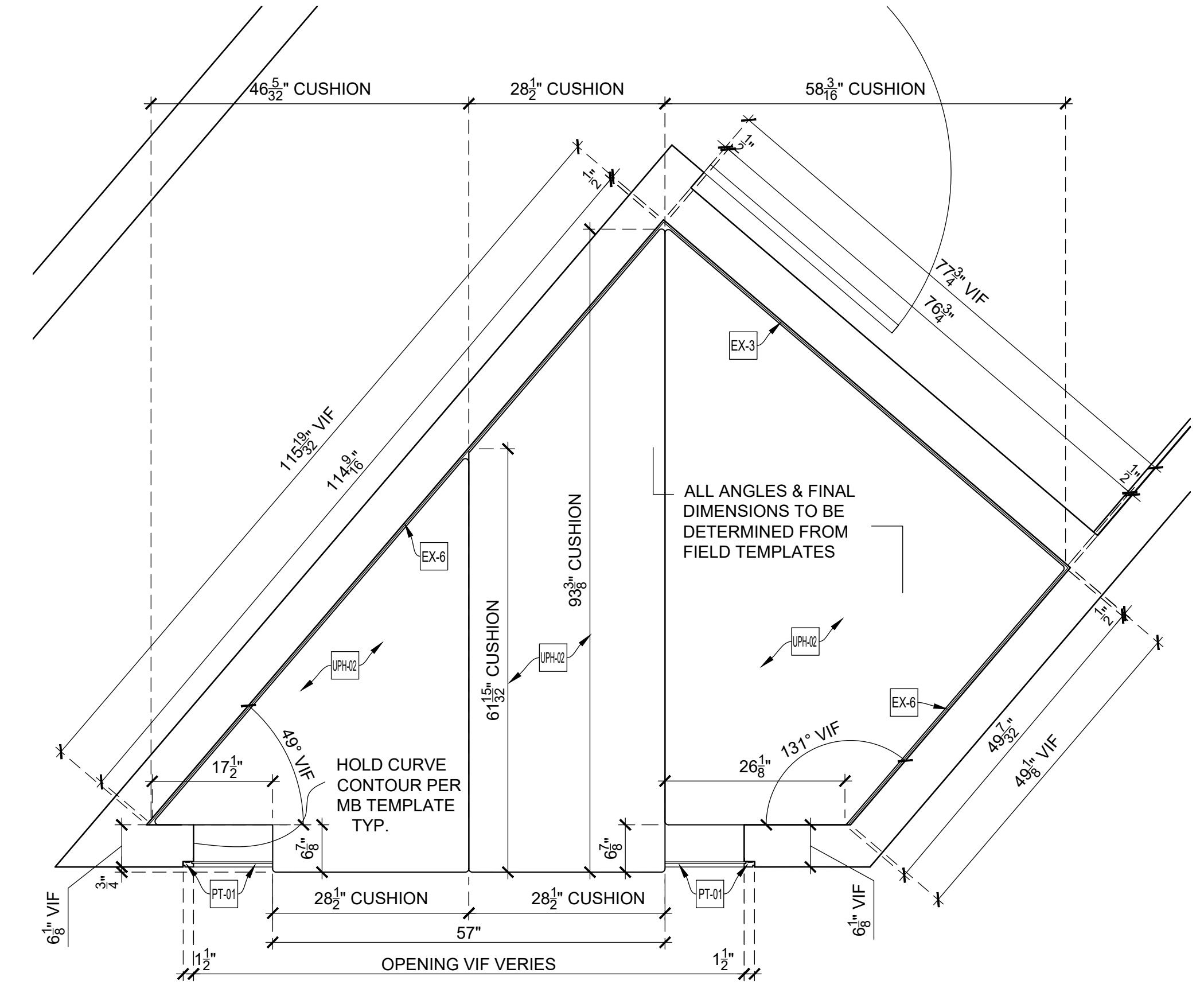
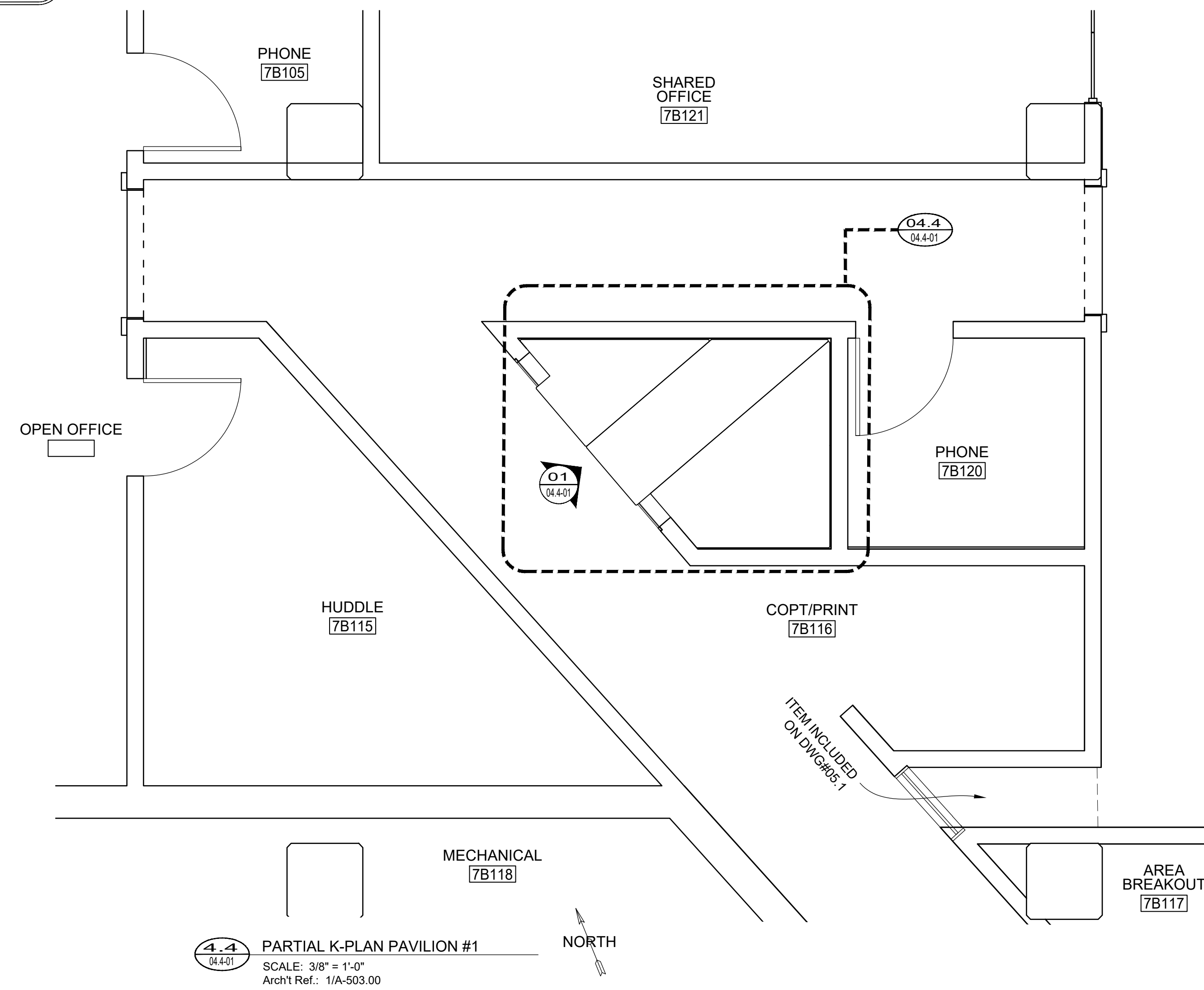


[← Back](#)

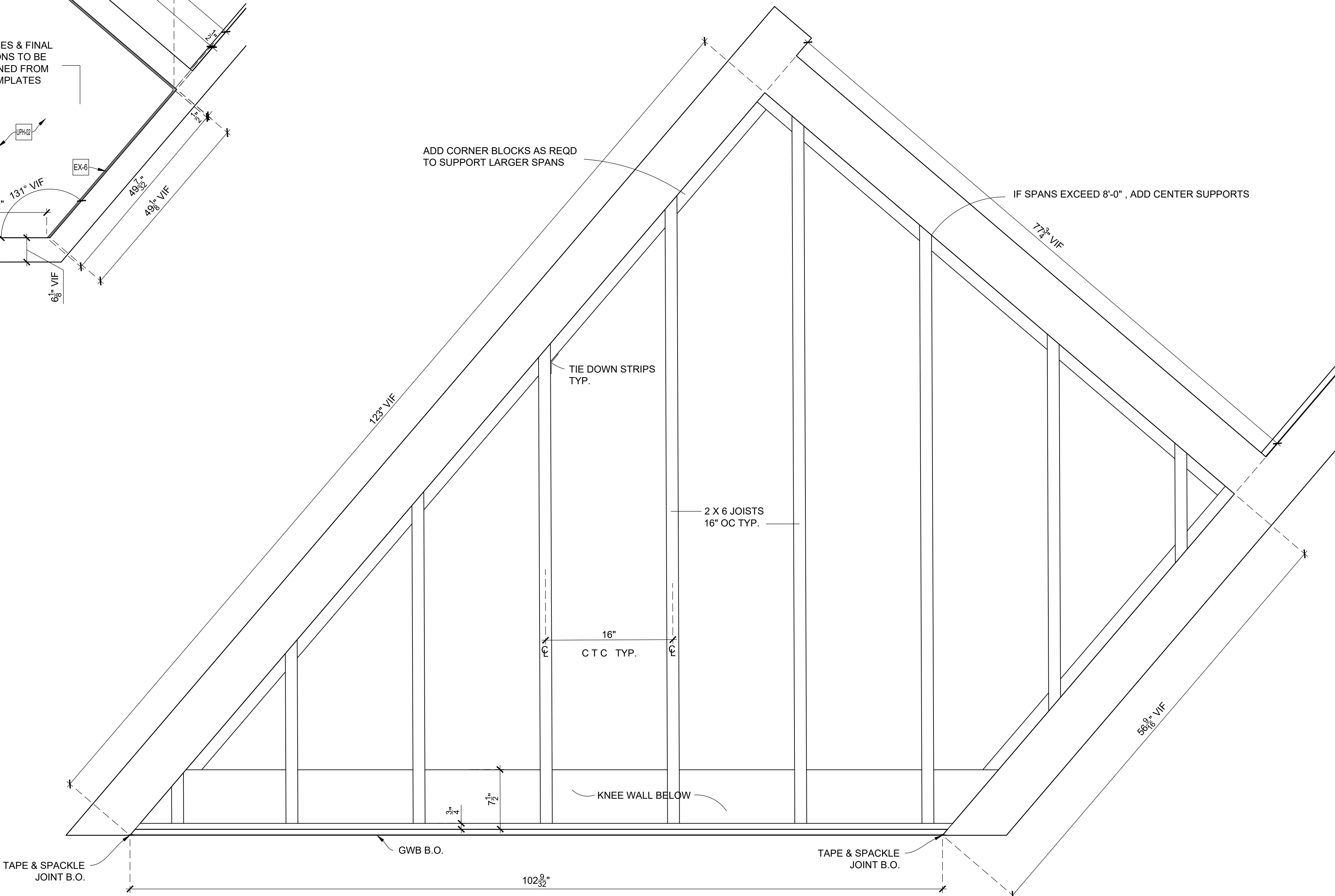


ARCHITECT NOTE:
PLEASE VERIFY FINISH (TYP.).



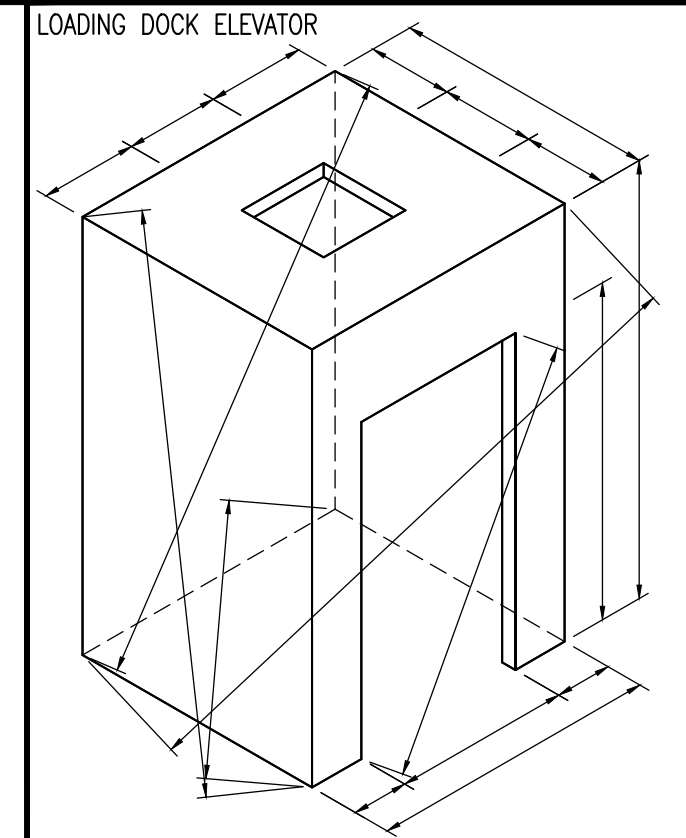
PLAN
SCALE: 1/2" = 1'-0"
Arch't Ref.: 1/A-107.00

ARCHITECT NOTE:
PLEASE VERIFY LOCATIONS OF CUSHION JOINTS, TYP.



PLAN SECTION
SCALE: 1-1/2" = 1'-0"
Arch't Ref.: NONE

GC NOTE:
SUPPORT SYSTEM HAS BEEN RE-ENGINEERED FOR ADDITIONAL STRENGTH AND SHORTER LEAD TIME



LOADING DOCK ELEVATOR
 ☒ Loose to field
 ☒ Fixed in shop

THIS SPACE RESERVED FOR GENERAL NOTES

THIS SPACE RESERVED FOR FINISH SCHEDULE

EXCLUSIONS:

EX-2	RABBER BASE
EX-3	FELT WALL PANEL (AWP-01)
EX-4	FELT WALL PANEL (AWP-04)
EX-5	FELT WALL PANEL (AWP-07)
EX-6	FELT WALL PANEL (AWP-08)
EX-7	FELT WALL PANEL (AWP-09)
EX-8	FELT WALL PANEL (AWP-10)

DRAWING SUBMITTALS AND RETURNS

DATE	PURPOSE	TO	RETURN	RETURN STATUS

DRAWING REVISIONS

DATE	DESCRIPTION	REVISED BY	COMMENTS
1			
2			
3			
4			
5			
6			
7			
8			
9			
10			

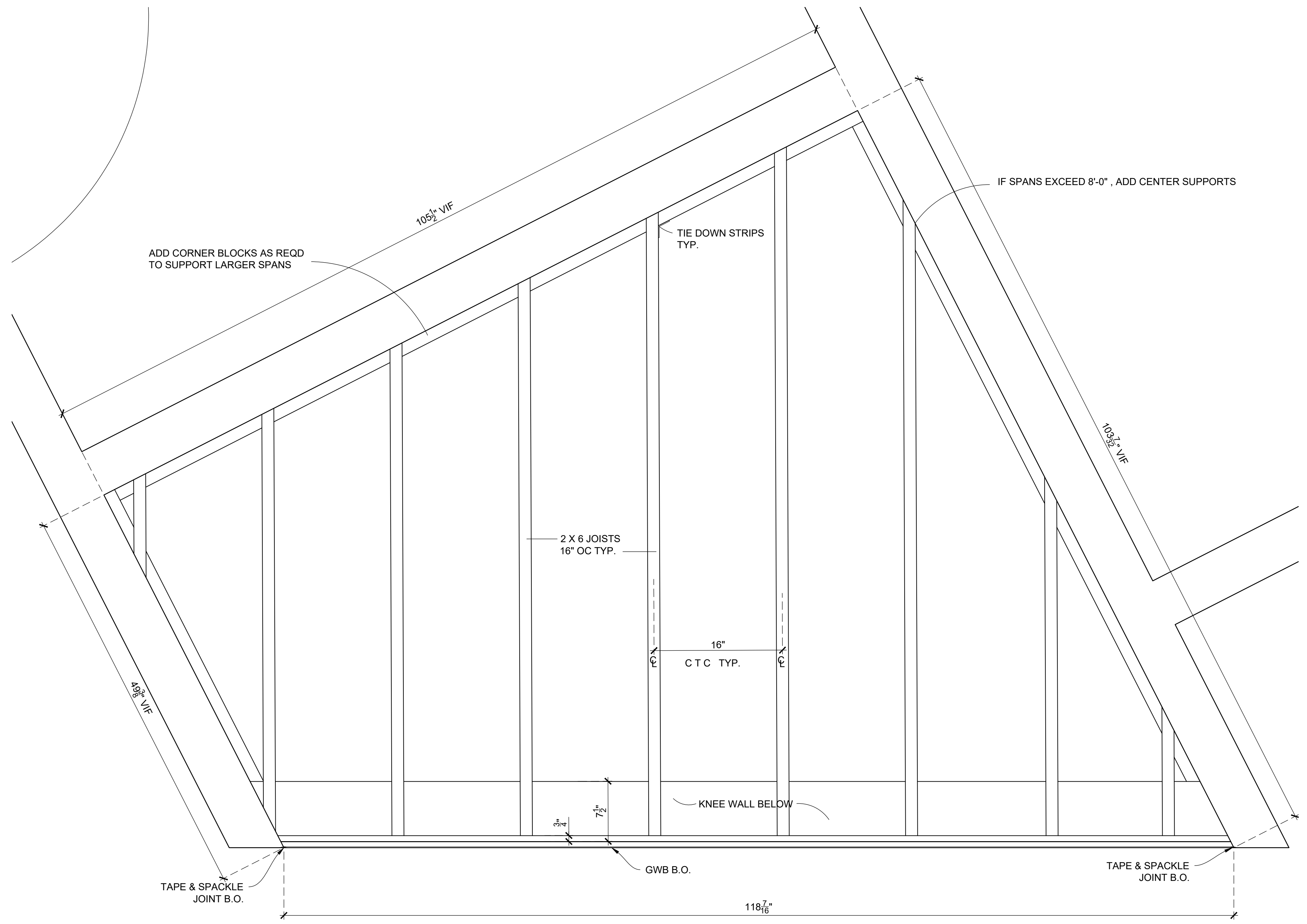
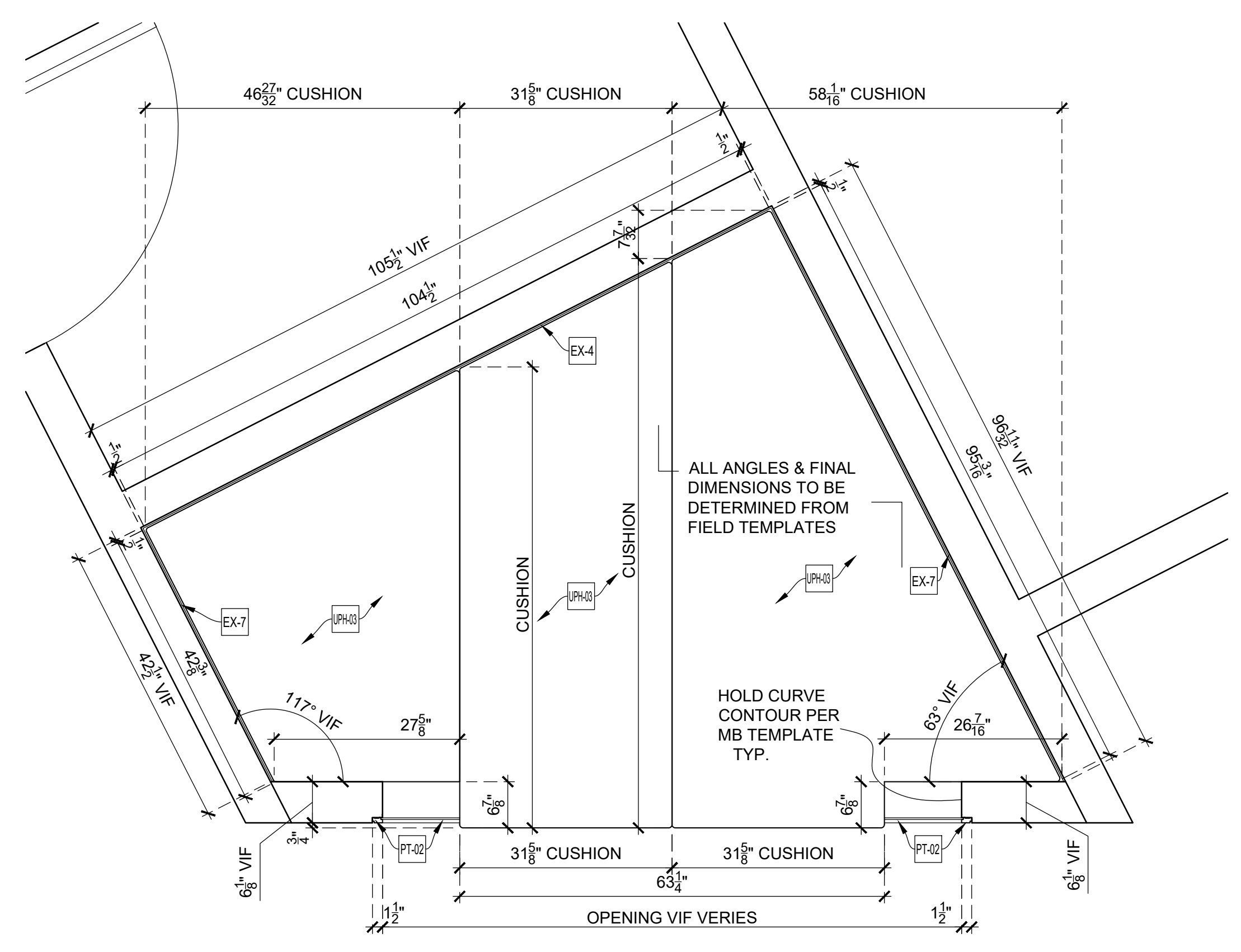
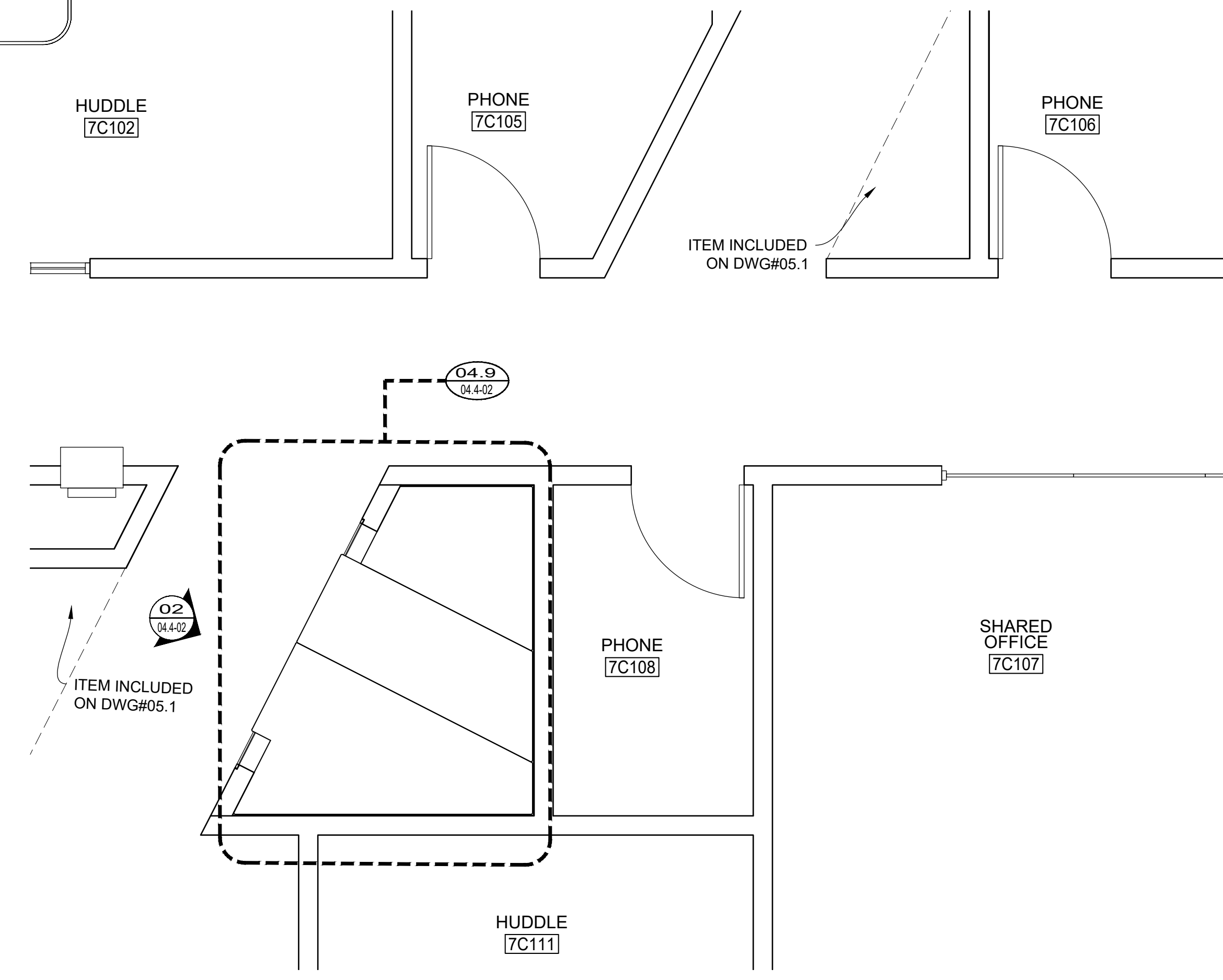
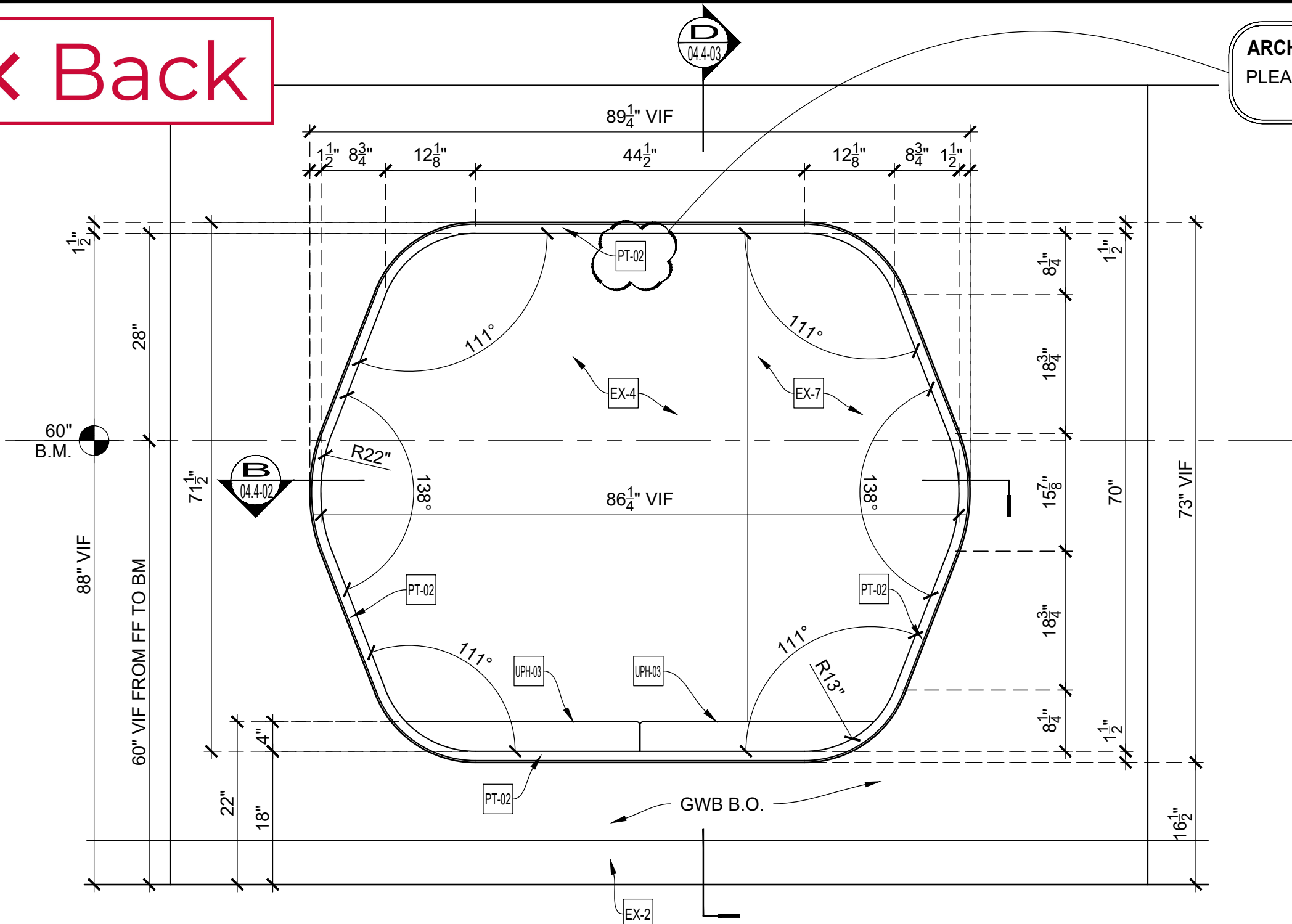
RELEASES FOR FABRICATION

DATE	DESCRIPTION

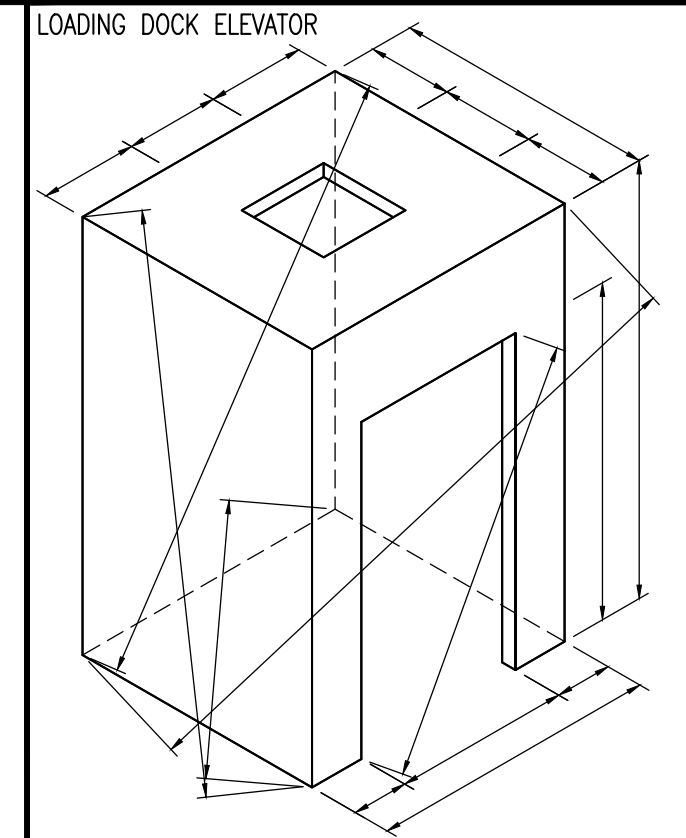


[Back](#)

ARCHITECT NOTE:
PLEASE VERIFY FINISH (TYP.).



GC NOTE:
SUPPORT SYSTEM HAS BEEN RE-ENGINEERED FOR ADDITIONAL STRENGTH AND SHORTER LEAD TIME



Loose to field
Fixed in shop

THIS SPACE RESERVED FOR FINISH SCHEDULE

EXCLUSIONS:

EX-2	RABBER BASE
EX-3	FELT WALL PANEL (AWP-01)
EX-4	FELT WALL PANEL (AWP-04)
EX-5	FELT WALL PANEL (AWP-07)
EX-6	FELT WALL PANEL (AWP-08)
EX-7	FELT WALL PANEL (AWP-09)
EX-8	FELT WALL PANEL (AWP-10)

DRAWING SUBMITTALS AND RETURNS

DATE	PURPOSE	TO	RETURN	RETURN STATUS

DRAWING REVISIONS

DATE	DESCRIPTION	REVISED BY	COMMENTS
1			
2			
3			
4			
5			
6			
7			
8			
9			
10			

RELEASES FOR FABRICATION

DATE	DESCRIPTION

TITLE:
ITEM NO:
DESC.: ELEVATION, PLAN, PARTIAL K-PLAN, PLAN SECTION
DESC.: PAVILION #2 BENCHES

By: PD Scale: As Noted Job No. Dwg. No.
Status: In Submittal Review Date: 2019-03-25 **04.4-02**



[← Back](#)

DRAWING CHECKLIST

BY	DATE	CHECKLIST FOR ORIGINAL DRAFTING	COMMENTS
✓ PD	2019-03-25	ARCHITECTURAL ELEVATIONS CHECKED AGAINST RCP FOR CEILING HEIGHTS AND SOFFITS	
✓ PD	2019-03-25	DRAWINGS CHECKED FOR INCLUSION OF ALL ITEMS IN SCOPE	
✓ NA	NA	NOTIFIED ENGINEERING MANAGER OF DISCREPANCIES BETWEEN SCOPE AND ARCHITECTURALS	
✓ PD	2019-03-25	MATERIALS CHECKED AGAINST SCOPE TO VERIFY WHETHER PROVIDED BY MB	
✓ PD	2019-03-25	ALL FINISHES ACCURATELY LISTED AND ASSIGNED TO DRAWING	
✓ PD	2019-03-25	ALL VISIBLE MILLWORK ELEVATED INCLUDING FINISHED END PANELS AND SOFFITS	
✓ PD	2019-03-25	ALL MARKERS AND TAGS CHECKED AND VERIFIED TO BE CORRECT	
✓ PD	2019-03-25	CASEWORK DRAWN PER MB STANDARDS WHEREVER POSSIBLE	
✓ NA	NA	APPLIANCES CHECKED AGAINST CUTS AND CUSTOM PANEL DRAWINGS CREATED AS NEEDED	
✓ NA	NA	DOOR HARDWARE SHOWN TO THE EXTENT POSSIBLE PER HARDWARE SCHEDULE AND CUTS	
✓ NA	NA	HARDWARE LOCATIONS DIMENSIONED OR REQUESTED FROM ENGINEERING MANAGER	
✓ PD	2019-03-25	TITLE BLOCK FILLED OUT COMPLETELY AND ACCURATELY - IE SHEET NUMBERS AND DESCRIPTIONS	
✓ PD	2019-03-25	ALL CABINET HARDWARE ACCURATELY LISTED INCLUDING FINISHES	
✓ PD	2019-03-25	ALL SPELLING CHECKED AND VERIFIED TO BE CORRECT	
✓ PD	2019-03-25	MODEL SPACE LEFT CLEAN OF UN-NEEDED GEOMETRY	
✓ NA	NA	NOTES REGARDING WATERPROOF CORES INCLUDED WHERE APPLICABLE	
✓ PD	2019-03-25	ELEVATIONS DRAWN WITH REFERENCES TO BENCHMARK	
✓ NA	NA	ALL ROUGH OPENINGS CLEARLY DIMENSIONED AND REFERENCED TO BENCHMARK	
✓ NA	NA	ALL DOORS BY MB TAGGED CORRECTLY IN MODELSPACE	
✓ NA	NA	ALL DOOR SWINGS VERIFIED TO BE SHOWN AND SCHEDULED CORRECTLY	

USE ATTRIBUTE EDIT COMMAND ON AN ITEM TO EDIT USERNAME, DATE, AND COMMENTS

✓ PD	2019-xx-xx	CHECKLIST ITEM	NO FOLLOW UP NEEDED
⚠ PD	2019-xx-xx	CHECKLIST ITEM	NEEDS FOLLOW UP
✓ NA	NA	CHECKLIST ITEM	NOT APPLICABLE

Date Drawn:	2019-03-25	Dwg# <h1 style="margin: 0;">04.4</h1>
Drawn by:	PD	

Z:\CSI\In Progress\MB\BA\W231E_TPS18\Google CA CDP Equations\amboss\fig_04.4_Cover Front.dwg

