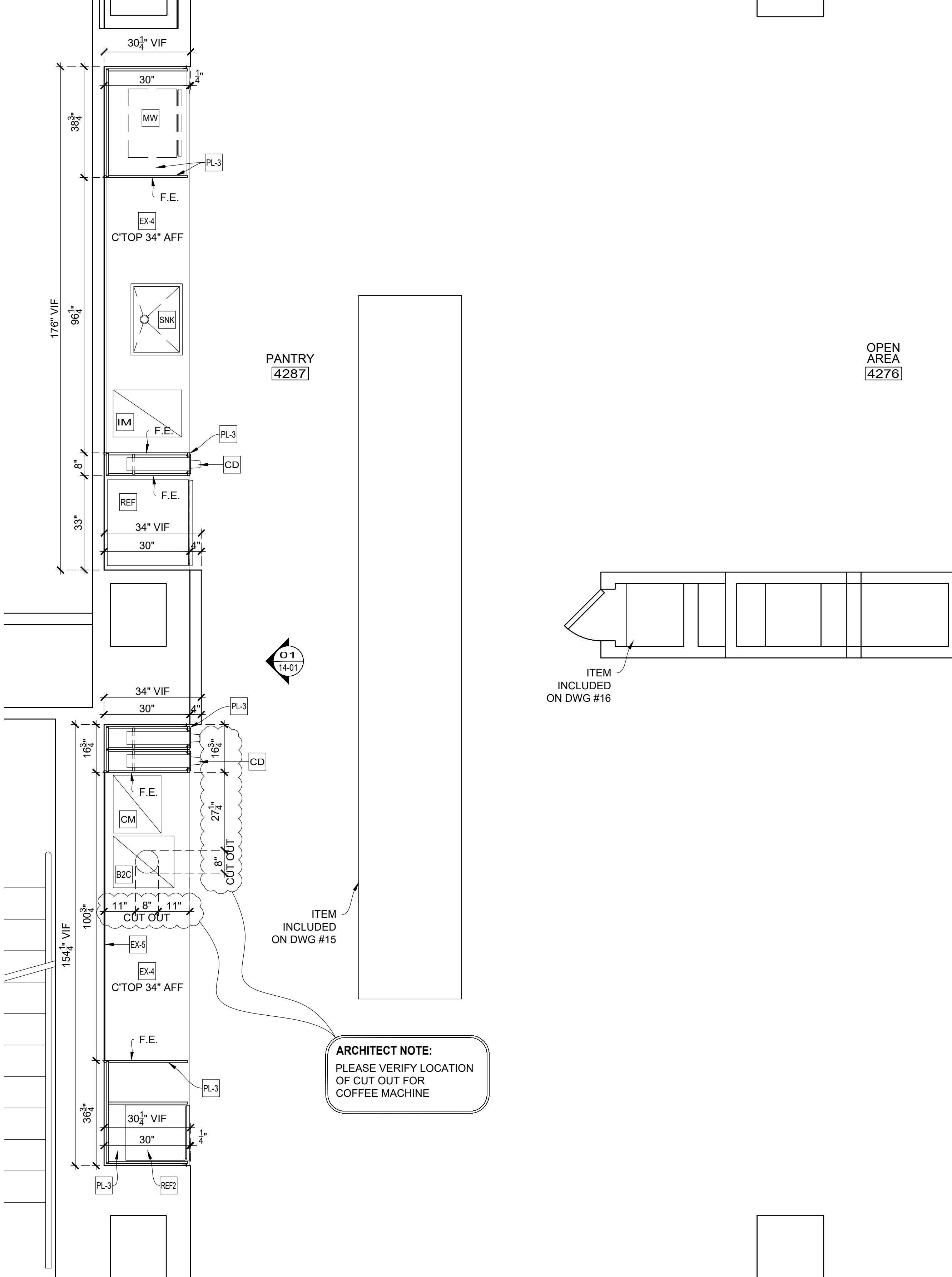
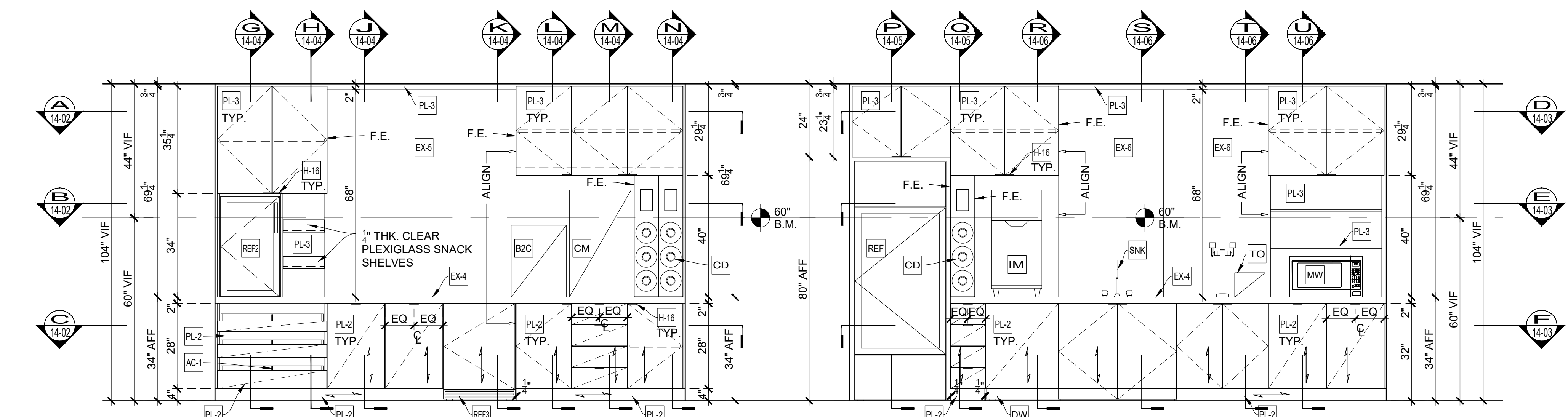


< Back



PLAN
SCALE: 1/2" = 1'-0"
Arch Ref: A-103.00

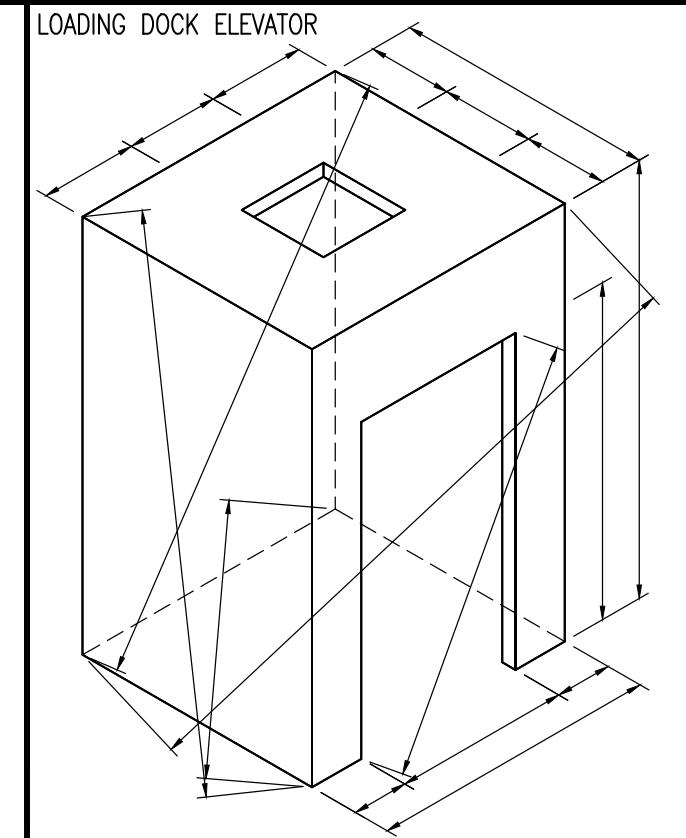


ELEVATION
SCALE: 1/2" = 1'-0"
Arch Ref: 1/A-202.00

EQUIPMENT LIST	
FURNISHED AND INSTALLED BY OTHERS	
B2C	COFFEE MACHINE, DE JONG DUKE #NIO 20.3 D: 21.3" W: 18.1" H: 23.6"
CD	CUP DISPENSER, DISPENSE-RITE #ADJ-2 D: _____ W: _____ H: (L): 22"
CM	COFFEE BREWER, CURTIS #TP15T TWIN D: 16.75" W: 20.25" H: 35.125"
DW	DISHWASHER, ASKO #DF1664 D: 22" W: 23-5/8" H: 32-3/4"
EX-7	LIGHT FIXTURE D: _____ W: _____ H: _____
IM	ICE MACHINE, HOSHIZAKI #DCM-270BAH D: 24" W: 16-1/2" H: 35-3/16"
MW	MICROWAVE, GE #PEST227SLSS, SS. STEEL D: 18-1/2" W: 24" H: 13-1/2"
REF	REFRIGERATOR, TRUE #GDM-26-HC-TSL01, SS. STEEL D: 29-7/8" W: 30" H: 78-5/8"
REF2	REFRIGERATOR, SUMMIT #SCR450LB17HV SS. STEEL D: 22.25" W: 19.38" H: 33.13"
REF3	REFRIGERATOR, SUMMIT #AL54IF D: 23.75" W: 23.63" H: 32.25"
SNK	SINK AND FAUCET, EXISTING D: _____ W: _____ H: _____
TO	TOASTER, EXISTING D: _____ W: _____ H: _____
VIV	WATER DISPENSER, VIVREAU #V3-205 D: 17" W: 14.7" H: 18.5"

ARCHITECT NOTE:
PLEASE PROVIDE APPROVED SPECIFICATION FOR COORDINATION

ARCHITECT NOTE:
ARCHITECT PLEASE VERIFY ALL GRAIN DIRECTIONS



Loose to field
Fixed in shop

THIS SPACE
RESERVE
FOR FINISH
DULE

APPLIANCE:

REF	GLASS FRONT REFRIGERATOR, TRUE #GDM-26-HC-TSL01, SS. STEEL
REF2	GLASS FRONT REFRIGERATOR, SUMMIT #SCR450LB17HV, SS. STEEL
REF3	UNDER-COUNTER REFRIGERATOR, SUMMIT #AL54IF
CM	COFFEE BREWER, CURTIS #TP15T TWIN
B2C	COFFEE MACHINE, DEJONG DUKE #NIO 20.3
CD	CUP DISPENSER, DISPENSE-RITE #ADJ-2
IM	COUNTER TOP ICE MAKER, HOSHIZAKI #DCM-270BAH
DW	DISHWASHER, ASKO #DF1664
SNK	SINK AND FAUCET, EXISTING
VIV	WATER DISPENSER, VIVREAU #V3-205
TO	TOASTER, EXISTING
MW	MICROWAVE, GE #PEST227SLSS, STAINLESS STEEL

EXCLUSIONS:

EX-4	SOLID SURF. (SS-2), CAESARSTONE COLOR #2003
EX-5	CERAMIC WALL TILE (CTW-1)
EX-6	WALL SLAB (ST-EX)
EX-7	LIGHT FIXTURE

DRAWING SUBMITTALS AND RETURNS

DATE	PURPOSE	TO	RETURN	RETURN STATUS

DRAWING REVISIONS

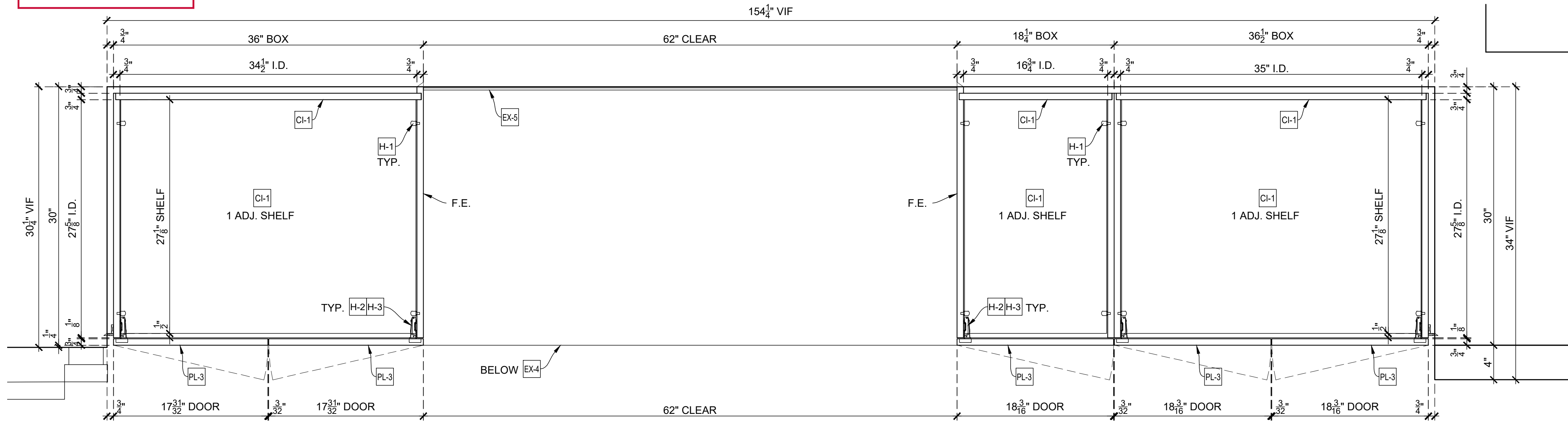
DATE	DESCRIPTION	REVISED BY	COMMENTS
1			
2			
3			
4			
5			
6			
7			
8			
9			
10			

RELEASES FOR FABRICATION

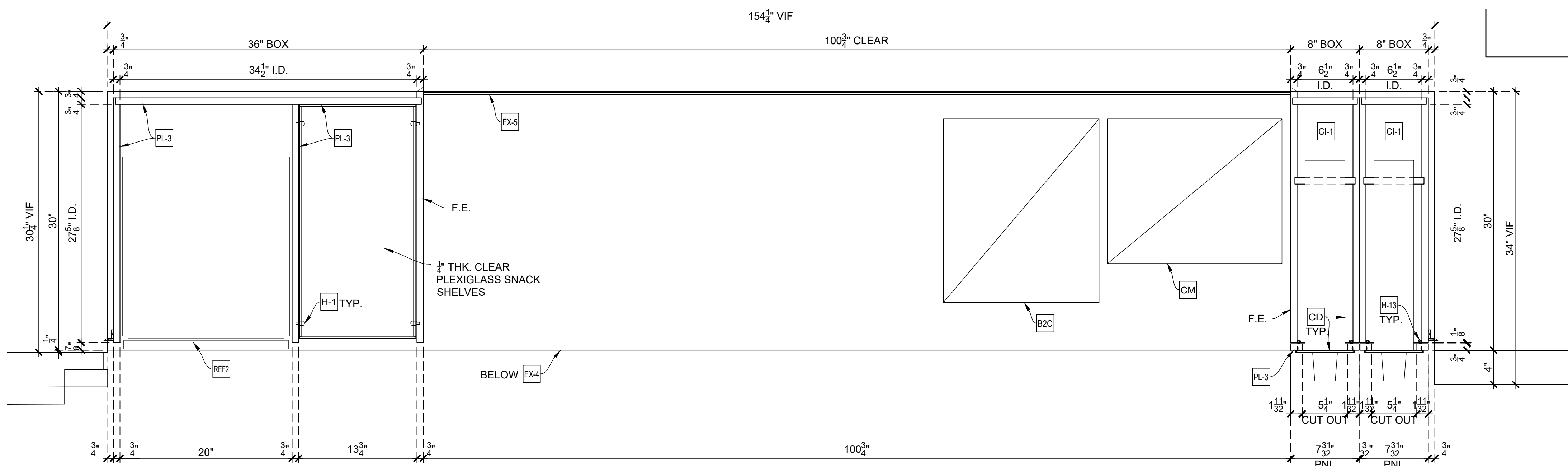
DATE	DESCRIPTION



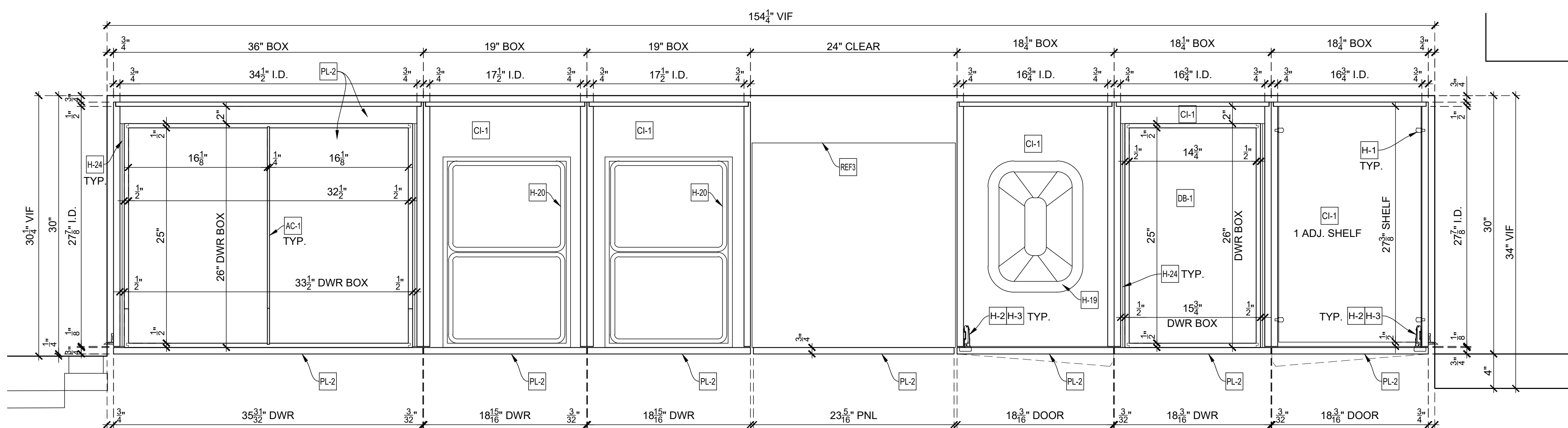
[← Back](#)



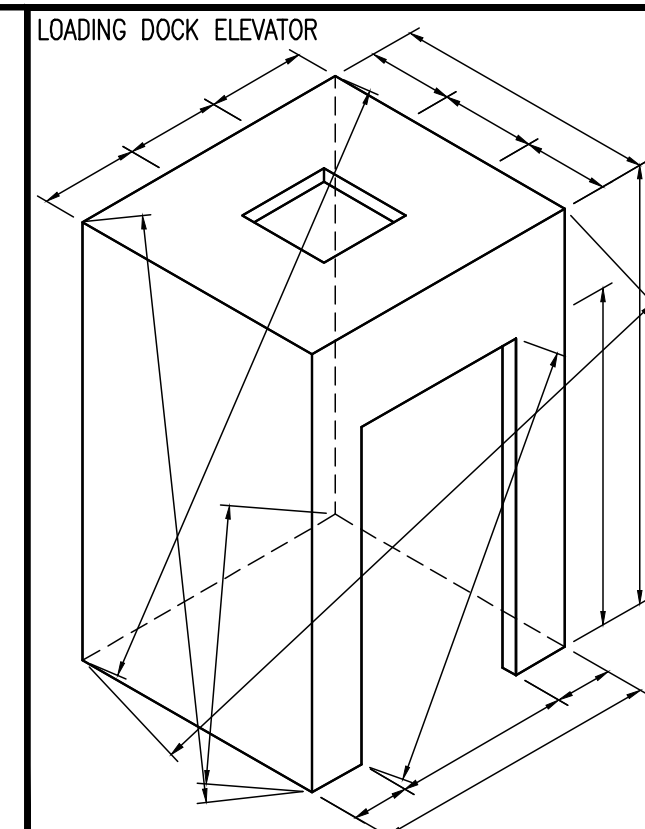
A PLAN SECTION
SCALE: 1-1/2" = 1'-0"
Arch Ref: N/A



B PLAN SECTION
SCALE: 1-1/2" = 1'-0"
Arch Ref: N/A



C PLAN SECTION
SCALE: 1-1/2" = 1'-0"
Arch Ref: N/A



⊠ Loose to field
⊞ Fixed in shop

THIS SPACE
RESERVE
FOR FINISH
DULE

APPLIANCE:

REF-1	GLASS FRON REFRIGERATOR, TRUE #GDM-26-HC-TSL01, SS, STEEL
REF-2	GLASS FRON REFRIGERATOR, SUMMIT #SCRA50LB17HV, SS, STEEL
REF-3	UNDER-COUNTER REFRIGERATOR, SUMMIT #AL54IF
B2C	COFFEE MACHINE, DEJONG DUKE #NIO 20.3
CM	COFFEE BREWER, CURTIS #TP15T TWIN
CD	CUP DISPENSER, DISPENSE-RITE #ADJ-2
IM	COUNTER TOP ICE MAKER, HOSHIZAKI #DCM-270BAH
DW	DISHWASHER, ASKO #RF1604
SNK	SINK AND FAUCET, EXISTING
VIV	WATER DISPENSER, VIVREAU #V3-205
TO	TOASTER, EXISTING
MW	MICROWAVE, GE #PEST227SLSS, STAINLESS STEEL

EXCLUSIONS:

EX-4	SOLID SURF. (SS-2), CAESARSTONE COLOR #2003
EX-5	CERAMIC WALL TILE (CTW-1)
EX-6	WALL SLAB (ST-EX)
EX-7	LIGHT FIXTURE

DRAWING SUBMITTALS AND RETURNS

DATE	PURPOSE	TO	RETURN	RETURN STATUS

DRAWING REVISIONS

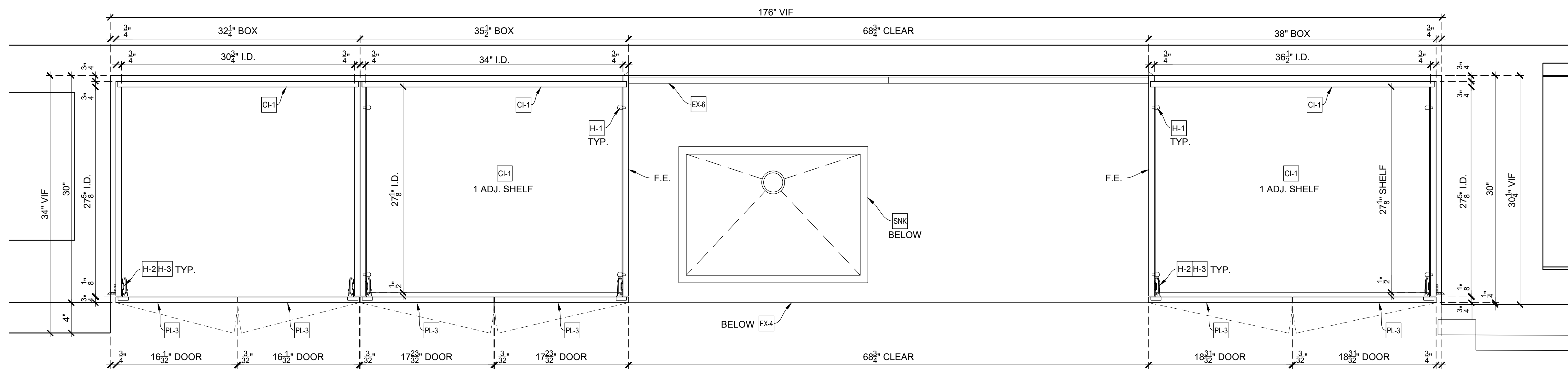
DATE	DESCRIPTION	REVISED BY	COMMENTS
1			
2			
3			
4			
5			
6			
7			
8			
9			
10			

RELEASES FOR FABRICATION

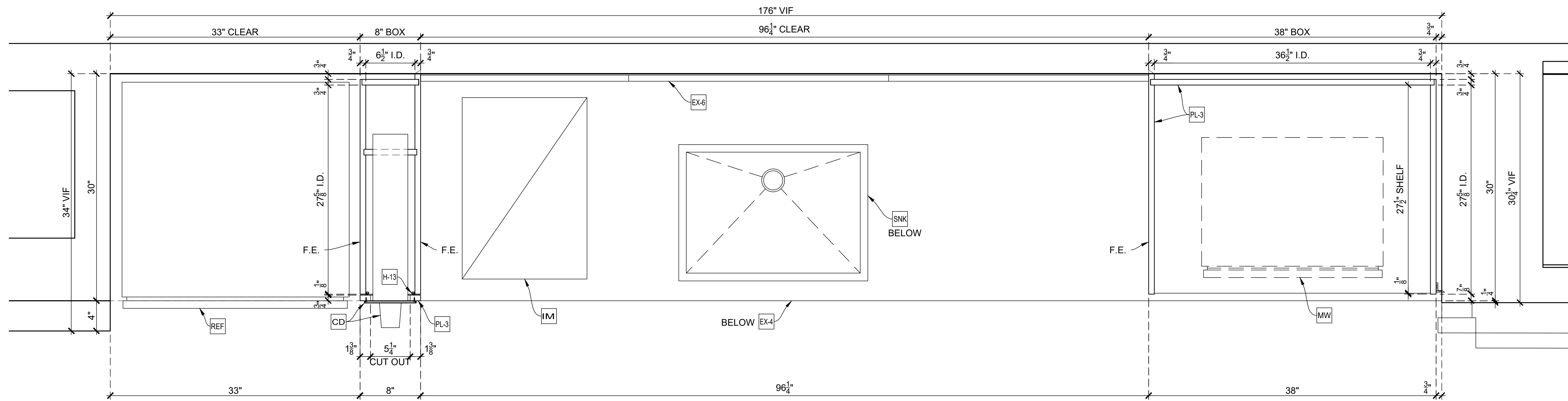
DATE	DESCRIPTION



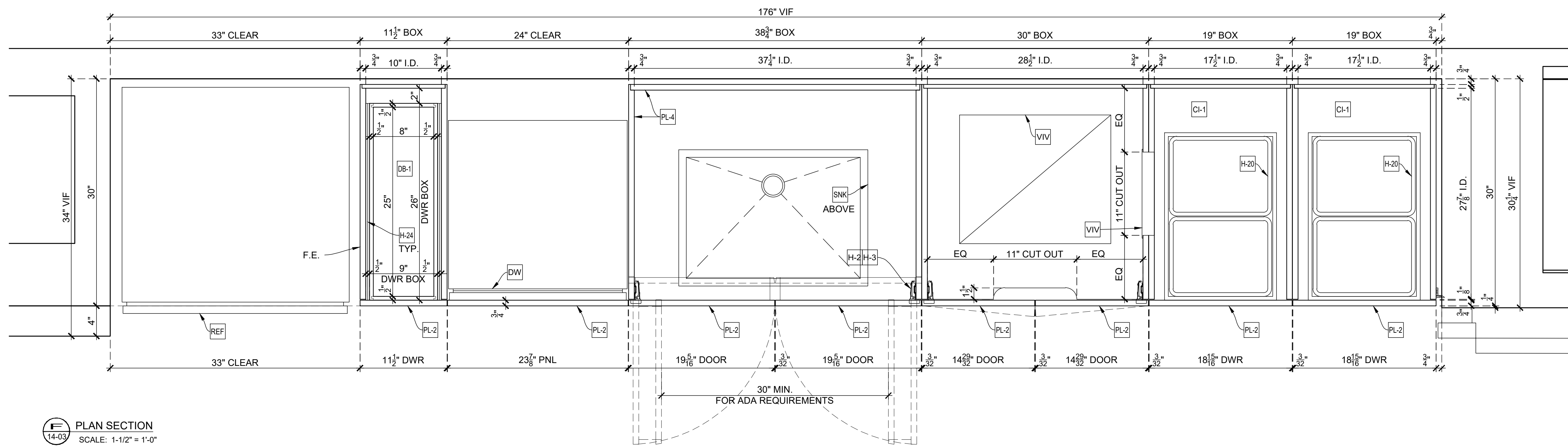
< Back



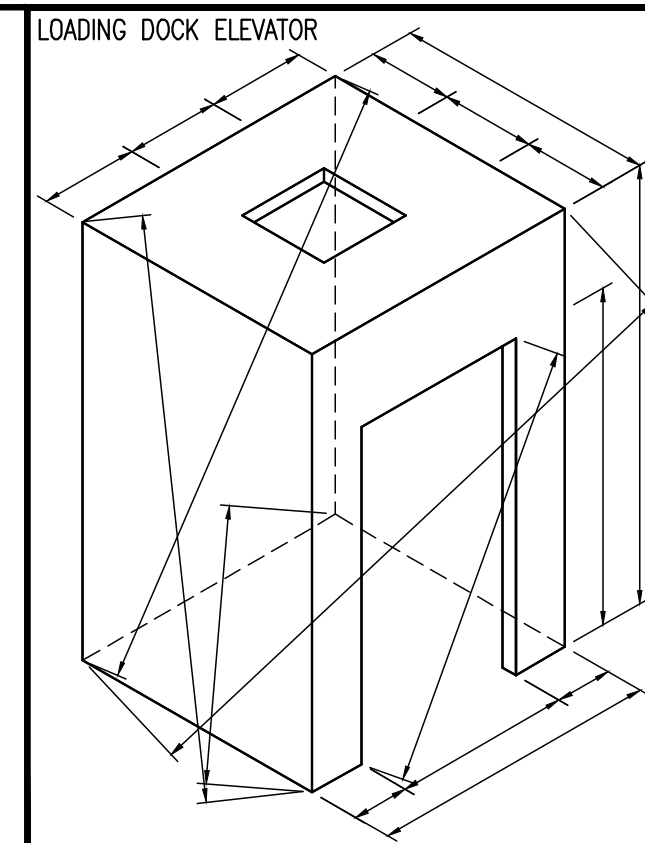
D PLAN SECTION
SCALE: 1-1/2" = 1'-0"
Arch't Ref.: N/A



E PLAN SECTION
SCALE: 1-1/2" = 1'-0"
Arch't Ref.: N/A



F PLAN SECTION
SCALE: 1-1/2" = 1'-0"
Arch't Ref.: N/A



LOADING DOCK ELEVATOR
 ☒ Loose to field
 ☒ Fixed in shop

THIS SPACE
RESERVE
FOR WASH
DULE

APPLIANCE:

REF-1	GLASS FRON REFRIGERATOR, TRUE #GDM-26-HC-TSL01, SS, STEEL
REF-2	GLASS FRON REFRIGERATOR, SUMMIT #SCR450LB17HV, SS, STEEL
REF-3	UNDER-COUNTER REFRIGERATOR, SUMMIT #AL54IF
CM	COFFEE BREWER, CURTIS #TP15T TWIN
CD	CUP DISPENSER, DISPENSE-RITE #ADJ-2
IM	COUNTER TOP ICE MAKER, HOSHIZAKI #DCM-270BAH
DW	DISHWASHER, ASKO #RF1604
SNK	SINK AND FAUCET, EXISTING
VIV	WATER DISPENSER, VIVREAU #V3-205
TO	TOASTER, EXISTING
MW	MICROWAVE, GE #PE87227SLSS, STAINLESS STEEL

EXCLUSIONS:

EX-4	SOLID SURF. (SS-2), CAESARSTONE COLOR #2003
EX-5	CERAMIC WALL TILE (CTW-1)
EX-6	WALL SLAB (ST-EX)
EX-7	LIGHT FIXTURE

DRAWING SUBMITTALS AND RETURNS

DATE	PURPOSE	TO	RETURN	RETURN STATUS

DRAWING REVISIONS

DATE	DESCRIPTION	REVISED BY	COMMENTS
1			
2			
3			
4			
5			
6			
7			
8			
9			
10			

RELEASES FOR FABRICATION

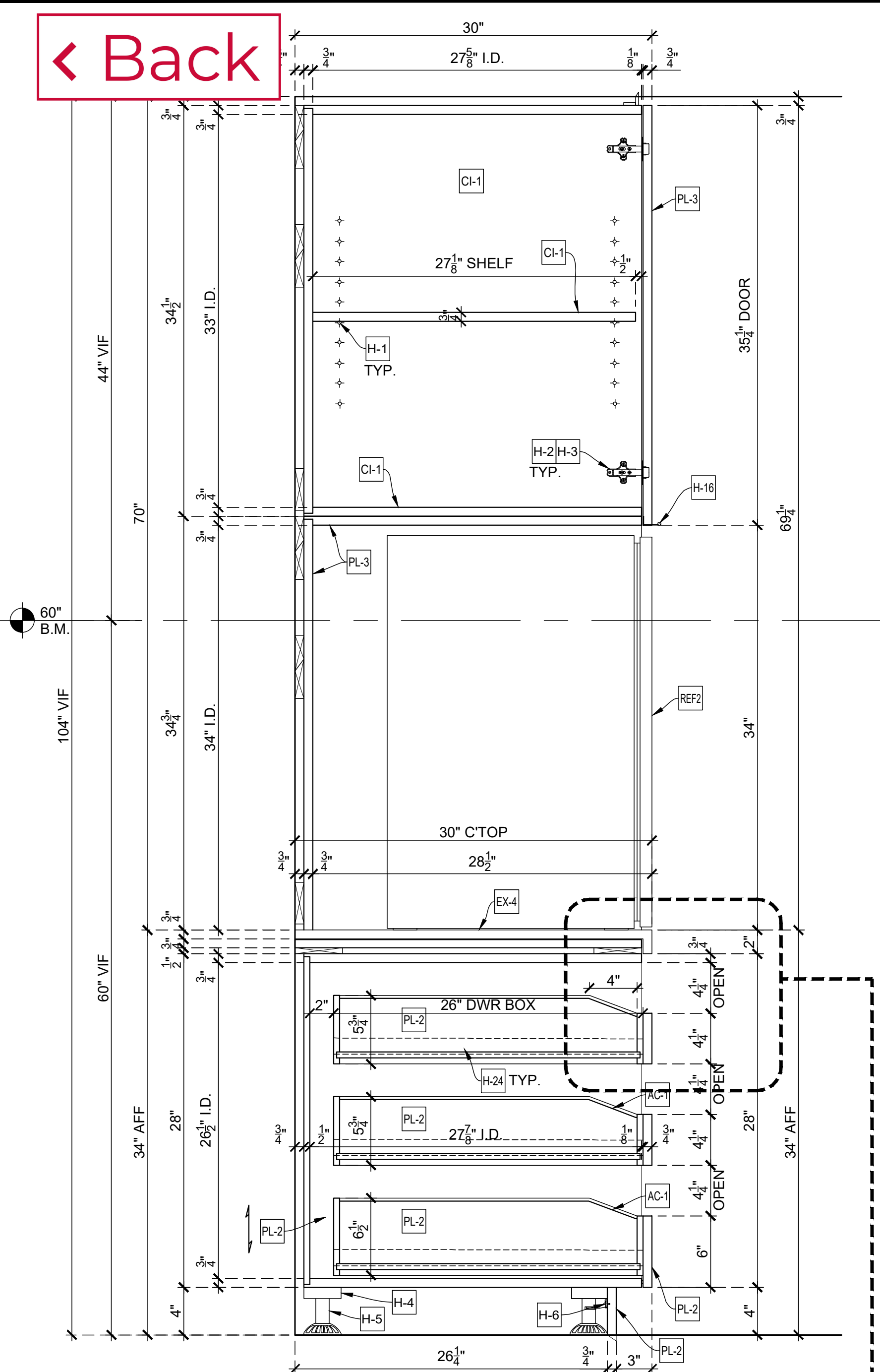
DATE	DESCRIPTION

TITLE:
ITEM NO:
DESC.: SECTIONS
DESC.: PANTRY 4287

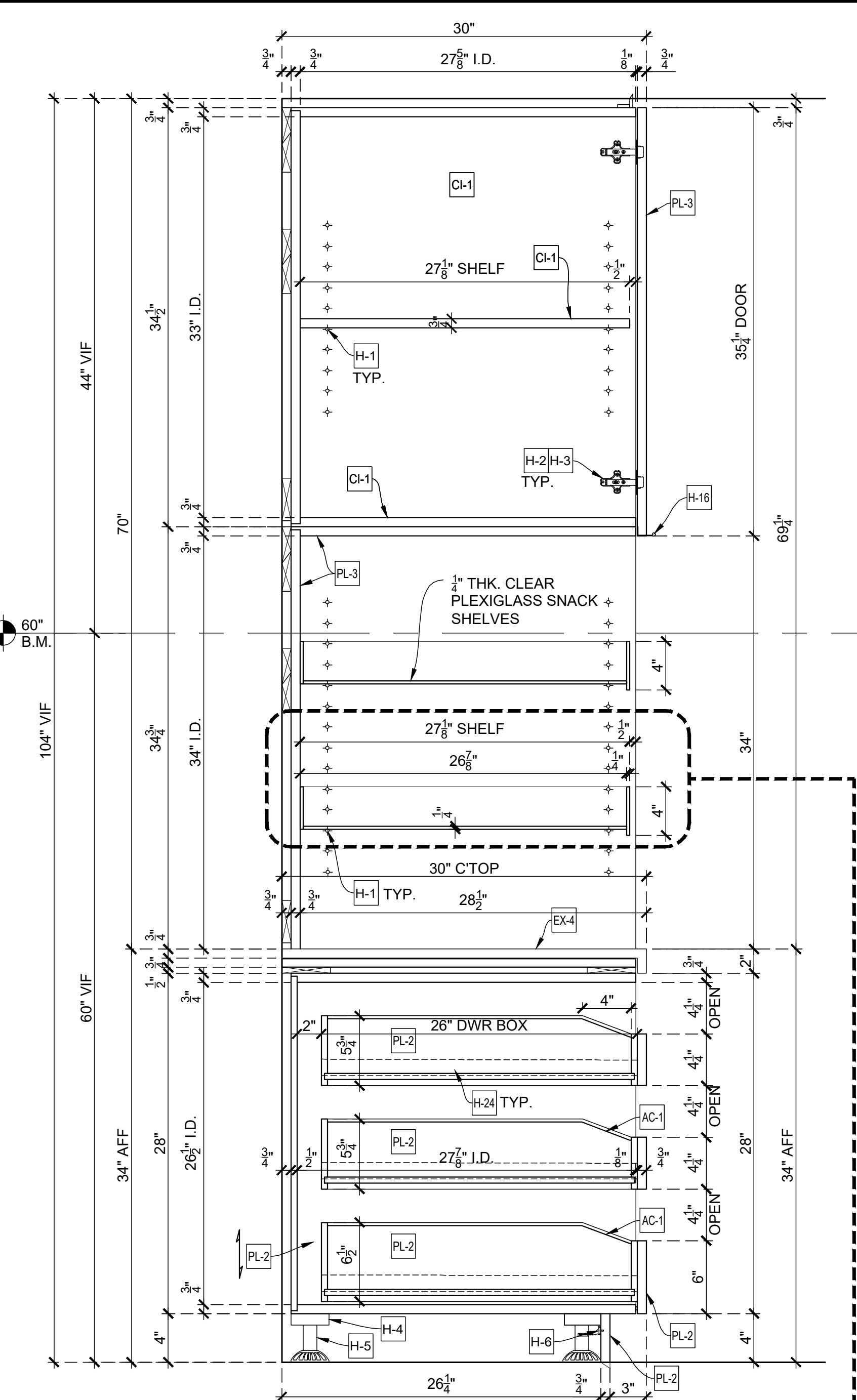
By: PD Scale: As Noted Job No. Dwg. No.
Status: In Submittal Review Date: 2019-04-17 14-03



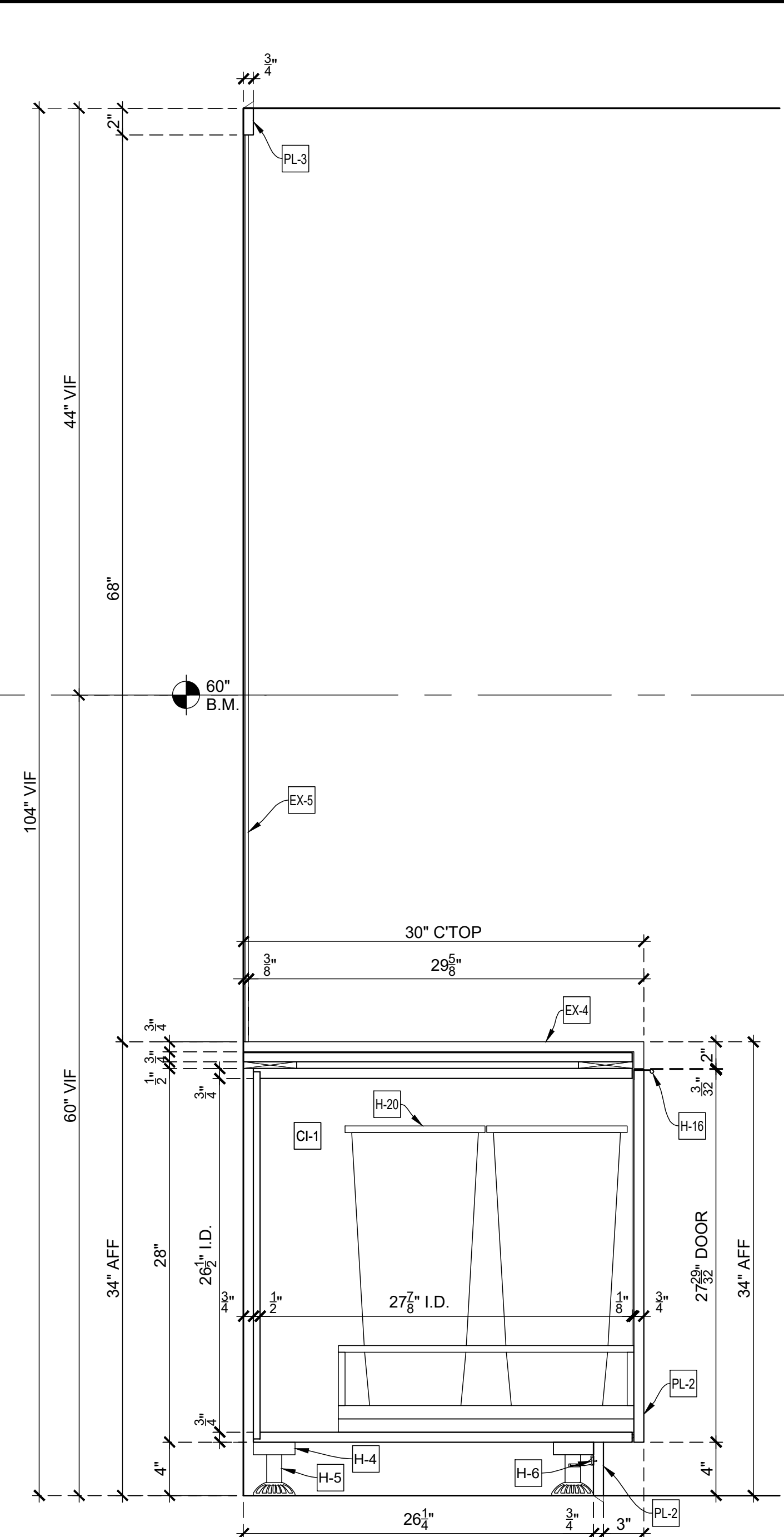
[Back](#)



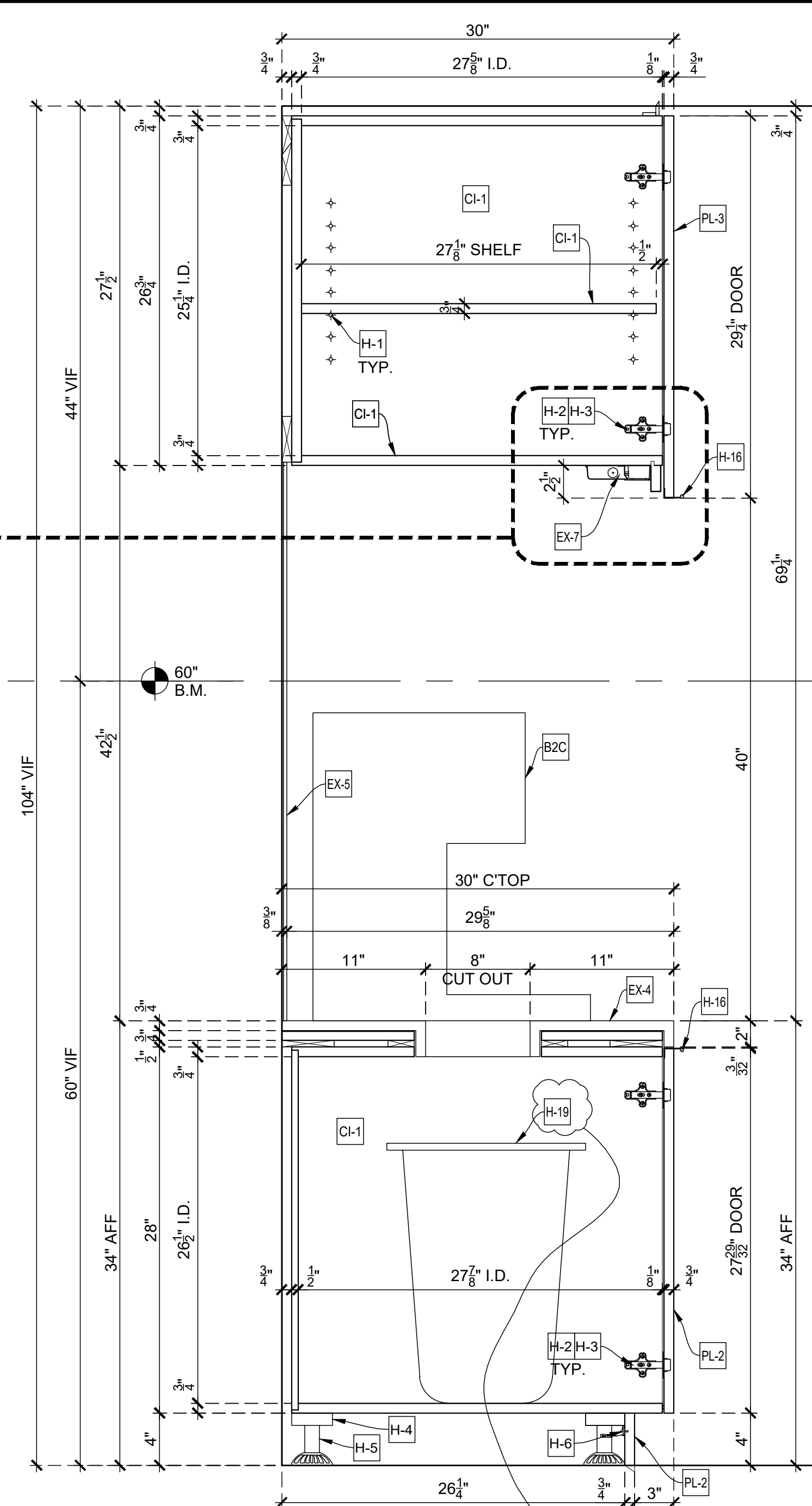
14.04 VERTICAL SECTION
SCALE: 1-1/2" = 1'-0"
Arch't Ref.: 7/A-502.00



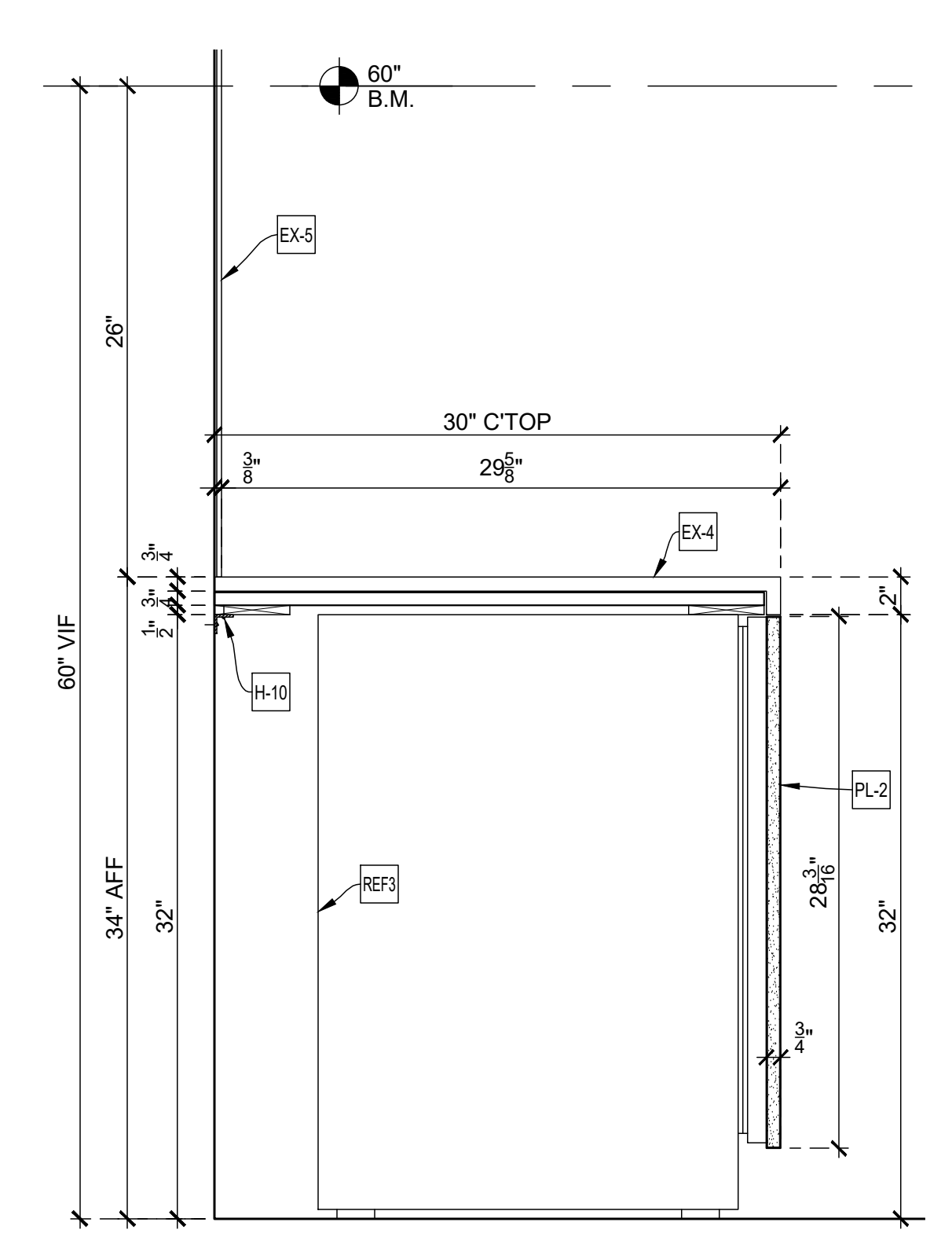
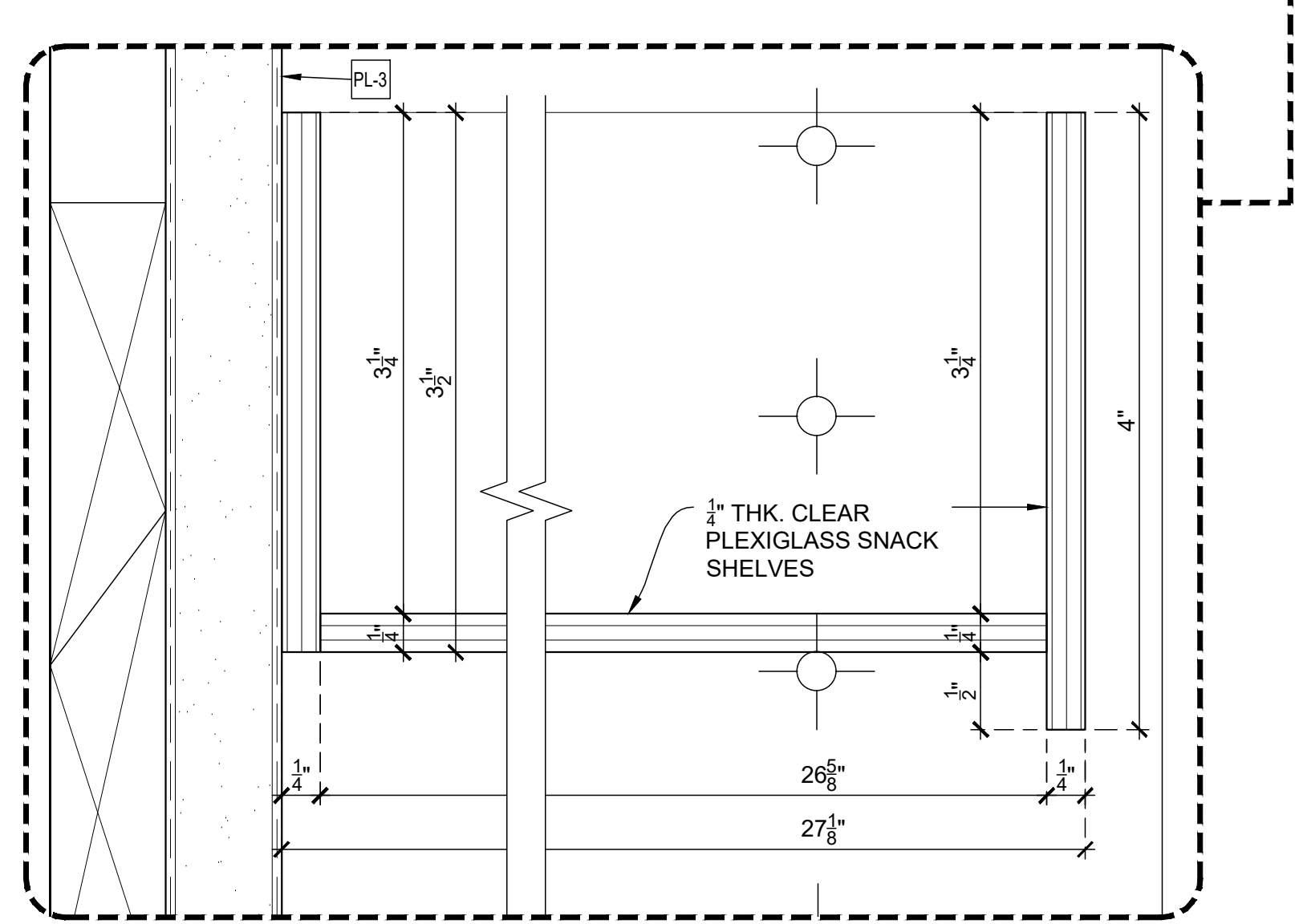
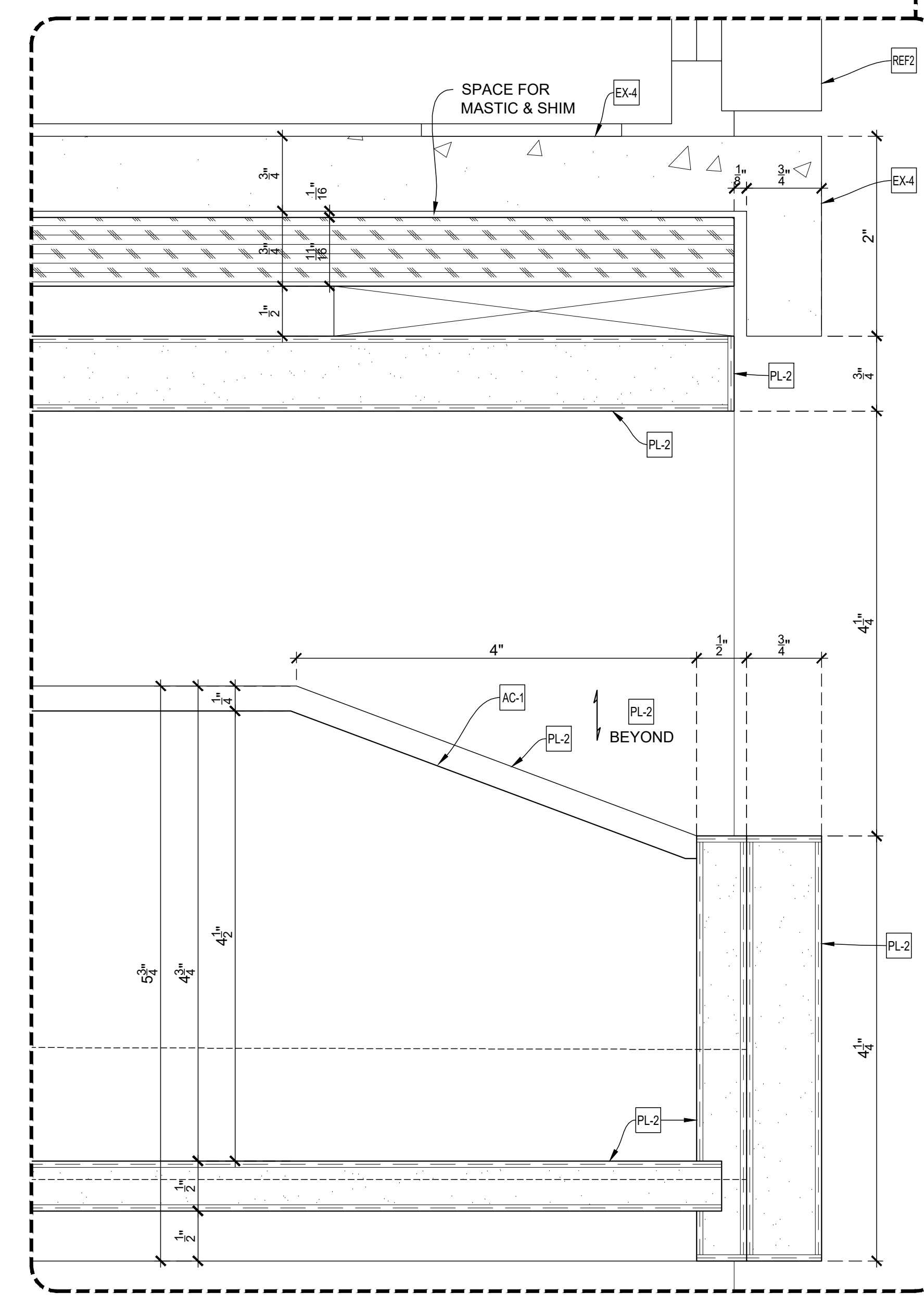
14.07 VERTICAL SECTION
SCALE: 1-1/2" = 1'-0"
Arch't Ref.: 7/A-502.00



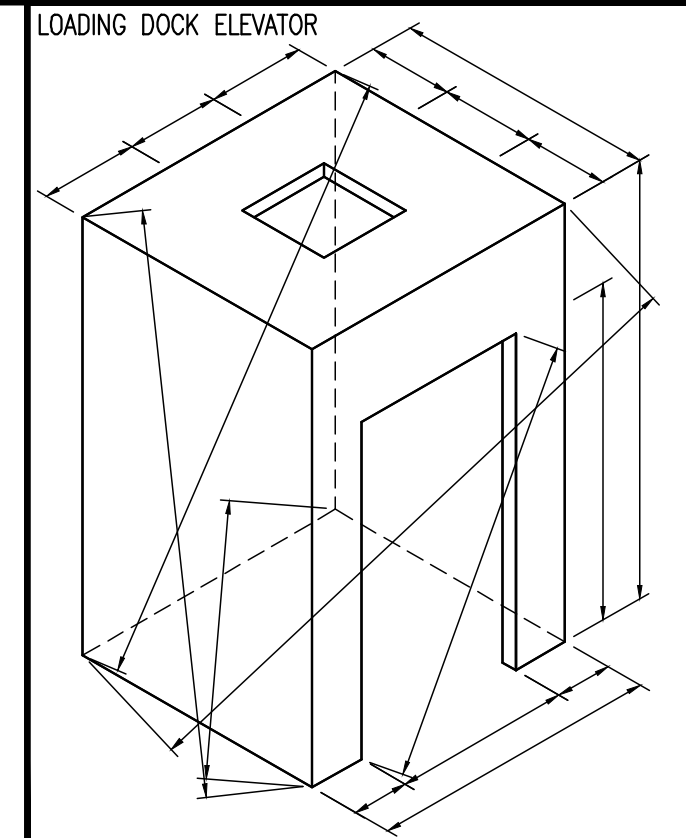
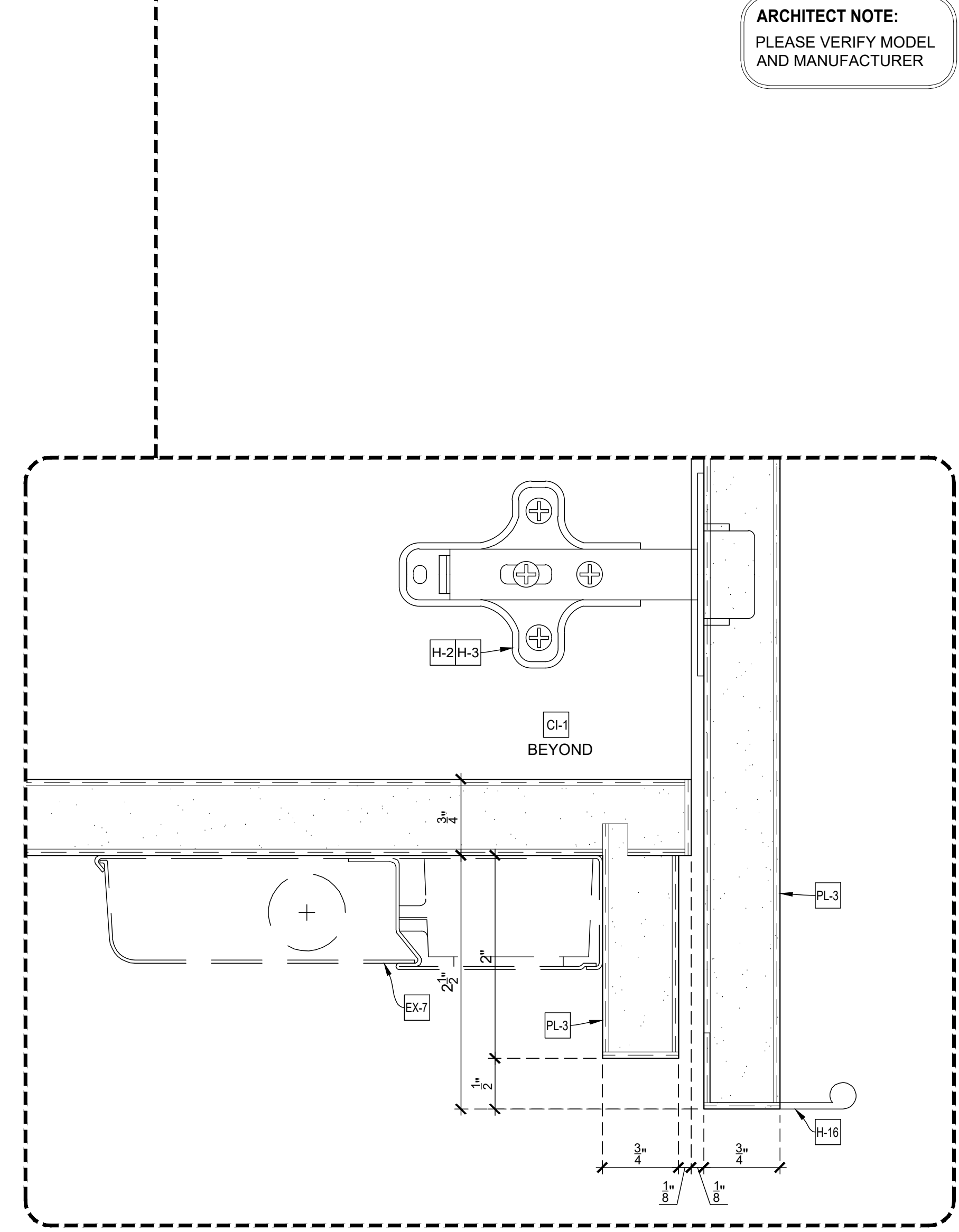
14.05 VERTICAL SECTION
SCALE: 1-1/2" = 1'-0"
Arch't Ref.: N/A



14.04 VERTICAL SECTION
SCALE: 1-1/2" = 1'-0"
Arch't Ref.: N/A



14.04 VERTICAL SECTION
SCALE: 1-1/2" = 1'-0"
Arch't Ref.: 13/A-502.00



Loose to field
Fixed in shop

APPLIANCE:

REF-1	GLASS FRONT REFRIGERATOR, TRUE #GDM-26-HC-TSL01, SS, STEEL
REF-2	GLASS FRONT REFRIGERATOR, SUMMIT #SCR450LB17HV, SS, STEEL
REF-3	UNDER-COUNTER REFRIGERATOR, SUMMIT #AL54IF
B2C	COFFEE MACHINE, DEJONG DUKE #NIO 20.3
CM	COFFEE BREWER, CURTIS #TP15T TWIN
CD	CUP DISPENSER, DISPENSE-RITE #ADJ-2
IM	COUNTER TOP ICE MAKER, HOSHIZAKI #DCM-270BAH
DW	DISHWASHER, ASKO #RF1604
SK	SINK AND FAUCET, EXISTING
VIV	WATER DISPENSER, VIVREAU #V3-205
TO	TOASTER, EXISTING
MW	MICROWAVE, GE #PE87227SLSS, STAINLESS STEEL

EXCLUSIONS:

EX-4	SOLID SURF. (SS-2), CAESARSTONE COLOR #2003
EX-5	CERAMIC WALL TILE (CTW-1)
EX-6	WALL SLAB (ST-EX)
EX-7	LIGHT FIXTURE

ARCHITECT NOTE:
PLEASE VERIFY MODEL
AND MANUFACTURER

DRAWING SUBMITTALS AND RETURNS

DATE	PURPOSE	TO	RETURN	RETURN STATUS

DRAWING REVISIONS

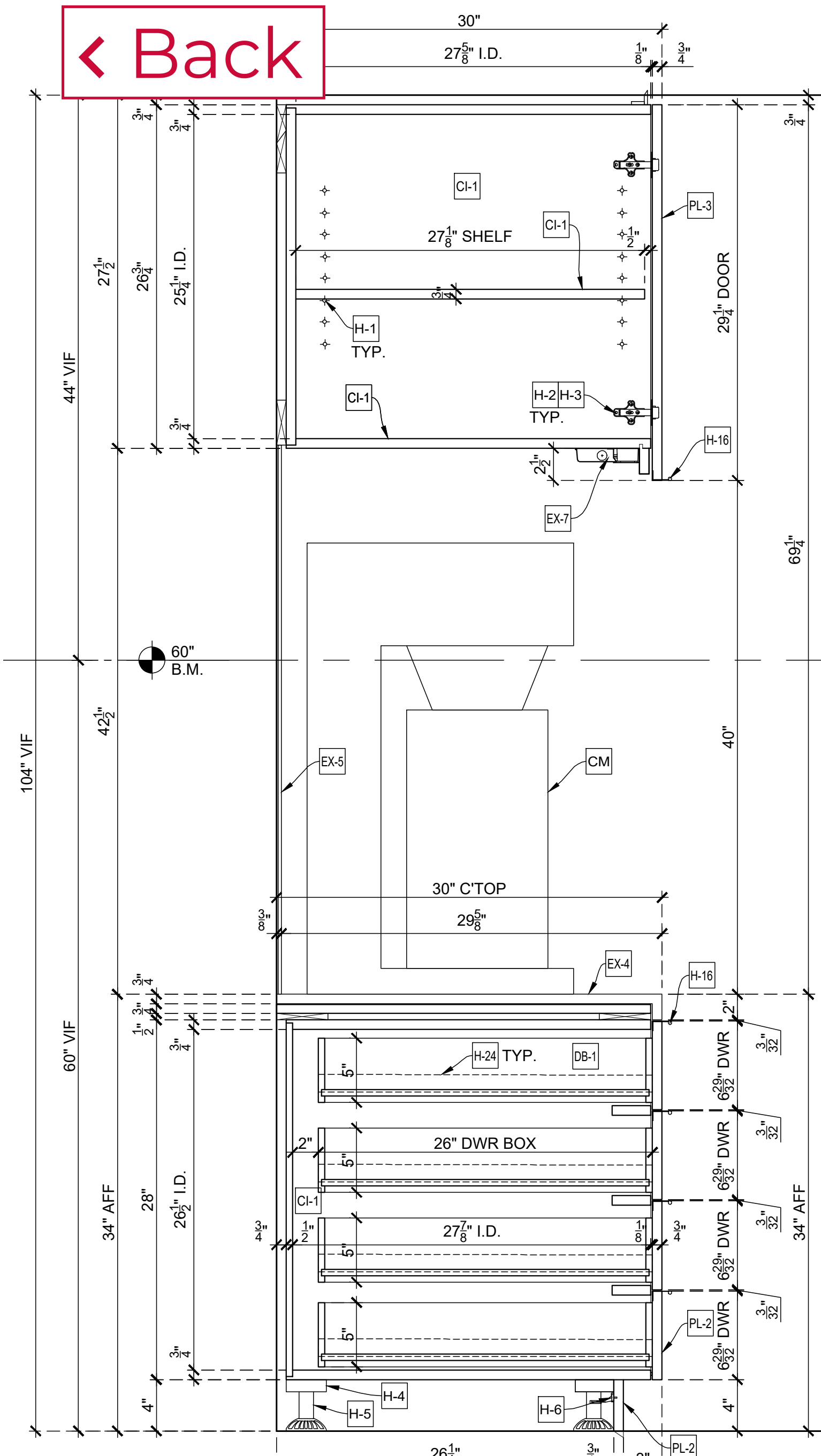
DATE	DESCRIPTION	REVISED BY	COMMENTS
1			
2			
3			
4			
5			
6			
7			
8			
9			
10			

RELEASES FOR FABRICATION

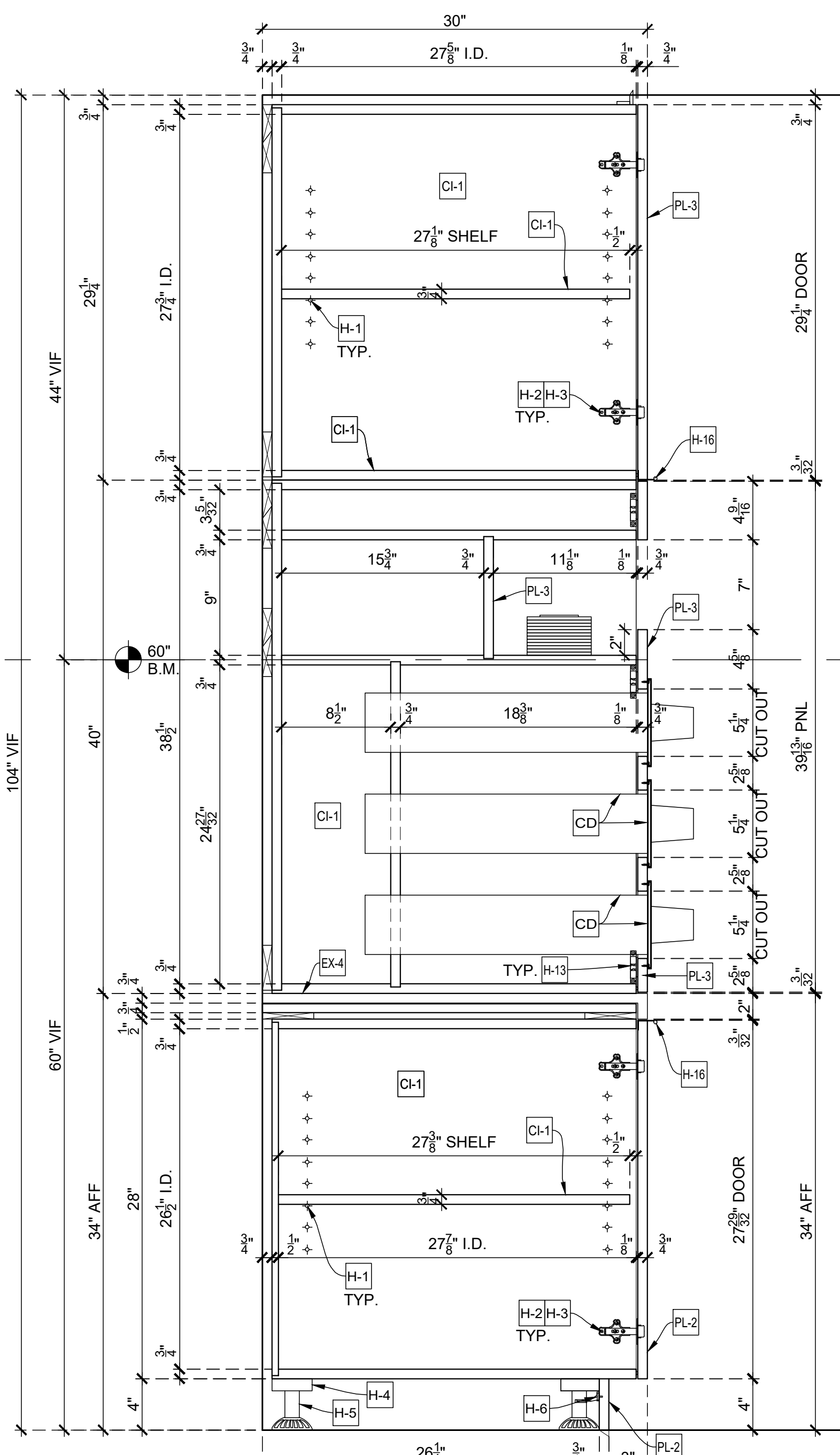
DATE	DESCRIPTION



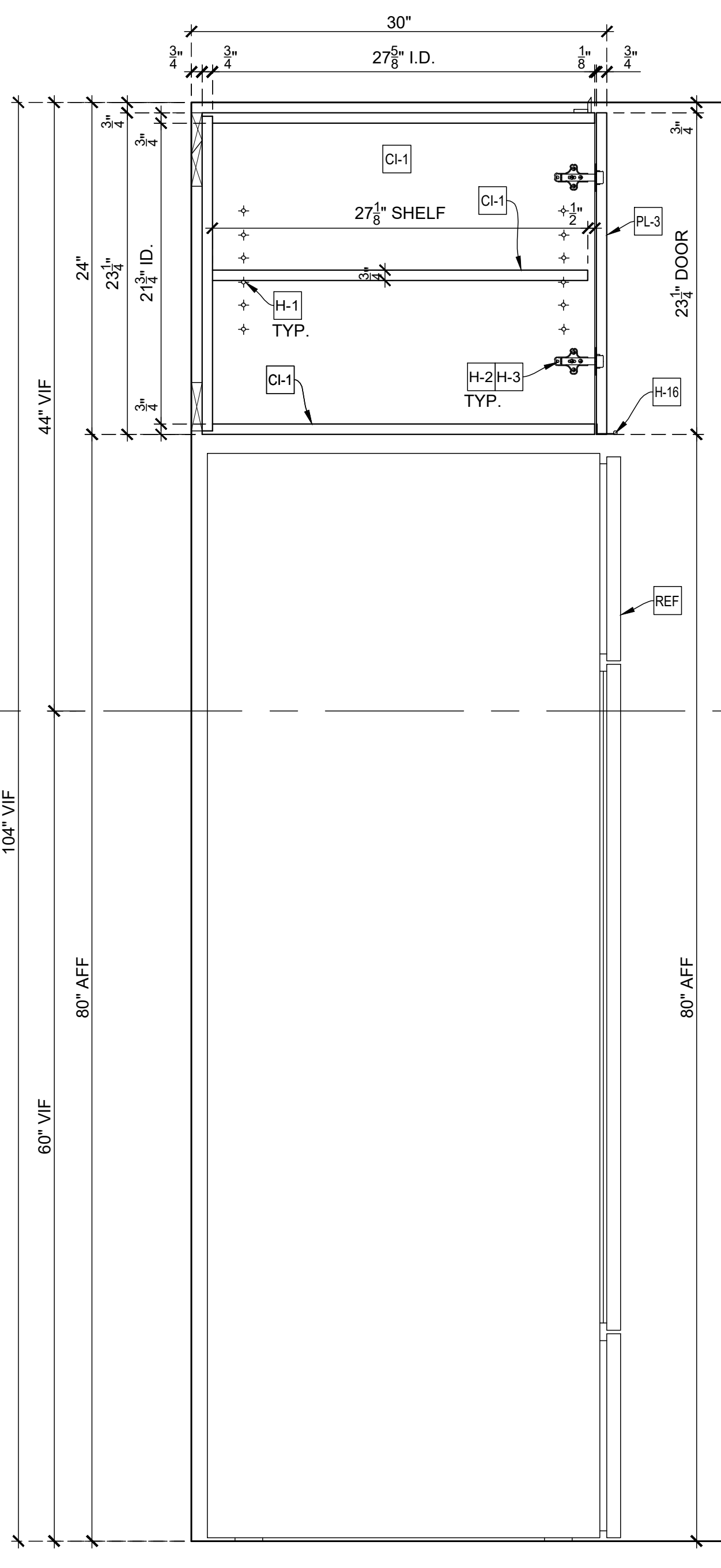
< Back



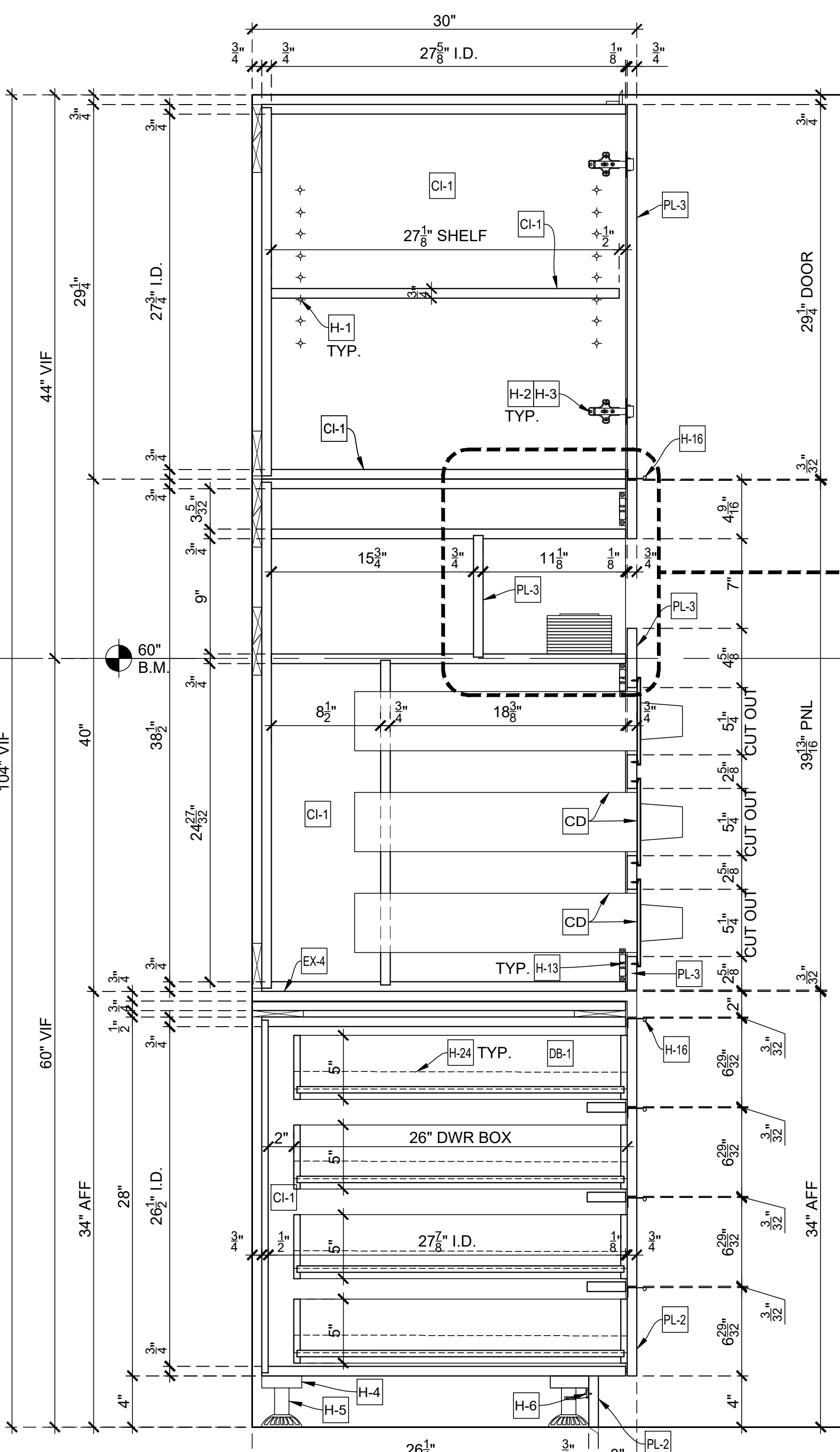
M VERTICAL SECTION
SCALE: 1-1/2" = 1'-0"
Arch'l Ref.: 11/A-502.00



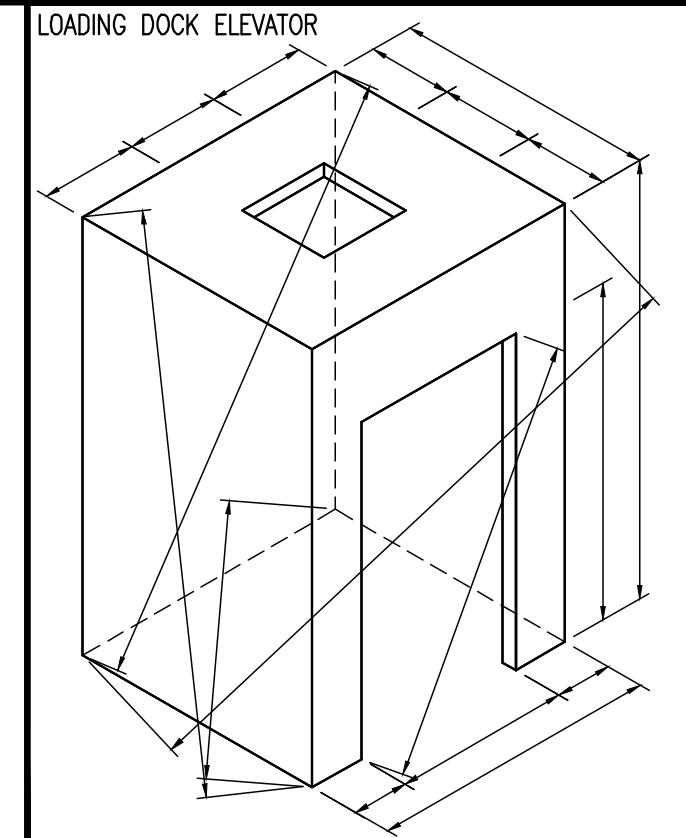
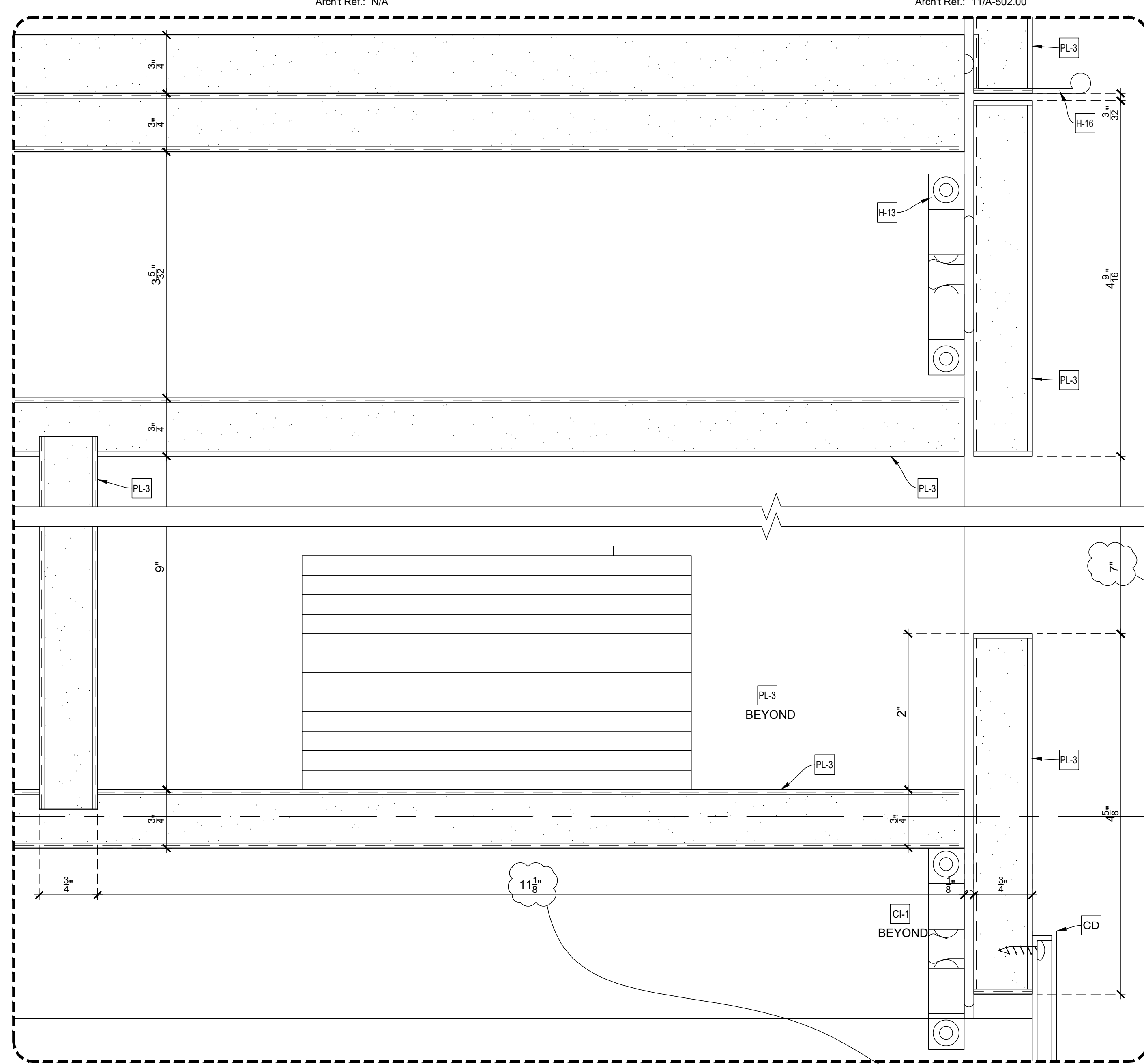
N VERTICAL SECTION
SCALE: 1-1/2" = 1'-0"
Arch'l Ref.: 11/A-502.00



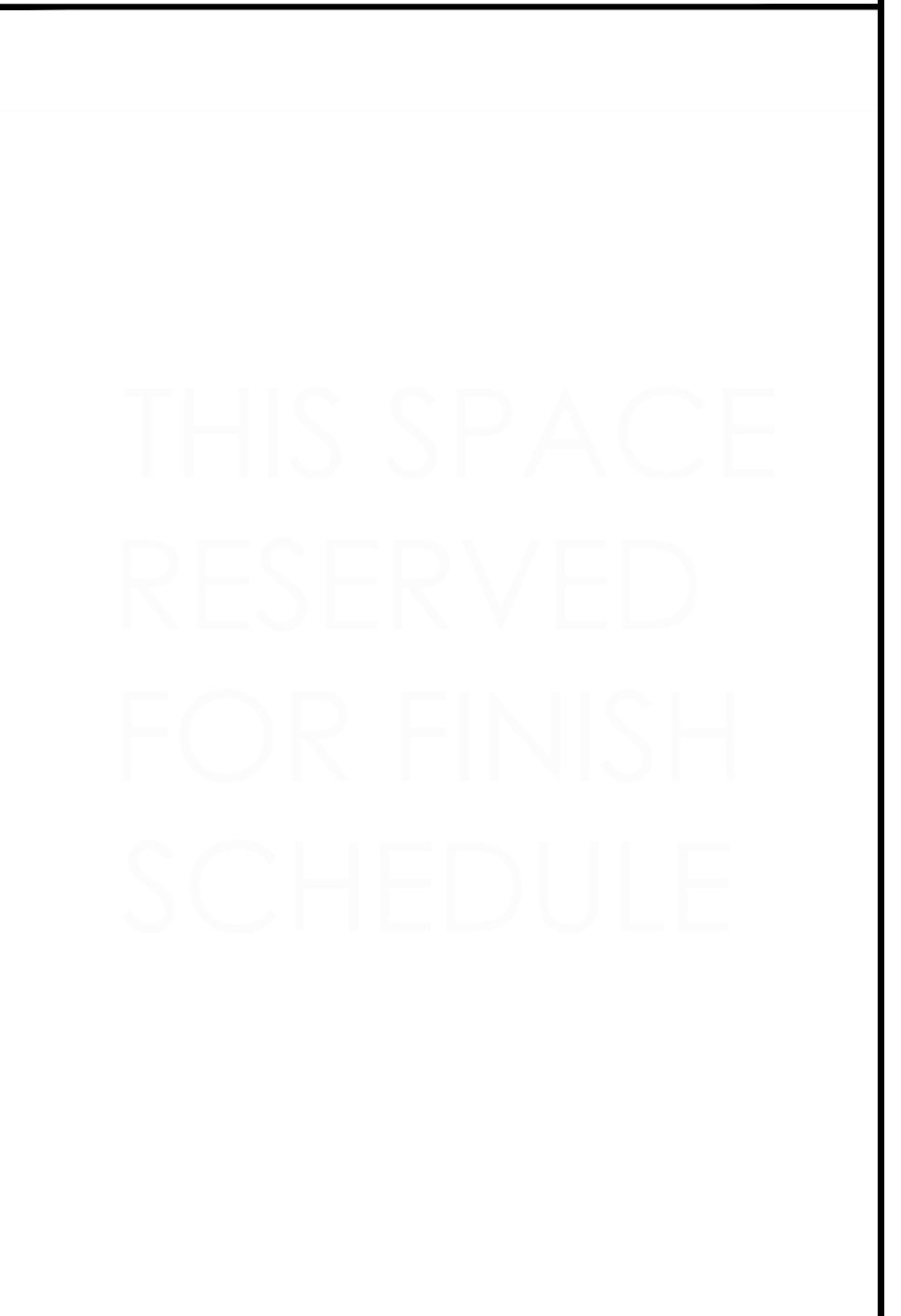
P VERTICAL SECTION
SCALE: 1-1/2" = 1'-0"
Arch'l Ref.: N/A



Q VERTICAL SECTION
SCALE: 1-1/2" = 1'-0"
Arch'l Ref.: 11/A-502.00



Loose in field
Fixed in shop



APPLIANCE:

REF	GLASS FRON REFRIGERATOR, TRUE #GDM-26-HC-TSL01, SS, STEEL
REF-2	GLASS FRON REFRIGERATOR, SUMMIT #SCR450LB17HV, SS, STEEL
REF-3	UNDER-COUNTER REFRIGERATOR, SUMMIT #AL54IF
B2C	COFFEE MACHINE, DEJONG DUKE #NIO 20.3
CM	COFFEE BREWER, CURTIS #TP15T TWIN
CD	CUP DISPENSER, DISPENSE-RITE #ADJ-2
IM	COUNTER TOP ICE MAKER, HOSHIZAKI #DCM-270BAH
DW	DISHWASHER, ASKO #RF1604
SK	SINK AND FAUCET, EXISTING
WV	WATER DISPENSER, VIVREAU #V3-205
TO	TOASTER, EXISTING
MW	MICROWAVE, GE #PE87227SLSS, STAINLESS STEEL

EXCLUSIONS:

EX-4	SOLID SURF. (SS-2), CAESARSTONE COLOR #2003
EX-5	CERAMIC WALL TILE (CTW-1)
EX-6	WALL SLAB (ST-EX)
EX-7	LIGHT FIXTURE

DRAWING SUBMITTALS AND RETURNS

DATE	PURPOSE	TO	RETURN	RETURN STATUS

DRAWING REVISIONS

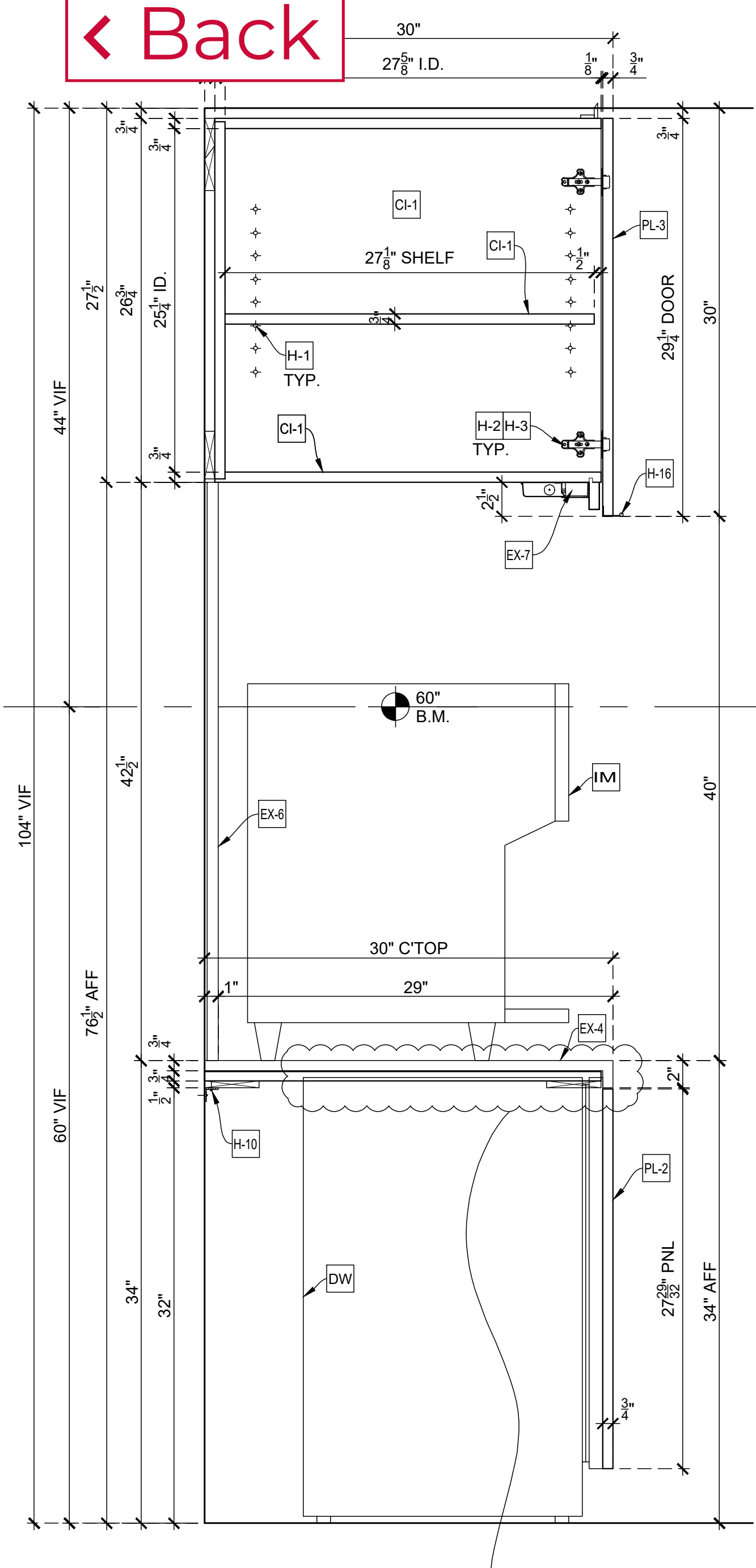
DATE	DESCRIPTION	REVISED BY	COMMENTS
1			
2			
3			
4			
5			
6			
7			
8			
9			
10			

RELEASES FOR FABRICATION

DATE	DESCRIPTION

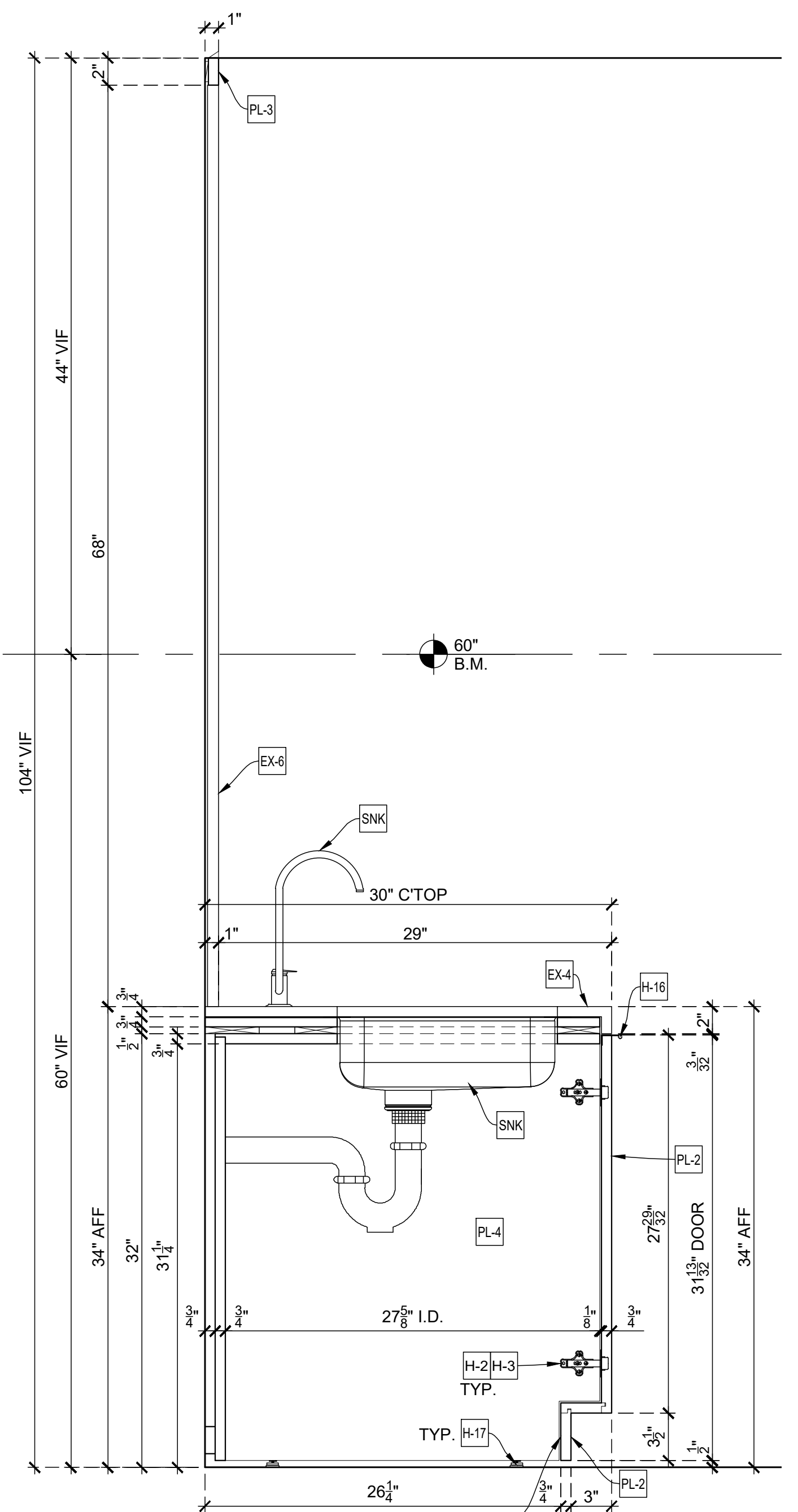


[← Back](#)



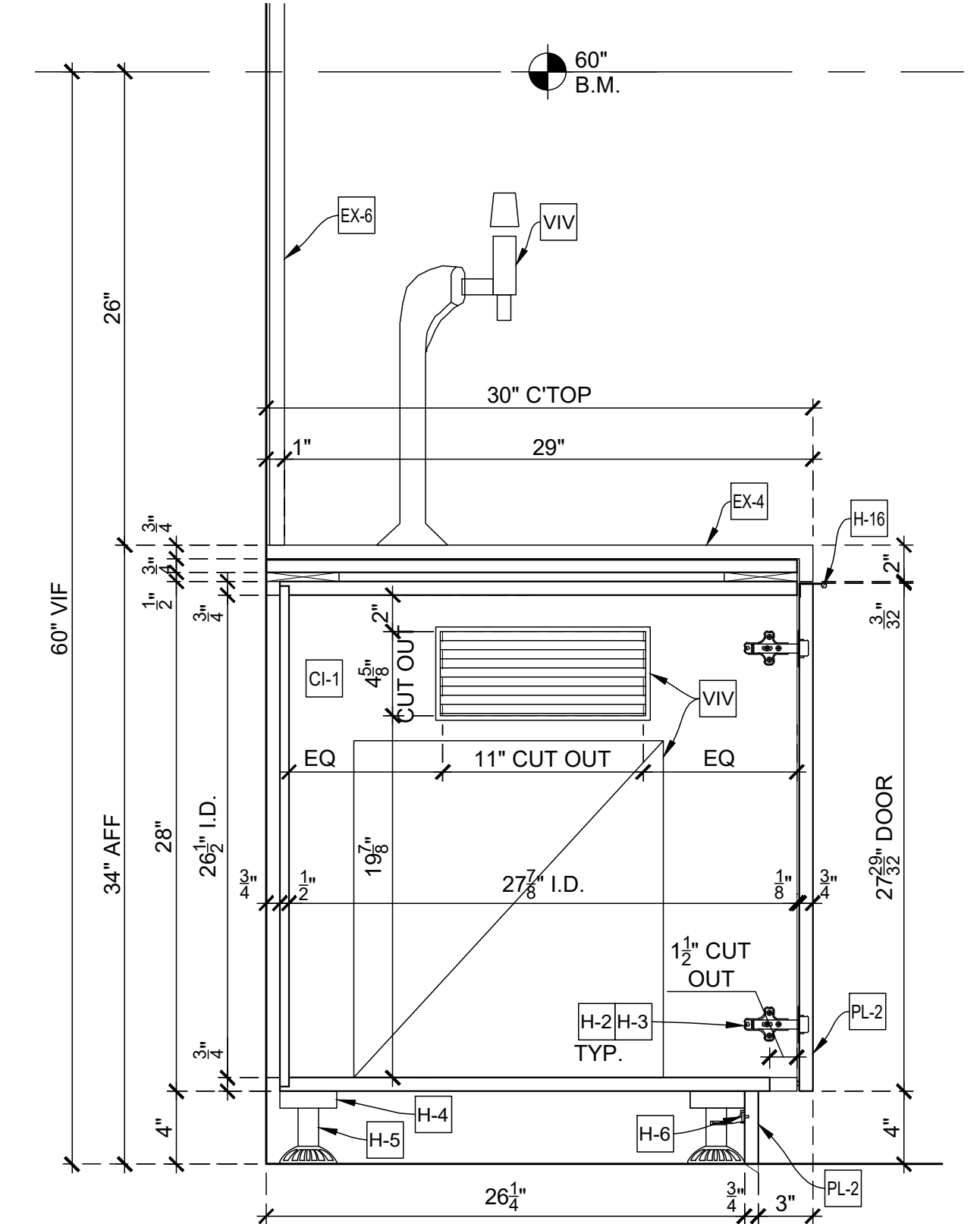
FR
VERTICAL SECTION
SCALE: 1-1/2" = 1'-0"
Arch'l Ref.: 2,131A-502.00

ARCHITECT NOTE:
THERE IS NO ROOM FOR DW.
PLEASE PROVIDE SOLUTION

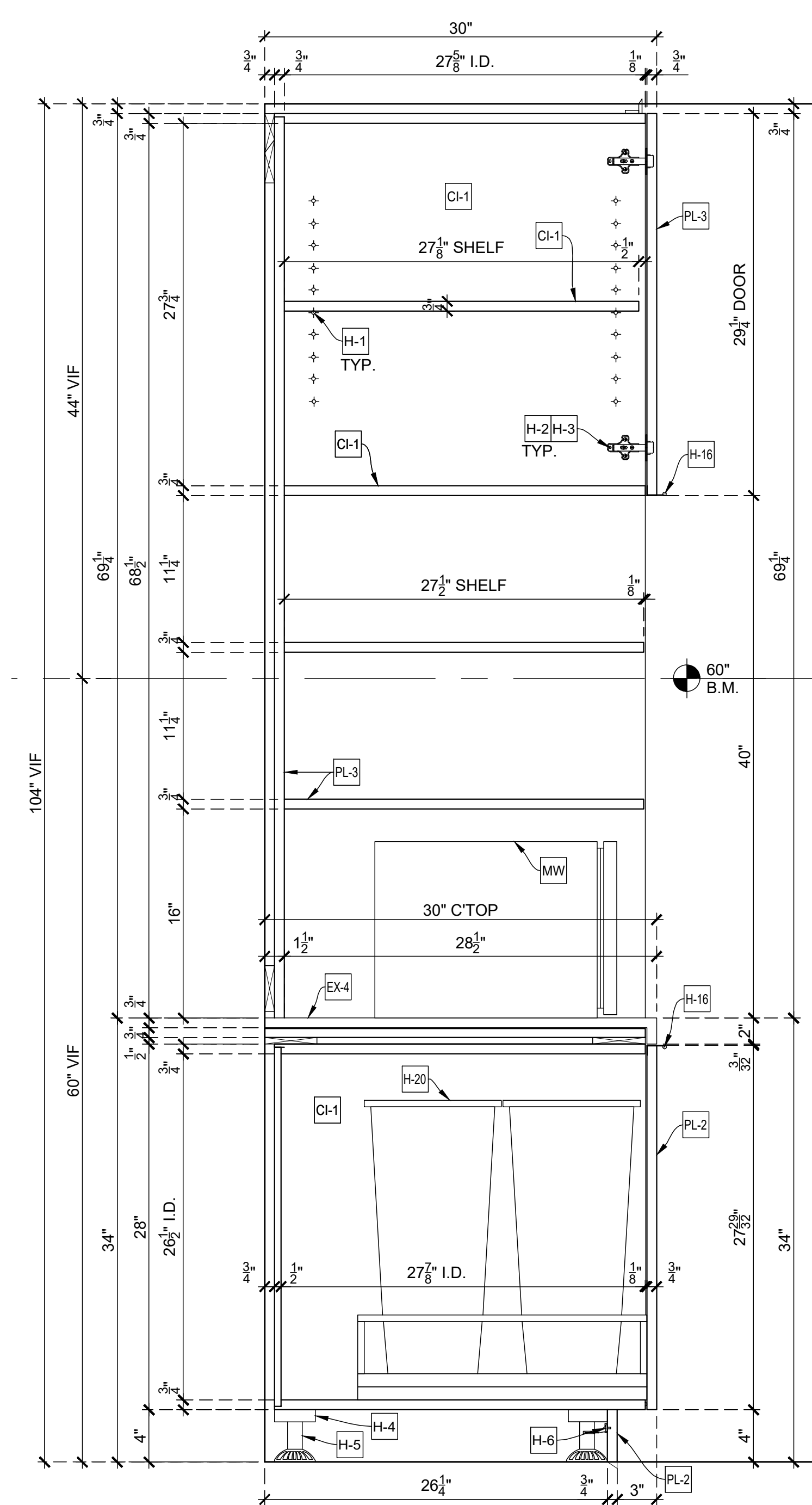


FS
VERTICAL SECTION
SCALE: 1-1/2" = 1'-0"
Arch'l Ref.: 6/A-502.00

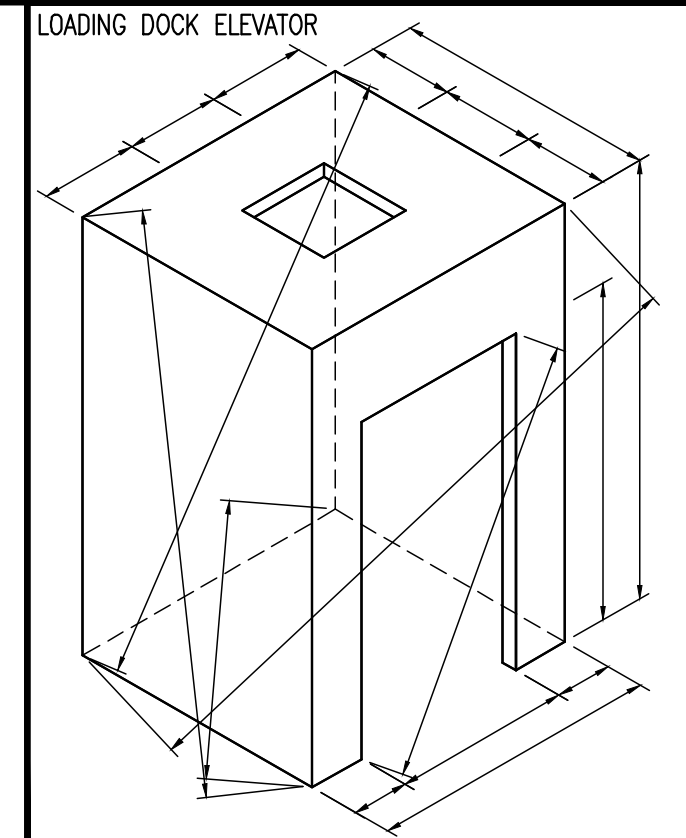
NOTCH SIDES TO
ACCEPT STEPPED
DOOR / BASE



TS
VERTICAL SECTION
SCALE: 1-1/2" = 1'-0"
Arch'l Ref.: 6/A-502.00



LS
VERTICAL SECTION
SCALE: 1-1/2" = 1'-0"
Arch'l Ref.: N/A



Loose to field
Fixed in shop

THIS SPACE
RESERVE
FOR FINISH
MODULE

APPLIANCE:

REF-1	GLASS FRONT REFRIGERATOR, TRUE #GDM-26-HC-TSL01, SS, STEEL
REF-2	GLASS FRONT REFRIGERATOR, SUMMIT #SCR450LB17HV, SS, STEEL
REF-3	UNDER-COUNTER REFRIGERATOR, SUMMIT #AL54IF
B2C	COFFEE MACHINE, DE'JONG DUKE #NIO 20.3
CM	COFFEE BREWER, CURTIS #TP15T TWIN
CD	CUP DISPENSER, DISPENSE-RITE #ADJ-2
IM	COUNTER TOP ICE MAKER, HOSHIZAKI #DCM-270BAH
DW	DISHWASHER, ASKO #RF1604
SNK	SINK AND FAUCET, EXISTING
VIV	WATER DISPENSER, VIVREAU #V3-205
TO	TOASTER, EXISTING
MW	MICROWAVE, GE #PE87227SLSS, STAINLESS STEEL

EXCLUSIONS:

EX-4	SOLID SURF. (SS-2), CAESARSTONE COLOR #2003
EX-5	CERAMIC WALL TILE (CTW-1)
EX-6	WALL SLAB (ST-EX)
EX-7	LIGHT FIXTURE

DRAWING SUBMITTALS AND RETURNS

DATE	PURPOSE	TO	RETURN	RETURN STATUS

DRAWING REVISIONS

DATE	DESCRIPTION	REVISED BY	COMMENTS
1			
2			
3			
4			
5			
6			
7			
8			
9			
10			

RELEASES FOR FABRICATION

DATE	DESCRIPTION

TITLE:
ITEM NO:
DESC.: SECTIONS
DESC.: PANTRY 4287
By: PD Scale: As Noted Job No. Dwg. No.
Status: In Submittal Review Date: 2019-04-17 14-06



[← Back](#)

DRAWING CHECKLIST

	BY	DATE	CHECKLIST FOR ORIGINAL DRAFTING	COMMENTS
✓	PD	2019-04-17	ARCHITECTURAL ELEVATIONS CHECKED AGAINST RCP FOR CEILING HEIGHTS AND SOFFITS	NO FOLLOW UP NEEDED
✓	PD	2019-04-17	DRAWINGS CHECKED FOR INCLUSION OF ALL ITEMS IN SCOPE	NO FOLLOW UP NEEDED
✓	NA	NA	NOTIFIED ENGINEERING MANAGER OF DISCREPANCIES BETWEEN SCOPE AND ARCHITECTURALS	NOT APPLICABLE
✓	PD	2019-04-17	MATERIALS CHECKED AGAINST SCOPE TO VERIFY WHETHER PROVIDED BY MB	NO FOLLOW UP NEEDED
✓	PD	2019-04-17	ALL FINISHES ACCURATELY LISTED AND ASSIGNED TO DRAWING	NO FOLLOW UP NEEDED
✓	PD	2019-04-17	ALL VISIBLE MILLWORK ELEVATED INCLUDING FINISHED END PANELS AND SOFFITS	NO FOLLOW UP NEEDED
✓	PD	2019-04-17	ALL MARKERS AND TAGS CHECKED AND VERIFIED TO BE CORRECT	NO FOLLOW UP NEEDED
✓	PD	2019-04-17	CASEWORK DRAWN PER MB STANDARDS WHEREVER POSSIBLE	NO FOLLOW UP NEEDED
✓	PD	2019-04-17	APPLIANCES CHECKED AGAINST CUTS AND CUSTOM PANEL DRAWINGS CREATED AS NEEDED	NO FOLLOW UP NEEDED
✓	NA	NA	DOOR HARDWARE SHOWN TO THE EXTENT POSSIBLE PER HARDWARE SCHEDULE AND CUTS	NOT APPLICABLE
✓	NA	NA	HARDWARE LOCATIONS DIMENSIONED OR REQUESTED FROM ENGINEERING MANAGER	NOT APPLICABLE
✓	PD	2019-04-17	TITLE BLOCK FILLED OUT COMPLETELY AND ACCURATELY - IE SHEET NUMBERS AND DESCRIPTIONS	NO FOLLOW UP NEEDED
✓	PD	2019-04-17	ALL CABINET HARDWARE ACCURATELY LISTED INCLUDING FINISHES	NO FOLLOW UP NEEDED
✓	PD	2019-04-17	ALL SPELLING CHECKED AND VERIFIED TO BE CORRECT	NO FOLLOW UP NEEDED
✓	PD	2019-04-17	MODEL SPACE LEFT CLEAN OF UN-NEEDED GEOMETRY	NO FOLLOW UP NEEDED
✓	PD	2019-04-17	NOTES REGARDING WATERPROOF CORES INCLUDED WHERE APPLICABLE	NO FOLLOW UP NEEDED
✓	PD	2019-04-17	ELEVATIONS DRAWN WITH REFERENCES TO BENCHMARK	NO FOLLOW UP NEEDED
✓	NA	NA	ALL ROUGH OPENINGS CLEARLY DIMENSIONED AND REFERENCED TO BENCHMARK	NOT APPLICABLE
✓	NA	NA	ALL DOORS BY MB TAGGED CORRECTLY IN MODELSPACE	NOT APPLICABLE
✓	NA	NA	ALL DOOR SWINGS VERIFIED TO BE SHOWN AND SCHEDULED CORRECTLY	NOT APPLICABLE

USE ATTRIBUTE EDIT COMMAND ON AN ITEM TO EDIT USERNAME, DATE, AND COMMENTS

✓	PD	2019-04-17	CHECKLIST ITEM	NO FOLLOW UP NEEDED
↓	PD	2019-04-17	CHECKLIST ITEM	NEEDS FOLLOW UP
✓	NA	NA	CHECKLIST ITEM	NOT APPLICABLE

Date Drawn:	2019-04-17	Dwg# 14
Drawn by:	PD	

Z:\CSST\Programs\MB\2019\04\17\1918 - BUSBAR\2019-04-17\1918 - BUSBAR.dwg

← Back

REVISION CHECKLIST

BY	DATE	CHECKLIST FOR DRAWING REVISIONS	COMMENTS
		ALL REDLINE REVISIONS MADE AND HIGHLIGHTED ON PRINTED COPY	
		ALL IMPLICATIONS OF REDLINE MARKUPS CONSIDERED AND CORRECTED	
		ENGINEERING MANAGER NOTIFIED VIA EMAIL OF ALL POSSIBLE CHANGE ORDERS	
		ALL VISIBLE MILLWORK ELEVATED INCLUDING FINISHED END PANELS AND SOFFITS	
		PLAN AND VERTICAL SECTIONS CROSS CHECKED FOR ACCURACY	
		ALL MARKERS AND TAGS CHECKED AND VERIFIED TO BE CORRECT	
		ALL GRAIN DIRECTIONS CLEARLY INDICATED INCLUDING WOOD, METAL, AND PLAM FINISHES	
		APPLIANCES CHECKED AGAINST CUTS AND CUSTOM PANEL DRAWINGS CREATED AS NEEDED	
		DOOR HARDWARE SHOWN TO THE EXTENT POSSIBLE PER HARDWARE SCHEDULE AND CUTS	
		HARDWARE LOCATIONS DIMENSIONED OR REQUESTED FROM ENGINEERING MANAGER	
		ALL CABINET HARDWARE ACCURATELY LISTED INCLUDING FINISHES	
		ALL FINISHES ACCURATELY LISTED , INDICATED ON DRAWINGS, AND ASSIGNED TO SERIES	
		MATERIALS CHECKED AGAINST SCOPE TO VERIFY WHETHER PROVIDED BY MB	
		ALL NECESSARY FIELD DIMENSIONS INDICATED ON DRAWINGS	
		ALL FIELD DIMENSIONS APPLIED, ALL VIF DIMENSIONS REPLACED WTH FD	
		ENGINEERING MANAGER NOTIFIED OF MISSING FIELD DIMENSIONS	
		ALL +- INDICATIONS REMOVED EXCEPT WHERE SCRIBE IS INVOLVED	
		ALL LOOSE JOINTS INDICATED CLEARLY	
		COMPONENT SIZES CHECKED AGAINST ELEVATOR SIZE TO ENSURE ACCESS	
		UNUSED GEOMETRY DELETED FROM DRAWING	
		UNUSED PAPERSPACE TABS DELETED FROM DRAWING	
		ALL RESOLVED QUESTIONS, CLOUDS, AND NOTES REMOVED FROM DRAWING	
		ENGINEERING MANAGER NOTIFIED BY EMAIL OF ANY NEW ISSUES WHICH REQUIRE ANSWERS	
		ITEMS READY FOR FABRICATION CLEARLY INDICATED OR ITEMS ON HOLD CLEARLY INDICATED	

USE ATTRIBUTE EDIT COMMAND ON AN ITEM TO EDIT USERNAME, DATE, AND COMMENTS

✓	DZALE	10/21/14	CHECKLIST ITEM	NO FOLLOW UP NEEDED
⬇	dzale	10/21/14	CHECKLIST ITEM	NEEDS FOLLOW UP
✓	NA	NA	CHECKLIST ITEM	NOT APPLICABLE

Date Drawn:	X	Dwg# X
Drawn by:	X	