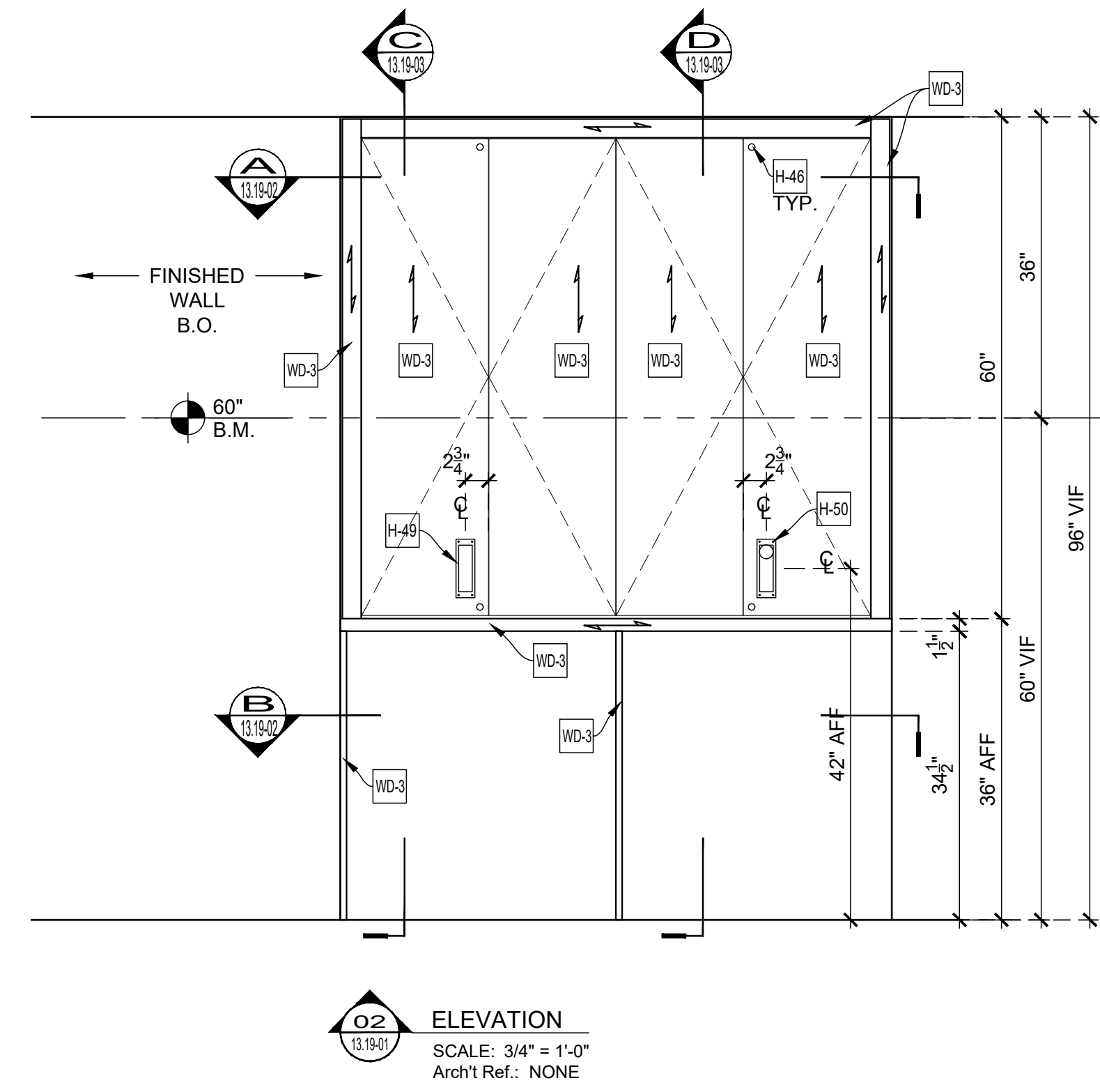
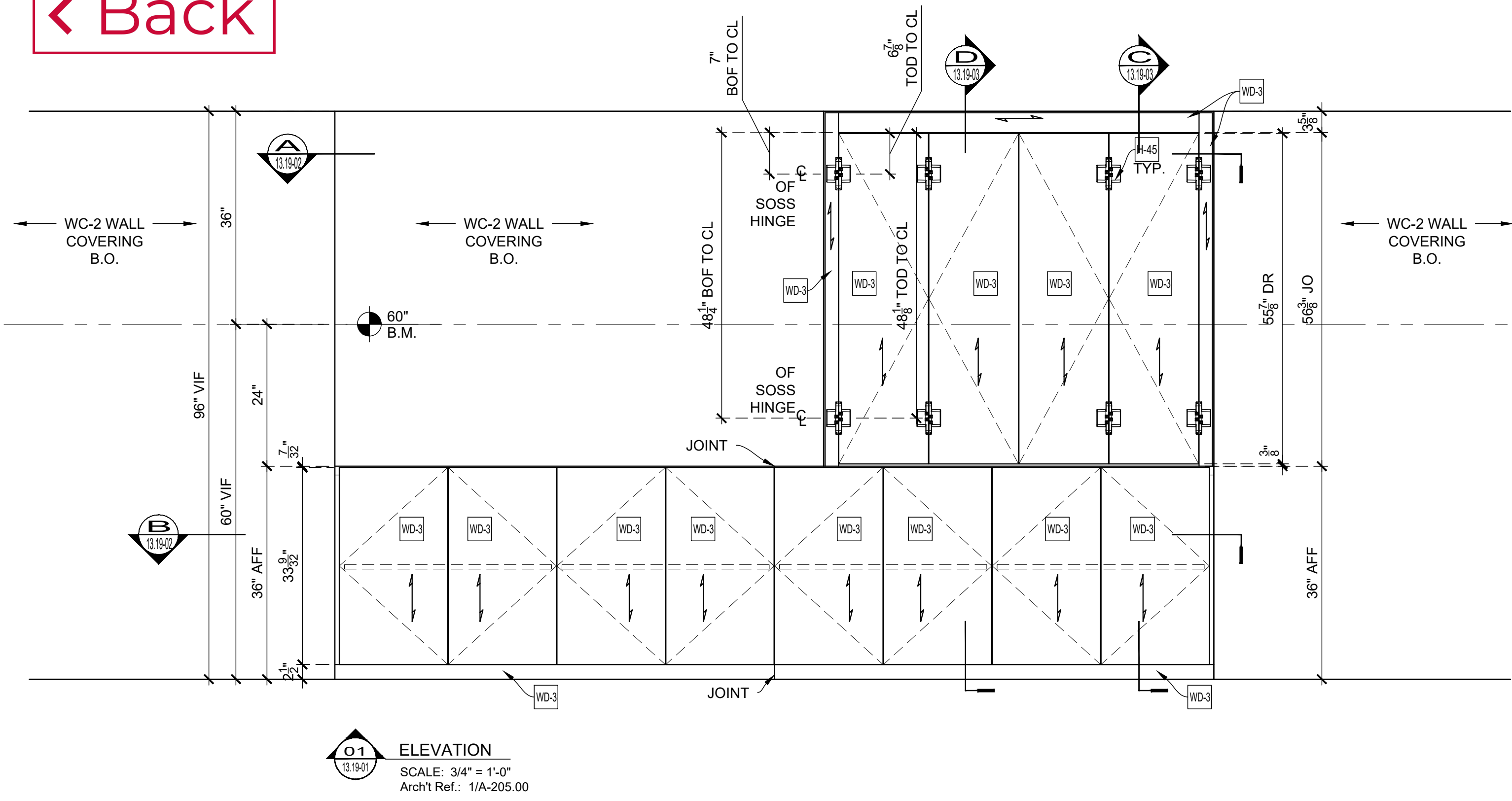


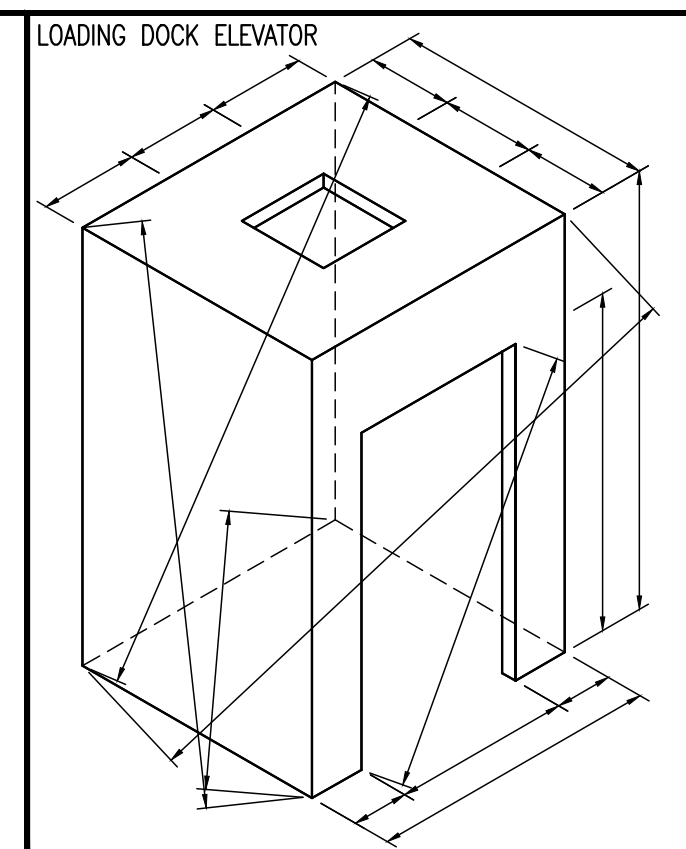
[← Back](#)



ARCHITECT NOTE:
PLEASE VERIFY ALL WOOD
GRAIN DIRECTIONS

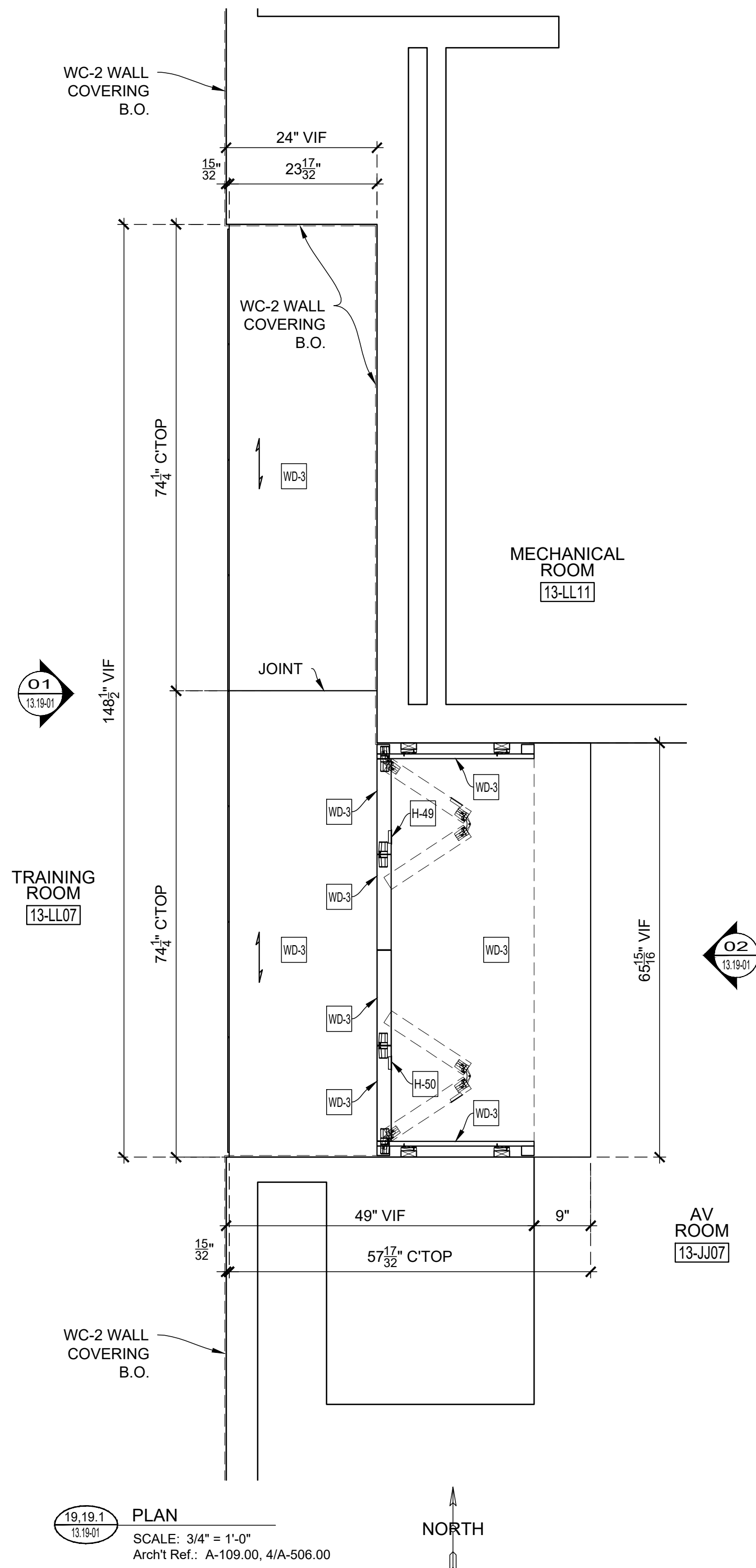
ARCHITECT NOTE:
PLEASE CONFIRM PULL
FINISH.

ARCHITECT NOTE:
PLEASE VERIFY LOCATION
OF PULLS.



LOADING DOCK ELEVATOR
 ☒ Loose to field
 ☒ Fixed in shop

THIS SPACE
RESERVED
FOR FINISH
SCHEDULE



THIS SPACE
RESERVED
FOR
GENERAL
NOTES

THIS SPACE
RESERVED
FOR
HARDWARE
SCHEDULE

DRAWING SUBMITTALS AND RETURNS				
DATE	PURPOSE	TO	RETURN	RETURN STATUS

DRAWING REVISIONS			
DATE	DESCRIPTION	REVISED BY	COMMENTS
1			
2			
3			
4			
5			
6			
7			
8			
9			
10			

RELEASES FOR FABRICATION	
DATE	DESCRIPTION

TITLE:
ITEM NO:
DESC.: ELEVATIONS, PLAN
DESC.: TRAINING ROOM 13-LLO7, AV ROOM 13-JJ07

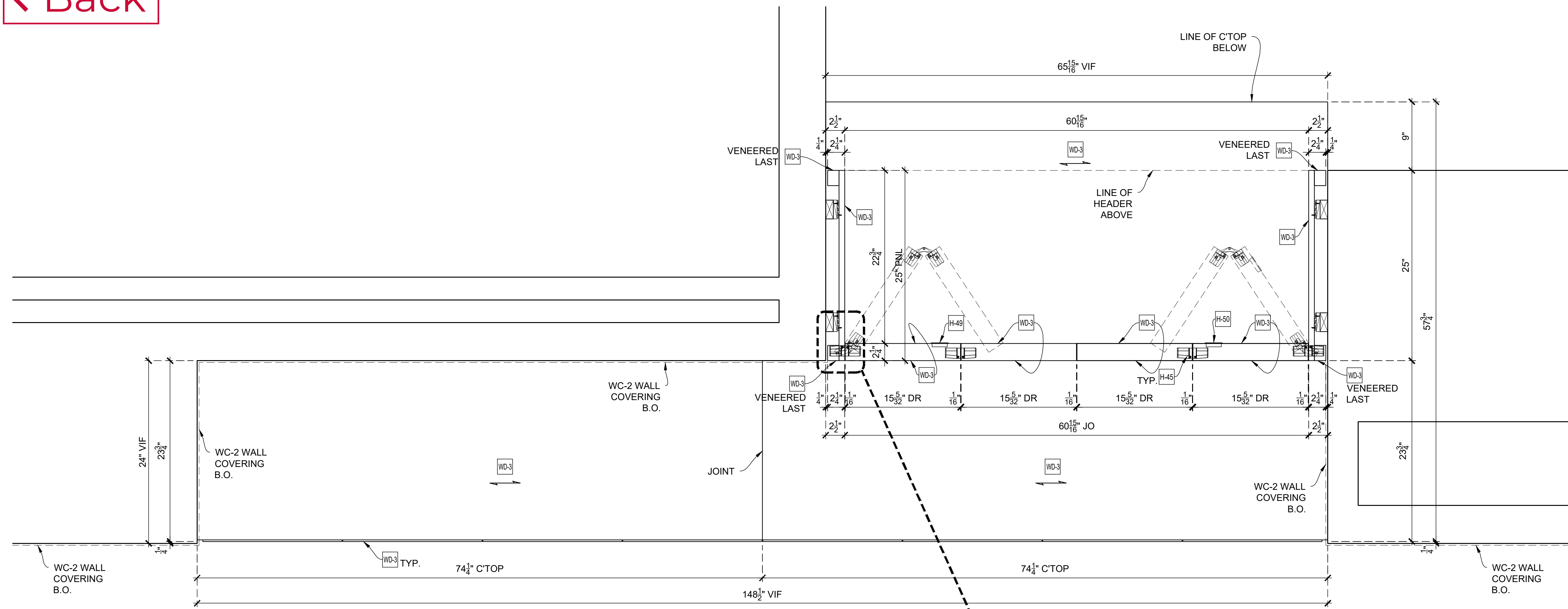
By: PD Scale: As Noted Job No. Dwg. No.

Status: In Submittal Review Date: 2019-03-20 13.19-01

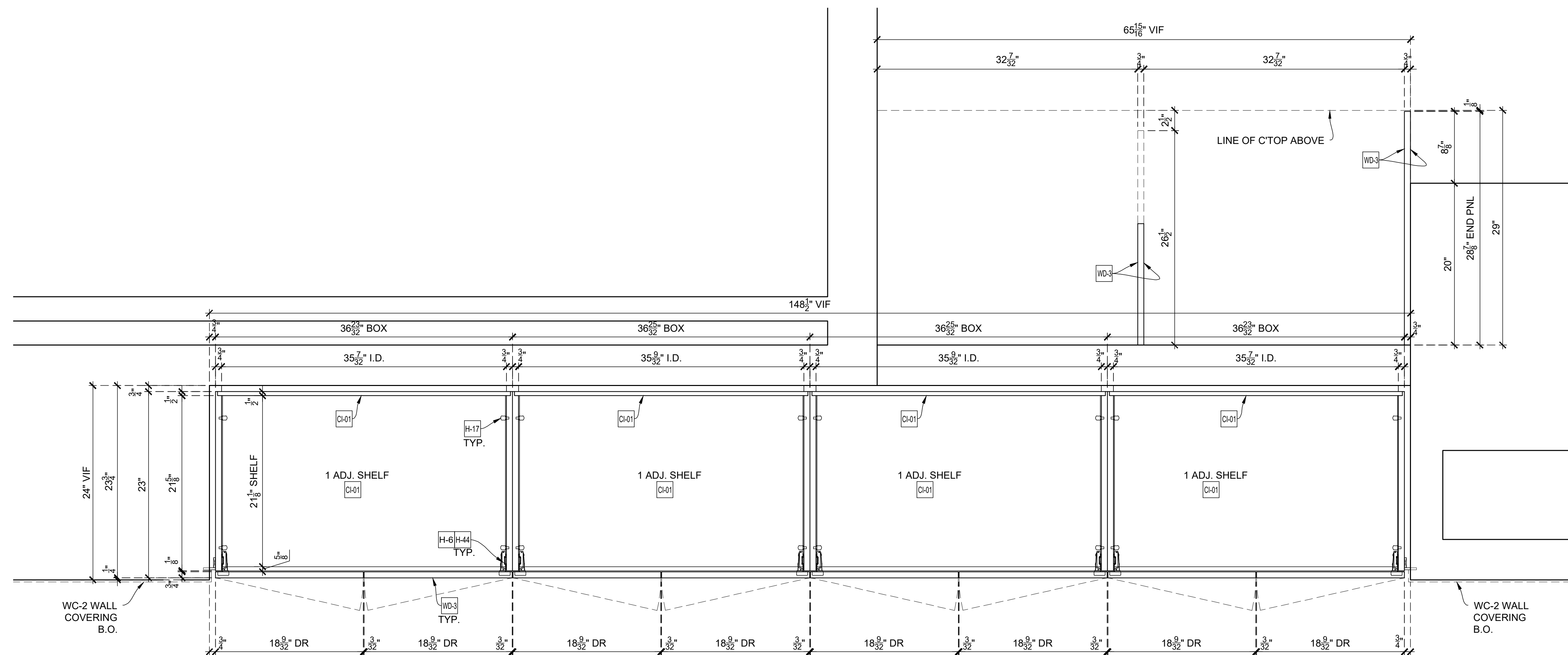


Plot: 2019-03-20 13.19-01.dwg

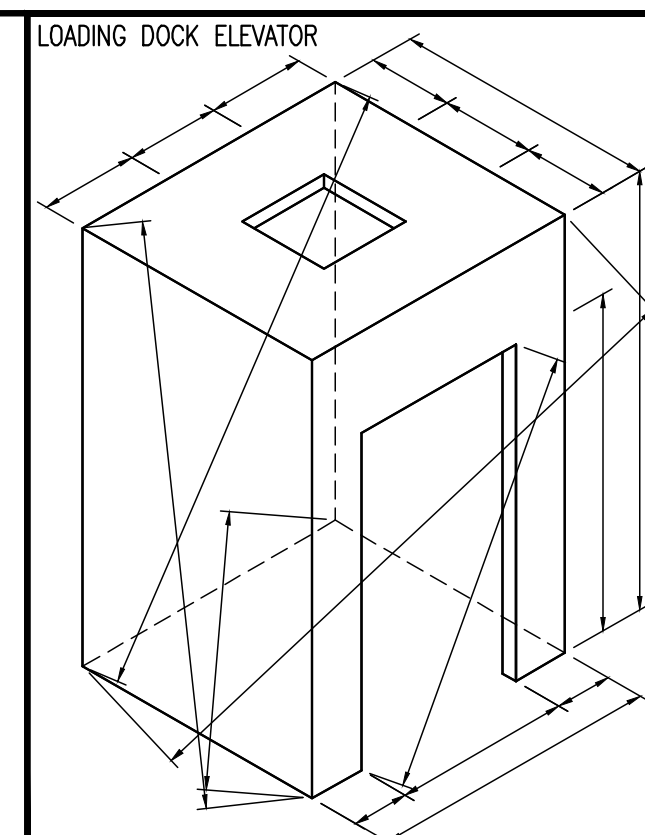
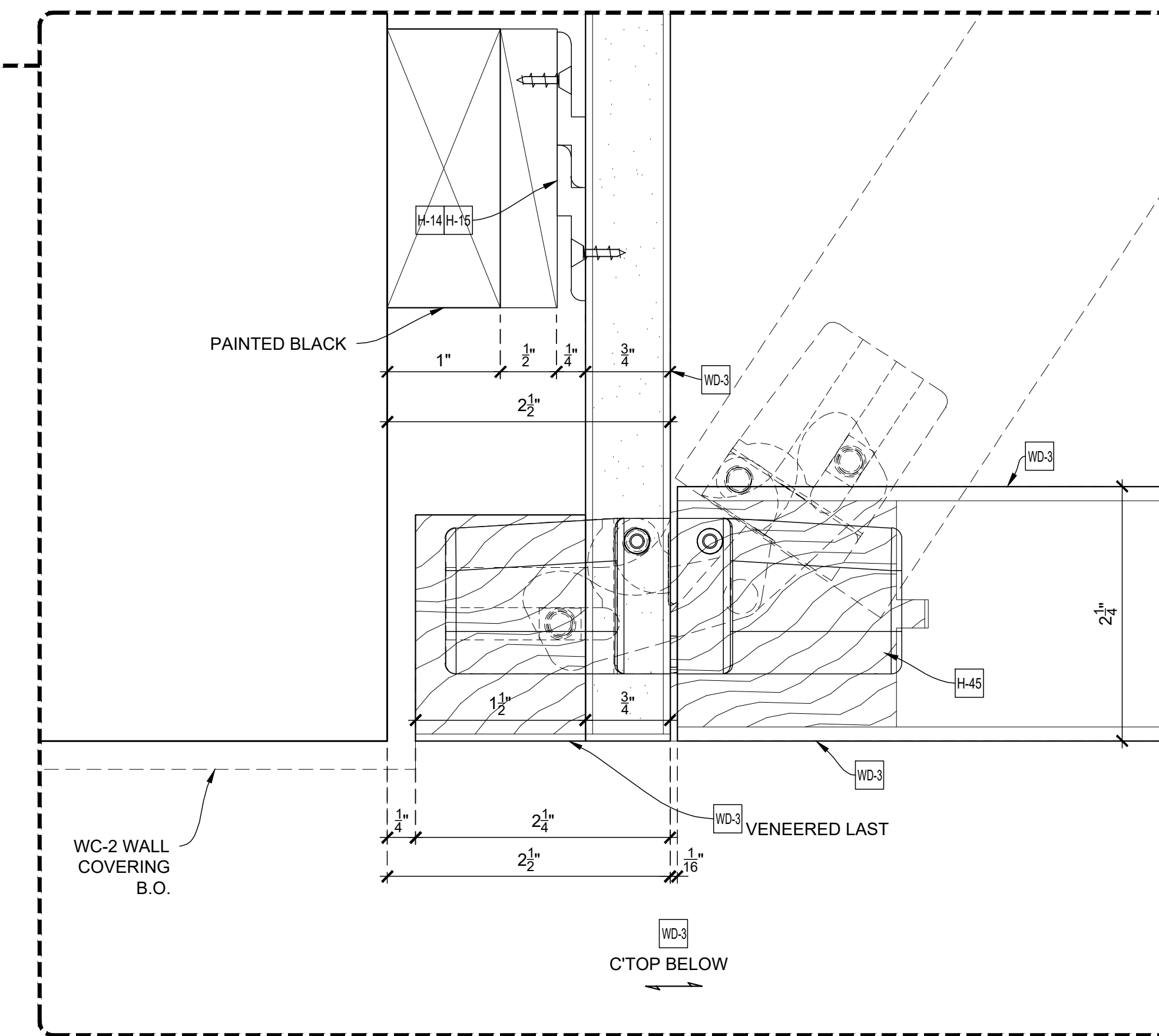
[← Back](#)



PLAN SECTION
SCALE: 1-1/2" = 1'-0"
Arch'l Ref.: 4/A-506.00



PLAN SECTION
SCALE: 1-1/2" = 1'-0"
Arch'l Ref.: NONE



LOADING DOCK ELEVATOR
 ☒ Loose to field
 ☒ Fixed in shop

THIS SPACE
RESERVED
FOR FINISH
SCHEDULE

DRAWING SUBMITTALS AND RETURNS				
DATE	PURPOSE	TO	RETURN	RETURN STATUS

DRAWING REVISIONS				
DATE	DESCRIPTION	REVISED BY	COMMENTS	
1				
2				
3				
4				
5				
6				
7				
8				
9				
10				

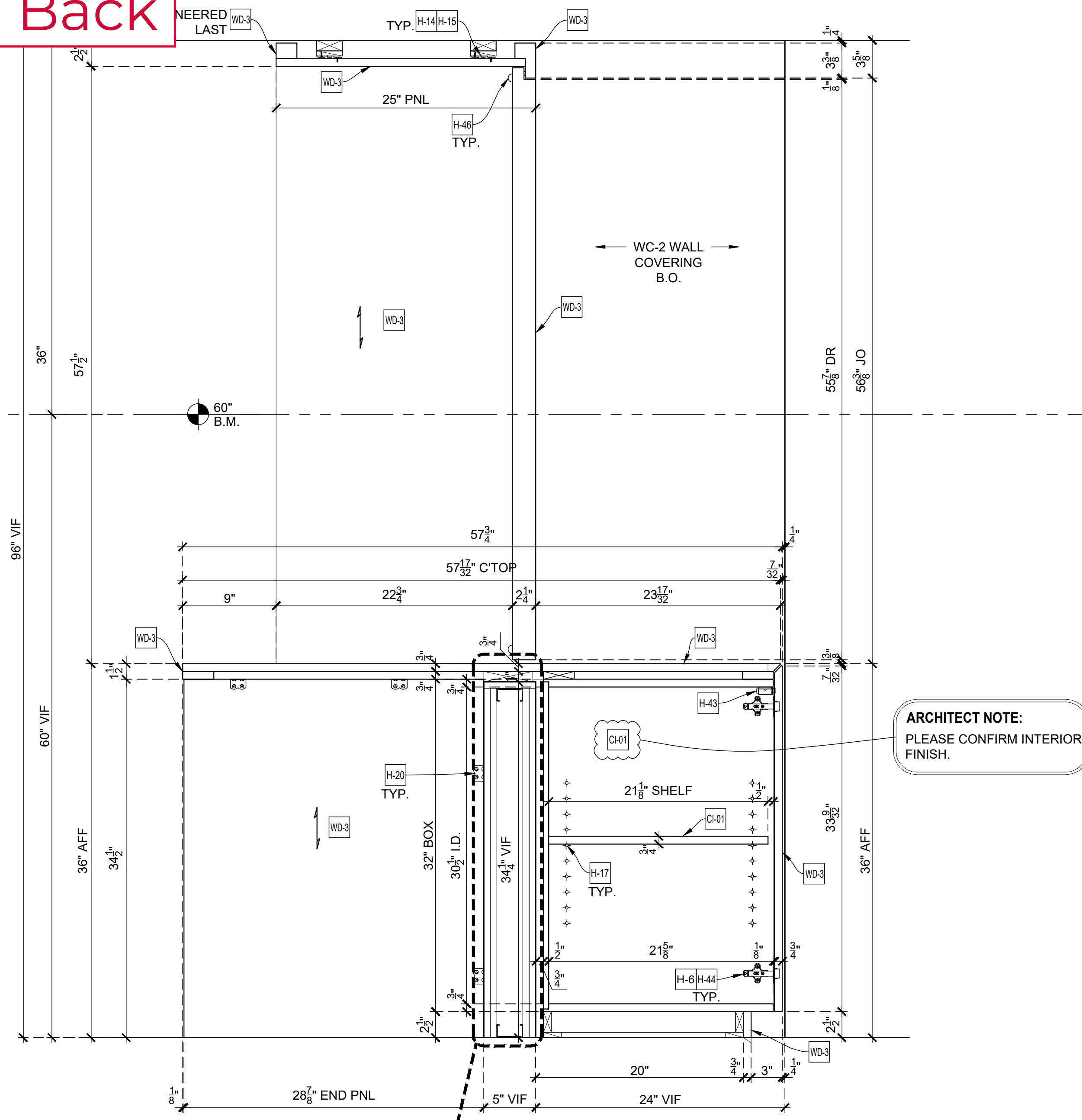
RELEASES FOR FABRICATION	
DATE	DESCRIPTION

TITLE:
 ITEM NO:
 DESC: SECTIONS, DETAIL
 DESC: TRAINING ROOM 13-LL07, AV ROOM 13-J08

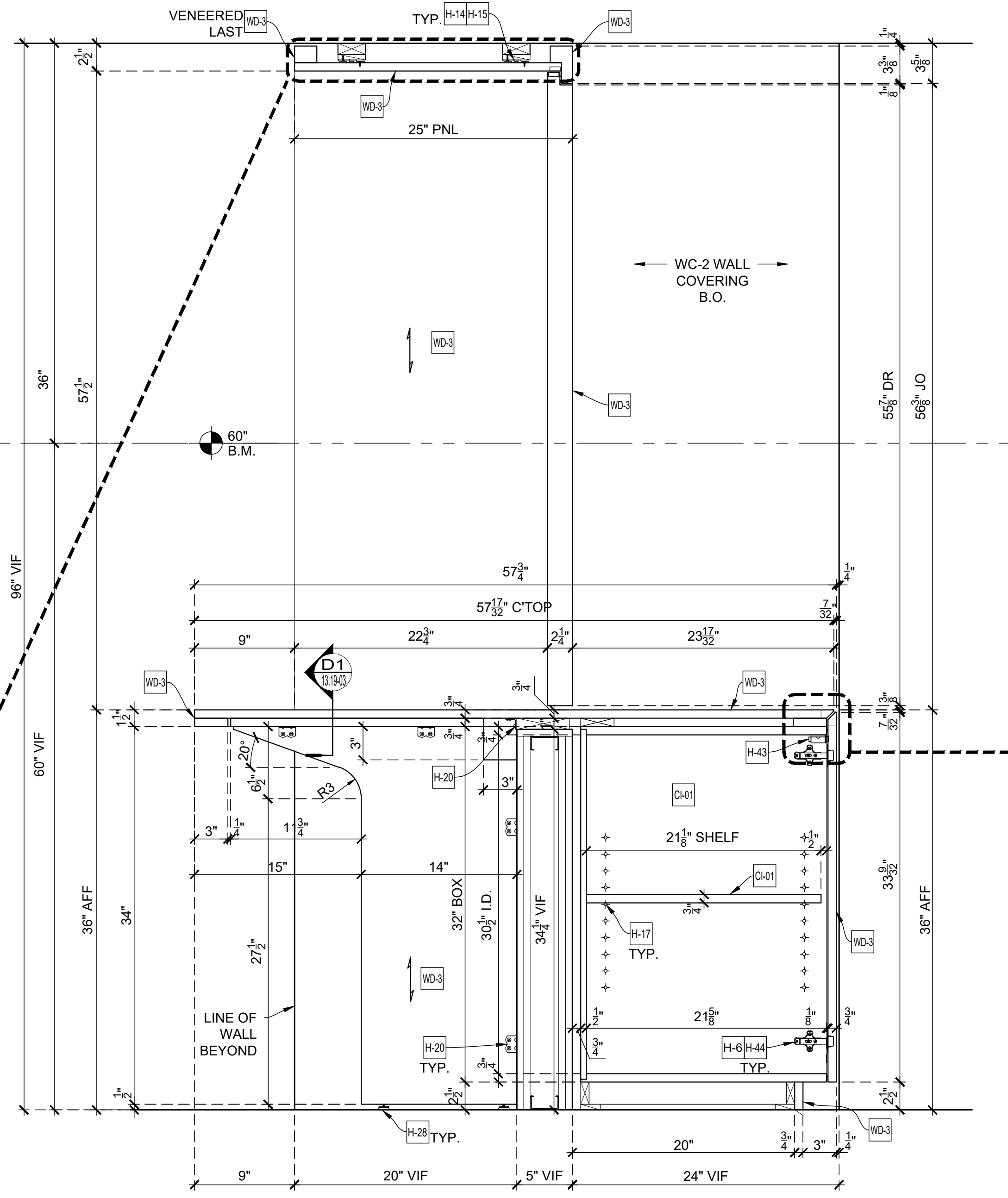
By: PD Scale: As Noted Job No. Dwg. No.
 Status: In Submittal Review Date: 2019-03-20 13.19-02



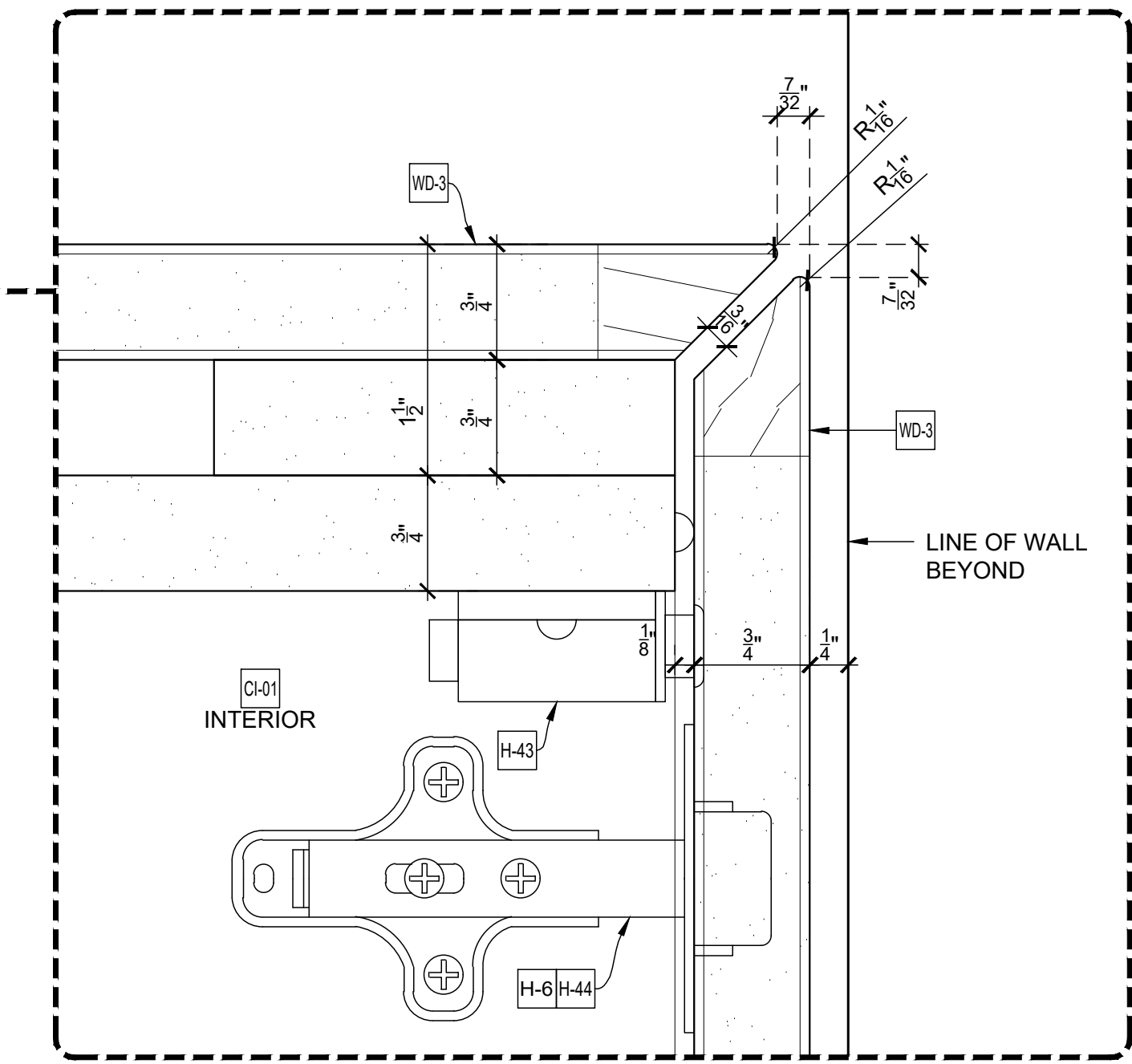
[← Back](#)



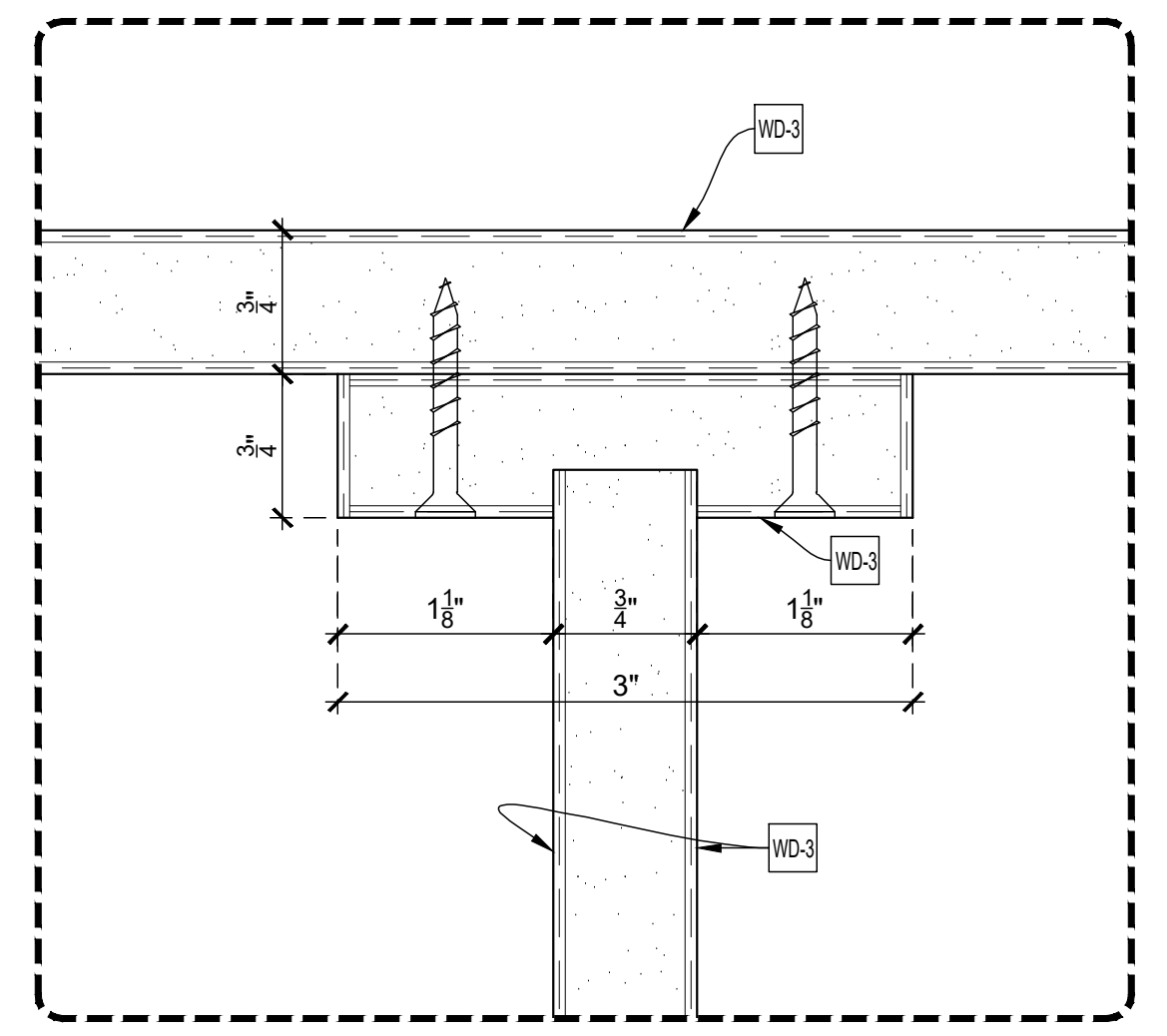
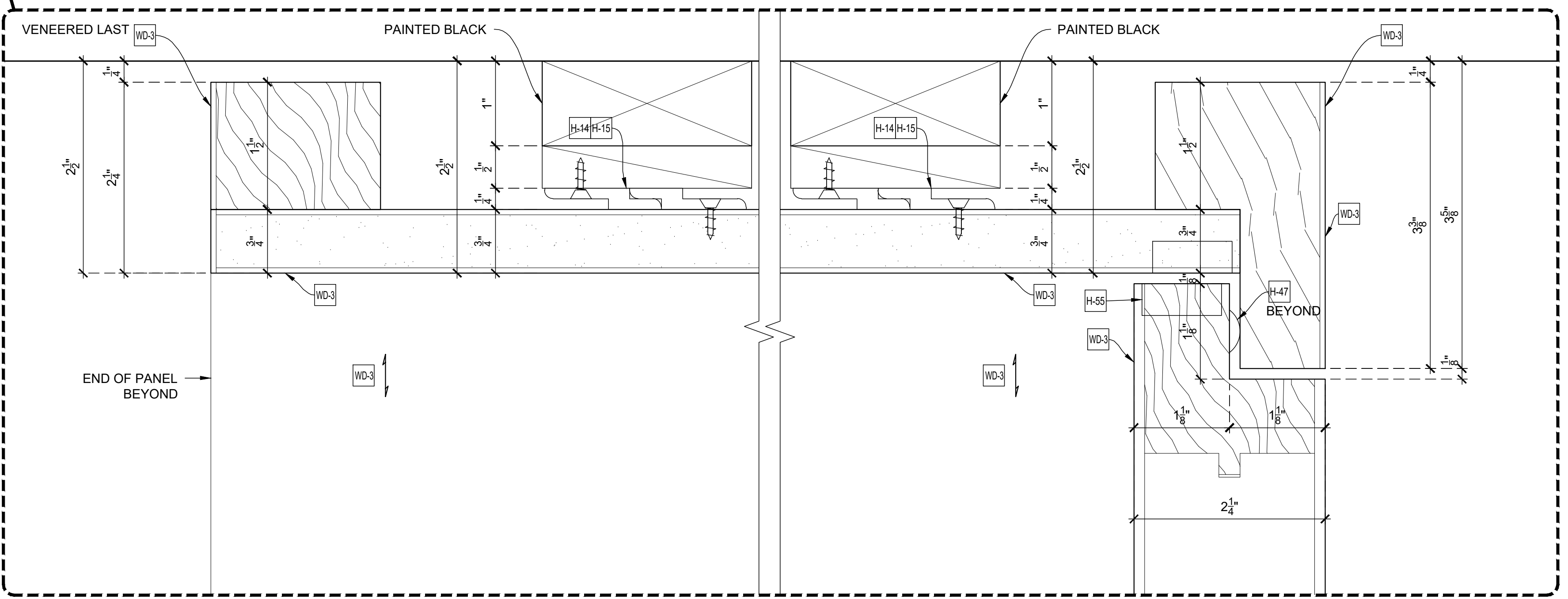
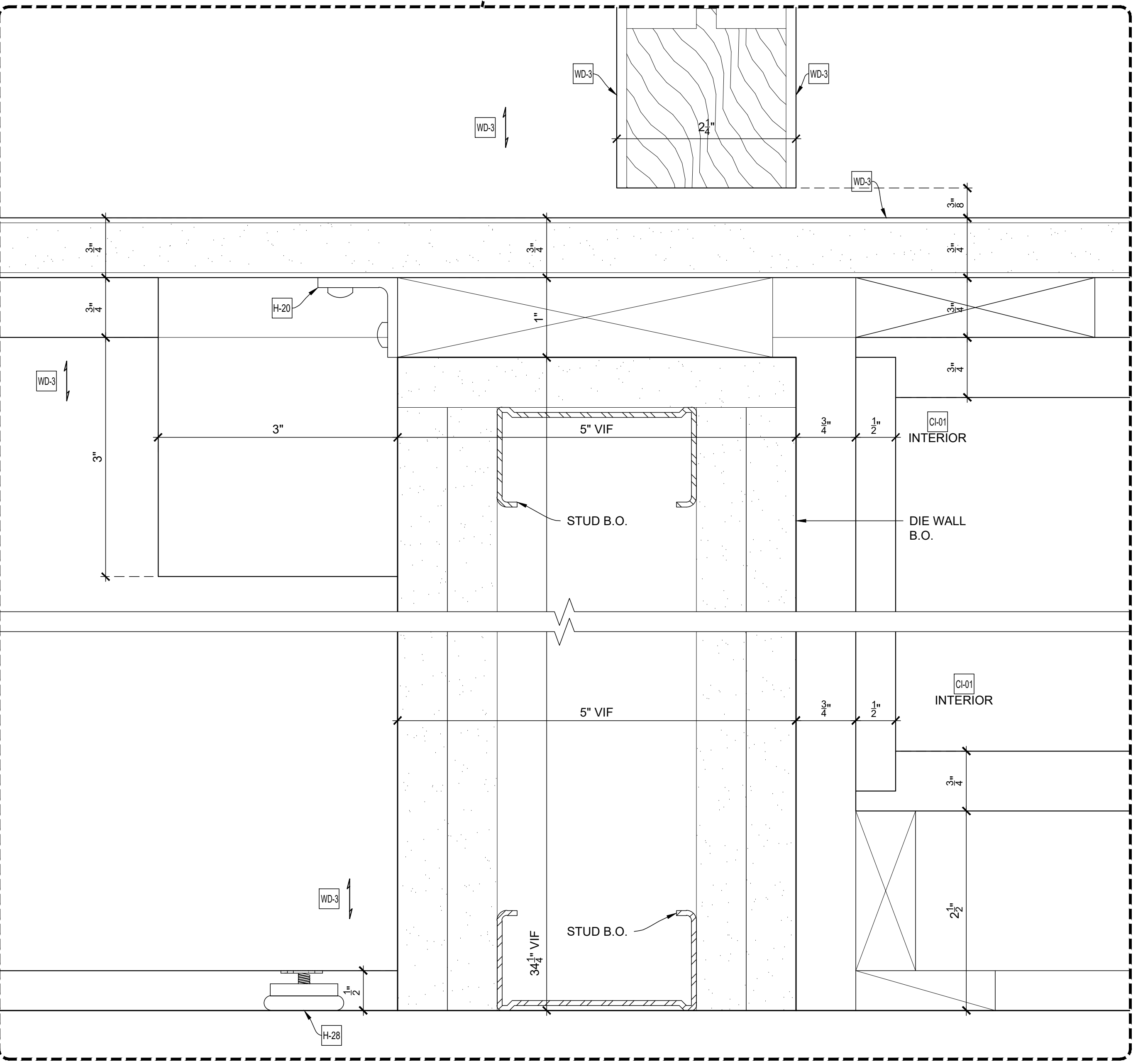
C-198 VERTICAL SECTION
SCALE: 1-1/2" = 1'-0"
Arch'l Ref.: 3/A-506.00



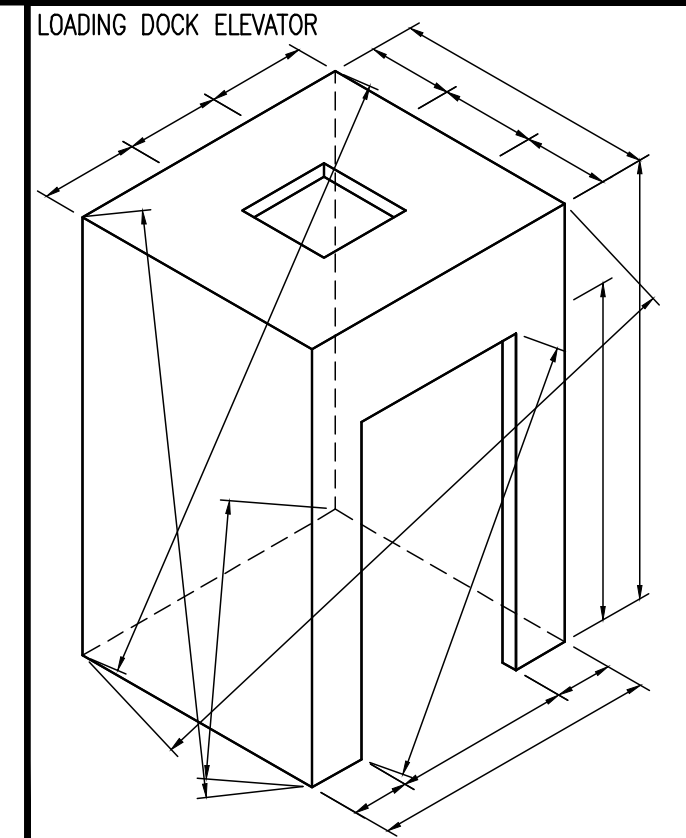
D-199 VERTICAL SECTION
SCALE: 1-1/2" = 1'-0"
Arch'l Ref.: 3/A-506.00



ARCHITECT NOTE:
PLEASE CONFIRM INTERIOR FINISH.



D-1 DETAIL
SCALE: FULL SCALE
Arch'l Ref.: NONE



LOADING DOCK ELEVATOR
 ☒ Loose to field
 ☒ Fixed in shop

THIS SPACE
RESERVE
FOR FINISH
SCHEDULE

DRAWING SUBMITTALS AND RETURNS				
DATE	PURPOSE	TO	RETURN	RETURN STATUS

DRAWING REVISIONS			
DATE	DESCRIPTION	REVISED BY	COMMENTS
1			
2			
3			
4			
5			
6			
7			
8			
9			
10			

RELEASES FOR FABRICATION	
DATE	DESCRIPTION

TITLE:
 ITEM NO:
 DESC.: SECTIONS, DETAILS
 DESC.: TRAINING ROOM 13-LL07, AV ROOM 13-JJ08
 By: PD Scale: As Noted Job No. Dwg. No.
 Status: In Submittal Review Date: 2019-03-20 13.19-03



PLOT WITH BINDER USING

[< Back](#)

DRAWING CHECKLIST

BY	DATE	CHECKLIST FOR ORIGINAL DRAFTING	COMMENTS
✓ PD	2019-03-20	ARCHITECTURAL ELEVATIONS CHECKED AGAINST RCP FOR CEILING HEIGHTS AND SOFFITS	NO FOLLOW UP NEEDED
✓ PD	2019-03-20	DRAWINGS CHECKED FOR INCLUSION OF ALL ITEMS IN SCOPE	NO FOLLOW UP NEEDED
✓ NA	NA	NOTIFIED ENGINEERING MANAGER OF DISCREPANCIES BETWEEN SCOPE AND ARCHITECTURALS	NOT APPLICABLE
✓ PD	2019-03-20	MATERIALS CHECKED AGAINST SCOPE TO VERIFY WHETHER PROVIDED BY MB	NO FOLLOW UP NEEDED
✓ PD	2019-03-20	ALL FINISHES ACCURATELY LISTED AND ASSIGNED TO DRAWING	NO FOLLOW UP NEEDED
✓ PD	2019-03-20	ALL VISIBLE MILLWORK ELEVATED INCLUDING FINISHED END PANELS AND SOFFITS	NO FOLLOW UP NEEDED
✓ PD	2019-03-20	ALL MARKERS AND TAGS CHECKED AND VERIFIED TO BE CORRECT	NO FOLLOW UP NEEDED
✓ PD	2019-03-20	CASEWORK DRAWN PER MB STANDARDS WHEREVER POSSIBLE	NO FOLLOW UP NEEDED
✓ NA	NA	APPLIANCES CHECKED AGAINST CUTS AND CUSTOM PANEL DRAWINGS CREATED AS NEEDED	NOT APPLICABLE
✓ PD	2019-03-20	DOOR HARDWARE SHOWN TO THE EXTENT POSSIBLE PER HARDWARE SCHEDULE AND CUTS	NO FOLLOW UP NEEDED
✓ PD	2019-03-20	HARDWARE LOCATIONS DIMENSIONED OR REQUESTED FROM ENGINEERING MANAGER	NO FOLLOW UP NEEDED
✓ PD	2019-03-20	TITLE BLOCK FILLED OUT COMPLETELY AND ACCURATELY - IE SHEET NUMBERS AND DESCRIPTIONS	NO FOLLOW UP NEEDED
✓ PD	2019-03-20	ALL CABINET HARDWARE ACCURATELY LISTED INCLUDING FINISHES	NO FOLLOW UP NEEDED
✓ PD	2019-03-20	ALL SPELLING CHECKED AND VERIFIED TO BE CORRECT	NO FOLLOW UP NEEDED
✓ PD	2019-03-20	MODEL SPACE LEFT CLEAN OF UN-NEEDED GEOMETRY	NO FOLLOW UP NEEDED
✓ NA	NA	NOTES REGARDING WATERPROOF CORES INCLUDED WHERE APPLICABLE	NOT APPLICABLE
✓ PD	2019-03-20	ELEVATIONS DRAWN WITH REFERENCES TO BENCHMARK	NO FOLLOW UP NEEDED
✓ PD	2019-03-20	ALL ROUGH OPENINGS CLEARLY DIMENSIONED AND REFERENCED TO BENCHMARK	NO FOLLOW UP NEEDED
✓ PD	2019-03-20	ALL DOORS BY MB TAGGED CORRECTLY IN MODELSPACE	NO FOLLOW UP NEEDED
✓ PD	2019-03-20	ALL DOOR SWINGS VERIFIED TO BE SHOWN AND SCHEDULED CORRECTLY	NO FOLLOW UP NEEDED

USE ATTRIBUTE EDIT COMMAND ON AN ITEM TO EDIT USERNAME, DATE, AND COMMENTS

✓ PD	2019-xx-xx	CHECKLIST ITEM	NO FOLLOW UP NEEDED
⬇ PD	2019-xx-xx	CHECKLIST ITEM	NEEDS FOLLOW UP
✓ NA	NA	CHECKLIST ITEM	NOT APPLICABLE

Date Drawn:	2019-03-20	Dwg# 13.19
Drawn by:	PD	

Z:\CSI\In Progress\MB\BANK\BANK_VB111_111.rvt - CTI\CS\2019\03\20\13.19_03_20_19.dwg

[← Back](#)

REVISION CHECKLIST

BY	DATE	CHECKLIST FOR DRAWING REVISIONS	COMMENTS
		ALL REDLINE REVISIONS MADE AND HIGHLIGHTED ON PRINTED COPY	
		ALL IMPLICATIONS OF REDLINE MARKUPS CONSIDERED AND CORRECTED	
		ENGINEERING MANAGER NOTIFIED VIA EMAIL OF ALL POSSIBLE CHANGE ORDERS	
		ALL VISIBLE MILLWORK ELEVATED INCLUDING FINISHED END PANELS AND SOFFITS	
		PLAN AND VERTICAL SECTIONS CROSS CHECKED FOR ACCURACY	
		ALL MARKERS AND TAGS CHECKED AND VERIFIED TO BE CORRECT	
		ALL GRAIN DIRECTIONS CLEARLY INDICATED INCLUDING WOOD, METAL, AND PLAM FINISHES	
		APPLIANCES CHECKED AGAINST CUTS AND CUSTOM PANEL DRAWINGS CREATED AS NEEDED	
		DOOR HARDWARE SHOWN TO THE EXTENT POSSIBLE PER HARDWARE SCHEDULE AND CUTS	
		HARDWARE LOCATIONS DIMENSIONED OR REQUESTED FROM ENGINEERING MANAGER	
		ALL CABINET HARDWARE ACCURATELY LISTED INCLUDING FINISHES	
		ALL FINISHES ACCURATELY LISTED , INDICATED ON DRAWINGS, AND ASSIGNED TO SERIES	
		MATERIALS CHECKED AGAINST SCOPE TO VERIFY WHETHER PROVIDED BY MB	
		ALL NECESSARY FIELD DIMENSIONS INDICATED ON DRAWINGS	
		ALL FIELD DIMENSIONS APPLIED, ALL VIF DIMENSIONS REPLACED WTH FD	
		ENGINEERING MANAGER NOTIFIED OF MISSING FIELD DIMENSIONS	
		ALL +/- INDICATIONS REMOVED EXCEPT WHERE SCRIBE IS INVOLVED	
		ALL LOOSE JOINTS INDICATED CLEARLY	
		COMPONENT SIZES CHECKED AGAINST ELEVATOR SIZE TO ENSURE ACCESS	
		UNUSED GEOMETRY DELETED FROM DRAWING	
		UNUSED PAPERSPACE TABS DELETED FROM DRAWING	
		ALL RESOLVED QUESTIONS, CLOUDS, AND NOTES REMOVED FROM DRAWING	
		ENGINEERING MANAGER NOTIFIED BY EMAIL OF ANY NEW ISSUES WHICH REQUIRE ANSWERS	
		ITEMS READY FOR FABRICATION CLEARLY INDICATED OR ITEMS ON HOLD CLEARLY INDICATED	

USE ATTRIBUTE EDIT COMMAND ON AN ITEM TO EDIT USERNAME, DATE, AND COMMENTS

✓	DZALE	10/21/14	CHECKLIST ITEM	NO FOLLOW UP NEEDED
↓	dzale	10/21/14	CHECKLIST ITEM	NEEDS FOLLOW UP
✓	NA	NA	CHECKLIST ITEM	NOT APPLICABLE

Date Drawn:	X	X
Drawn by:	X	

Dwg#