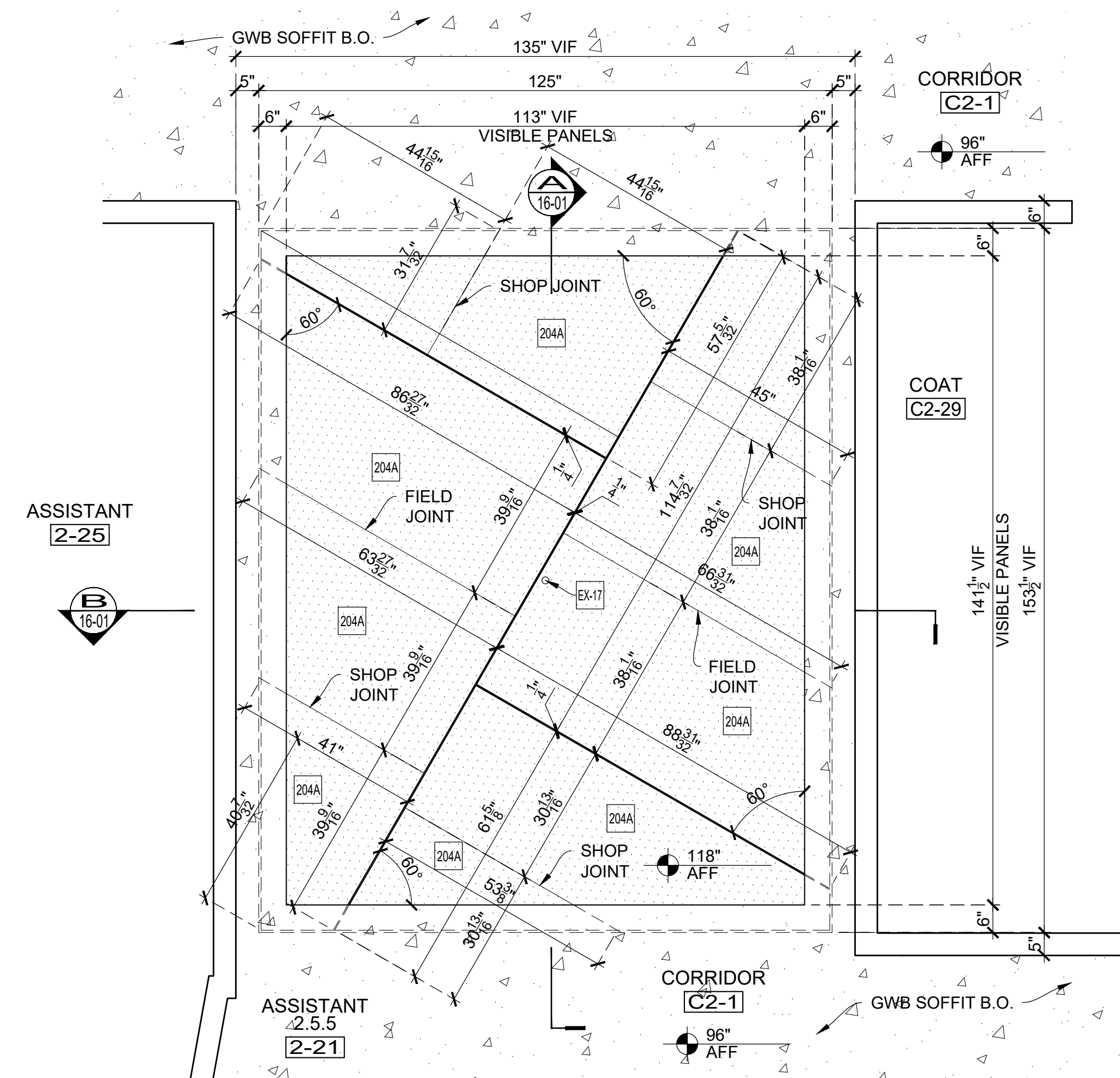
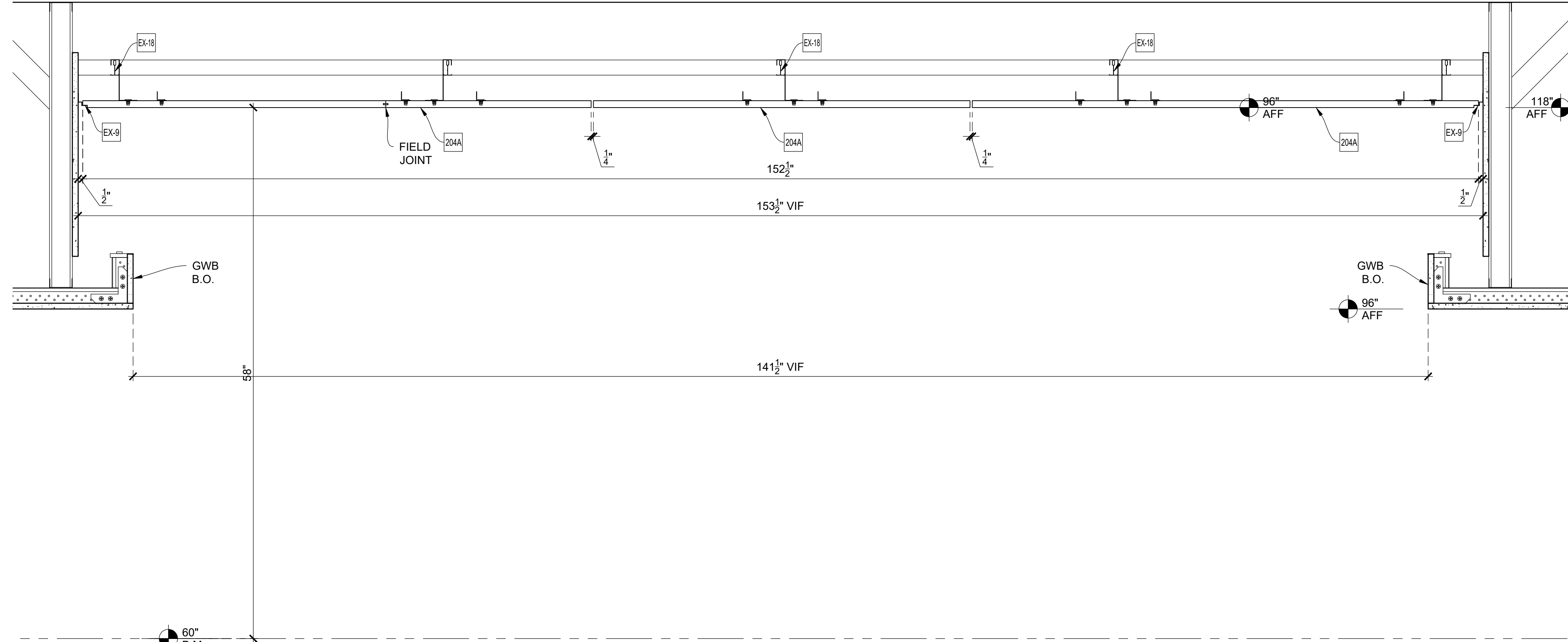


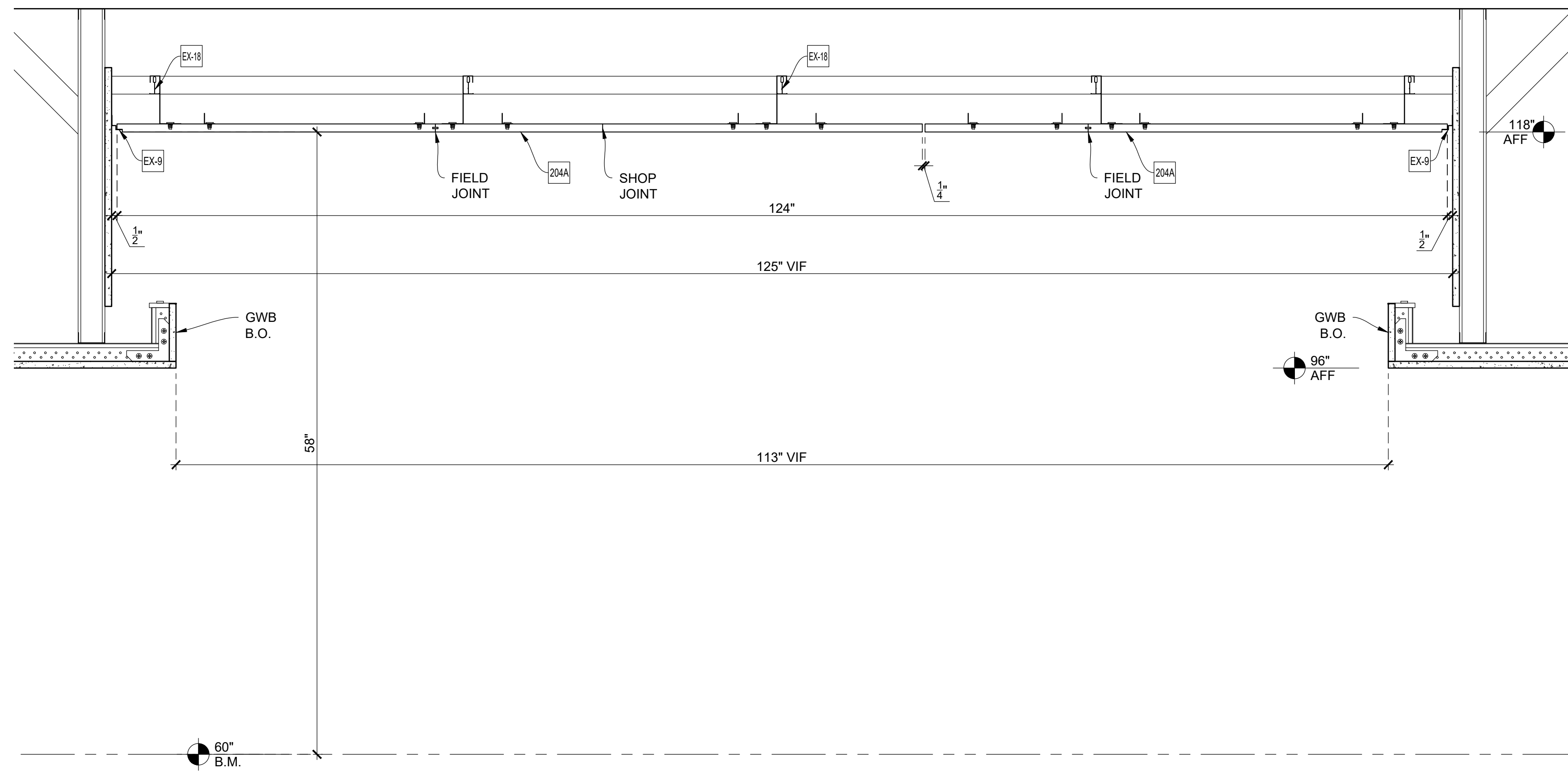
[← Back](#)



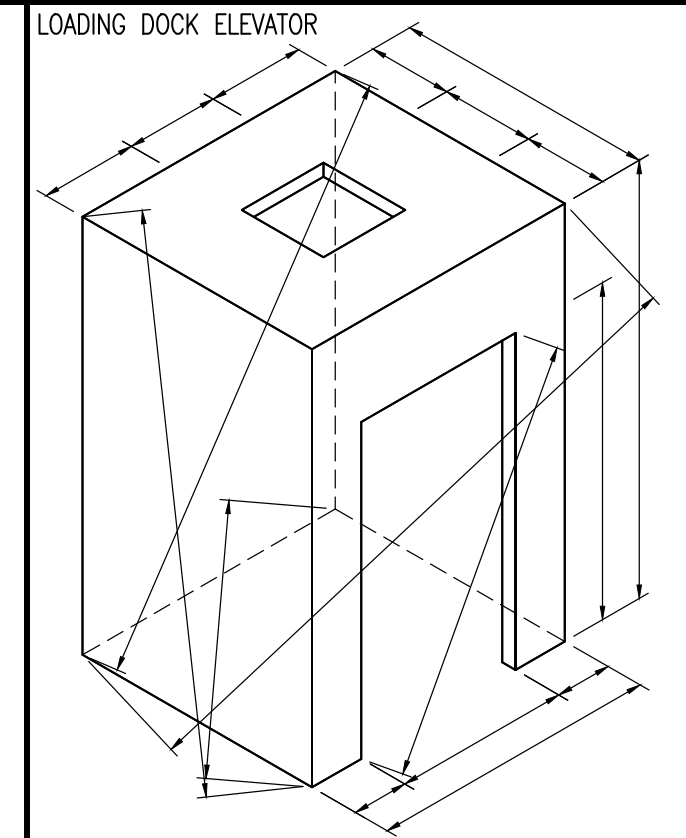
16-01 REFLECTED CEILING PLAN
 SCALE: 1/2" = 1'-0"
 Archt Ref.: 1/A-402, 2/A615



16-01 VERTICAL SECTION
 SCALE: 1/12" = 1'-0"
 Archt Ref.: NONE



16-01 VERTICAL SECTION
 SCALE: 1/12" = 1'-0"
 Archt Ref.: NONE



LOADING DOCK ELEVATOR
 ☒ Loose to field
 ☒ Fixed in shop

THIS SPACE RESERVED FOR FINISH SCHEDULE

- EXCLUSIONS:**
- EX-3 SHADOW LINE MOLDING
 - EX-10 LIGHT FIXTURE LUCIFER LIGHTNING (LA-114)
 - EX-11 LIGHT FIXTURE OCL-U1-CINA (LA-113)
 - EX-12 PERIMETER TRIM
 - EX-13 LIGHT FIXTURE USAI 3153 AC1 (LA-1038)
 - EX-14 SOUND MASKING SYSTEM, LENCORE, SPECTRA I NET
 - EX-15 CEILING MOUNTED MICROPHONE, BASIS OF DESIGN, AUDIX WSW
 - EX-16 SPRINKLER HEAD
 - EX-17 OCCUPANCY SENSOR
 - EX-18 HEAVY DUTY T-BAR
 - EX-20 CEILING MOUNTED SPEAKER (S)
 - EX-21 CEILING MOUNTED DUAL-TECHNOLOGY VACANCY SENSOR (VS)

DRAWING SUBMITTALS AND RETURNS				
DATE	PURPOSE	TO	RETURN	RETURN STATUS

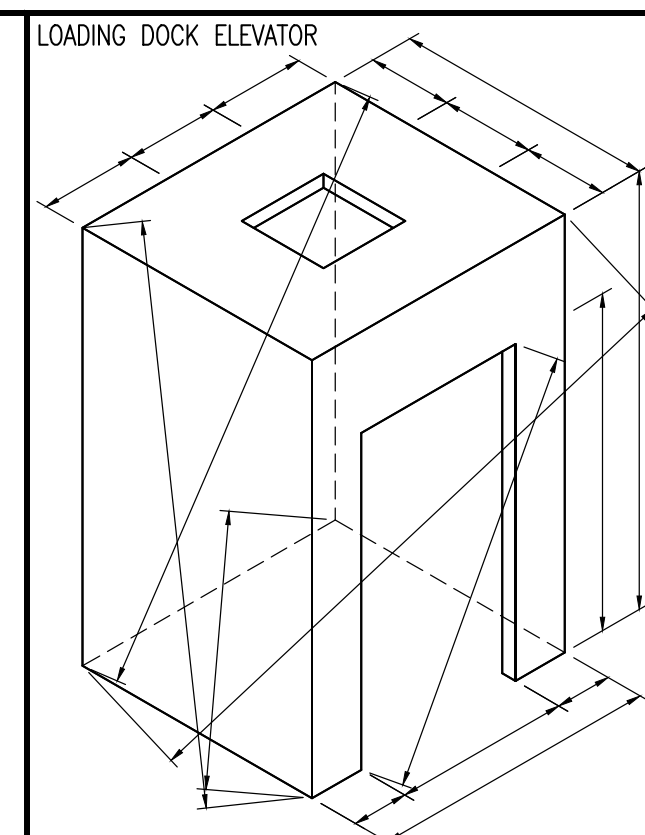
DRAWING REVISIONS			
DATE	DESCRIPTION	REVISED BY	COMMENTS
1			
2			
3			
4			
5			
6			
7			
8			
9			
10			

RELEASES FOR FABRICATION	
DATE	DESCRIPTION

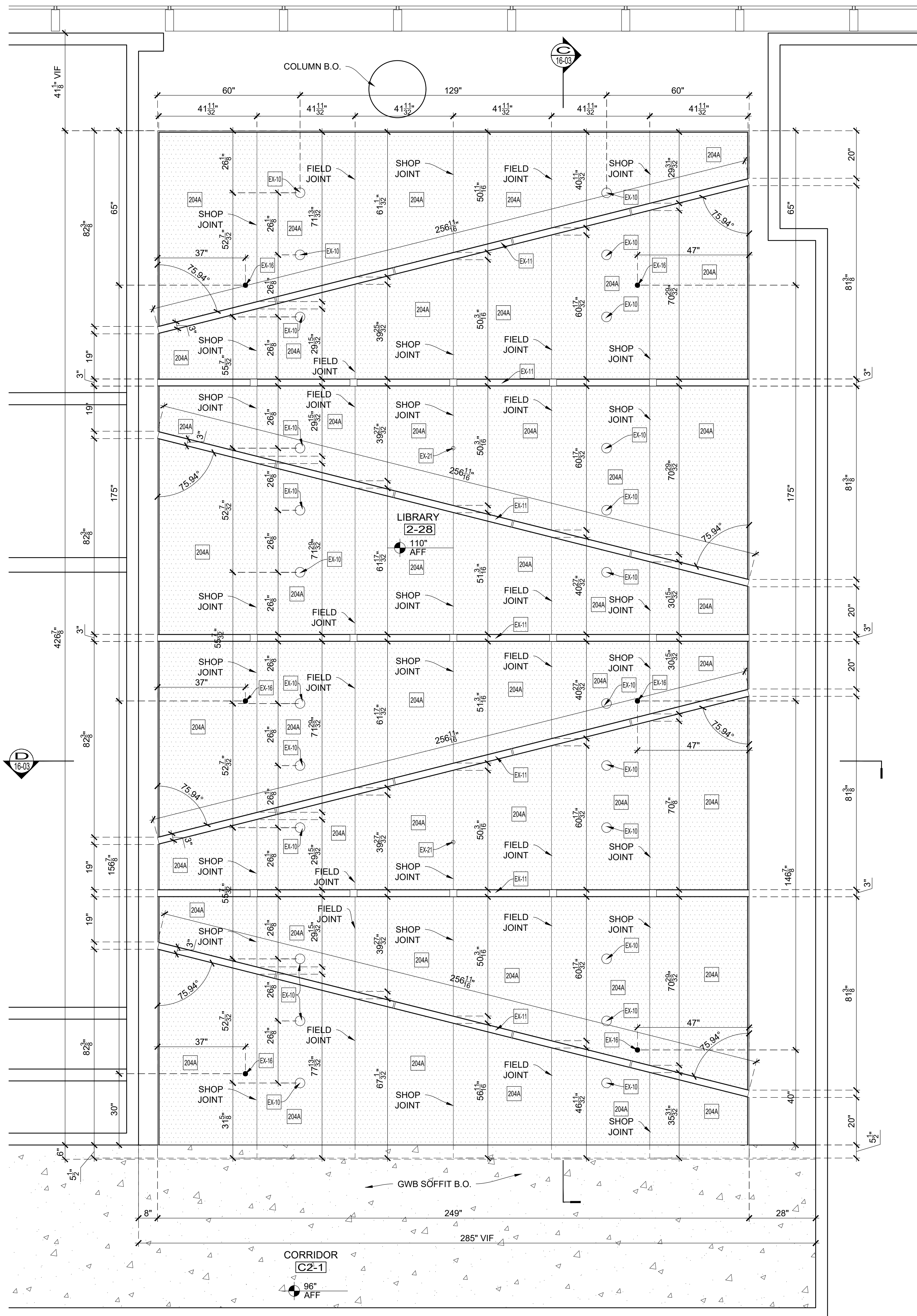
TITLE:
 ITEM NO:
 DESC.: PLAN & SECTIONS
 DESC.: CEILING PANELS AT CORRIDOR C-21
 By: PD Scale: As Noted Job No. Dwg. No.
 Status: In Submittal Review Date: 2018-10-11 **16-01**

THIS SPACE RESERVED FOR HARDWARE SCHEDULE

THIS SPACE RESERVED FOR GENERAL NOTES



Loose to field
Fixed in shop



EXCLUSIONS:

- EX-3 SHADOW LINE MOLDING
- EX-10 LIGHT FIXTURE LUCIFER LIGHTNING (LA-114)
- EX-11 LIGHT FIXTURE OCL-U1-CINA (LA-113)
- EX-12 PERIMETER TRIM
- EX-13 LIGHT FIXTURE USAI 3153 AC1 (LA-1038)
- EX-14 SOUND MASKING SYSTEM, LENCORE, SPECTRA I NET
- EX-15 CEILING MOUNTED MICROPHONE, BASIS OF DESIGN, AUDIX W3W
- EX-16 SPRINKLER HEAD
- EX-17 OCCUPANCY SENSOR
- EX-18 HEAVY DUTY T-BAR
- EX-20 CEILING MOUNTED SPEAKER (S)
- EX-21 CEILING MOUNTED DUAL-TECHNOLOGY VACANCY SENSOR (VS)

DRAWING SUBMITTALS AND RETURNS

DATE	PURPOSE	TO	RETURN	RETURN STATUS

DRAWING REVISIONS

DATE	DESCRIPTION	REVISED BY	COMMENTS
1			
2			
3			
4			
5			
6			
7			
8			
9			
10			

RELEASES FOR FABRICATION

DATE	DESCRIPTION

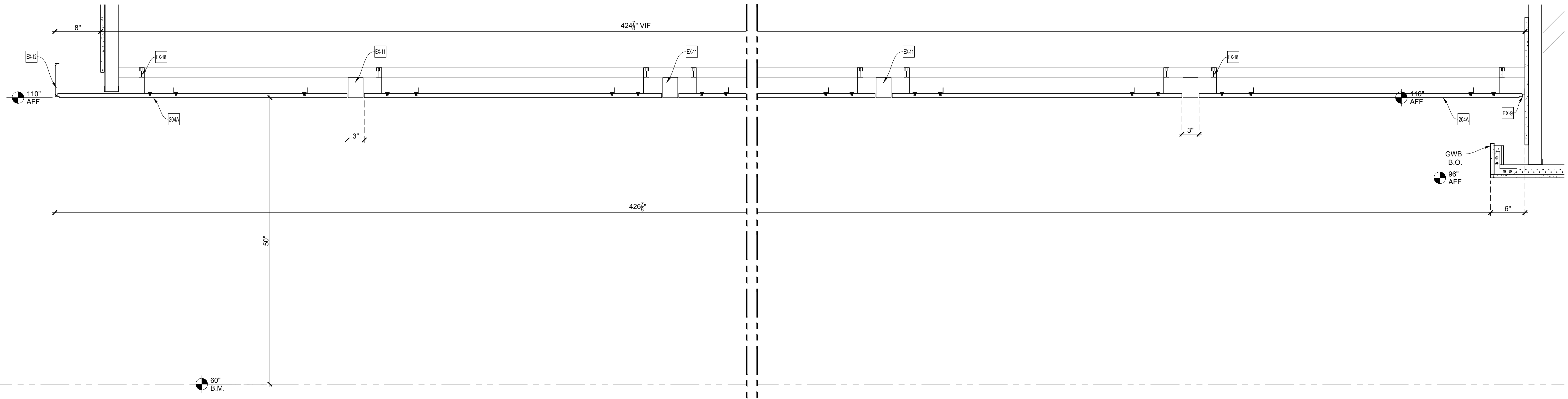
16A REFLECTED CEILING PLAN
SCALE: 1/2" = 1'-0"
Arch't Ref: 1/A-402, 2/A615



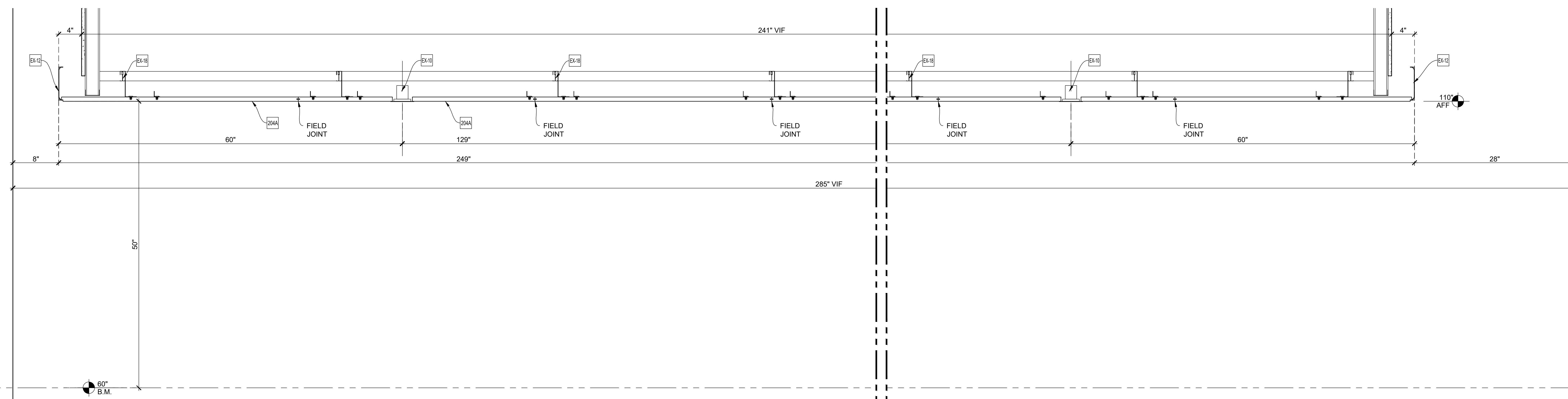
TITLE:
ITEM NO:
DESC.: PLAN
DESC: CEILING PANELS AT LIBRARY 2-28

By: PD Scale: As Noted Job No. Dwg. No.
Status: In Submittal Review Date: 2018-10-11 16-02

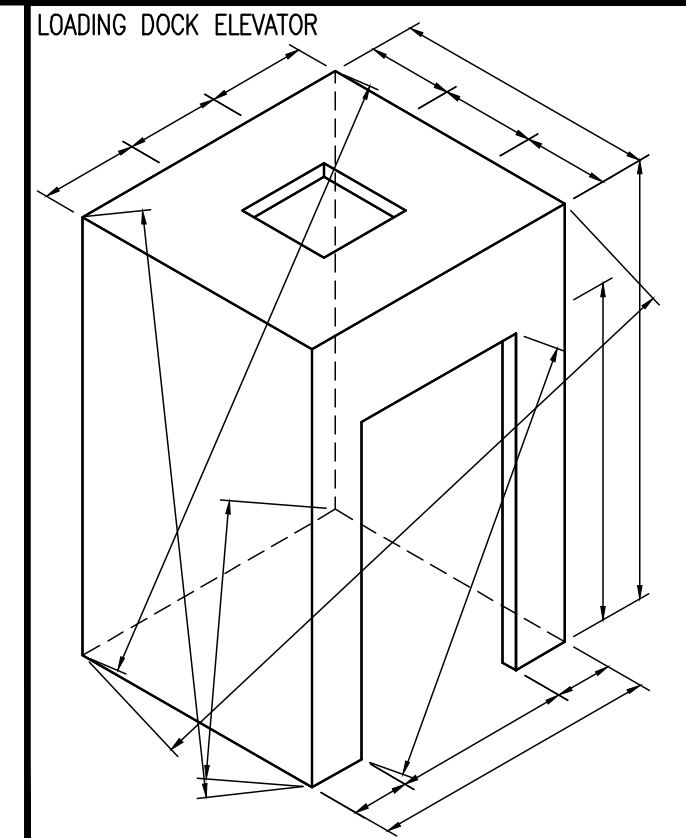
[← Back](#)



C-16-05 VERTICAL SECTION
SCALE: 1-1/2" = 1'-0"
Arch1 Ref.: 8,10A-656



D-16-07 VERTICAL SECTION
SCALE: 1-1/2" = 1'-0"
Arch1 Ref.: 2/A-609, 5/A-650



LOADING DOCK ELEVATOR
 ☒ Loose to field
 ☒ Fixed in shop

THIS SPACE IS RESERVED FOR FINISH SCHEDULE

EXCLUSIONS:

EX-3	SHADOW LINE MOLDING
EX-10	LIGHT FIXTURE LUCIFER LIGHTINGS (LA-114)
EX-11	LIGHT FIXTURE OCL-UAT-CINA (LA-113)
EX-12	PERIMETER TRIM
EX-13	LIGHT FIXTURE USAI 3153 AC1 (LA-1038)
EX-14	SOUND MASKING SYSTEM LENCORE, SPECTRA I NET
EX-15	CEILING MOUNTED MICROPHONE, BASIS OF DESIGN, AUDIX WSW
EX-16	SPRINKLER HEAD
EX-17	OCCUPANCY SENSOR
EX-18	HEAVY DUTY T-BAR
EX-20	CEILING MOUNTED SPEAKER (S)
EX-21	CEILING MOUNTED DUAL-TECHNOLOGY VACANCY SENSOR (VS)

DRAWING SUBMITTALS AND RETURNS

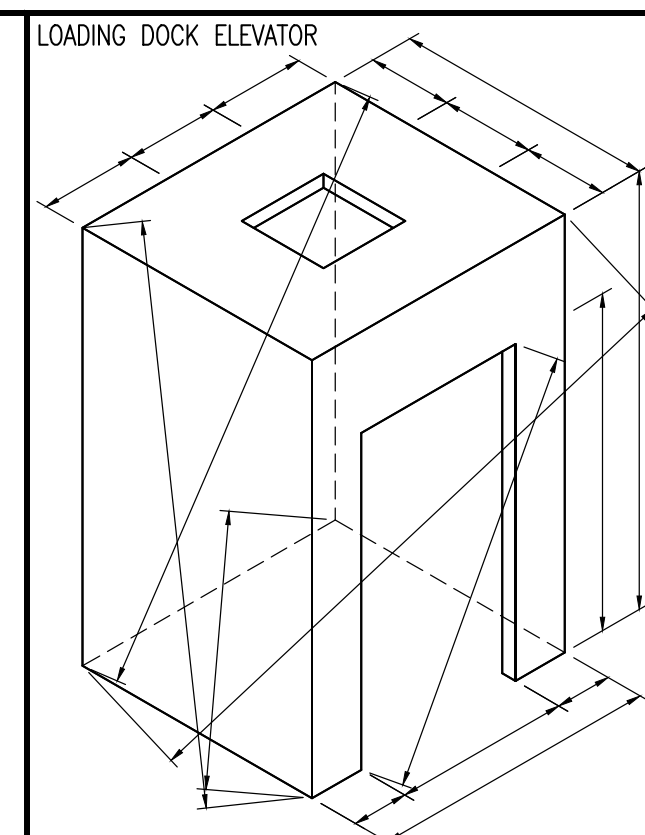
DATE	PURPOSE	TO	RETURN	RETURN STATUS

DRAWING REVISIONS

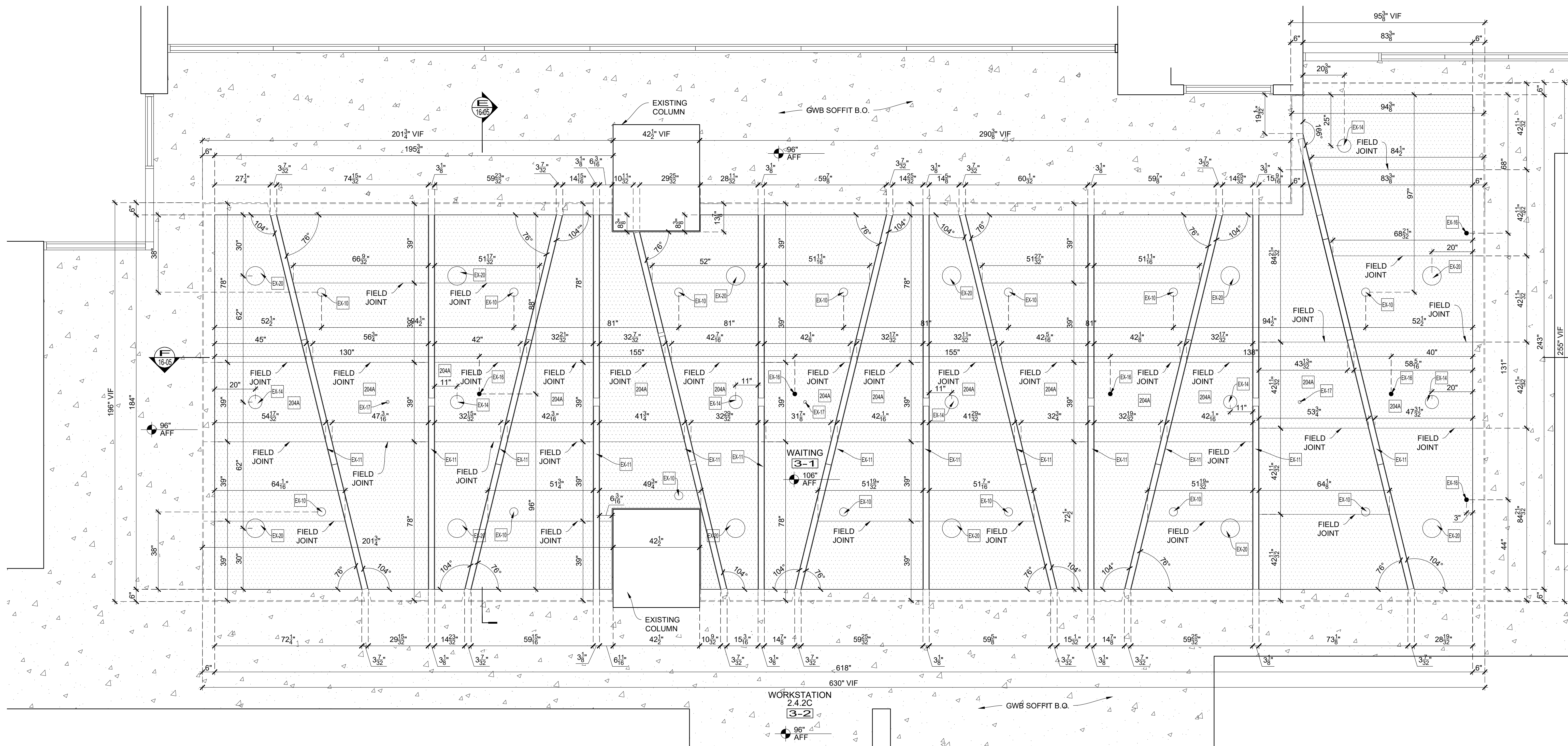
DATE	DESCRIPTION	REVISED BY	COMMENTS
1			
2			
3			
4			
5			
6			
7			
8			
9			
10			

RELEASES FOR FABRICATION

DATE	DESCRIPTION



Loose to field
 Fixed in shop



16B
 16-04
 REFLECTED CEILING PLAN
 SCALE: 1/2" = 1'-0"
 Archt Ref.: 1/A-403, 3/A616
 NORTH

WAITING
 3-1
 CEILING
 PANELS
 AT
 WAITING
 3-1

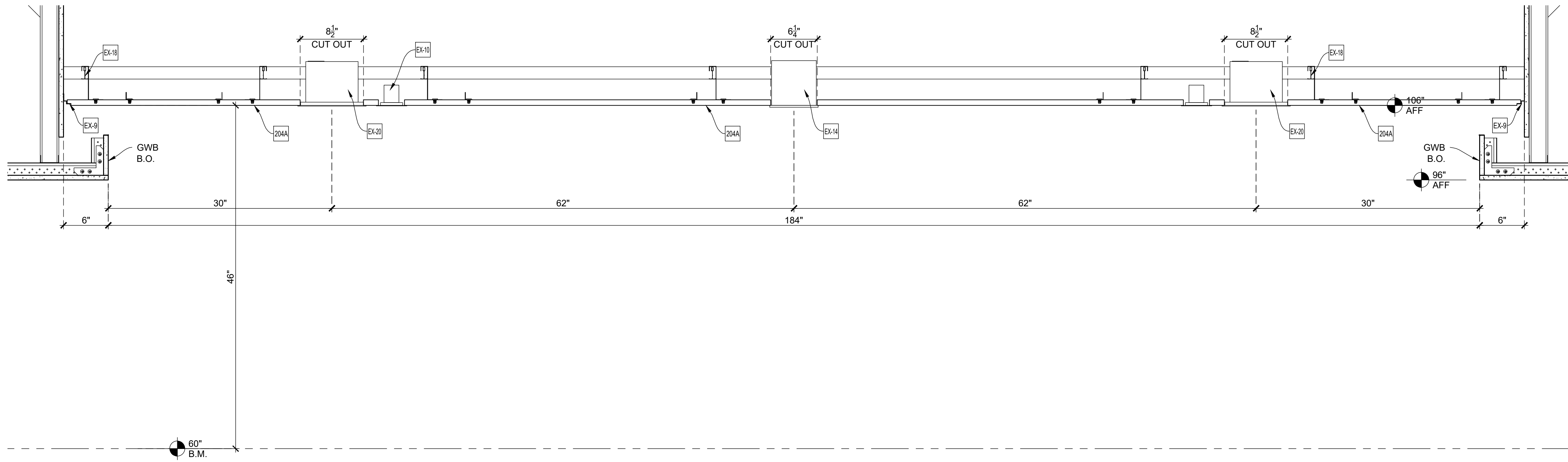
- EXCLUSIONS:**
- EX-3 SHADOW LINE MOLDING
 - EX-10 LIGHT FIXTURE LUCIFER LIGHTNING (LA-114)
 - EX-11 LIGHT FIXTURE OCLUA1-CINA (LA-113)
 - EX-12 PERIMETER TRIM
 - EX-13 LIGHT FIXTURE USAI 3153 AC1 (LA-1038)
 - EX-14 SOUND MASKING SYSTEM, LENCORE, SPECTRA I NET
 - EX-15 CEILING MOUNTED MICROPHONE, BASIS OF DESIGN, AUDIX W3W
 - EX-16 SPRINKLER HEAD
 - EX-17 OCCUPANCY SENSOR
 - EX-18 HEAVY DUTY T-BAR
 - EX-19 CEILING MOUNTED SPEAKER (S)
 - EX-20 CEILING MOUNTED DUAL-TECHNOLOGY VACANCY SENSOR (VS)

DRAWING SUBMITTALS AND RETURNS				
DATE	PURPOSE	TO	RETURN	RETURN STATUS

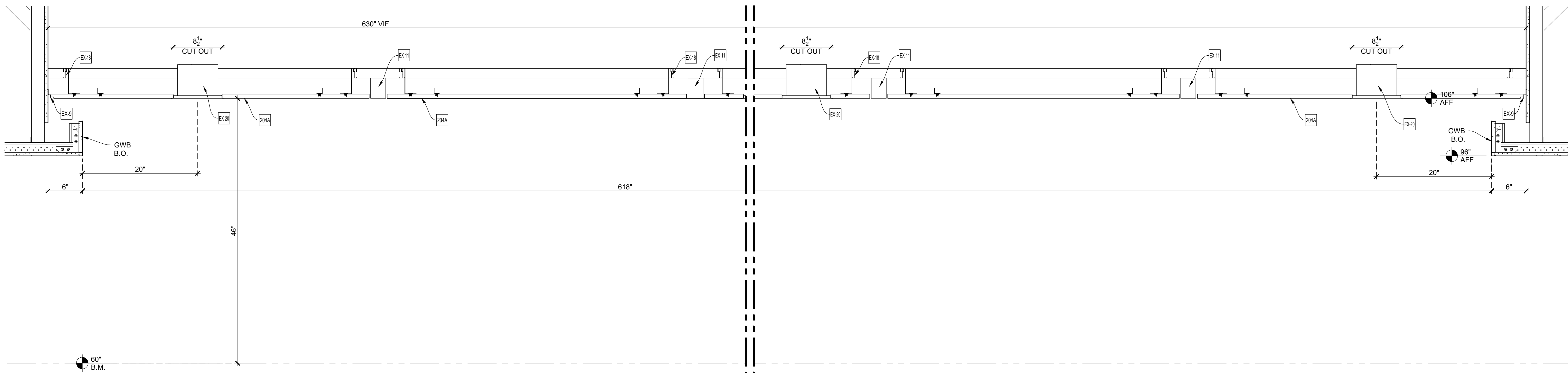
DRAWING REVISIONS				
DATE	DESCRIPTION	REVISED BY	REVISION	COMMENTS
1				
2				
3				
4				
5				
6				
7				
8				
9				
10				

RELEASES FOR FABRICATION	
DATE	DESCRIPTION

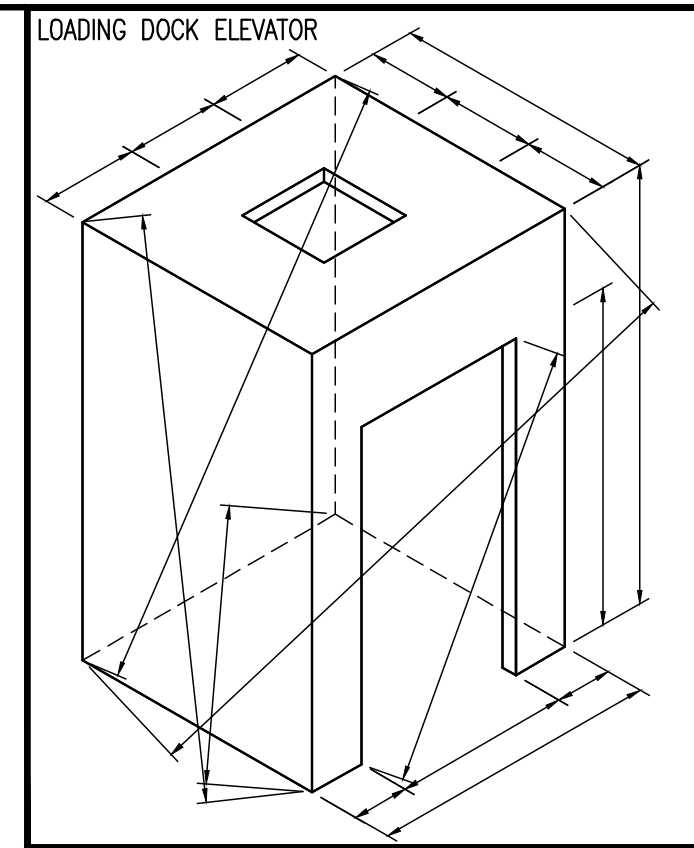
< Back



VERTICAL SECTION
SCALE: 1-1/2" = 1'-0"
Arch't Ref.: 8/A-656



VERTICAL SECTION
SCALE: 1-1/2" = 1'-0"
Arch't Ref.: NONE



Loose to field
Fixed in shop

THIS SPACE
RESERVED
FOR FINISH
SCHEDULE

EXCLUSIONS:

EX-3	SHADOW LINE MOLDING
EX-10	LIGHT FIXTURE LUCIFER LIGHTNINGS (LA-114)
EX-11	LIGHT FIXTURE OCL-UJ1-CINA (LA-113)
EX-12	PERIMETER TRIM
EX-13	LIGHT FIXTURE USAI 3153 AC1 (LA-1038)
EX-14	SOUND MASKING SYSTEM LENCORE, SPECTRA I NET
EX-15	CEILING MOUNTED MICROPHONE, BASIS OF DESIGN, AUDIX WSW
EX-16	SPRINKLER HEAD
EX-17	OCCUPANCY SENSOR
EX-18	HEAVY DUTY T-BAR
EX-20	CEILING MOUNTED SPEAKER (S)
EX-21	CEILING MOUNTED DUAL-TECHNOLOGY VACANCY SENSOR (VS)

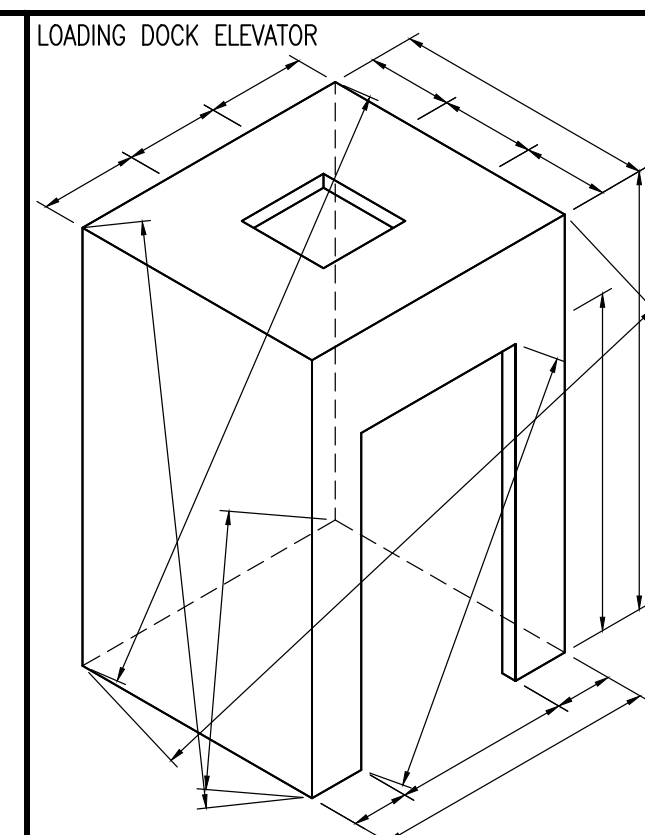
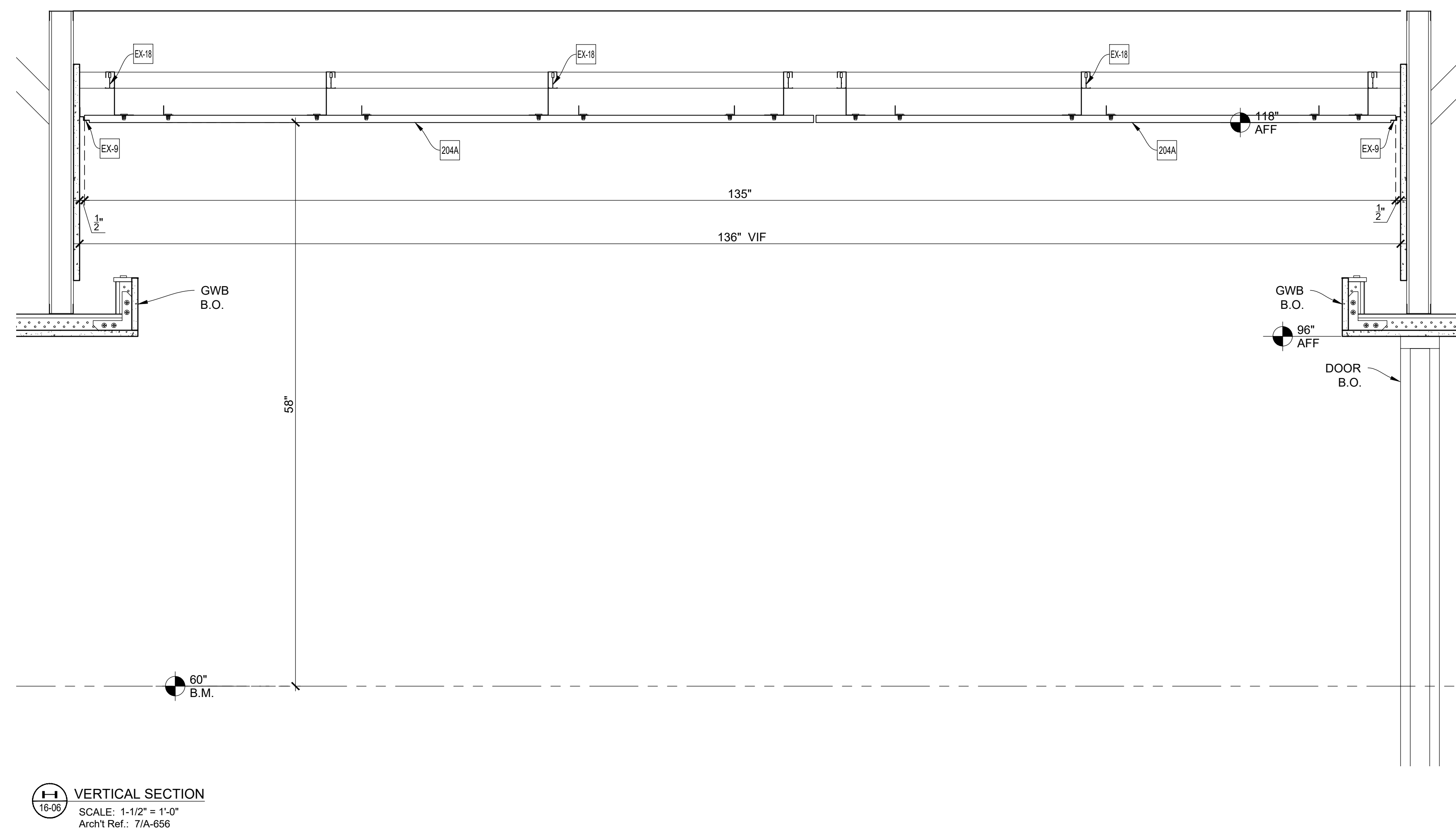
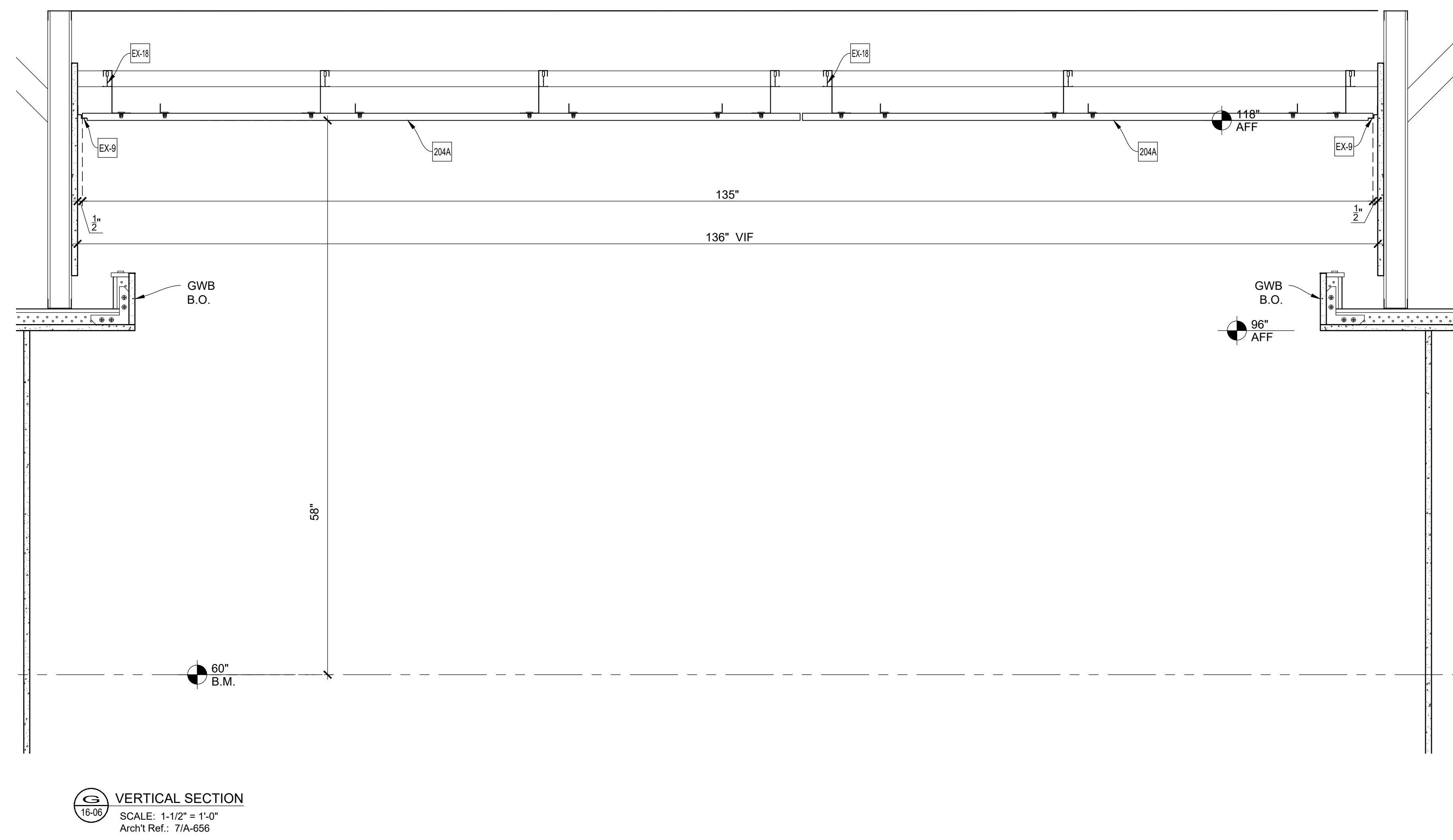
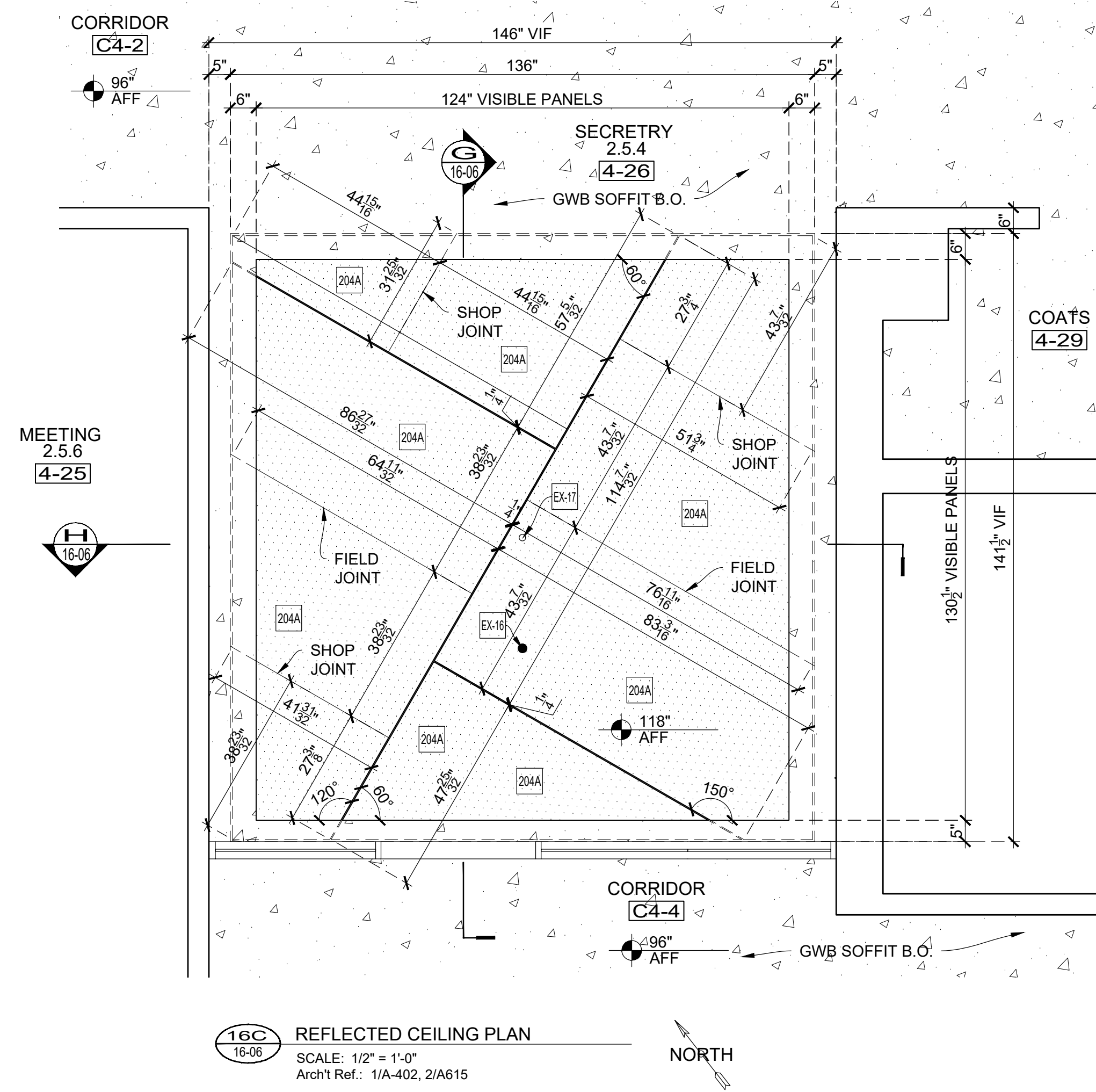
DRAWING SUBMITTALS AND RETURNS				
DATE	PURPOSE	TO	RETURN	RETURN STATUS

DRAWING REVISIONS				
DATE	DESCRIPTION	REVISED BY	COMMENTS	
1				
2				
3				
4				
5				
6				
7				
8				
9				
10				

RELEASES FOR FABRICATION	
DATE	DESCRIPTION

TITLE:
ITEM NO:
DESC.: PLAN
DESC: CEILING PANELS AT WAITING 3-1
By: PD Scale: As Noted Job No. Dwg. No.
Status: In Submittal Review Date: 2018-10-11 16-05

← Back



⊗ Loose to field
 ⊠ Fixed in shop

SPACE
 RESERVED
 FOR FINISH
 SCHEDULE

- EXCLUSIONS:**
- EX-3 SHADOW LINE MOLDING
 - EX-10 LIGHT FIXTURE LUCIFER LIGHTNING (LA-114)
 - EX-11 LIGHT FIXTURE OCL-UA1-CINA (LA-113)
 - EX-12 PERIMETER TRIM
 - EX-13 LIGHT FIXTURE USAI 3153 AC1 (LA-1038)
 - EX-14 SOUND MASKING SYSTEM, LENCORE, SPECTRA I NET
 - EX-15 CEILING MOUNTED MICROPHONE, BASIS OF DESIGN, AUDIX W3W
 - EX-16 SPRINKLER HEAD
 - EX-17 OCCUPANCY SENSOR
 - EX-18 HEAVY DUTY T-BAR
 - EX-20 CEILING MOUNTED SPEAKER (S)
 - EX-21 CEILING MOUNTED DUAL-TECHNOLOGY VACANCY SENSOR (VS)

DRAWING SUBMITTALS AND RETURNS				
DATE	PURPOSE	TO	RETURN	RETURN STATUS

DRAWING REVISIONS			
DATE	DESCRIPTION	REVISED BY	COMMENTS
1			
2			
3			
4			
5			
6			
7			
8			
9			
10			

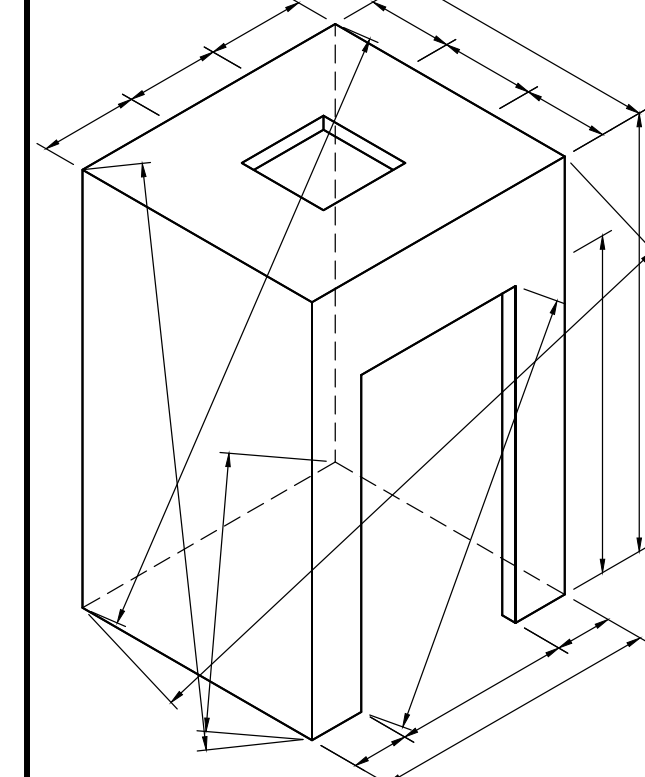
RELEASES FOR FABRICATION	
DATE	DESCRIPTION

TITLE:
 ITEM NO:
 DESC.: PLAN
 DESC: CEILING PANELS AT CORRIDOR C4-4

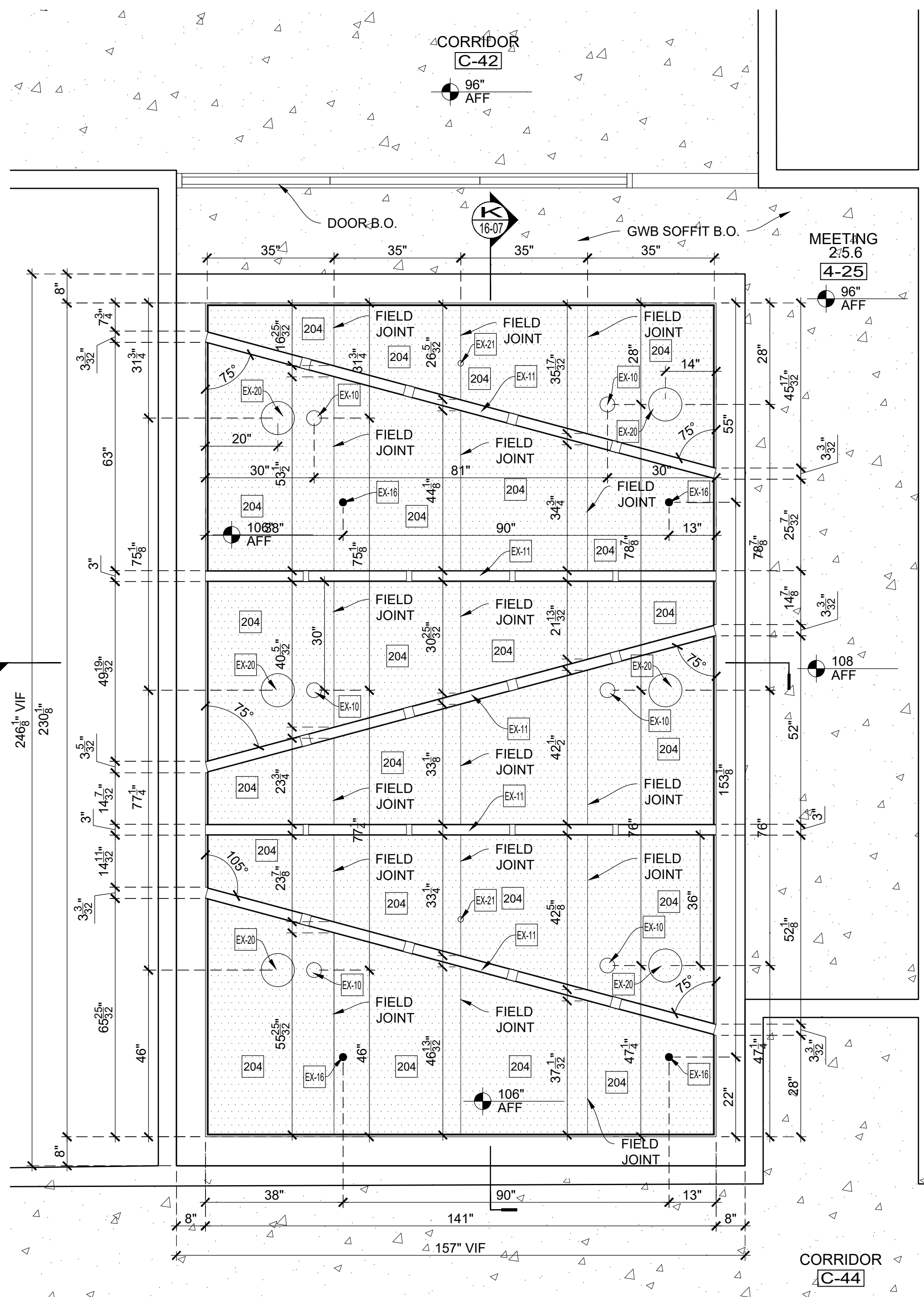
By: PD Scale: As Noted Job No. Dwg. No.
 Status: In Submittal Review Date: 2018-10-11 **16-06**

[← Back](#)

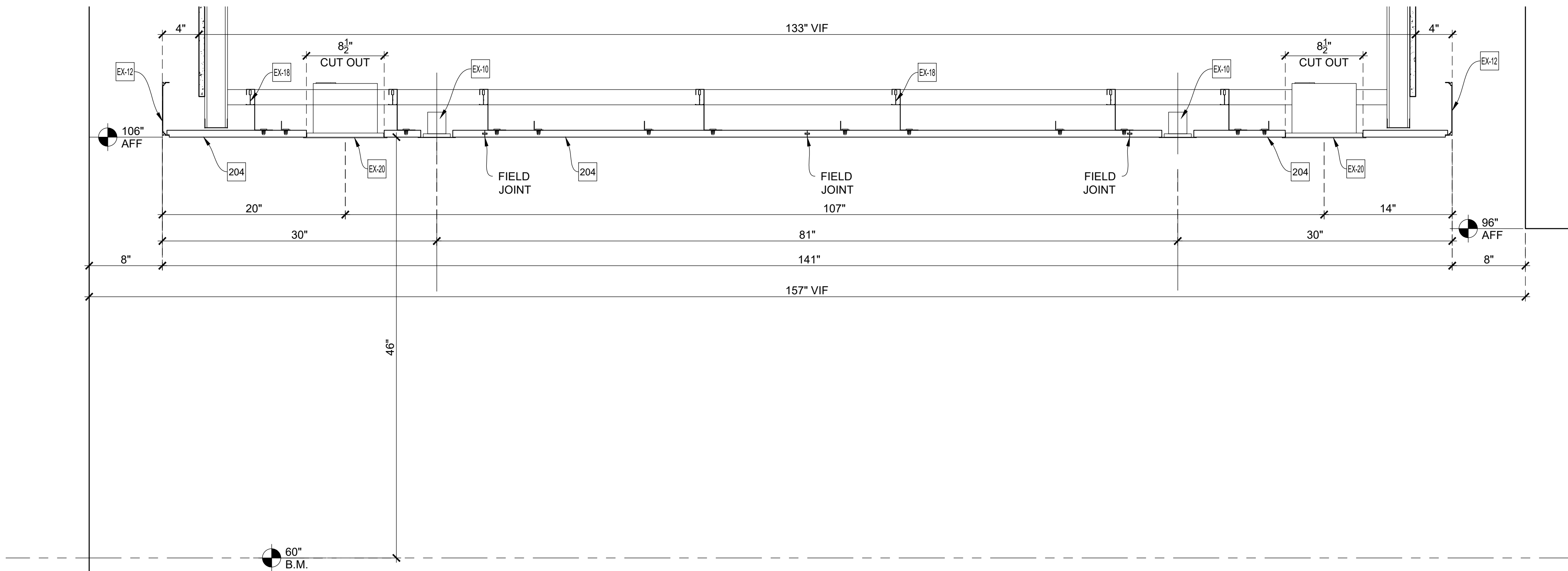
LOADING DOCK ELEVATOR



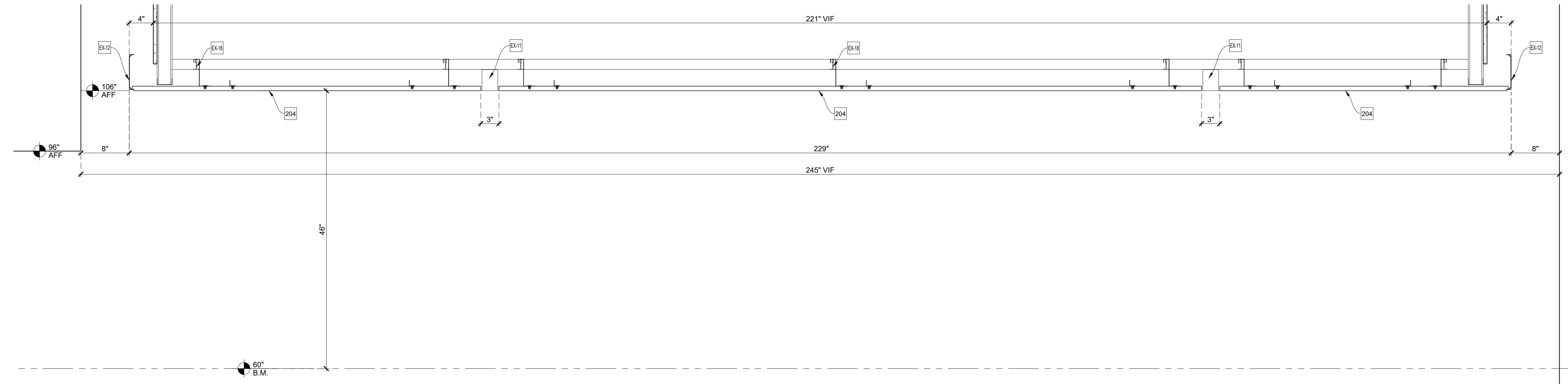
⊗ Loose to field
 ⊠ Fixed in shop



16D
 REFLECTED CEILING PLAN
 SCALE: 1/2" = 1'-0"
 Archt Ref.: 1/A-403, 2/A617



16-07
 VERTICAL SECTION
 SCALE: 1-1/2" = 1'-0"
 Archt Ref.: 5/A-657



16-07
 VERTICAL SECTION
 SCALE: 1-1/2" = 1'-0"
 Archt Ref.: 4.9/A-656

THIS RES

DRAWING SUBMITTALS AND RETURNS				
DATE	PURPOSE	TO	RETURN	RETURN STATUS

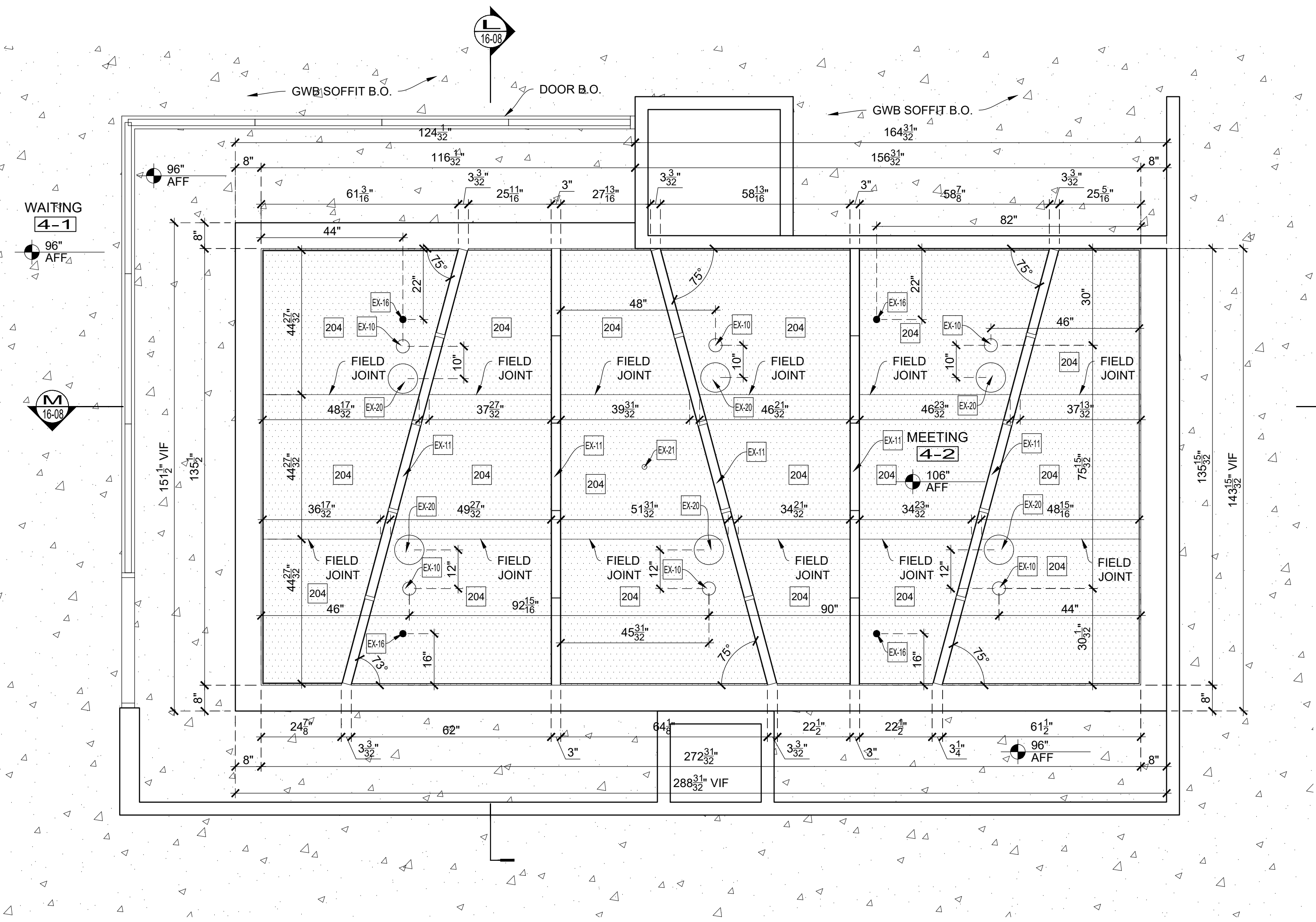
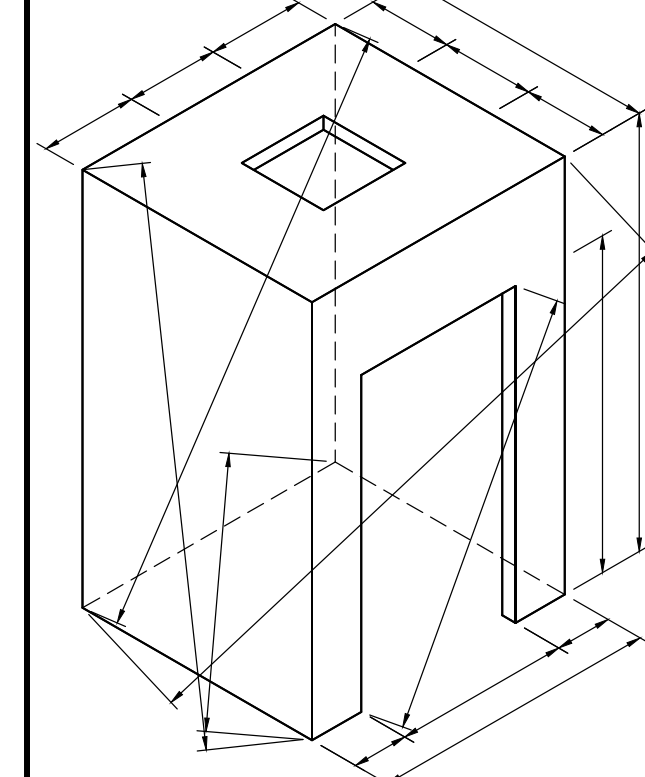
DRAWING REVISIONS				
DATE	DESCRIPTION	REVISED BY	COMMENTS	
1				
2				
3				
4				
5				
6				
7				
8				
9				
10				

RELEASES FOR FABRICATION	
DATE	DESCRIPTION

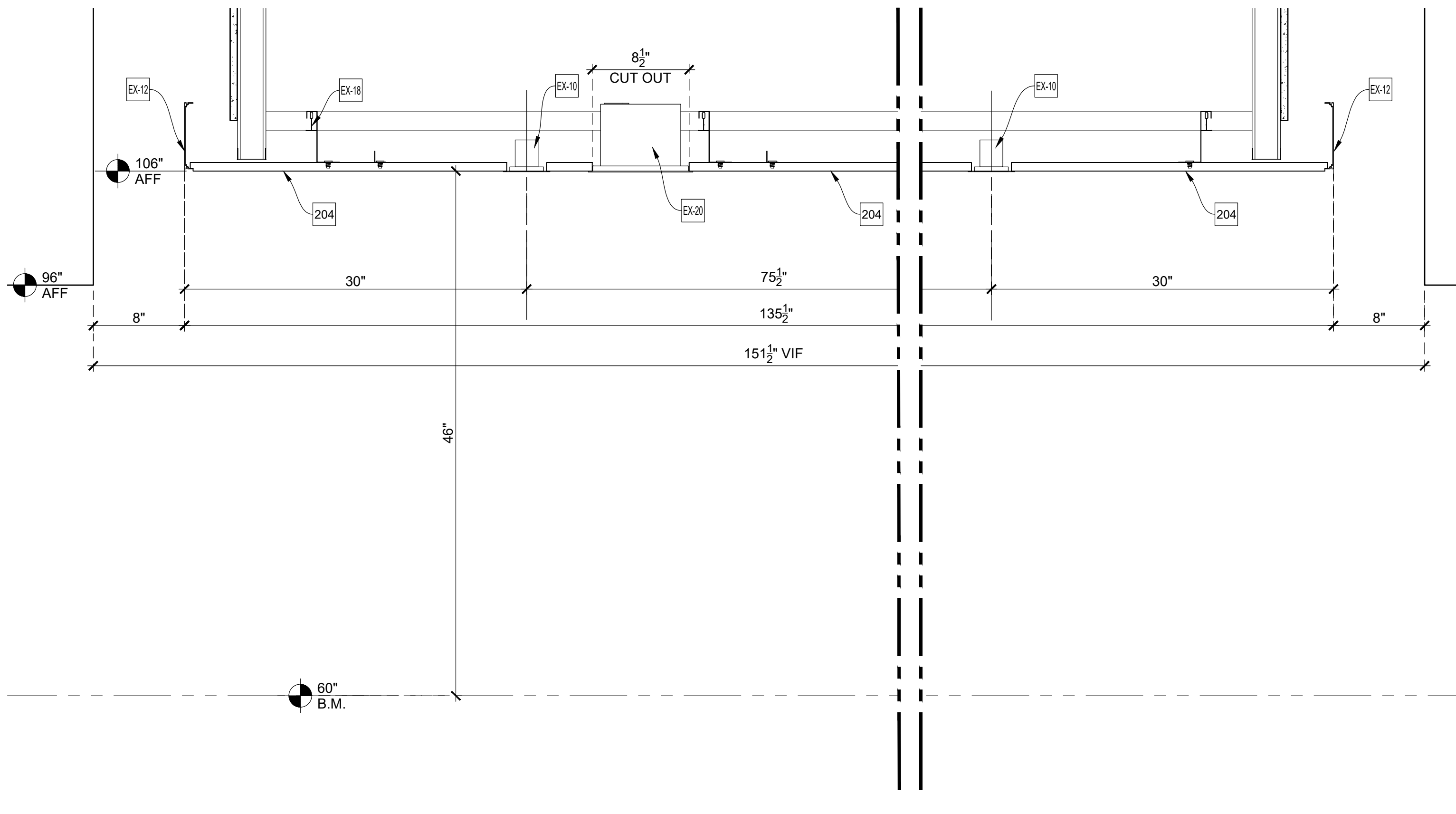
TITLE:
 ITEM NO:
 DESC.: PLAN AND VERTICAL SECTIONS
 DESC.: MEETING 4-25
 By: PD Scale: As Noted Job No. Dwg. No.
 Status: In Submittal Review Date: 2018-10-11 **16-07**

[Back](#)

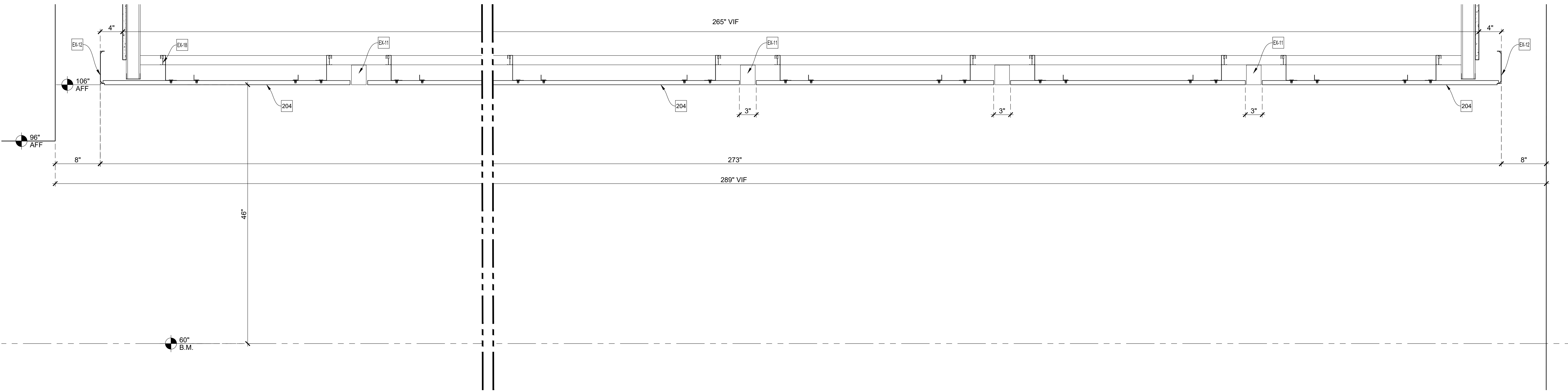
LOADING DOCK ELEVATOR



16E
16-08
REFLECTED CEILING PLAN
SCALE: 1/2" = 1'-0"
Arch'l Ref.: 1/A-403, 2/A617



16-08
VERTICAL SECTION
SCALE: 1-1/2" = 1'-0"
Arch'l Ref.: 3.5/A-657



M
16-08
VERTICAL SECTION
SCALE: 1-1/2" = 1'-0"
Arch'l Ref.: 4.9/A-658

Loose to field
Fixed in shop

SPACE
FRAME
FOR FINISH
SCHEDULE

- EXCLUSIONS:**
- EX-3 SHADOW LINE MOLDING
 - EX-10 LIGHT FIXTURE LUCIFER LIGHTNING (LA-114)
 - EX-11 LIGHT FIXTURE OCLUA1-CINA (LA-113)
 - EX-12 PERIMETER TRIM
 - EX-13 LIGHT FIXTURE USAI 3153 AC1 (LA-1038)
 - EX-14 SOUND MASKING SYSTEM, LENCORE, SPECTRA I NET
 - EX-15 CEILING MOUNTED MICROPHONE, BASIS OF DESIGN, AUDIX W3W
 - EX-16 SPRINKLER HEAD
 - EX-17 OCCUPANCY SENSOR
 - EX-18 HEAVY DUTY T-BAR
 - EX-20 CEILING MOUNTED SPEAKER (S)
 - EX-21 CEILING MOUNTED DUAL-TECHNOLOGY VACANCY SENSOR (VS)

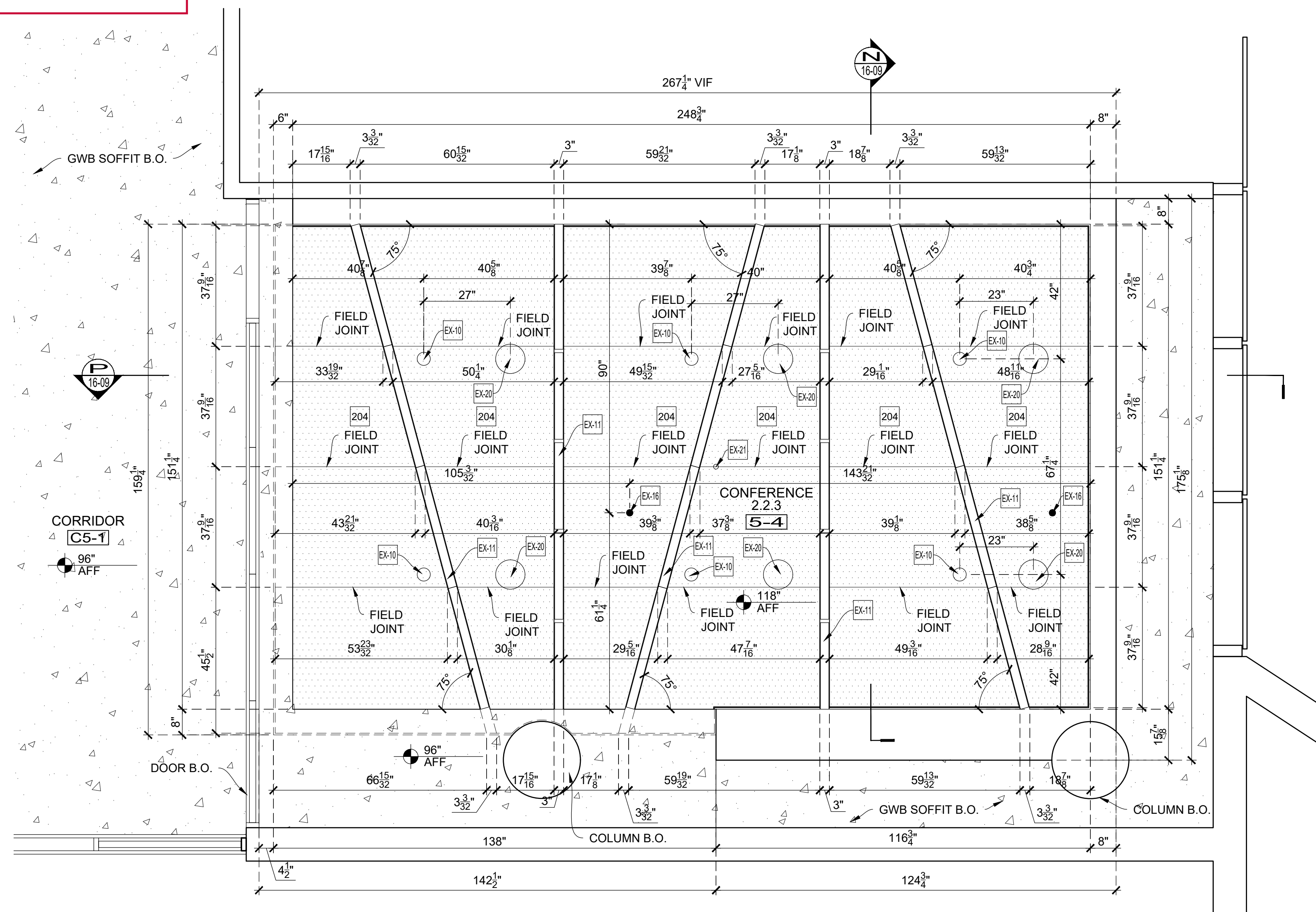
DRAWING SUBMITTALS AND RETURNS			
DATE	PURPOSE	TO	RETURN STATUS

DRAWING REVISIONS			
DATE	DESCRIPTION	REVISED BY	COMMENTS
1			
2			
3			
4			
5			
6			
7			
8			
9			
10			

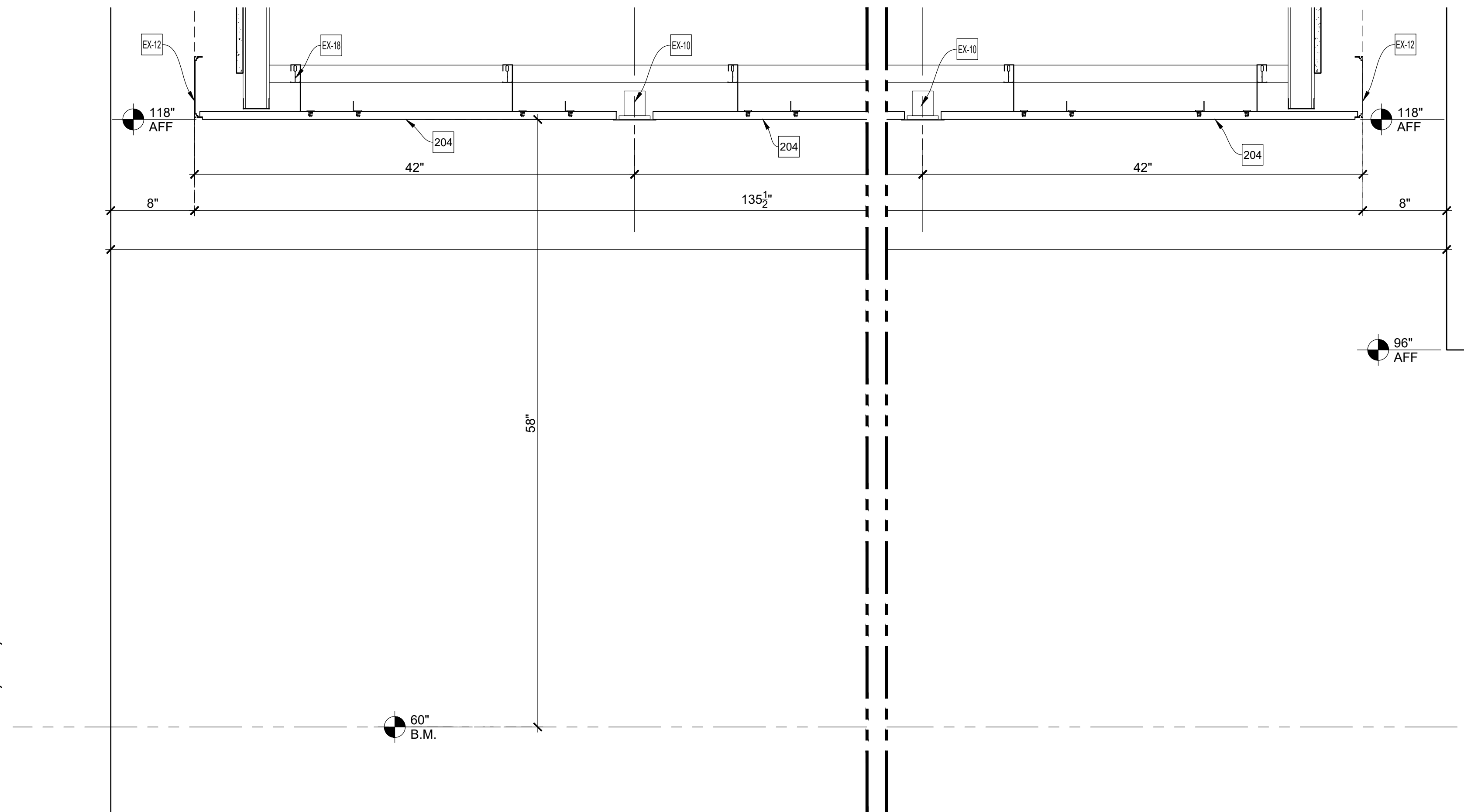
RELEASES FOR FABRICATION	
DATE	DESCRIPTION

TITLE:
ITEM NO:
DESC.: PLAN AND VERTICAL SECTIONS
DESC.: MEETING 4-2
By: PD Scale: As Noted Job No. Dwg. No.
Status: In Submittal Review Date: 2018-10-11 **16-08**

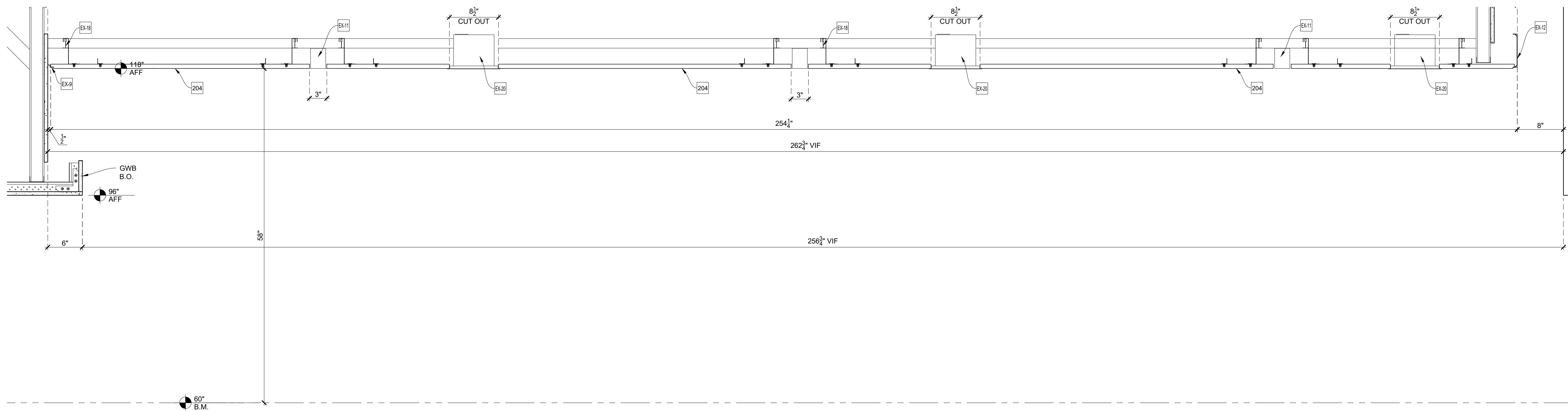
[← Back](#)



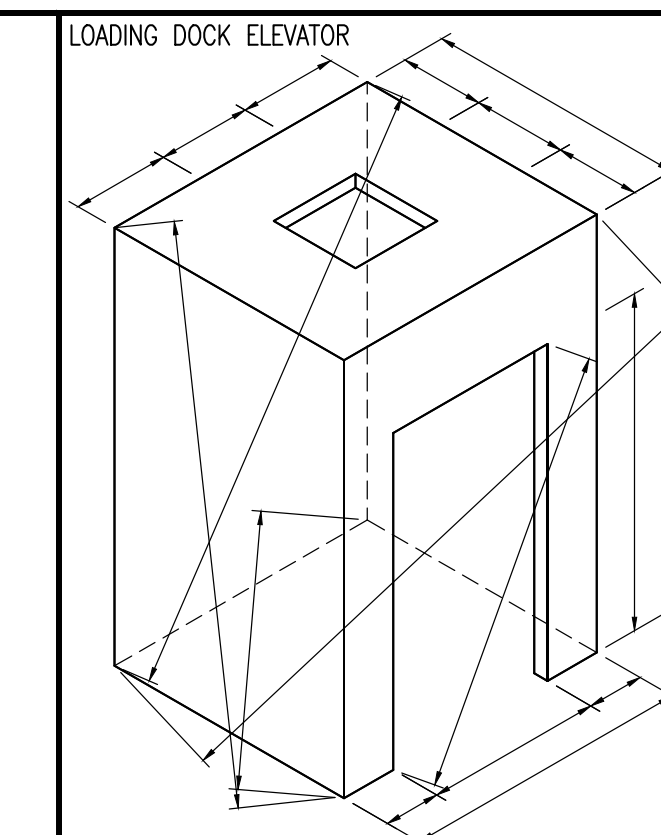
16-09 REFLECTED CEILING PLAN
 SCALE: 1/2" = 1'-0"
 Archt Ref: 1/A-405, 1/A617



16-09 VERTICAL SECTION
 SCALE: 1-1/2" = 1'-0"
 Archt Ref: 3,5/A-657



16-09 VERTICAL SECTION
 SCALE: 1-1/2" = 1'-0"
 Archt Ref: 4,9/A-656



LOADING DOCK ELEVATOR
 ☒ Loose to field
 ☒ Fixed in shop

EXCLUSIONS:

- EX-3 SHADOW LINE MOLDING
- EX-10 LIGHT FIXTURE LUCIFER LIGHTNING (LA-114)
- EX-11 LIGHT FIXTURE OCLUA1-CINA (LA-113)
- EX-12 PERIMETER TRIM
- EX-13 LIGHT FIXTURE USAI 3153 AC1 (LA-1038)
- EX-14 SOUND MASKING SYSTEM, LENCORE, SPECTRA I NET
- EX-15 CEILING MOUNTED MICROPHONE, BASIS OF DESIGN, AUDIX W3W
- EX-16 SPRINKLER HEAD
- EX-17 OCCUPANCY SENSOR
- EX-18 HEAVY DUTY T-BAR
- EX-20 CEILING MOUNTED SPEAKER (S)
- EX-21 CEILING MOUNTED DUAL-TECHNOLOGY VACANCY SENSOR (VS)

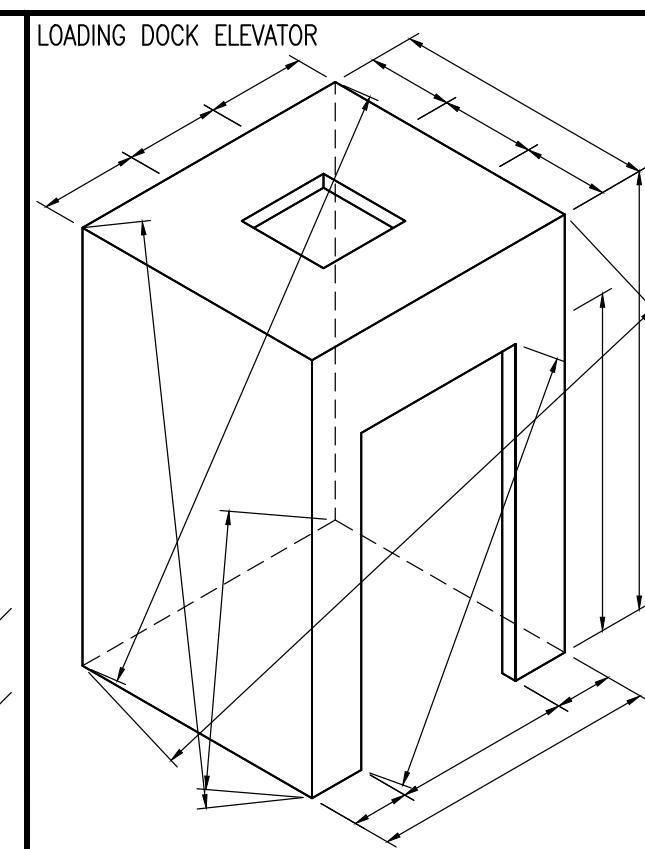
DRAWING SUBMITTALS AND RETURNS				
DATE	PURPOSE	TO	RETURN	RETURN STATUS

DRAWING REVISIONS				
DATE	DESCRIPTION	REVISED BY	COMMENTS	
1				
2				
3				
4				
5				
6				
7				
8				
9				
10				

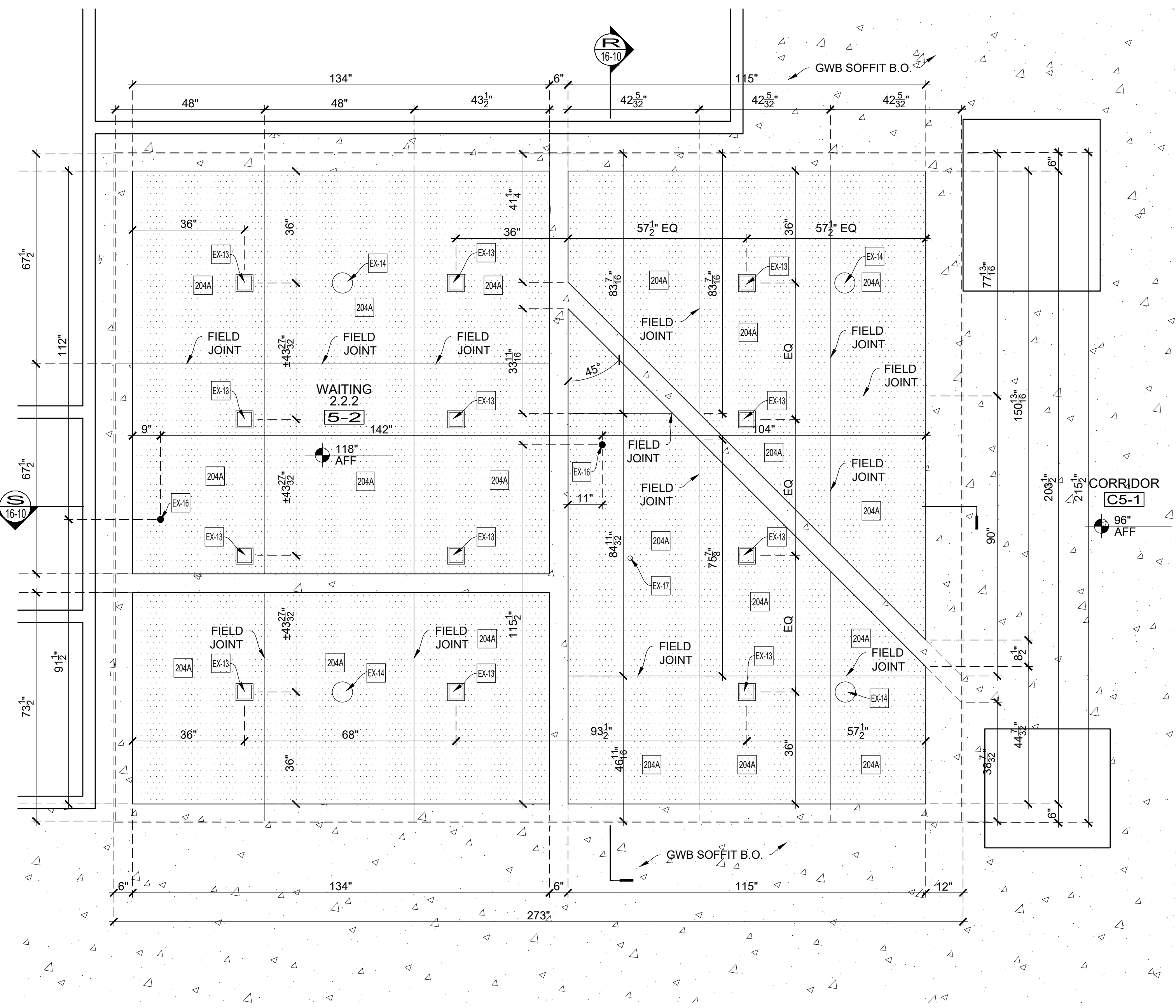
RELEASES FOR FABRICATION	
DATE	DESCRIPTION

TITLE:
 ITEM NO:
 DESC.: PLAN AND VERTICAL SECTIONS
 CONFERENCE 5-4
 By: PD Scale: As Noted Job No. Dwg. No.
 Status: In Submittal Review Date: 2018-10-11 **16-09**

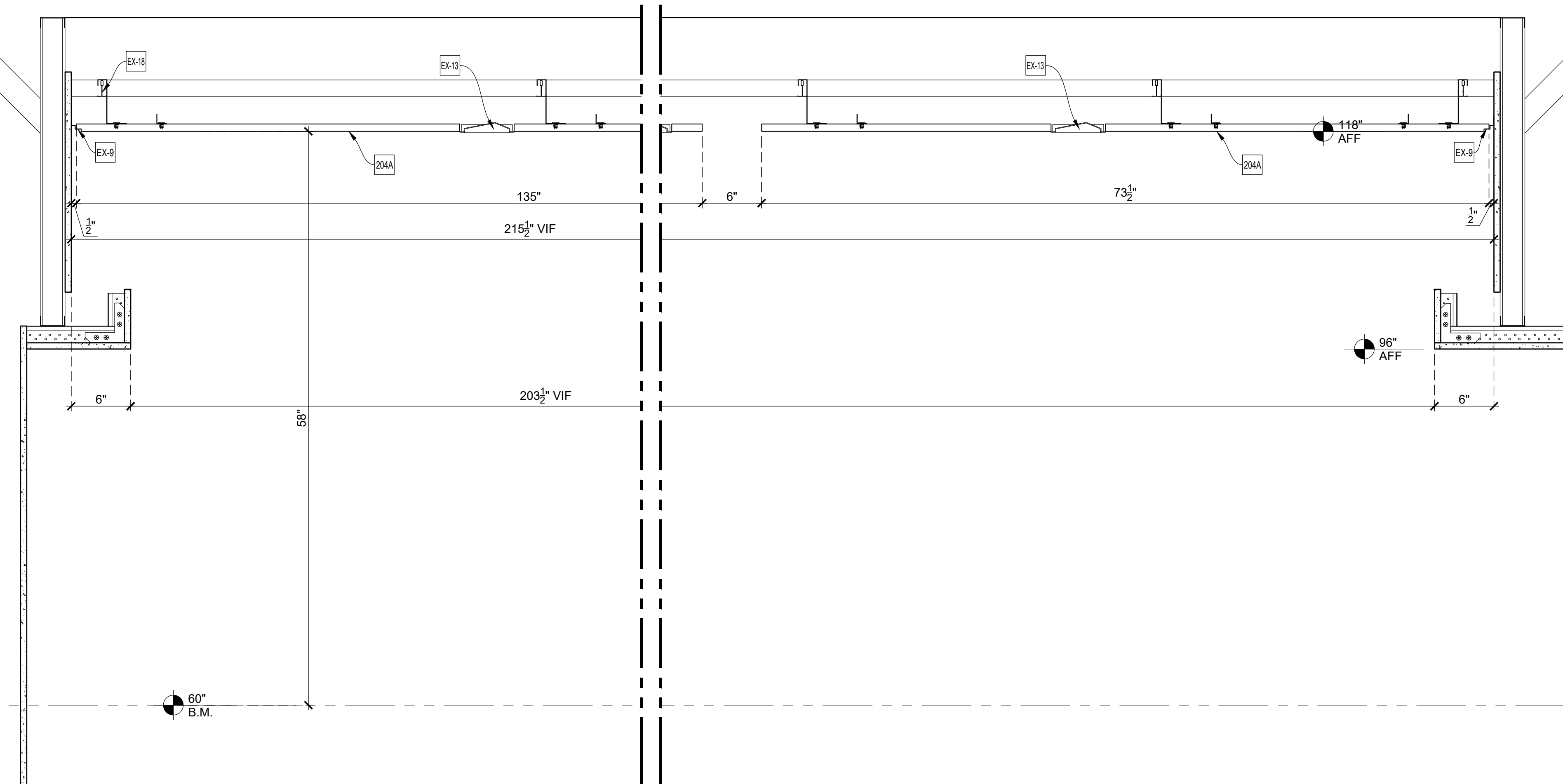
< Back



Loose to field
Fixed in shop



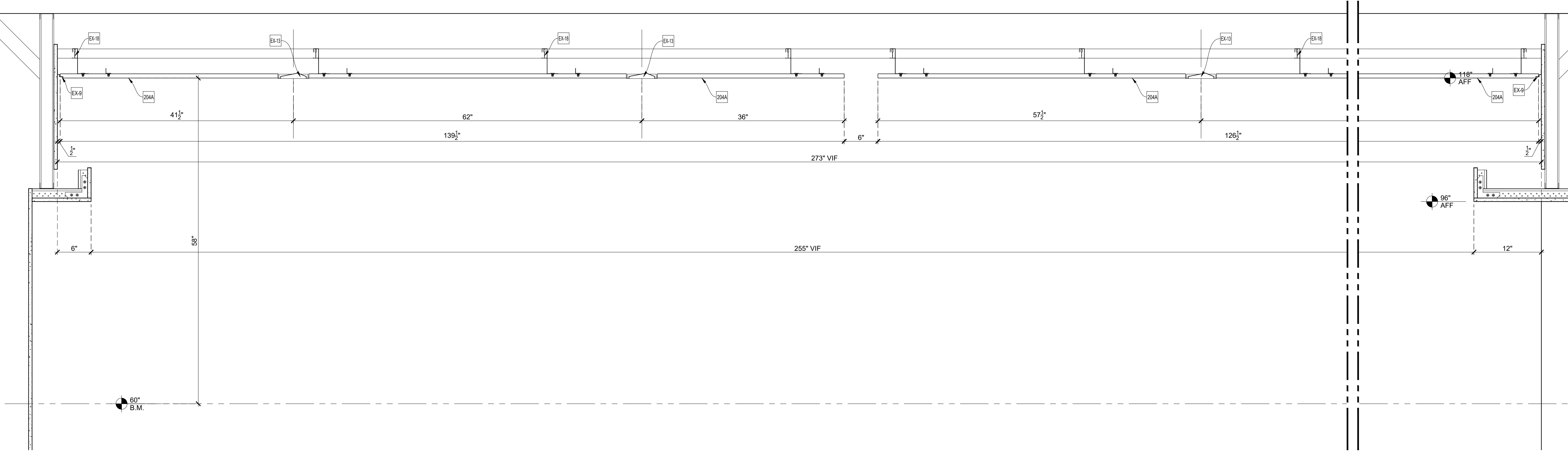
16C REFLECTED CEILING PLAN
SCALE: 1/2" = 1'-0"
Arch't Ref.: 1/A-405, 1/A617



16R VERTICAL SECTION
SCALE: 1-1/2" = 1'-0"
Arch't Ref.: 2.7/A-656

EXCLUSIONS:

EX-3	SHADOW LINE MOLDING
EX-10	LIGHT FIXTURE LUCIFER LIGHTNING (LA-114)
EX-11	LIGHT FIXTURE OCL-U1-CINA (LA-113)
EX-12	PERIMETER TRIM
EX-13	LIGHT FIXTURE USAI 3153 AC1 (LA-1038)
EX-14	SOUND MASKING SYSTEM, LENCORE, SPECTRA I NET
EX-15	CEILING MOUNTED MICROPHONE, BASIS OF DESIGN, AUDIX W3W
EX-16	SPRINKLER HEAD
EX-17	OCCUPANCY SENSOR
EX-18	HEAVY DUTY T-BAR
EX-20	CEILING MOUNTED SPEAKER (S)
EX-21	CEILING MOUNTED DUAL-TECHNOLOGY VACANCY SENSOR (VS)



16S VERTICAL SECTION
SCALE: 1-1/2" = 1'-0"
Arch't Ref.: 2.7/A-656

DRAWING SUBMITTALS AND RETURNS

DATE	PURPOSE	TO	RETURN	RETURN STATUS

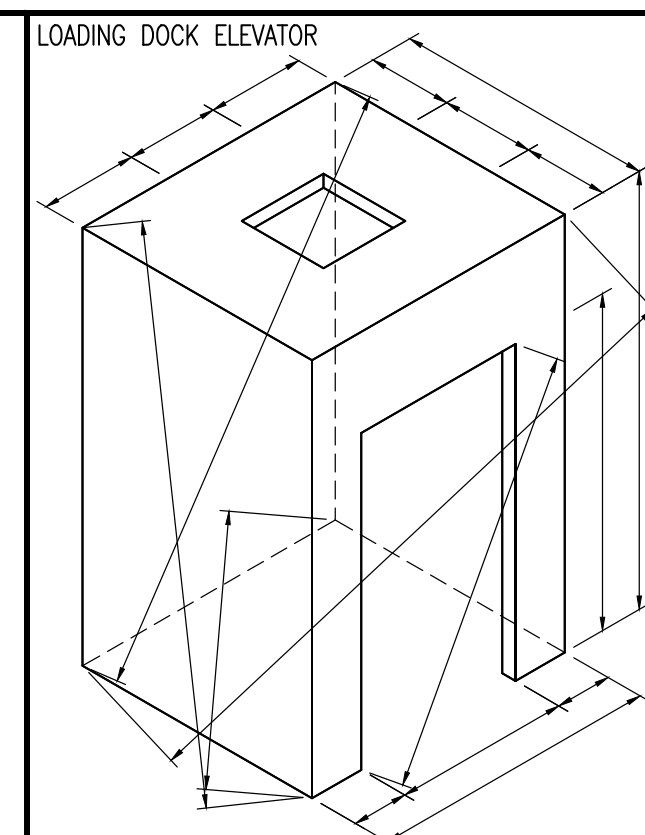
DRAWING REVISIONS

DATE	DESCRIPTION	REVISED BY	COMMENTS
1			
2			
3			
4			
5			
6			
7			
8			
9			
10			

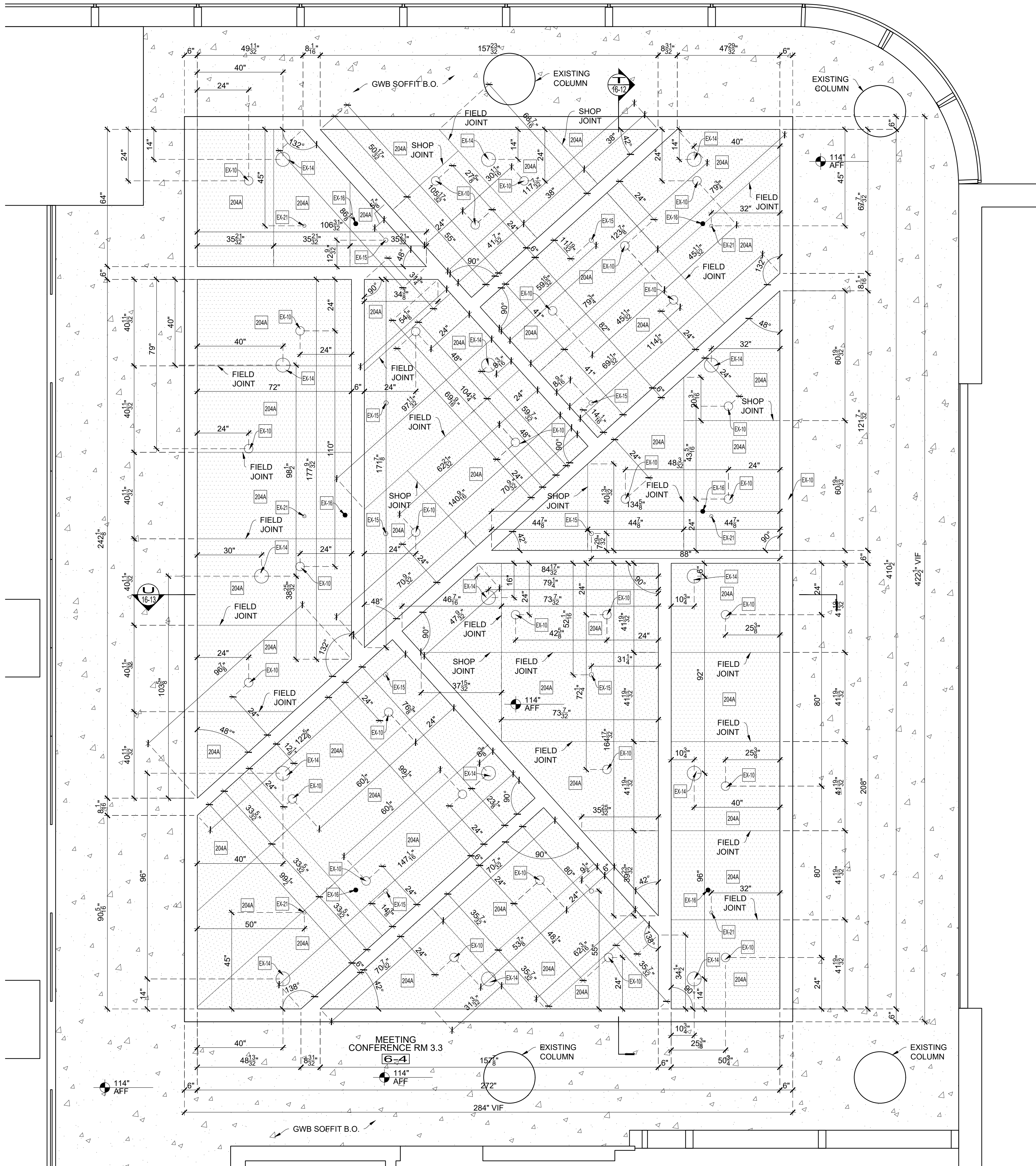
RELEASES FOR FABRICATION

DATE	DESCRIPTION

TITLE:
ITEM NO:
DESC: PLAN AND VERTICAL SECTIONS
DESC: WAITING 5-2
By: PD Scale: As Noted Job No. Dwg. No.
Status: In Submittal Review Date: 2018-10-11 16-10



Loose to field
Fixed in shop



SPACE FOR FUTURE STUDY

EXCLUSIONS:

EX-3	SHADOW LINE MOLDING
EX-10	LIGHT FIXTURE LUCIFER LIGHTNING (LA-114)
EX-11	LIGHT FIXTURE OCLUA1-CINA (LA-113)
EX-12	PERIMETER TRIM
EX-13	LIGHT FIXTURE USAI 3153 AC1 (LA-1038)
EX-14	SOUND MASKING SYSTEM, LENCORE, SPECTRA I NET
EX-15	CEILING MOUNTED MICROPHONE, BASIS OF DESIGN, AUDIX W3W
EX-16	SPRINKLER HEAD
EX-17	OCCUPANCY SENSOR
EX-18	HEAVY DUTY T-BAR
EX-20	CEILING MOUNTED SPEAKER (S)
EX-21	CEILING MOUNTED DUAL-TECHNOLOGY VACANCY SENSOR (VS)

DRAWING SUBMITTALS AND RETURNS

DATE	PURPOSE	TO	RETURN	RETURN STATUS

DRAWING REVISIONS

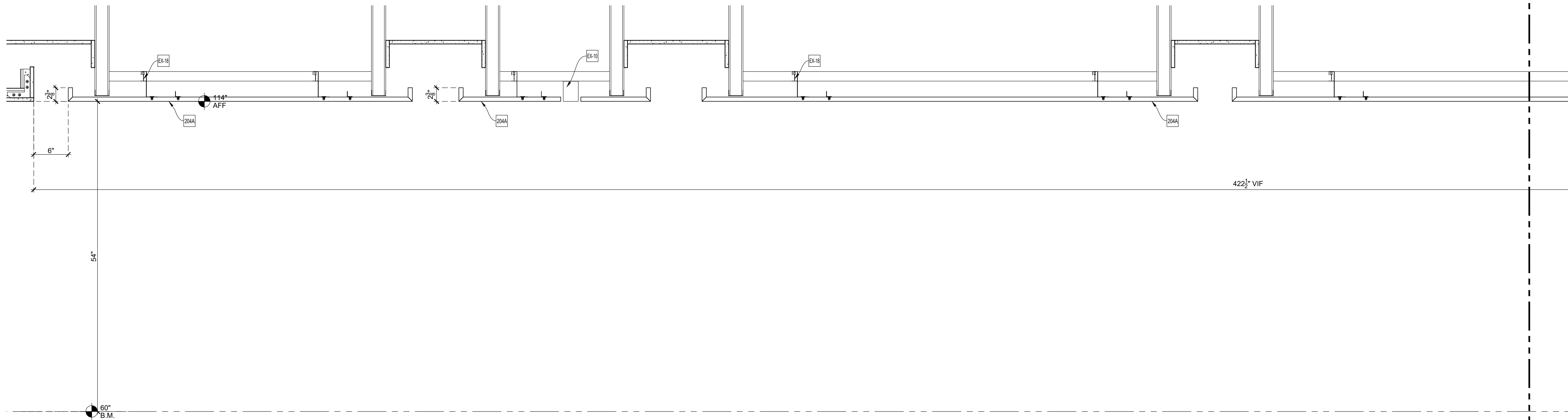
DATE	DESCRIPTION	REVISED BY	COMMENTS
1			
2			
3			
4			
5			
6			
7			
8			
9			
10			

RELEASES FOR FABRICATION

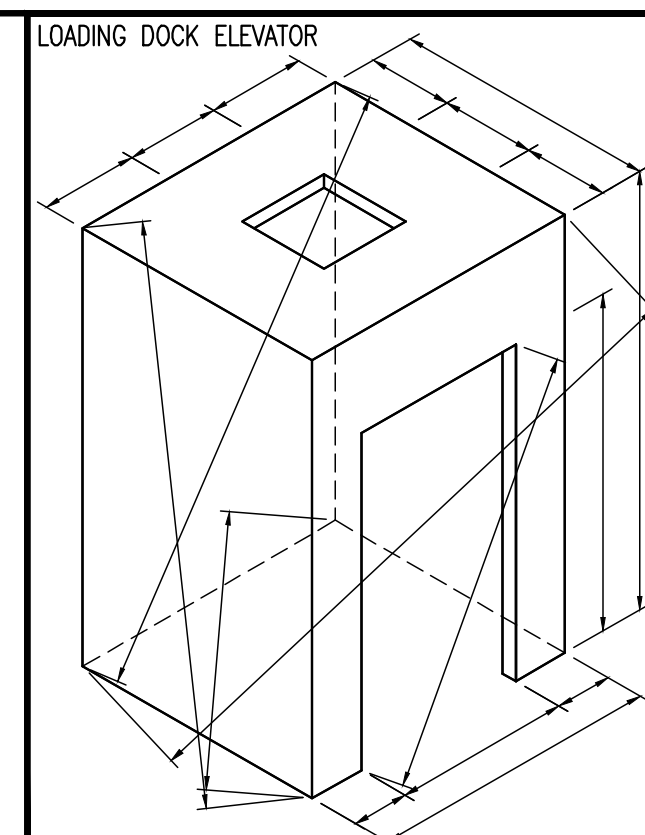
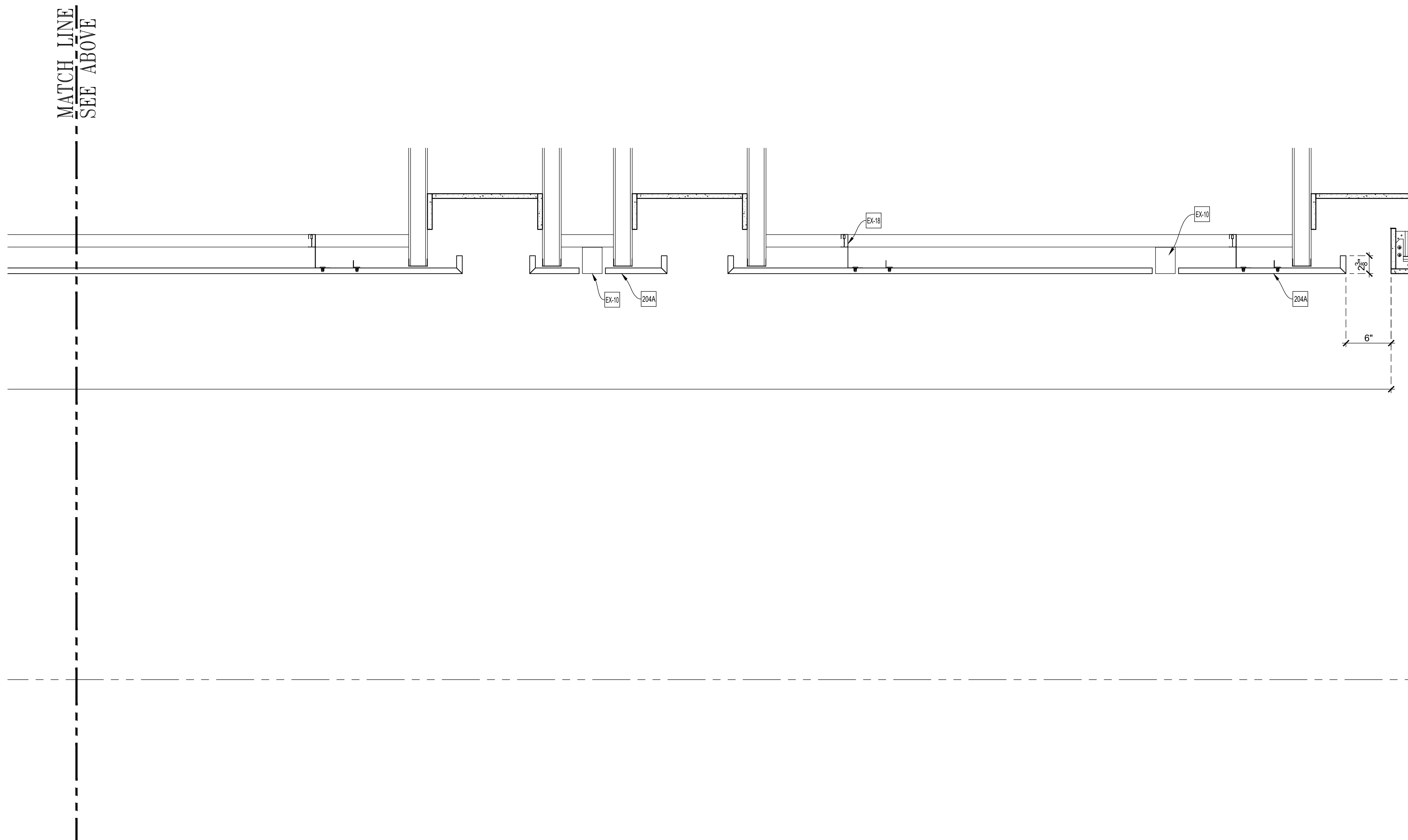
DATE	DESCRIPTION

TITLE:
ITEM NO:
DESC.: PLAN
DESC: MEETING/CONFERENCE RM 6-4
By: PD Scale: As Noted Job No. Dwg. No.
Status: In Submittal Review Date: 2018-10-11 **16-11**

< Back



16-12 VERTICAL SECTION
SCALE: 1/12" = 1'-0"
Arch Ref: 4A-657



LOADING DOCK ELEVATOR
 ☒ Loose to field
 ☒ Fixed in shop

THIS SPACE
 IS RESERVED
 FOR FINISH
 SCHEDULE

EXCLUSIONS:

EX-3	SHADOW LINE MOLDING
EX-10	LIGHT FIXTURE LUCIFER LIGHTNINGS (LA-114)
EX-11	LIGHT FIXTURE OCL-UJ1-CINA (LA-113)
EX-12	PERIMETER TRIM
EX-13	LIGHT FIXTURE USAI 3153 AC1 (LA-1038)
EX-14	SOUND MASKING SYSTEM LENCORE, SPECTRA I NET
EX-15	CEILING MOUNTED MICROPHONE, BASIS OF DESIGN, AUDIX W3W
EX-16	SPRINKLER HEAD
EX-17	OCCUPANCY SENSOR
EX-18	HEAVY DUTY T-BAR
EX-20	CEILING MOUNTED SPEAKER (S)
EX-21	CEILING MOUNTED DUAL-TECHNOLOGY VACANCY SENSOR (VS)

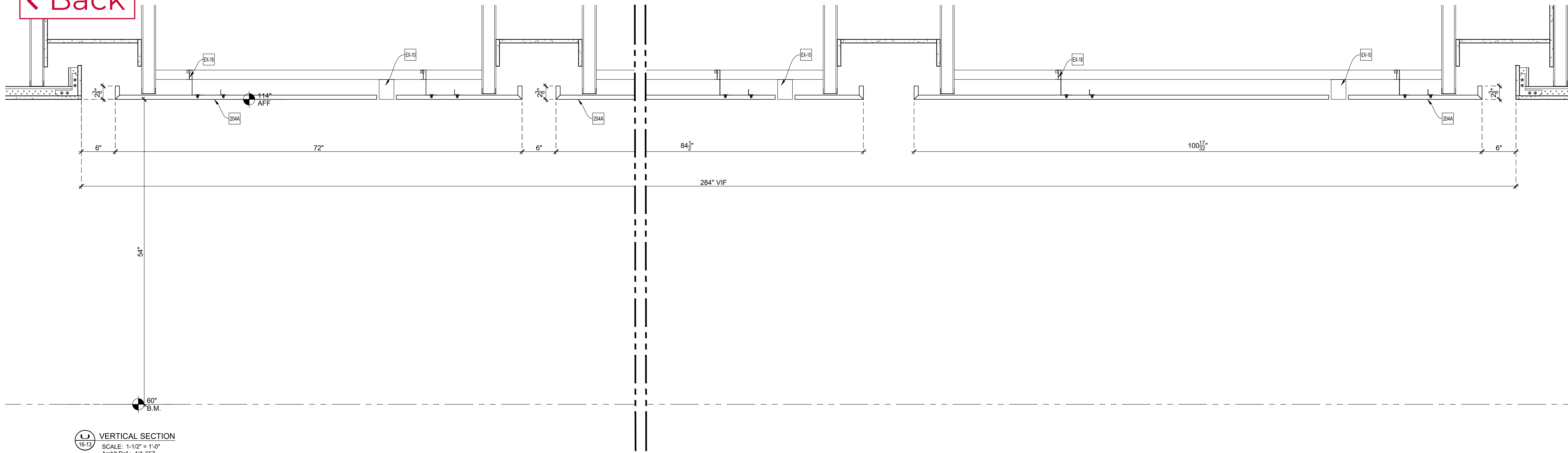
DRAWING SUBMITTALS AND RETURNS				
DATE	PURPOSE	TO	RETURN	RETURN STATUS

DRAWING REVISIONS				
DATE	DESCRIPTION	REVISED BY	COMMENTS	
1				
2				
3				
4				
5				
6				
7				
8				
9				
10				

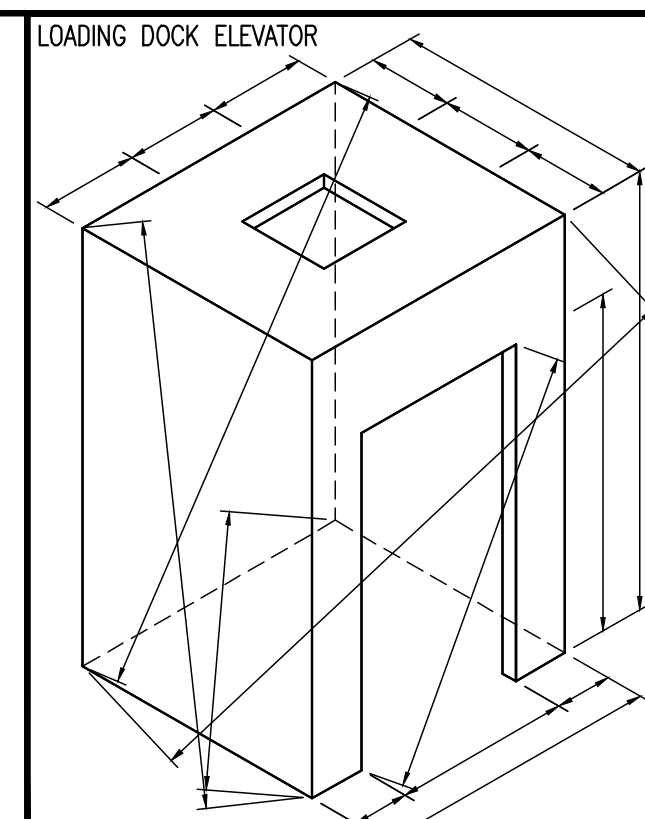
RELEASES FOR FABRICATION	
DATE	DESCRIPTION

TITLE:
 ITEM NO:
 DESC.: VERTICAL SECTIONS
 DESC.: MEETING/CONFERENCE RM 16-4
 By: PD Scale: As Noted Job No. Dwg. No.
 Status: In Submittal Review Date: 2018-10-11 16-12

[← Back](#)



VERTICAL SECTION
 SCALE: 1-1/2" = 1'-0"
 Archt Ref.: 4/A-657



— Loose to field
 — Fixed in shop

THIS SPACE
 IS RESERVED
 FOR FINISH
 SCHEDULE

EXCLUSIONS:

EX-3	SHADOW LINE MOLDING
EX-10	LIGHT FIXTURE LUCIFER LIGHTNINGS (LA-114)
EX-11	LIGHT FIXTURE OCL-UJ1-CINA (LA-113)
EX-12	PERIMETER TRIM
EX-13	LIGHT FIXTURE USAI 3153 AC1 (LA-1038)
EX-14	SOUND MASKING SYSTEM LENCORE, SPECTRA I NET
EX-15	CEILING MOUNTED MICROPHONE, BASIS OF DESIGN, AUDIX W3W
EX-16	SPRINKLER HEAD
EX-17	OCCUPANCY SENSOR
EX-18	HEAVY DUTY T-BAR
EX-20	CEILING MOUNTED SPEAKER (S)
EX-21	CEILING MOUNTED DUAL-TECHNOLOGY VACANCY SENSOR (VS)

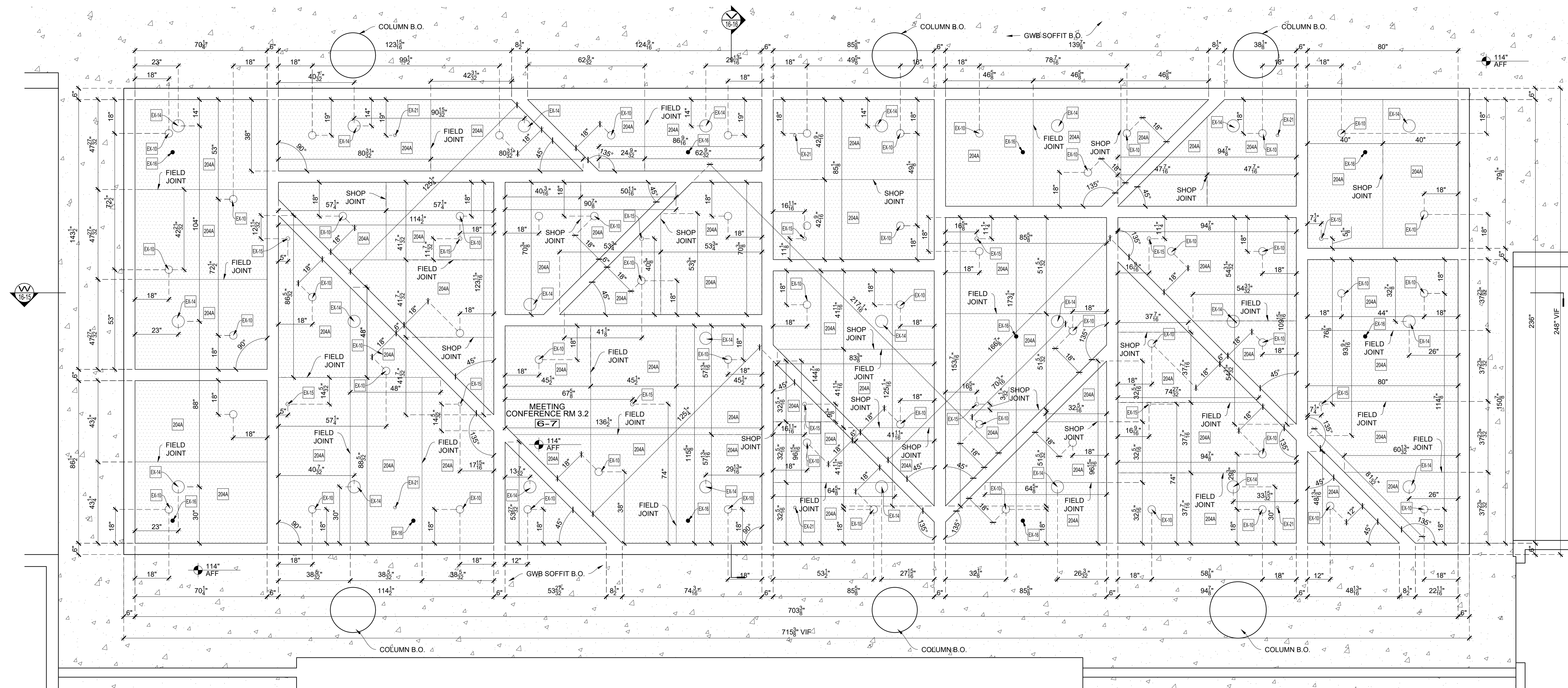
DRAWING SUBMITTALS AND RETURNS				
DATE	PURPOSE	TO	RETURN	RETURN STATUS

DRAWING REVISIONS				
DATE	DESCRIPTION	REVISED BY		COMMENTS
1				
2				
3				
4				
5				
6				
7				
8				
9				
10				

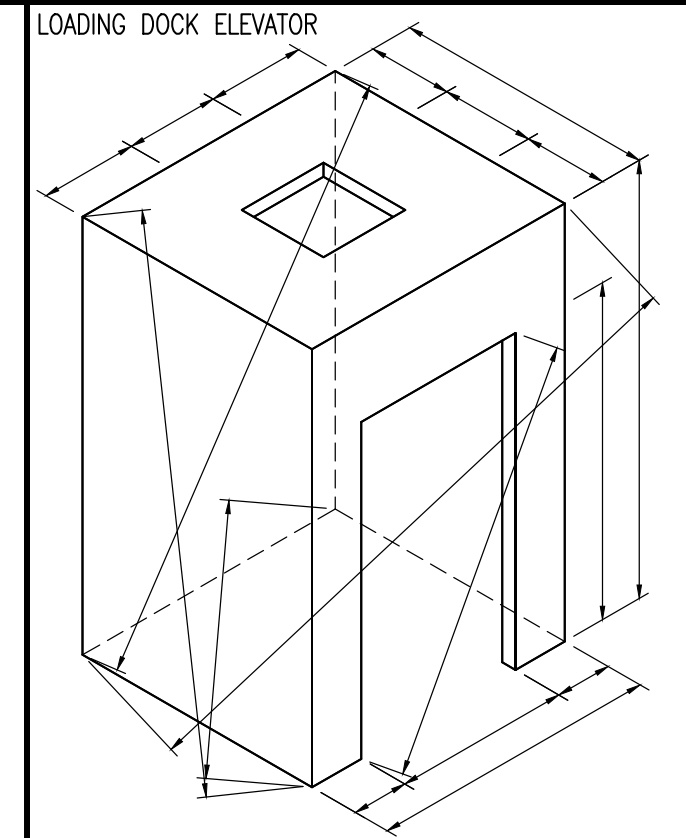
RELEASES FOR FABRICATION	
DATE	DESCRIPTION

TITLE:
 ITEM NO:
 DESC.: VERTICAL SECTION
 DESC.: MEETING/CONFERENCE RM 16-4
 By: PD Scale: As Noted Job No. Dwg. No.
 Status: In Submittal Review Date: 2018-10-11 **16-13**

[← Back](#)



16-J REFLECTED CEILING PLAN
 SCALE: 1/2" = 1'-0"
 Archt Ref.: 2/A-405, 2/A618



Loose in field
 Fixed in shop

- EXCLUSIONS:**
- EX-3 SHADOW LINE MOLDING
 - EX-10 LIGHT FIXTURE LUCIFER LIGHTNING (LA-114)
 - EX-11 LIGHT FIXTURE OCLUA1-CINA (LA-113)
 - EX-12 PERIMETER TRIM
 - EX-13 LIGHT FIXTURE USAI 3153 AC1 (LA-1038)
 - EX-14 SOUND MASKING SYSTEM, LENCORE, SPECTRA I NET
 - EX-15 CEILING MOUNTED MICROPHONE, BASIS OF DESIGN, AUDIX W3W
 - EX-16 SPRINKLER HEAD
 - EX-17 OCCUPANCY SENSOR
 - EX-18 HEAVY DUTY T-BAR
 - EX-20 CEILING MOUNTED SPEAKER (S)
 - EX-21 CEILING MOUNTED DUAL-TECHNOLOGY VACANCY SENSOR (VS)

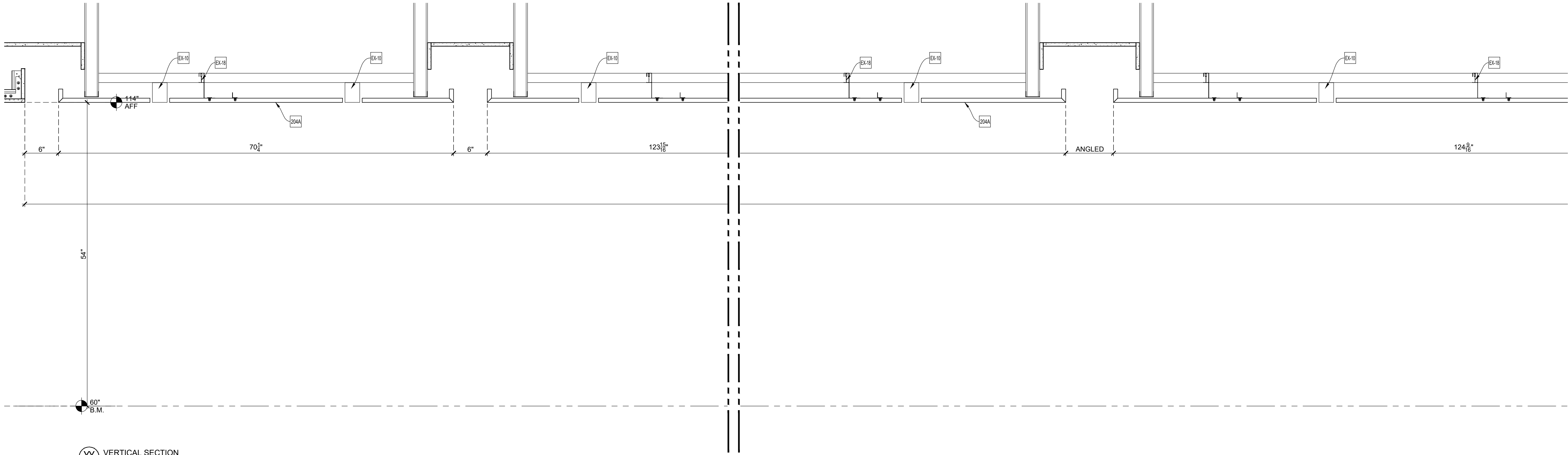
DRAWING SUBMITTALS AND RETURNS				
DATE	PURPOSE	TO	RETURN	RETURN STATUS

DRAWING REVISIONS			
DATE	DESCRIPTION	REVISED BY	COMMENTS
1			
2			
3			
4			
5			
6			
7			
8			
9			
10			

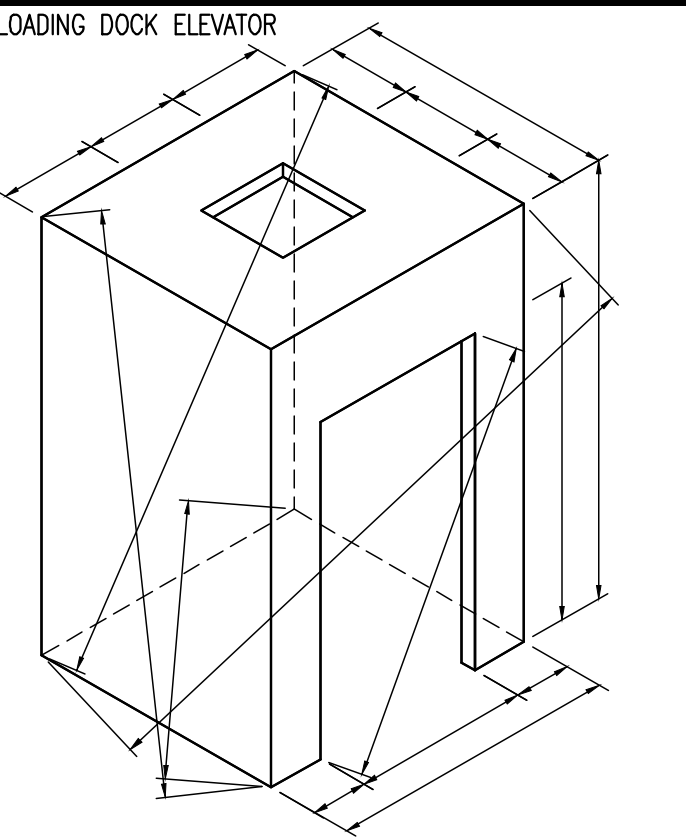
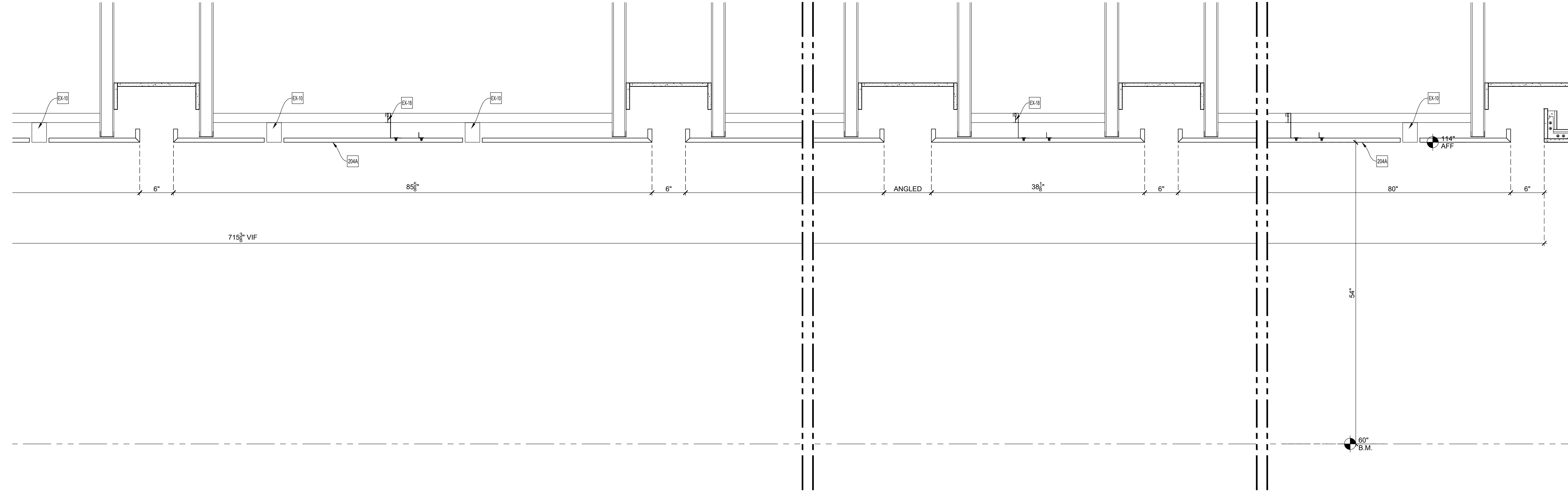
RELEASES FOR FABRICATION	
DATE	DESCRIPTION

TITLE:
 ITEM NO:
 DESC.: PLAN
 DESC.: MEETING/CONFERENCE RM 6-7
 By: PD Scale: As Noted Job No. Dwg. No.
 Status: In Submittal Review Date: 2018-10-11 **16-14**

< Back



VERTICAL SECTION
SCALE: 1-1/2" = 1'-0"
Arch't Ref.: 4/A-657



LOADING DOCK ELEVATOR
 ☒ Loose to field
 ☒ Fixed in shop

THIS SPACE
 IS RESERVED
 FOR FINISH
 SCHEDULE

EXCLUSIONS:

EX-3	SHADOW LINE MOLDING
EX-10	LIGHT FIXTURE LUCIFER LIGHTNINGS (LA-114)
EX-11	LIGHT FIXTURE OCLUJA1-CINA (LA-113)
EX-12	PERIMETER TRIM
EX-13	LIGHT FIXTURE USAI 3153 AC1 (LA-1038)
EX-14	SOUND MASKING SYSTEM LENCORE SPECTRA I NET
EX-15	CEILING MOUNTED MICROPHONE BASIS OF DESIGN AUDIX WSW
EX-16	SPRINKLER HEAD
EX-17	OCCUPANCY SENSOR
EX-18	HEAVY DUTY T-BAR
EX-20	CEILING MOUNTED SPEAKER (S)
EX-21	CEILING MOUNTED DUAL-TECHNOLOGY VACANCY SENSOR (VS)

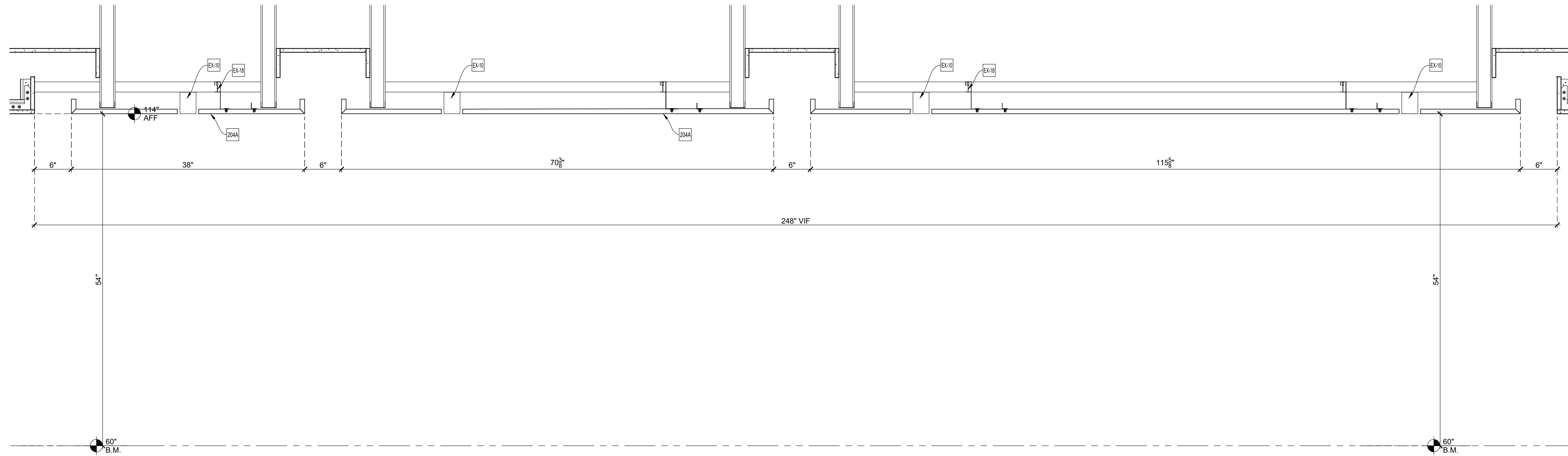
DRAWING SUBMITTALS AND RETURNS				
DATE	PURPOSE	TO	RETURN	RETURN STATUS

DRAWING REVISIONS				
DATE	DESCRIPTION	REVISED BY	COMMENTS	
1				
2				
3				
4				
5				
6				
7				
8				
9				
10				

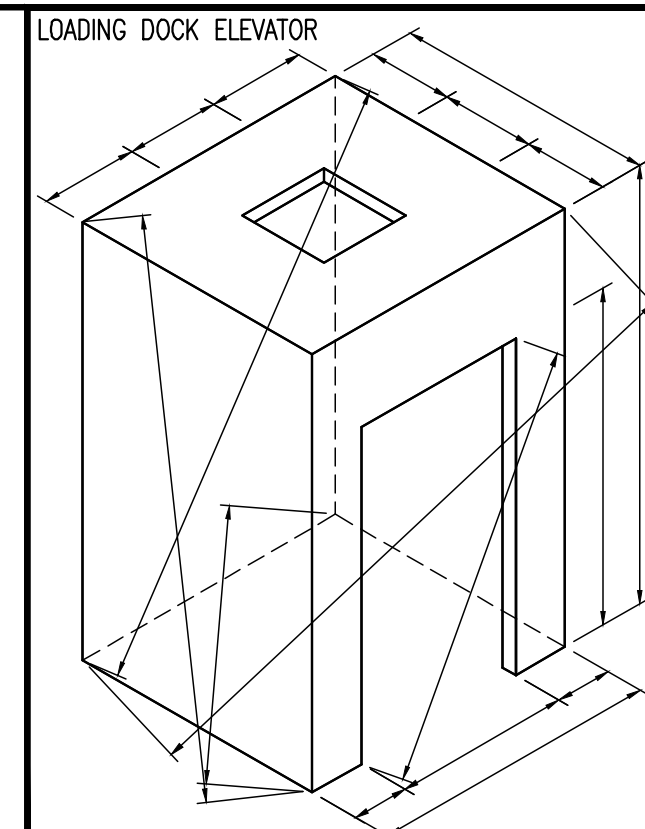
RELEASES FOR FABRICATION	
DATE	DESCRIPTION

TITLE:
 ITEM NO:
 DESC.: VERTICAL SECTIONS
 MEETING/CONFERENCE RM 6-7
 By: PD Scale: As Noted Job No. Dwg. No.
 Status: In Submittal Review Date: 2018-10-11 16-15

[← Back](#)



16-16 VERTICAL SECTION
SCALE: 1-1/2" = 1'-0"
Arch Ref.: 4/A-657



Loose to field
Fixed in shop

THIS SPACE
RESERVED
FOR FINISH
SCHEDULE

EXCLUSIONS:

EX-9	SHADOW LINE MOLDING
EX-10	LIGHT FIXTURE LUCIFER LIGHTNINGS (LA-114)
EX-11	LIGHT FIXTURE OCL-UJ1-CINA (LA-113)
EX-12	PERIMETER TRIM
EX-13	LIGHT FIXTURE USAI 3153 AC1 (LA-1038)
EX-14	SOUND MASKING SYSTEM LENCORE, SPECTRA I NET
EX-15	CEILING MOUNTED MICROPHONE, BASIS OF DESIGN, AUDIX W3W
EX-16	SPRINKLER HEAD
EX-17	OCCUPANCY SENSOR
EX-18	HEAVY DUTY T-BAR
EX-20	CEILING MOUNTED SPEAKER (S)
EX-21	CEILING MOUNTED DUAL-TECHNOLOGY VACANCY SENSOR (VS)

DRAWING SUBMITTALS AND RETURNS				
DATE	PURPOSE	TO	RETURN	RETURN STATUS

DRAWING REVISIONS				
DATE	DESCRIPTION	REVISED BY		COMMENTS
1				
2				
3				
4				
5				
6				
7				
8				
9				
10				

RELEASES FOR FABRICATION	
DATE	DESCRIPTION

TITLE:
ITEM NO:
DESC.: VERTICAL SECTIONS
DESC.: MEETING/CONFERENCE RM 6-7
By: PD Scale: As Noted Job No. Dwg. No.
Status: In Submittal Review Date: 2018-10-11 16-16

< Back

MILLER BLAKER SUBMITTAL DRAWING CHECKLIST

BY	DATE	CHECKLIST FOR ORIGINAL DRAFTING	COMMENTS
		ARCHITECTURAL ELEVATIONS CHECKED AGAINST RCP FOR CEILING HEIGHTS AND SOFFITS	
		DRAWINGS CHECKED FOR INCLUSION OF ALL ITEMS IN SCOPE	
		NOTIFIED ENGINEERING MANAGER OF DISCREPANCIES BETWEEN SCOPE AND ARCHITECTURALS	
		MATERIALS CHECKED AGAINST SCOPE TO VERIFY WHETHER PROVIDED BY MB	
		ALL FINISHES ACCURATELY LISTED AND ASSIGNED TO DRAWING	
		ALL VISIBLE MILLWORK ELEVATED INCLUDING FINISHED END PANELS AND SOFFITS	
		ALL MARKERS AND TAGS CHECKED AND VERIFIED TO BE CORRECT	
		CASEWORK DRAWN PER MB STANDARDS WHEREVER POSSIBLE	
		APPLIANCES CHECKED AGAINST CUTS AND CUSTOM PANEL DRAWINGS CREATED AS NEEDED	
		DOOR HARDWARE SHOWN TO THE EXTENT POSSIBLE PER HARDWARE SCHEDULE AND CUTS	
		HARDWARE LOCATIONS DIMENSIONED OR REQUESTED FROM ENGINEERING MANAGER	
		TITLE BLOCK FILLED OUT COMPLETELY AND ACCURATELY - IE SHEET NUMBERS AND DESCRIPTIONS	
		ALL CABINET HARDWARE ACCURATELY LISTED INCLUDING FINISHES	
		ALL SPELLING CHECKED AND VERIFIED TO BE CORRECT	
		MODEL SPACE LEFT CLEAN OF UN-NEEDED GEOMETRY	
		NOTES REGARDING WATERPROOF CORES INCLUDED WHERE APPLICABLE	
		ELEVATIONS DRAWN WITH REFERENCES TO BENCHMARK	
		ALL ROUGH OPENINGS CLEARLY DIMENSIONED AND REFERENCED TO BENCHMARK	
		ALL DOORS BY MB TAGGED CORRECTLY IN MODELSPACE	
		ALL DOOR SWINGS VERIFIED TO BE SHOWN AND SCHEDULED CORRECTLY	

USE ATTRIBUTE EDIT COMMAND ON AN ITEM TO EDIT USERNAME, DATE, AND COMMENTS

✓	PD	2018-MM-DD	CHECKLIST ITEM	NO FOLLOW UP NEEDED
↓	PD	2018-MM-DD	CHECKLIST ITEM	NEEDS FOLLOW UP
✓	NA	NA	CHECKLIST ITEM	PD

Date Drawn:	X	X
Drawn by:	X	

